

US00D544910S

(12) **United States Design Patent**
Wang

(10) **Patent No.:** **US D544,910 S**

(45) **Date of Patent:** **** Jun. 19, 2007**

(54) **RIBBON CARTRIDGE FOR A THERMAL PRINTER**

(75) Inventor: **Le-Jen Wang**, Pan-Chiao (TW)

(73) Assignee: **Hi-Touch Imaging Technologies Co., Ltd.**, Pan-Chiao, Taipei Hsien (TW)

(**) Term: **14 Years**

(21) Appl. No.: **29/243,609**

(22) Filed: **Nov. 29, 2005**

(30) **Foreign Application Priority Data**

Aug. 9, 2005 (TW) 94304778

(51) **LOC (8) Cl.** **18-02**

(52) **U.S. Cl.** **D18/56**

(58) **Field of Classification Search** D18/12,
D18/40, 43, 56; D14/471, 481, 483; 347/178,
347/214; 399/110; 400/207-208, 208.1, 193-196,
400/196.1, 234-235, 235.1, 240.4, 242, 613
See application file for complete search history.

(56) **References Cited**

U.S. PATENT DOCUMENTS

- 4,160,605 A * 7/1979 Neubaum 400/208
- 4,978,240 A * 12/1990 Katsuno 347/214
- D327,495 S * 6/1992 Nagai D18/56
- D332,275 S * 1/1993 Katsuno D18/56
- 5,249,873 A * 10/1993 Okunomiya et al. 400/208
- D361,592 S * 8/1995 Niwano D18/56
- 5,620,265 A * 4/1997 Kondo 400/196
- 5,695,292 A * 12/1997 Coote 400/208.1

- 5,709,485 A * 1/1998 Kohno 400/208
- 5,719,616 A * 2/1998 Danjo et al. 347/214
- 5,984,546 A * 11/1999 Kameyama 400/208
- D418,860 S * 1/2000 Shimoyama et al. D18/12
- 6,962,451 B2 * 11/2005 Narita et al. 400/207
- D514,153 S * 1/2006 Tu D18/12
- 2004/0136766 A1 * 7/2004 Hayashi 400/242
- 2005/0084310 A1 * 4/2005 Funaki et al. 400/208

FOREIGN PATENT DOCUMENTS

- KR 30-2004-0025577 4/2005
- TW 00139897 8/1990

* cited by examiner

Primary Examiner—Cathy Anne MacCormac

(74) *Attorney, Agent, or Firm*—Winston Hsu

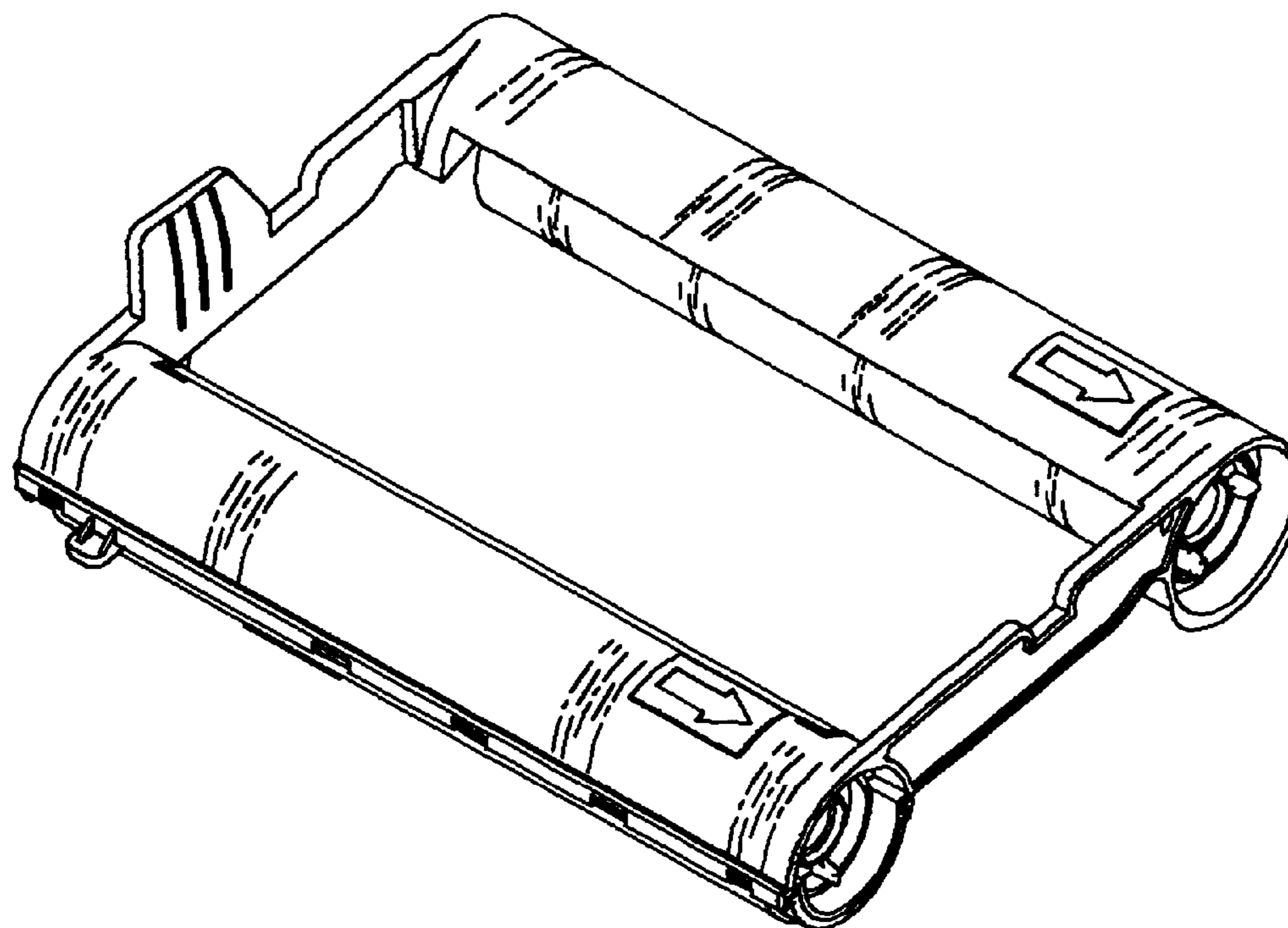
(57) **CLAIM**

The ornamental design for a ribbon cartridge for a thermal printer, as shown and described.

DESCRIPTION

FIG. 1 is a perspective view of a ribbon cartridge for a thermal printer;
 FIG. 2 is a front view thereof;
 FIG. 3 is a rear view thereof;
 FIG. 4 is a left view thereof;
 FIG. 5 is a right view thereof;
 FIG. 6 is a top plan view thereof; and,
 FIG. 7 is a bottom plan view thereof.
 The area within the center circles of the spools in FIG. 3 forms no part of the claimed design.

1 Claim, 7 Drawing Sheets



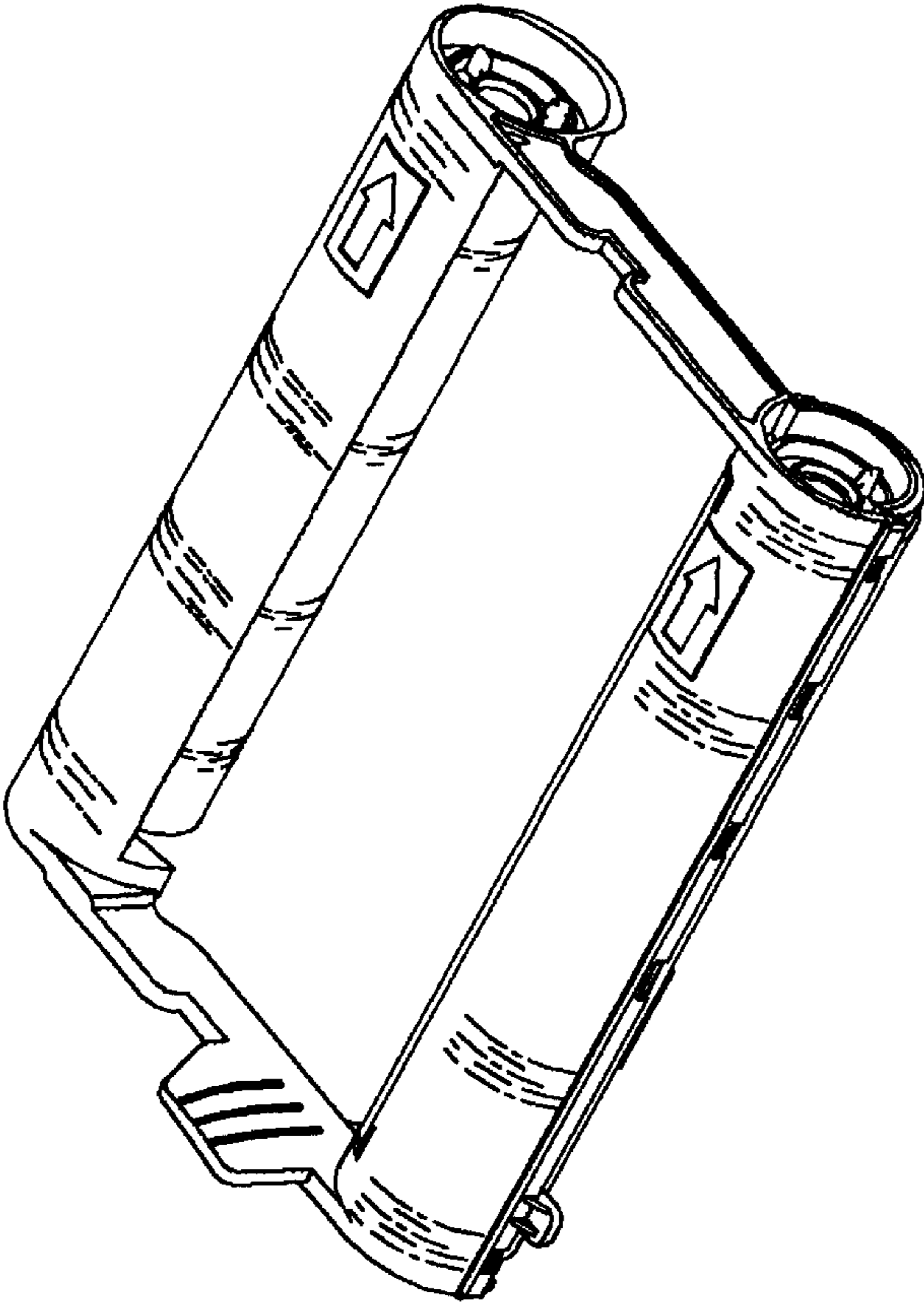


Fig. 1

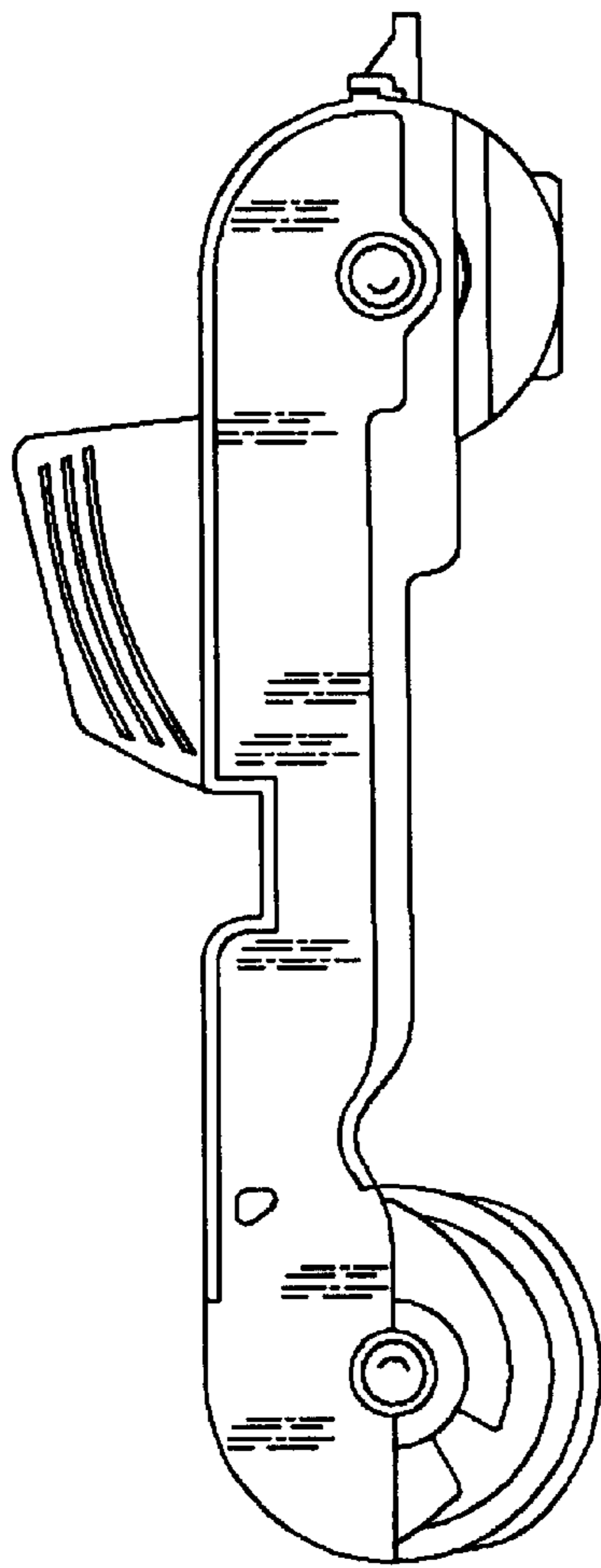


Fig. 2

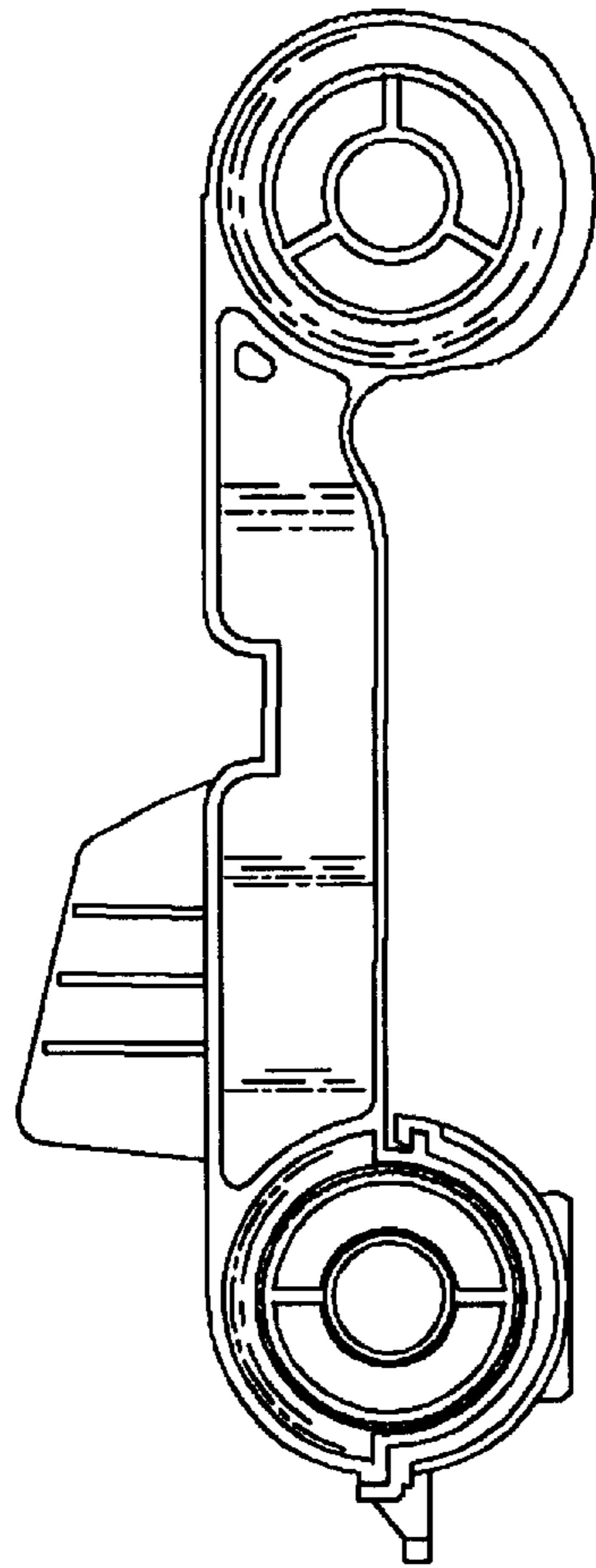


Fig. 3

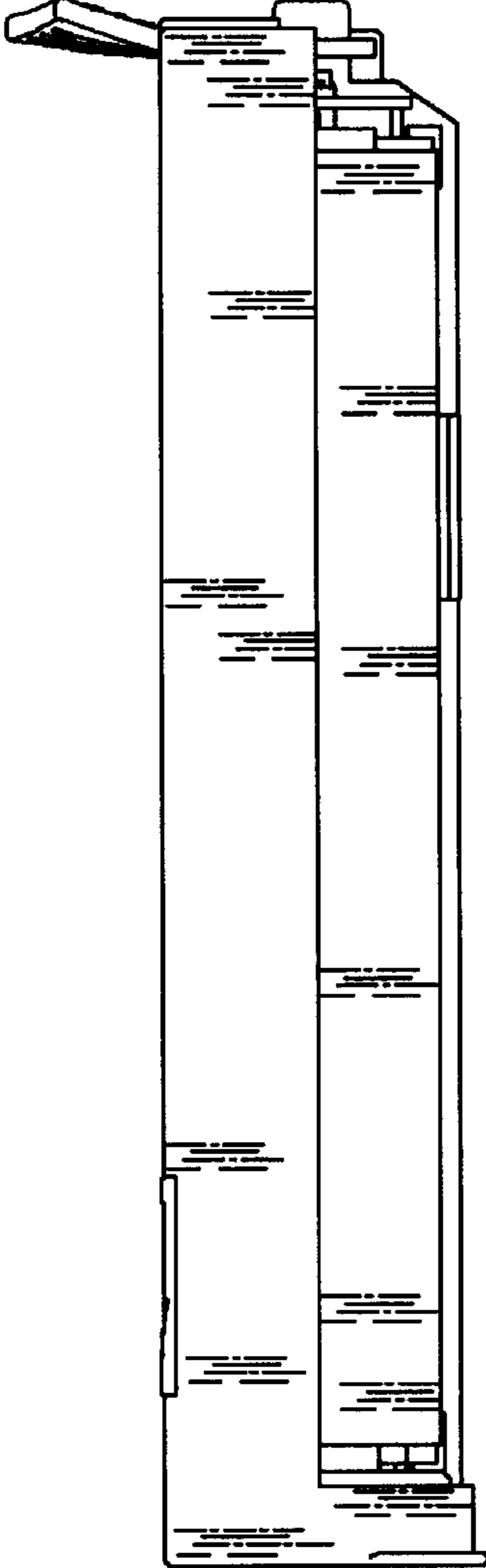


Fig. 4

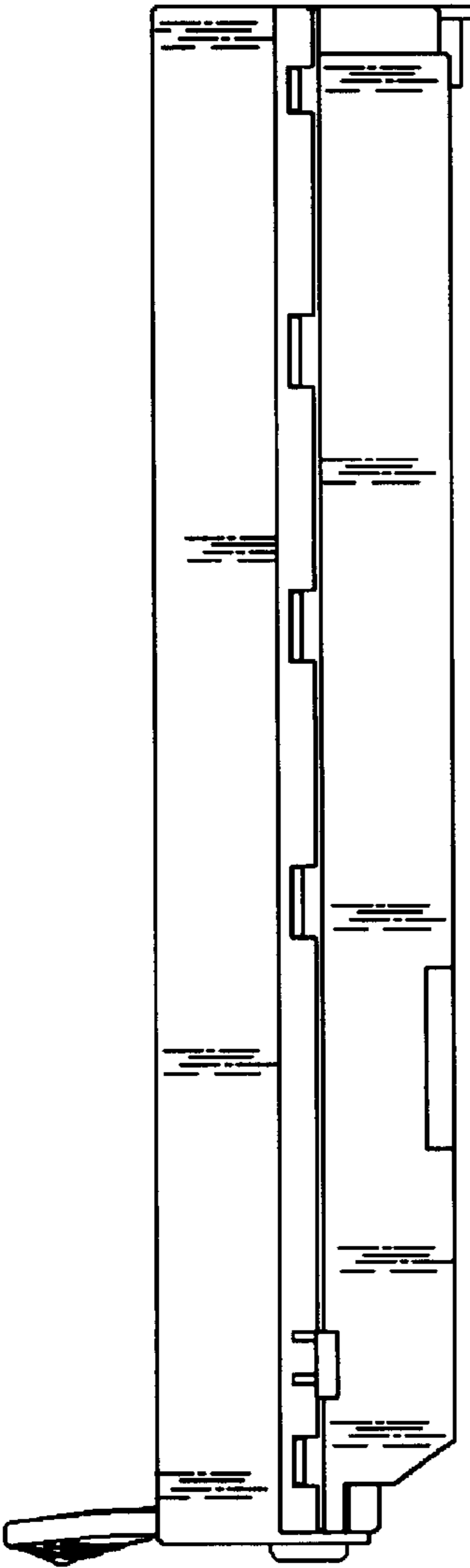


Fig. 5

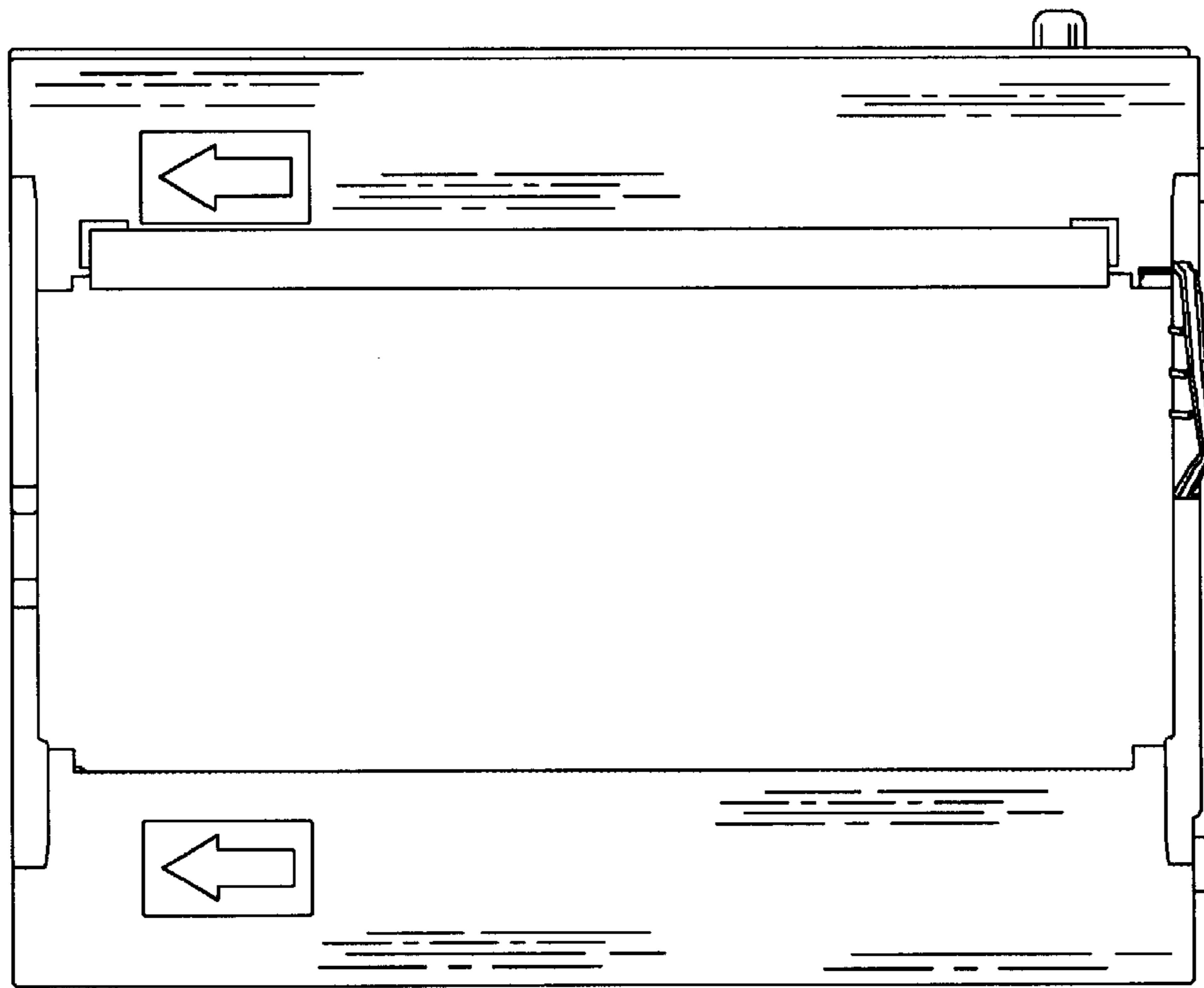


Fig. 6

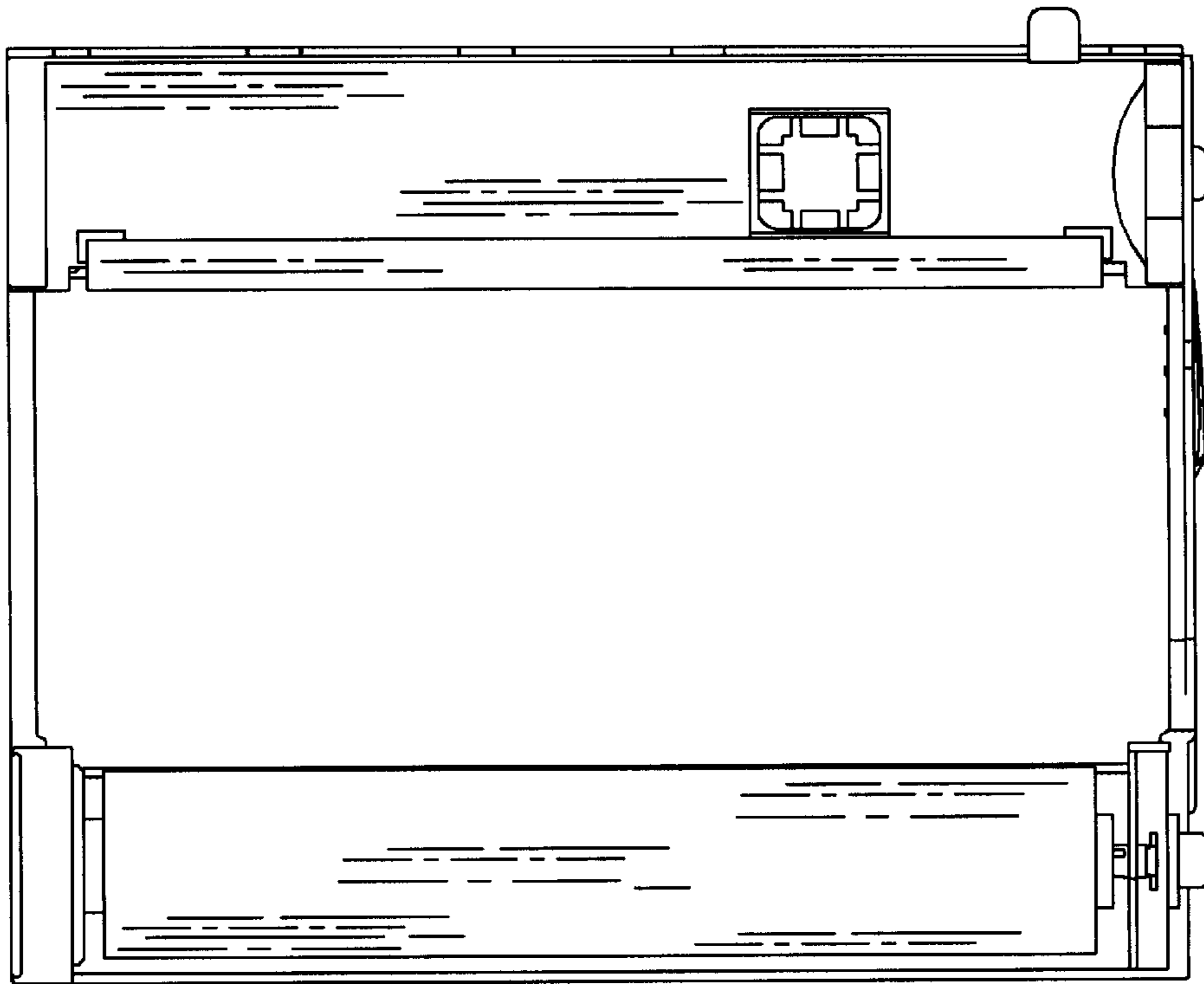


Fig. 7