

US00D544909S

(12) **United States Design Patent**  
**Muranaka**

(10) **Patent No.:** **US D544,909 S**

(45) **Date of Patent:** **\*\* Jun. 19, 2007**

(54) **INK POUCH FOR A PRINTER INK CARTRIDGE**

(75) Inventor: **Masakazu Muranaka**, Tokyo (JP)

(73) Assignee: **Ricoh Company, Ltd.**, Tokyo (JP)

(\*\*) Term: **14 Years**

(21) Appl. No.: **29/232,813**

(22) Filed: **Jun. 24, 2005**

**Related U.S. Application Data**

(63) Continuation of application No. 29/193,084, filed on Nov. 4, 2003, now abandoned.

(30) **Foreign Application Priority Data**

May 9, 2003 (JP) ..... 2003-012861

(51) **LOC (8) Cl.** ..... **18-02**

(52) **U.S. Cl.** ..... **D18/56; 346/86**

(58) **Field of Classification Search** ..... D18/40, D18/43, 56; 347/33, 49, 50, 85, 86-87; 399/110

See application file for complete search history.

(56) **References Cited**

**U.S. PATENT DOCUMENTS**

4,759,472 A \* 7/1988 Strenger ..... D18/56

6,848,775 B2 \* 2/2005 Ishizawa et al. .... 347/86

2004/0218021 A1 \* 11/2004 Ishizawa et al. .... 347/85

\* cited by examiner

*Primary Examiner*—Cathy Anne MacCormac

(74) *Attorney, Agent, or Firm*—Dickstein Shapiro LLP

(57) **CLAIM**

The ornamental design for an ink pouch for a printer ink cartridge, as shown and described.

**DESCRIPTION**

FIG. 1 is a front elevation of an ink pouch for a printer ink cartridge according to the present invention;

FIG. 2 is a rear elevation thereof;

FIG. 3 is a top plan view thereof;

FIG. 4 is a bottom plan view thereof;

FIG. 5 is a right side elevation thereof;

FIG. 6 is a left side elevation thereof; and,

FIG. 7 is a top, front and right side perspective view thereof.

**1 Claim, 4 Drawing Sheets**

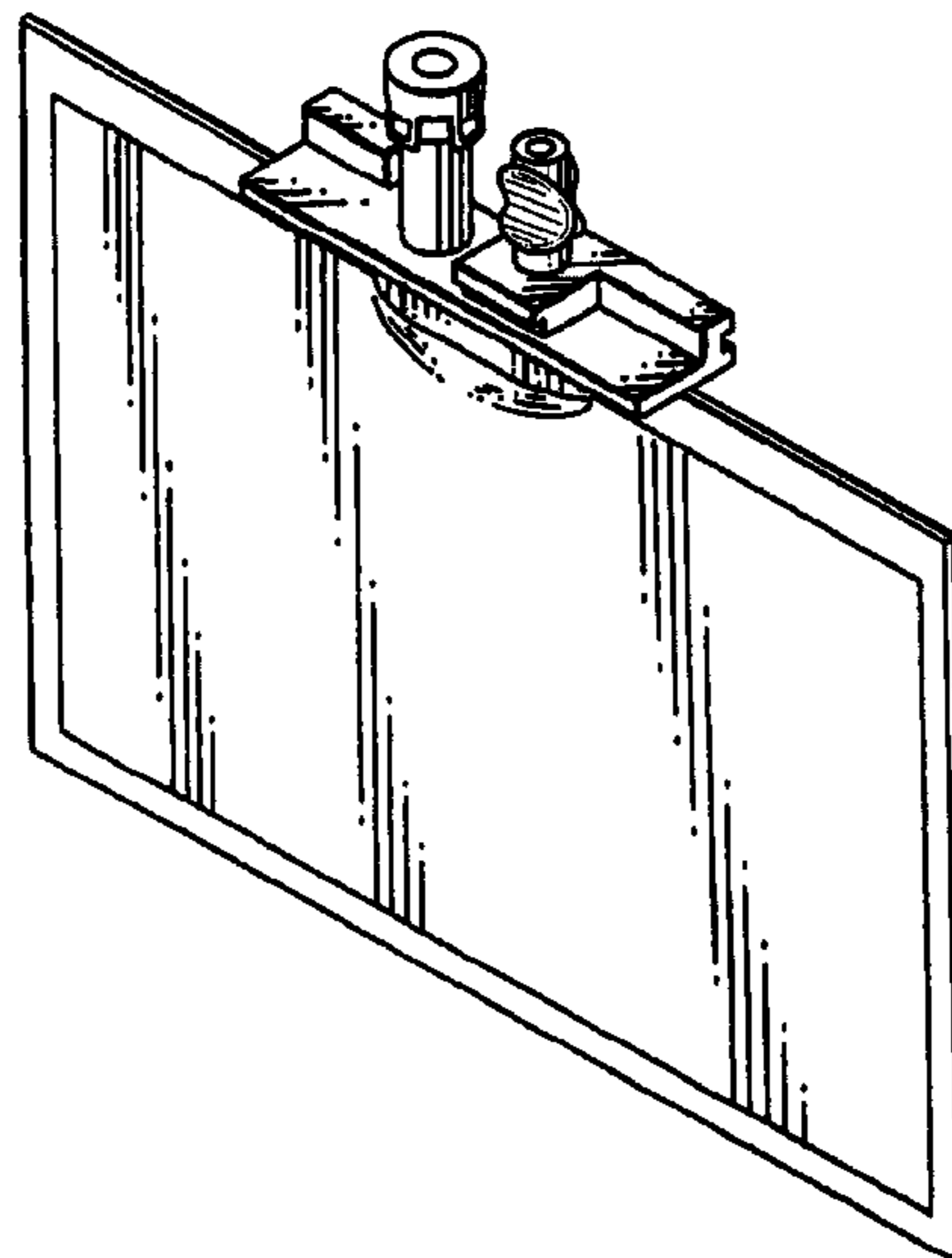
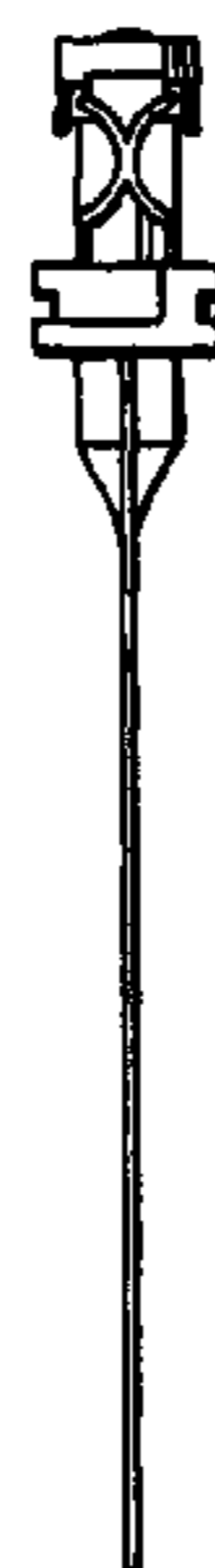


FIG. 1

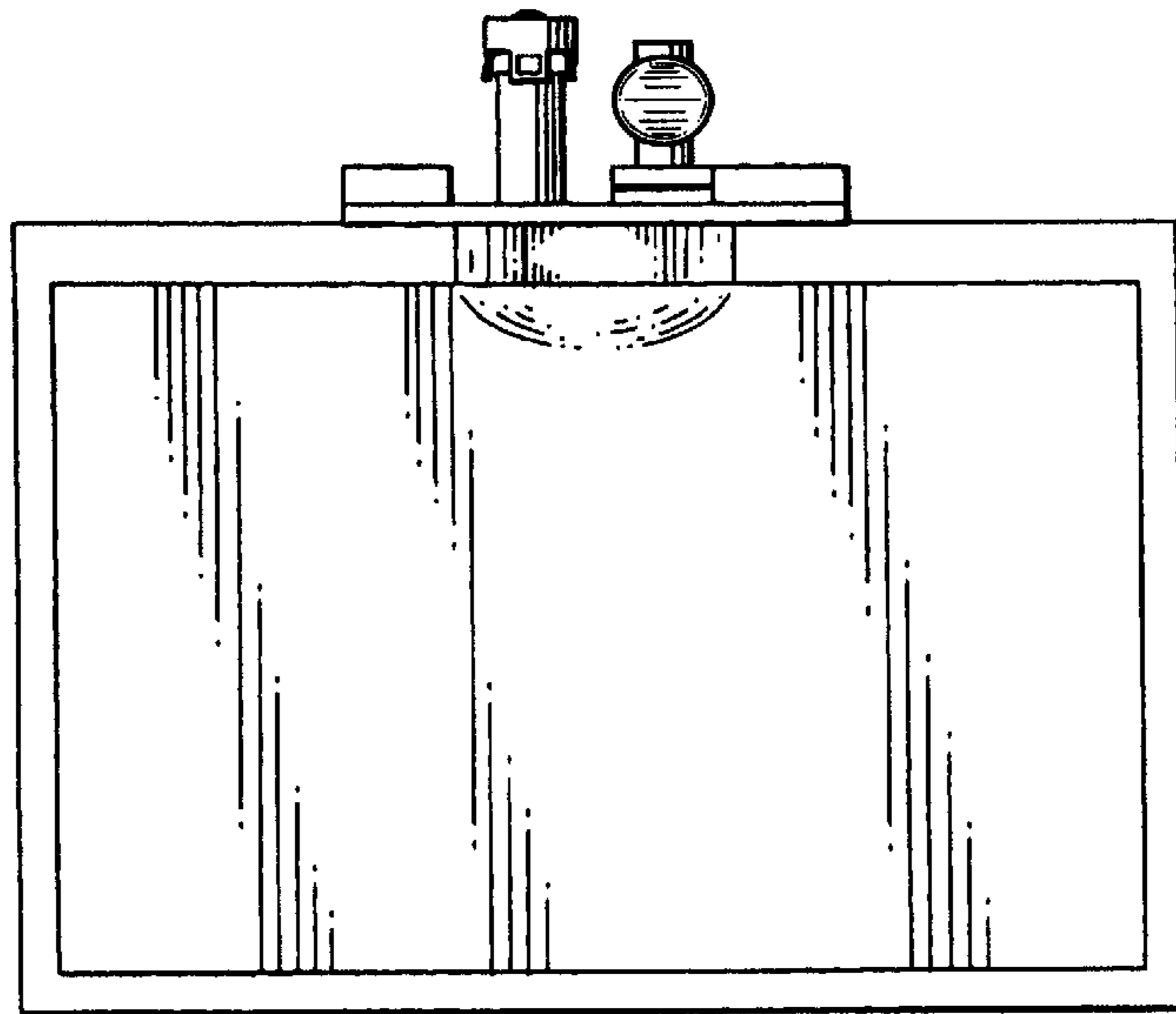


FIG. 2

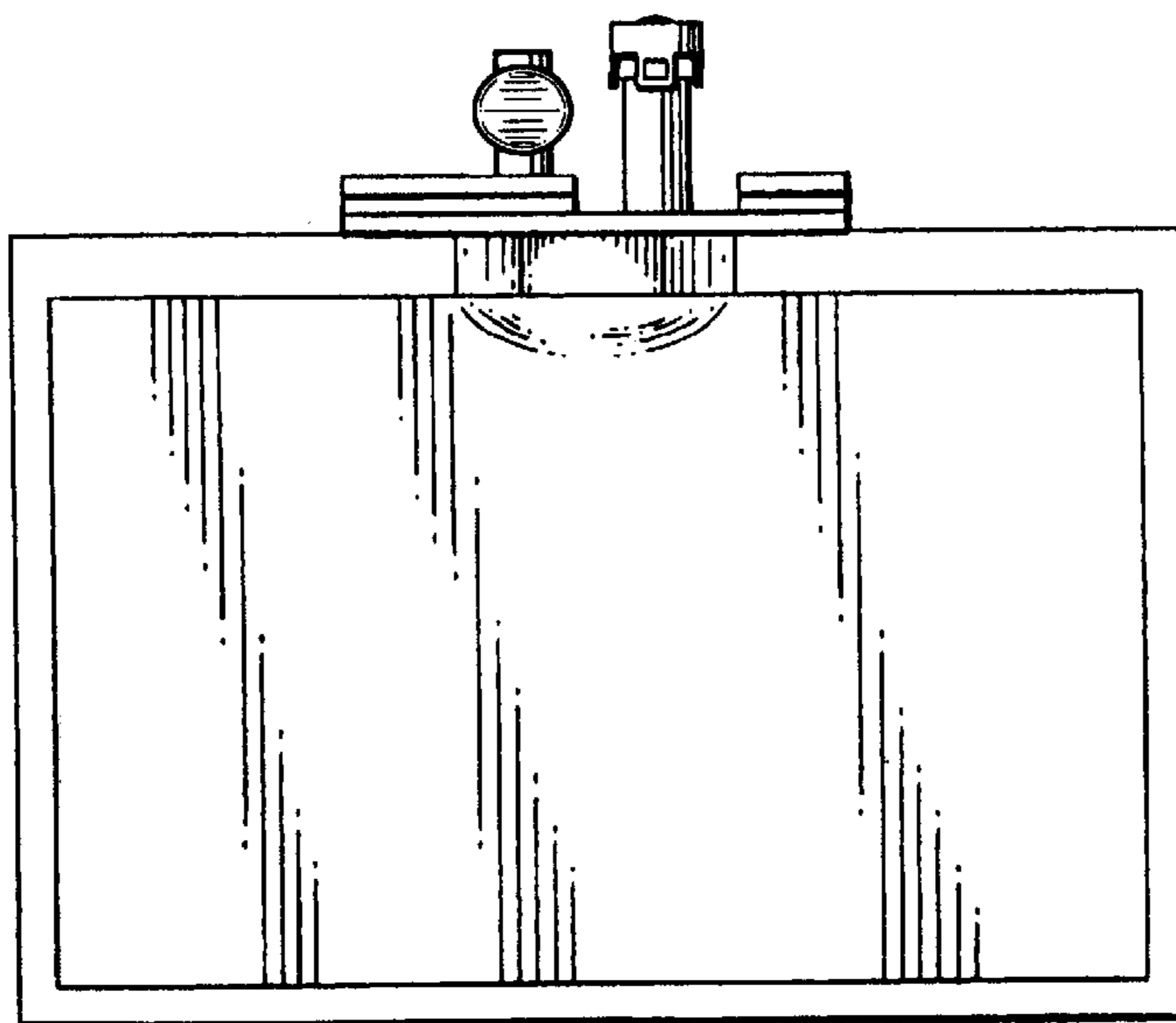


FIG. 3



FIG. 4



FIG. 5



FIG. 6

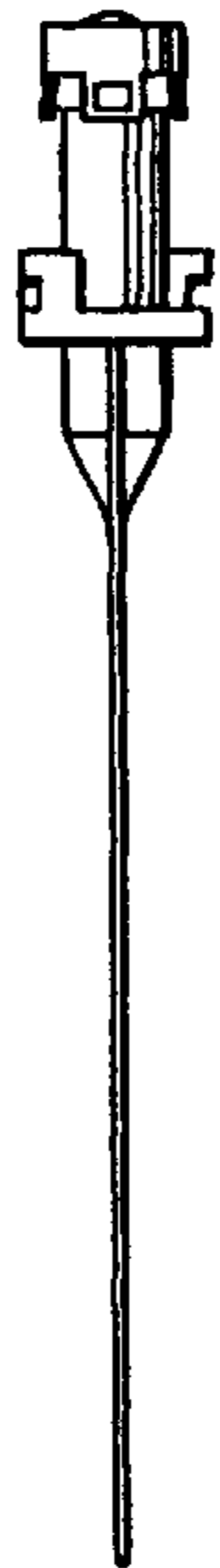


FIG. 7

