

US00D544907S

(12) **United States Design Patent**  
**Tjin Wong Joe et al.**

(10) **Patent No.: US D544,907 S**  
(45) **Date of Patent: \*\* Jun. 19, 2007**

(54) **MOBILE PRINTER**

(75) Inventors: **Mylene-Angele-Kit-Njoek Tjin Wong Joe**, Singapore (SG); **Chee Hiang Koh**, Singapore (SG)

(73) Assignee: **Hewlett-Packard Development Company, L.P.**, Houston, TX (US)

(\*\*) Term: **14 Years**

(21) Appl. No.: **29/239,269**

(22) Filed: **Sep. 27, 2005**

(51) **LOC (8) Cl. .... 18-02**

(52) **U.S. Cl. .... D18/55**

(58) **Field of Classification Search** ..... D18/50,  
D18/52, 53, 54, 55, 56, 14, 18, 19; D14/399;  
D13/164, 168; 400/613, 613.1-613.4, 691-694;  
101/93.4, 269; 355/78; 358/302  
See application file for complete search history.

(56) **References Cited**

**U.S. PATENT DOCUMENTS**

4,904,100	A *	2/1990	Enix	.....	D18/55
D307,157	S *	4/1990	Sakaguchi et al.	.....	D18/54
D322,982	S *	1/1992	Tashiro	.....	D18/54
D358,138	S *	5/1995	Koyanagi et al.	.....	D14/368
D390,838	S *	2/1998	Takeuchi et al.	.....	D16/221
D418,157	S *	12/1999	Han	.....	D18/50
6,068,420	A *	5/2000	Austin et al.	.....	400/693
D442,963	S *	5/2001	Salazar et al.	.....	D14/420

6,585,438	B2 *	7/2003	Hosokawa et al.	.....	400/613
D490,845	S *	6/2004	Fukushima	.....	D18/50
D526,348	S *	8/2006	Tanaka	.....	D18/50
D532,448	S *	11/2006	Lim et al.	.....	D18/50
D533,216	S *	12/2006	Sato	.....	D18/50

**FOREIGN PATENT DOCUMENTS**

GB	1060941	*	1/1990
GB	2008734	*	12/1990
GB	2009279	*	9/2000

\* cited by examiner

*Primary Examiner*—Charles A. Rademaker

(57) **CLAIM**

The ornamental design for a mobile printer, as shown and described.

**DESCRIPTION**

FIG. 1 is a perspective view of a mobile printer showing our new design;

FIG. 2 is a top plan view thereof;

FIG. 3 is a front elevation view thereof;

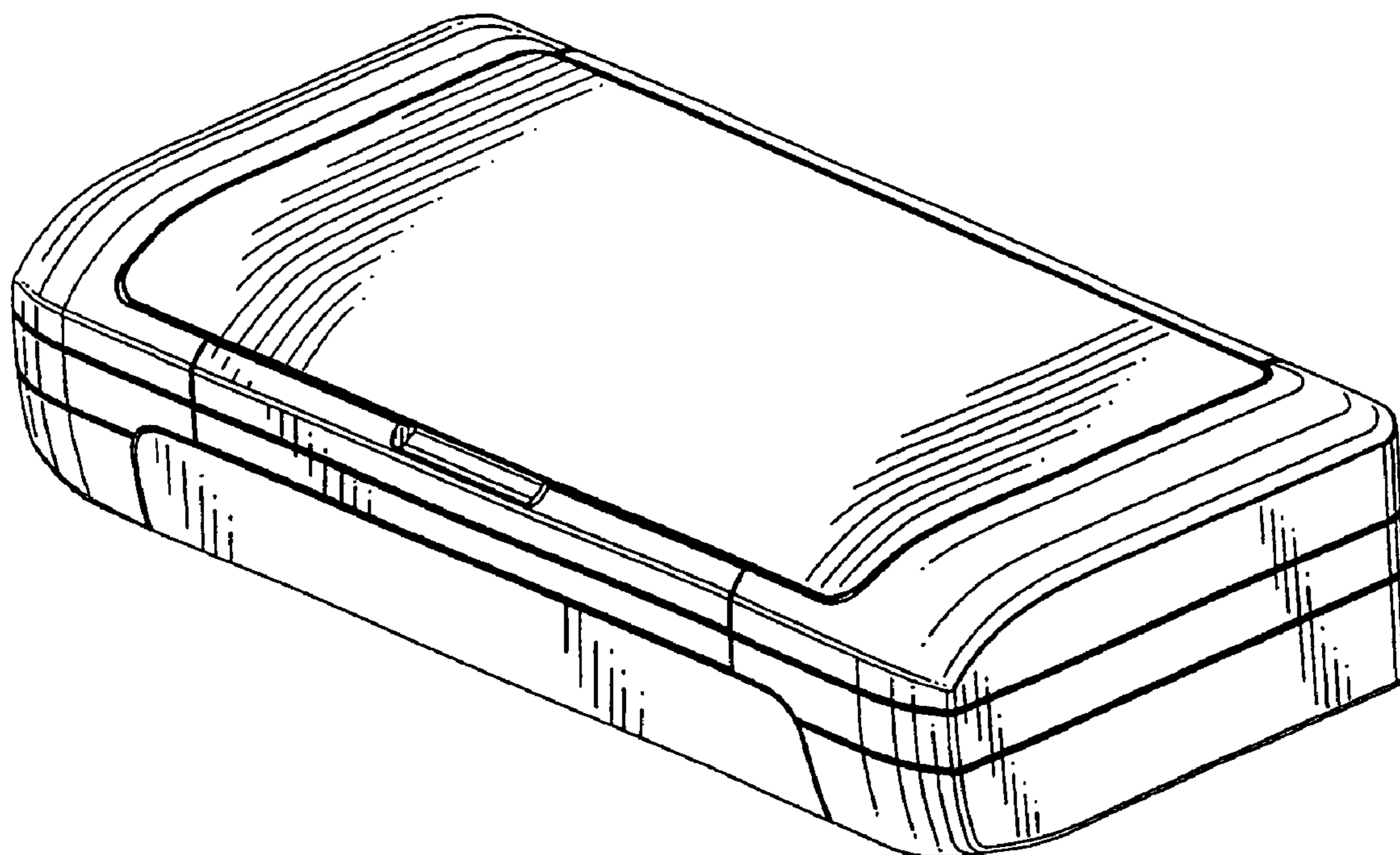
FIG. 4 is a left side elevation thereof;

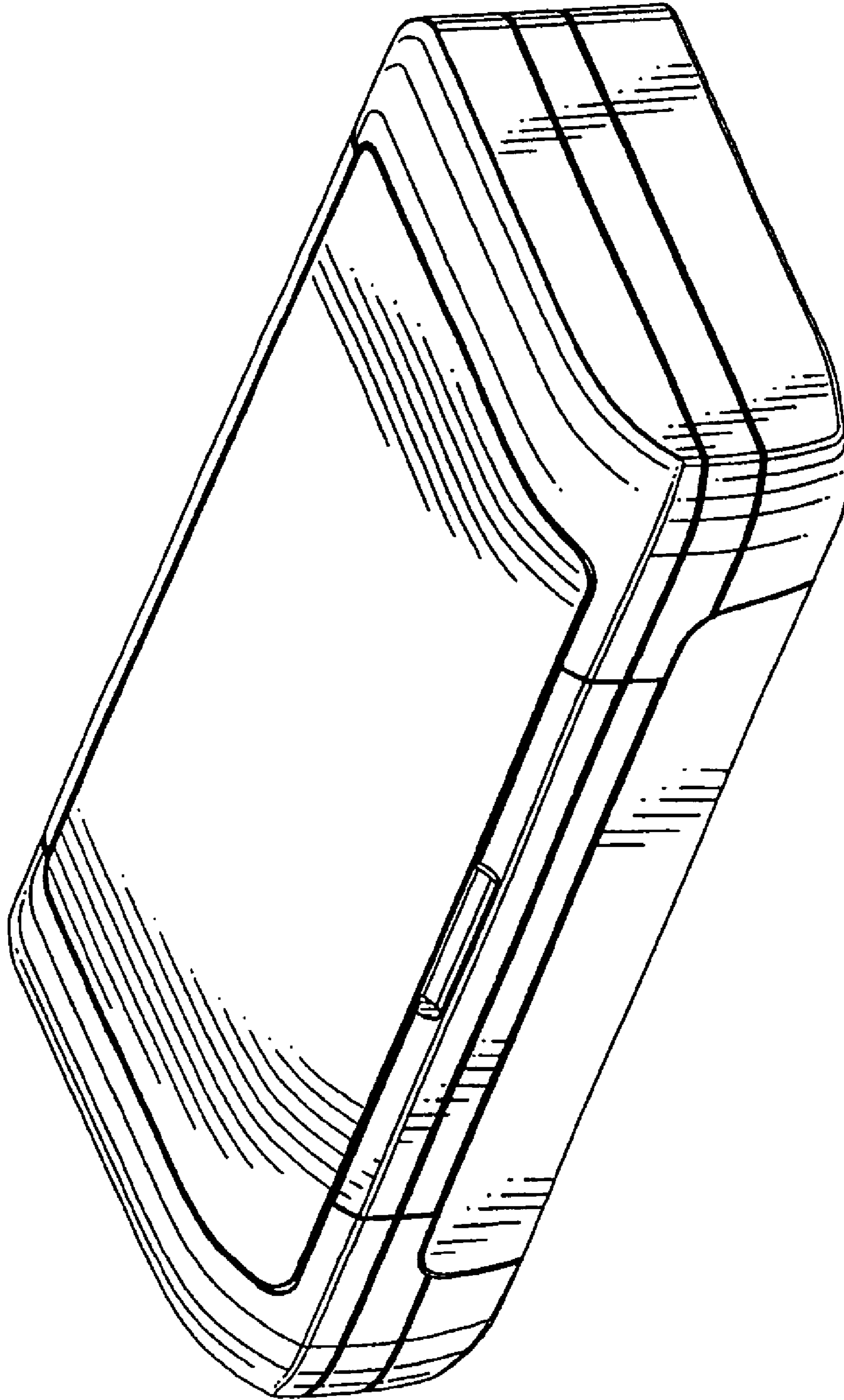
FIG. 5 is a right side elevation thereof;

FIG. 6 is a rear elevation thereof; and,

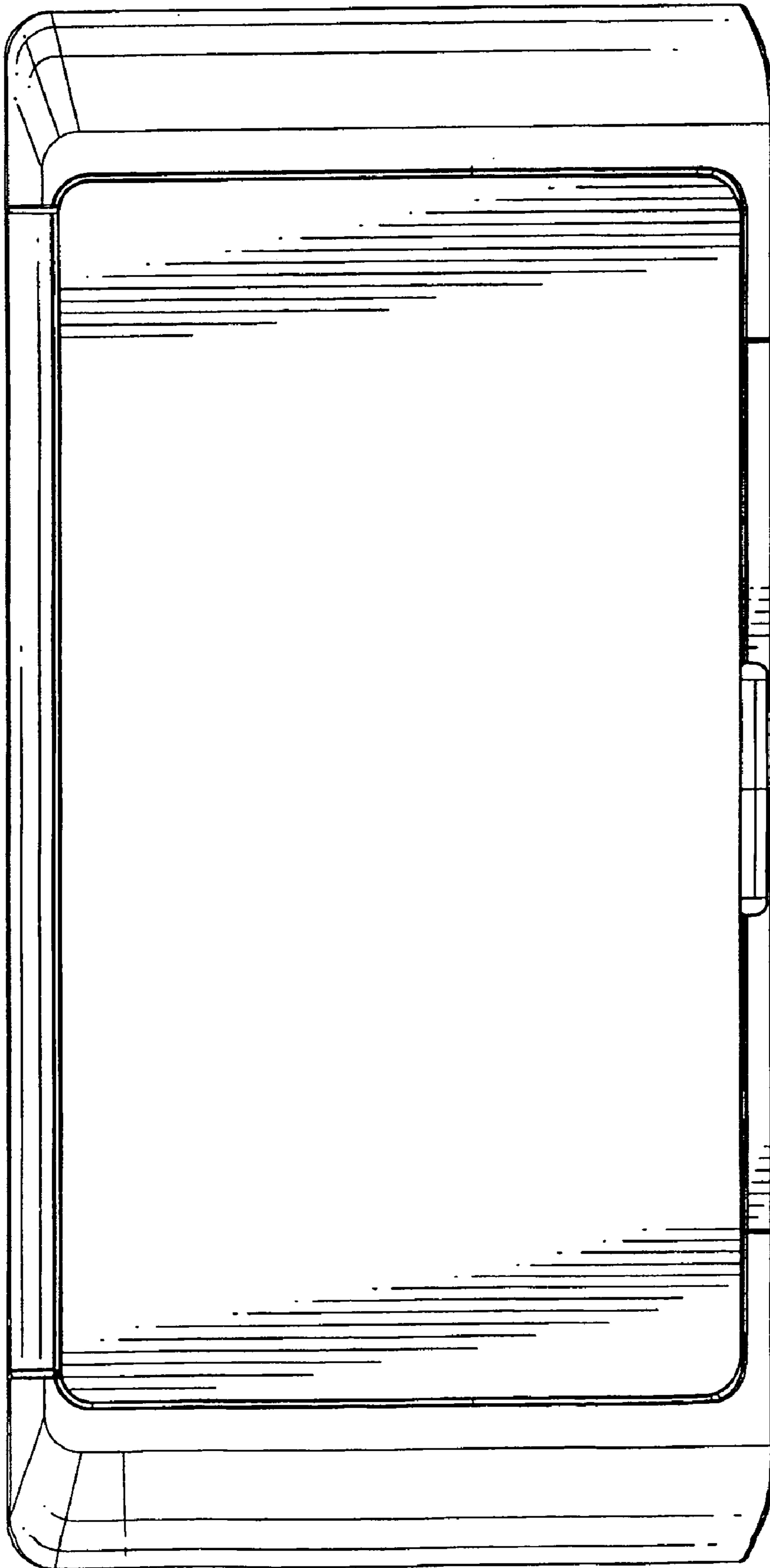
FIG. 7 is another perspective view thereof showing the input and output trays in open positions.

**1 Claim, 5 Drawing Sheets**





*Figure 1*



*Figure 2*

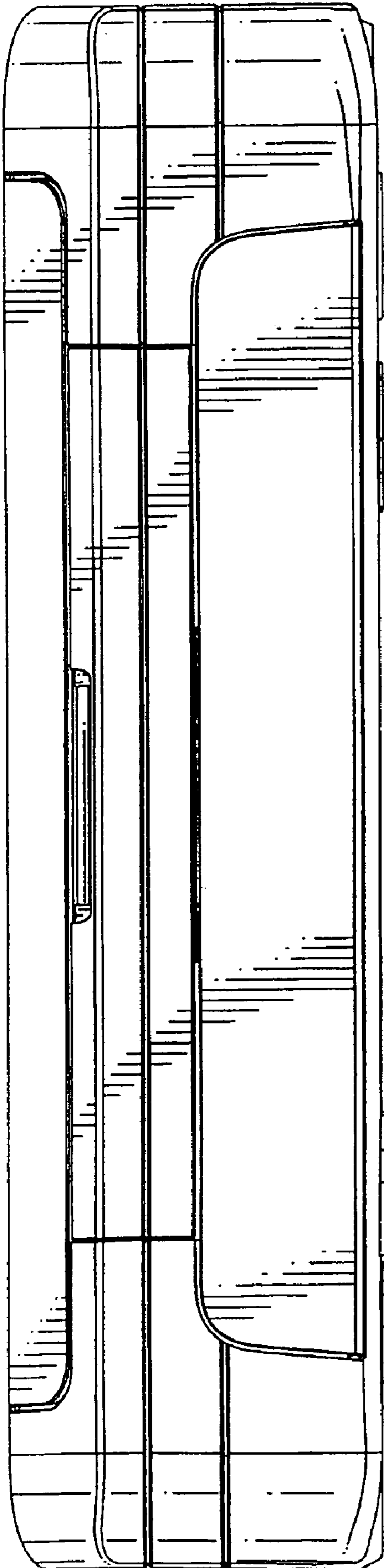


Figure 3

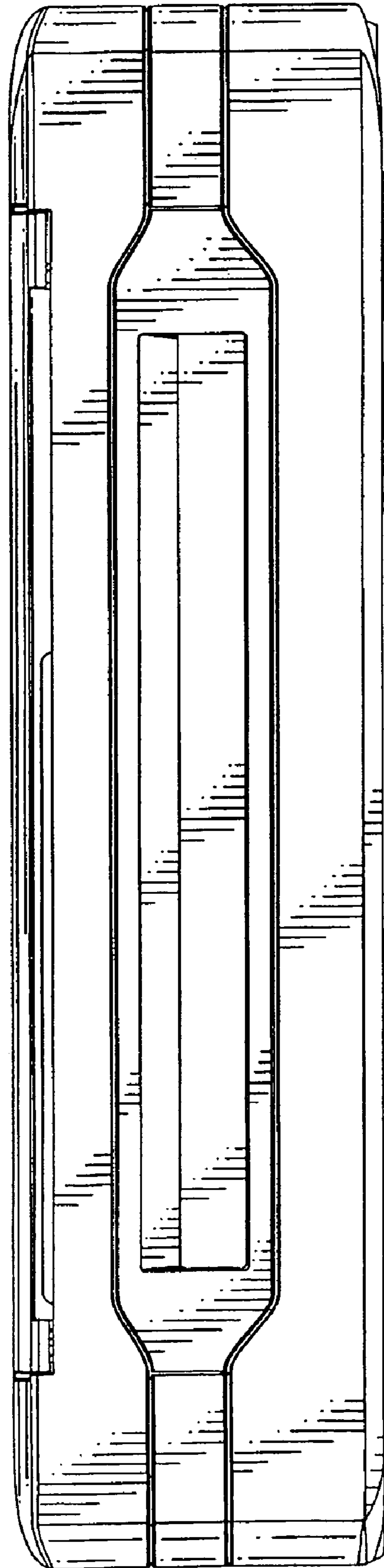
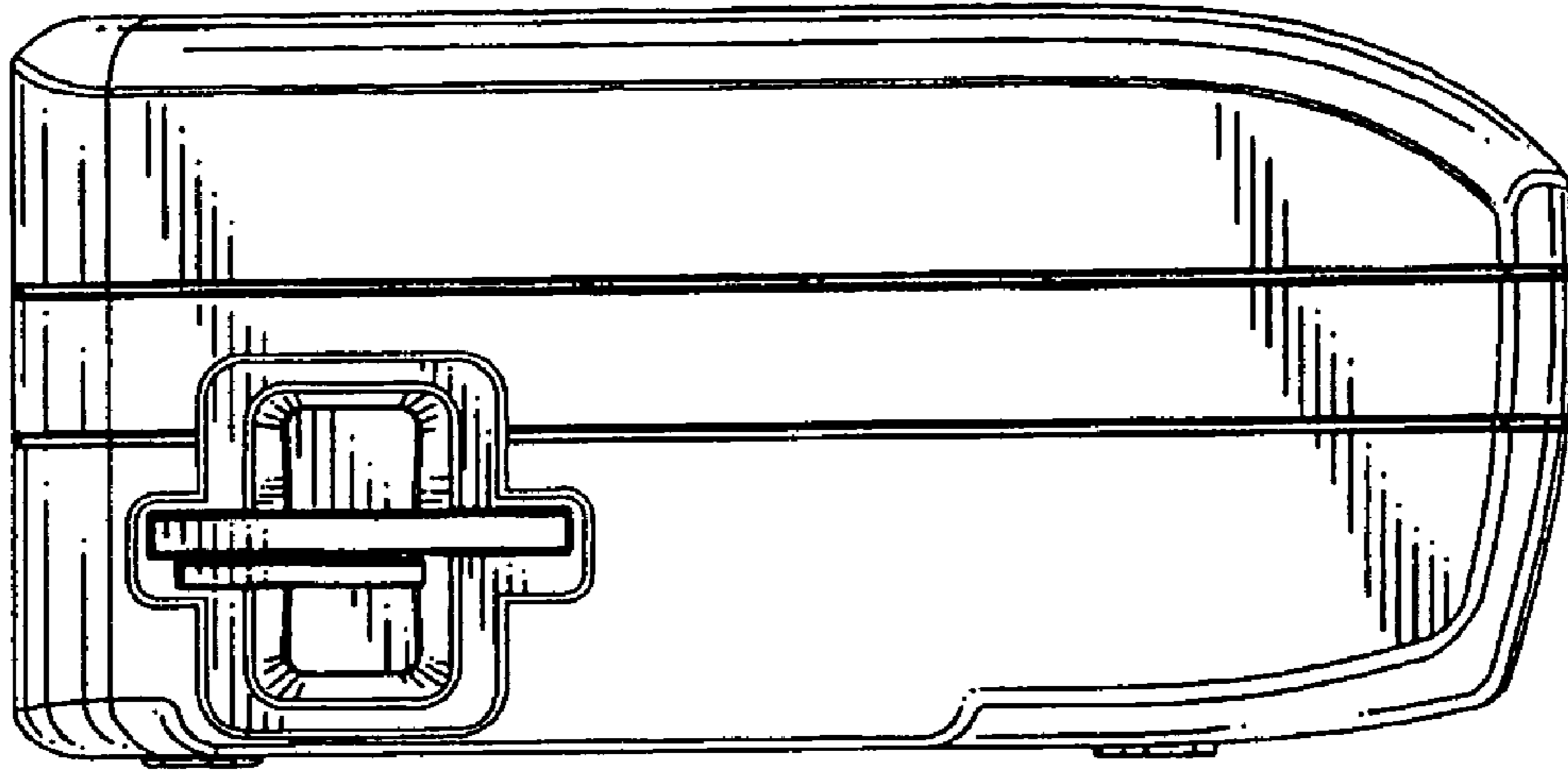
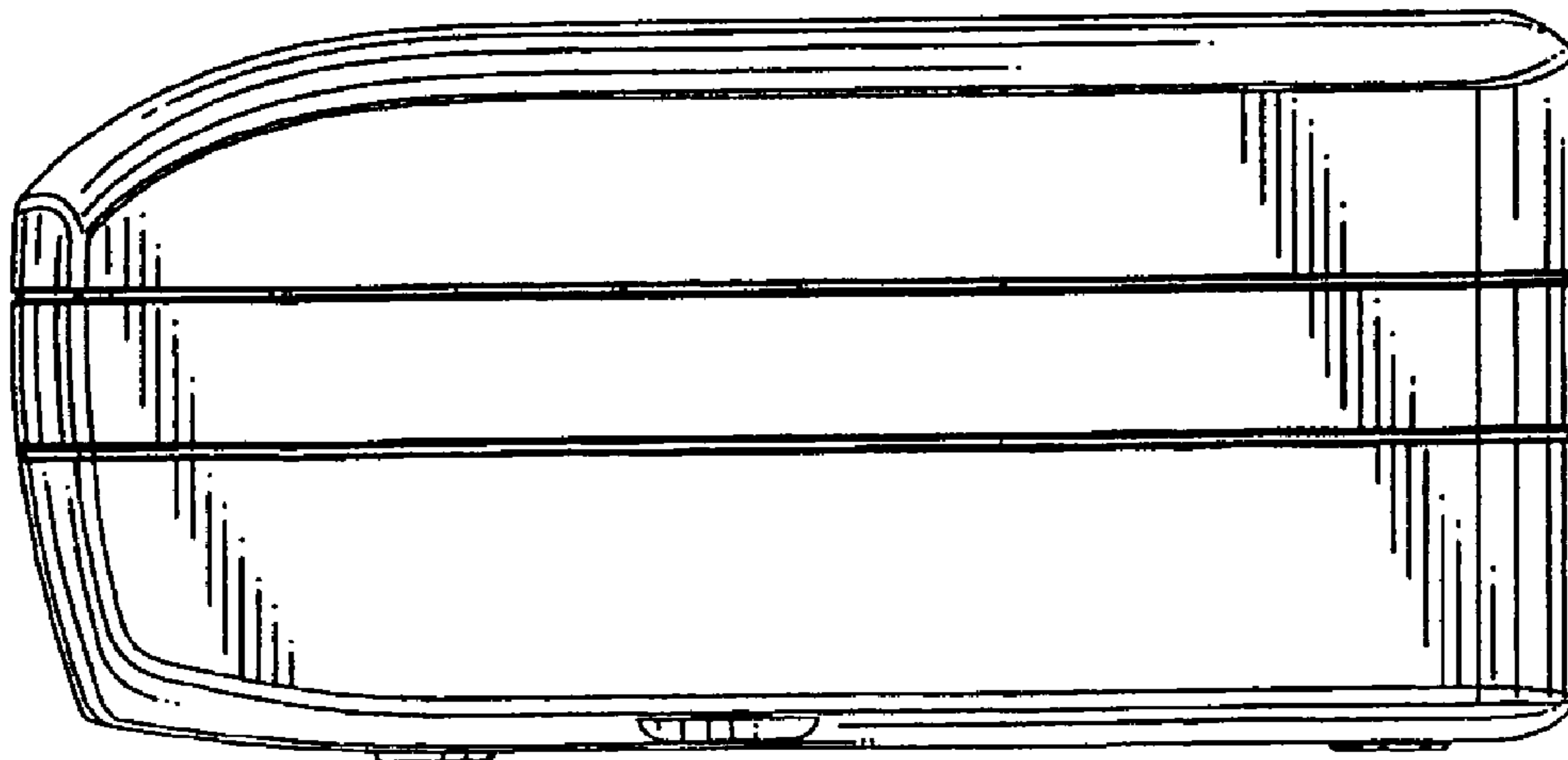


Figure 6



*Figure 4*



*Figure 5*



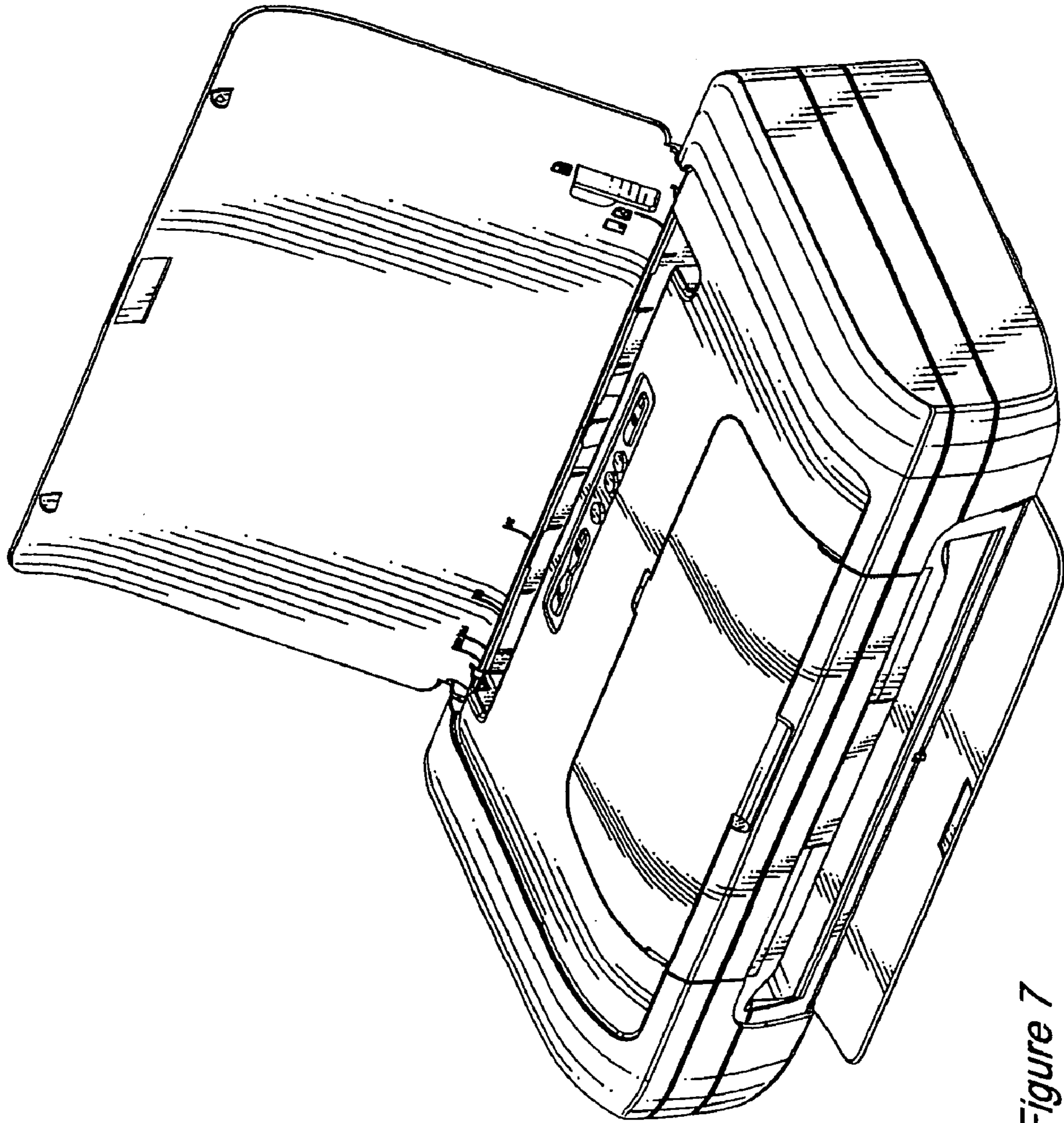


Figure 7