

US00D544905S

(12) **United States Design Patent** (10) **Patent No.:** **US D544,905 S**
Abramson et al. (45) **Date of Patent:** **** Jun. 19, 2007**

(54) **SHREDDER BASKET**

(76) Inventors: **Aron Abramson**, 2025 E. 9 St.,
Brooklyn, NY (US) 11223; **Charles Sued**, 3360 Bedford Ave., Brooklyn,
NY (US) 11210

(**) Term: **14 Years**

(21) Appl. No.: **29/247,949**

(22) Filed: **Jul. 21, 2006**

D449,850 S 10/2001 Ho
D454,907 S 3/2002 Ho
D455,170 S 4/2002 Ho
D455,171 S 4/2002 Ho
6,390,397 B1 5/2002 Ko
6,390,398 B1 * 5/2002 Wu Huang 241/100
6,454,196 B1 * 9/2002 Parke 241/224
6,513,740 B2 2/2003 Ho
6,588,616 B1 7/2003 Ho
D498,252 S 11/2004 Lo
D498,253 S 11/2004 Lo
D502,729 S 3/2005 Lo
D502,960 S 3/2005 Lo

Related U.S. Application Data

(63) Continuation of application No. 29/246,875, filed on
May 17, 2006.

(51) **LOC (8) Cl.** **18-04**

(52) **U.S. Cl.** **D18/34.9; D18/34.5**

(58) **Field of Classification Search** D18/34.1-34.9,
D18/99, 50; 83/167, 289, 302, 303, 523,
83/633; 241/169.1, 36, 154, 157, 222, 224,
241/168, 284, 295, 37.5, 100, 236; 385/13;
D8/99; D7/381, 383

See application file for complete search history.

References Cited

U.S. PATENT DOCUMENTS

2,308,578 A 1/1943 White et al.
4,495,456 A 1/1985 Vercillo et al.
4,609,155 A 9/1986 Garnier
4,650,128 A 3/1987 Goldhammer
5,035,366 A 7/1991 Hashimoto et al.
5,054,695 A 10/1991 Koornhof
5,167,374 A 12/1992 Strohmeier
5,474,241 A 12/1995 Kennedy
5,772,129 A 6/1998 Nishio et al.
5,839,675 A 11/1998 Henreckson et al.
5,934,584 A 8/1999 Schwelling
5,988,542 A 11/1999 Henreckson et al.
6,079,645 A 6/2000 Henreckson et al.
6,116,528 A 9/2000 Schwelling
D437,343 S 2/2001 Ho
D446,543 S 8/2001 Ho

(Continued)

FOREIGN PATENT DOCUMENTS

EM 000462510-0005 * 1/2006
GB 2065708 * 8/1997
GB 2081404 * 4/1999
GB 3002610 * 7/2002

Primary Examiner—Charles A. Rademaker
(74) *Attorney, Agent, or Firm*—Garcia-Zamor IP Law; Ruy
M. Garcia-Zamor

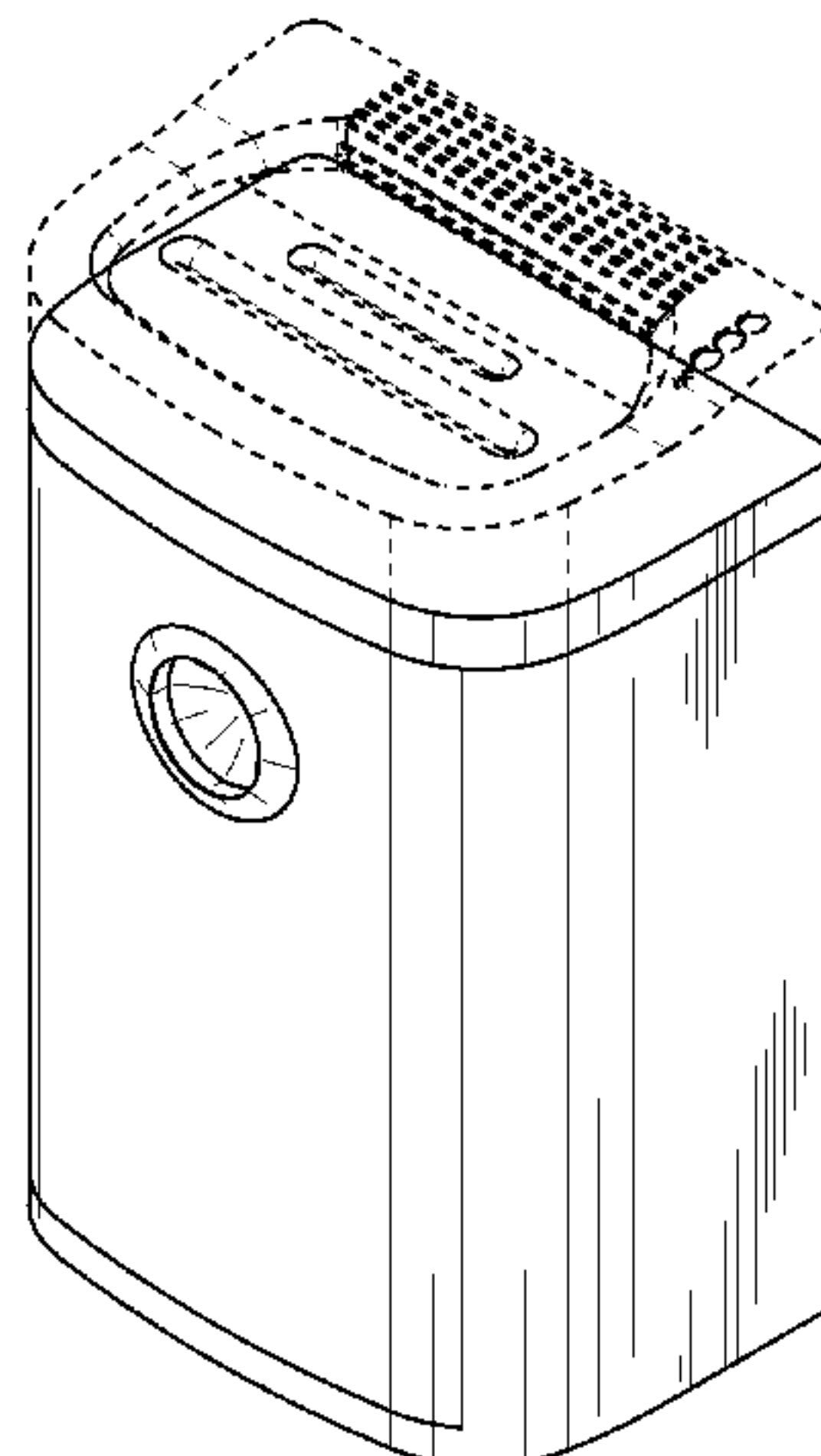
(57) **CLAIM**

The ornamental design for a shredder basket, as shown and
described.

DESCRIPTION

FIG. 1 is a perspective view of a shredder basket showing
our new design;
FIG. 2 is a left side elevation thereof, the side opposite being
a mirror image;
FIG. 3 is a front elevation thereof;
FIG. 4 is a top plan view thereof;
FIG. 5 is a rear elevation thereof; and,
FIG. 6 is a bottom plan view thereof.
The broken lines shown in the drawings illustrate environ-
ment and form no part of the claimed design.

1 Claim, 3 Drawing Sheets



US D544,905 S

Page 2

U.S. PATENT DOCUMENTS

D502,961 S *	3/2005	Lo	D18/34.6	2003/0006330 A1	1/2003	Chang
6,962,301 B1 *	11/2005	Chang	241/100	2003/0042342 A1	3/2003	Kroger et al.
6,964,386 B2	11/2005	Ho		2004/0129810 A1	7/2004	Kasprowicz et al.
7,040,559 B2 *	5/2006	Matlin et al.	241/36	2005/0001080 A1	1/2005	Nemedi
7,104,481 B2 *	9/2006	Schenker	241/100	2005/0236503 A1	10/2005	Matlin et al.
D532,444 S *	11/2006	Kao et al.	D18/34.4	2005/0241998 A1	11/2005	Nemedi

* cited by examiner

FIG. 1

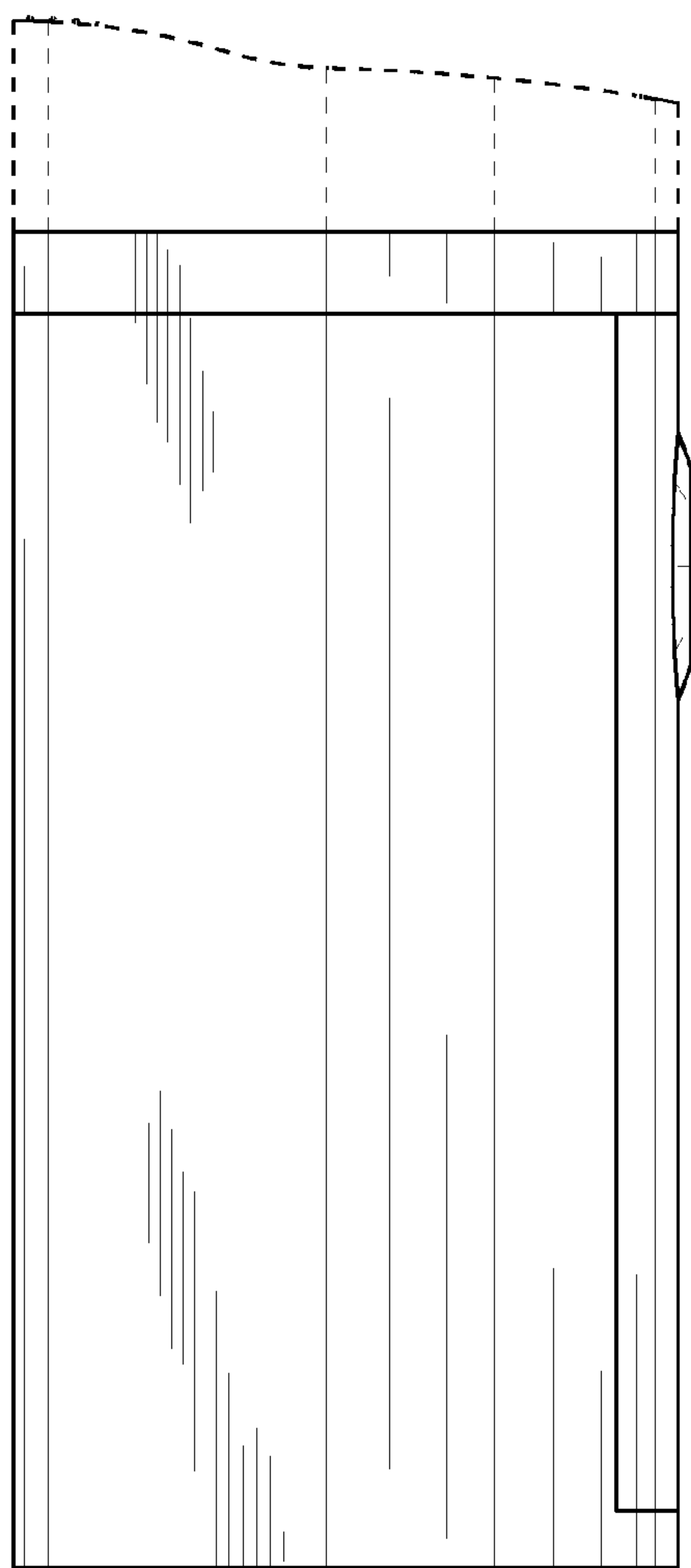
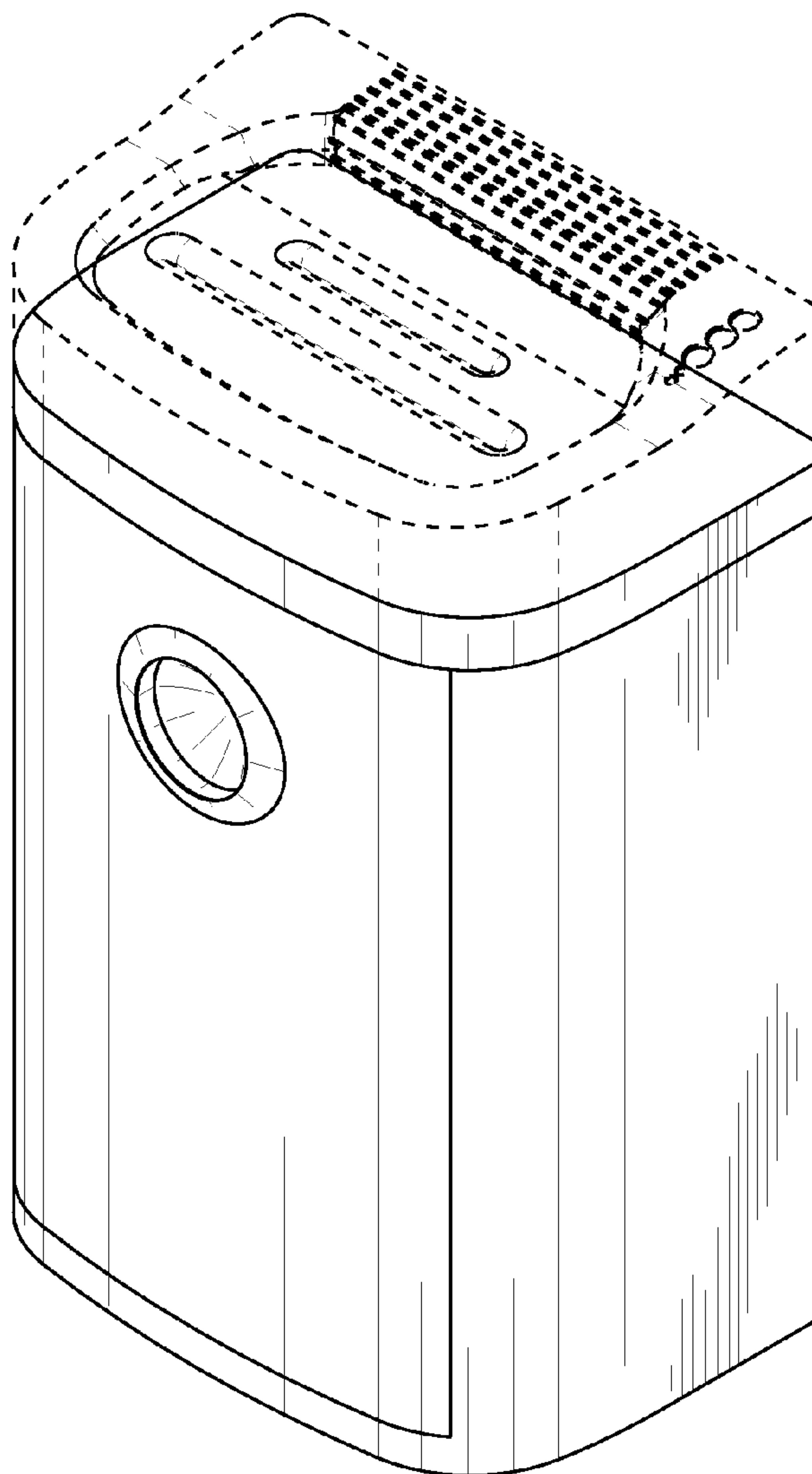


FIG. 2

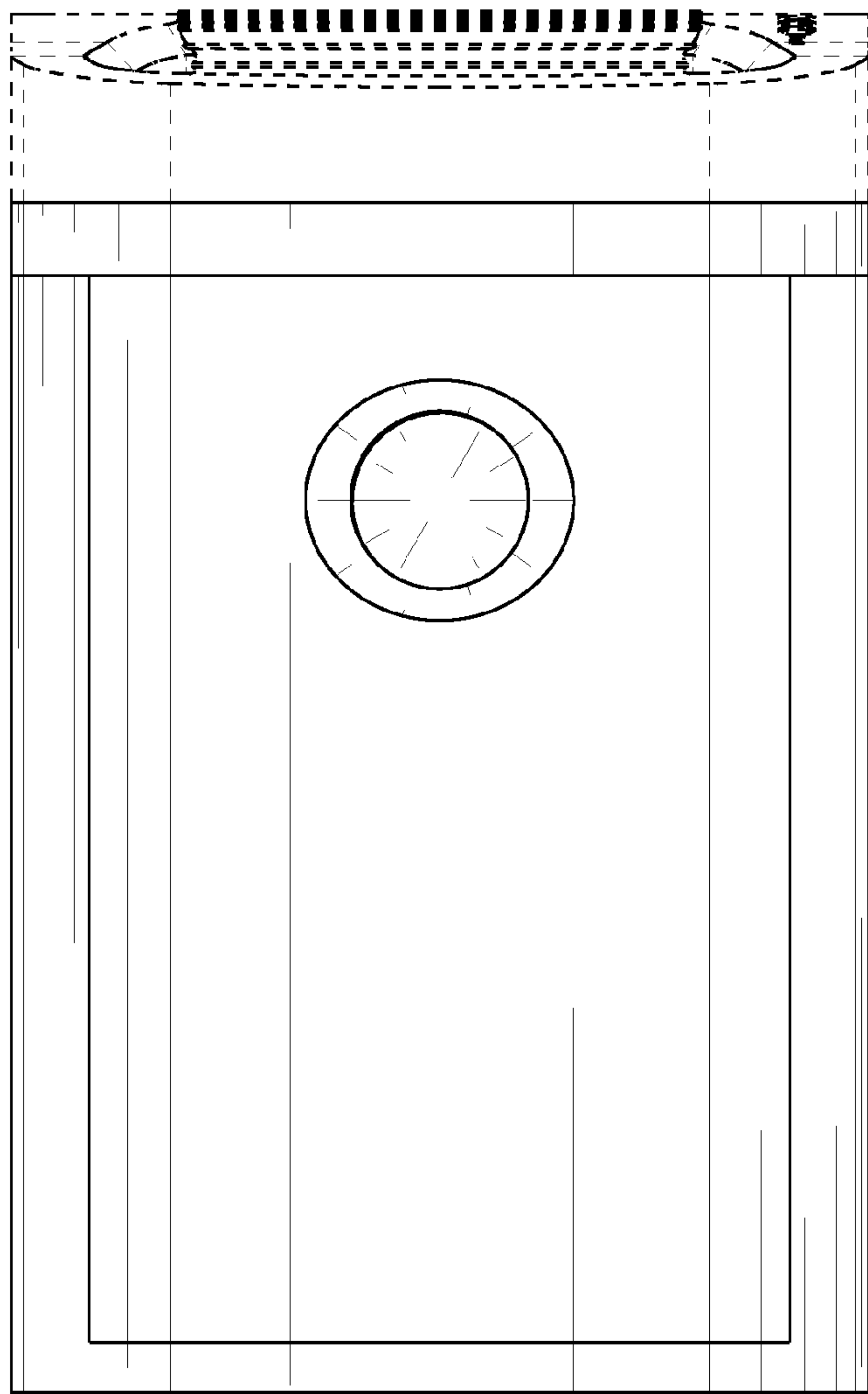


FIG. 3

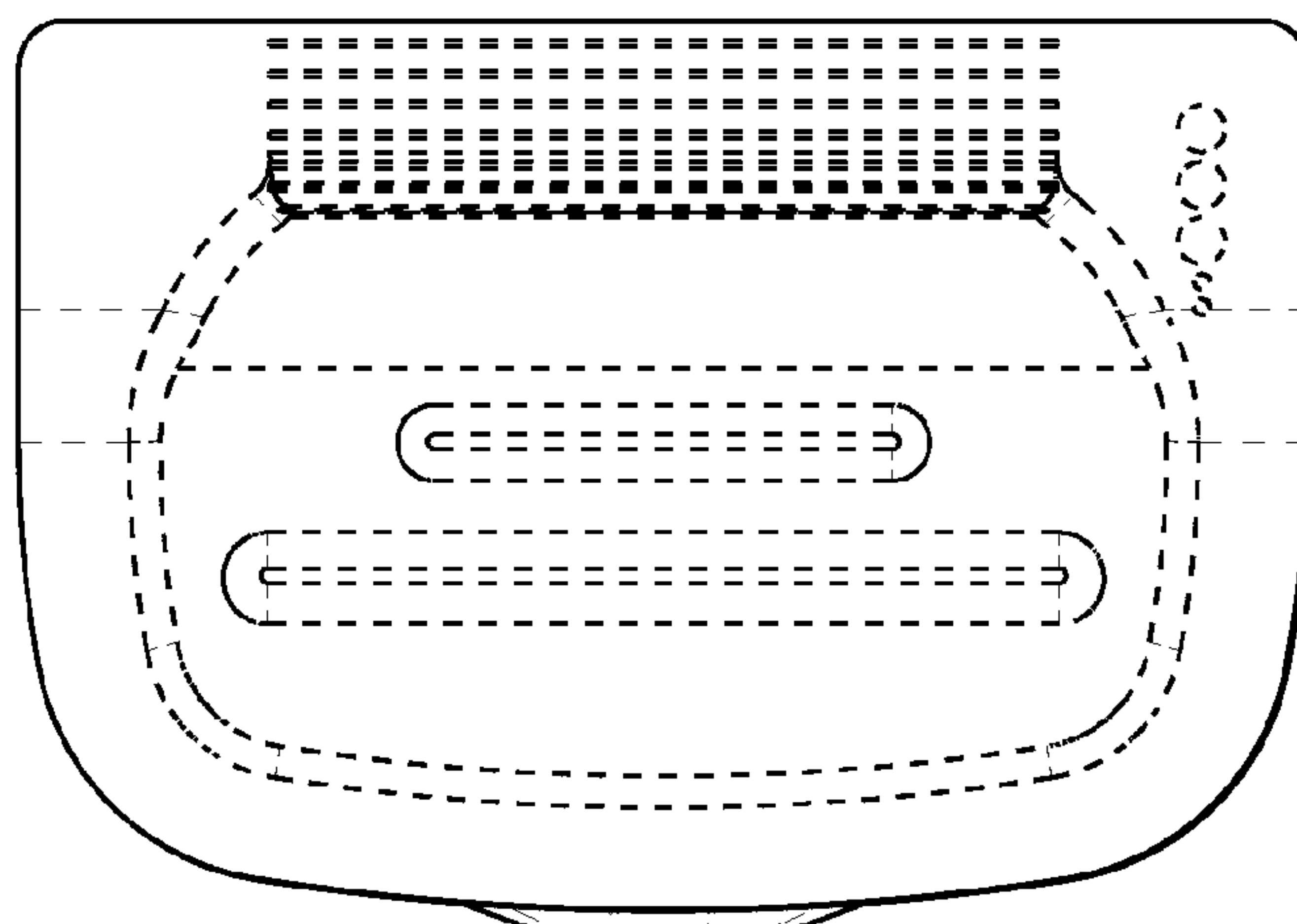


FIG. 4

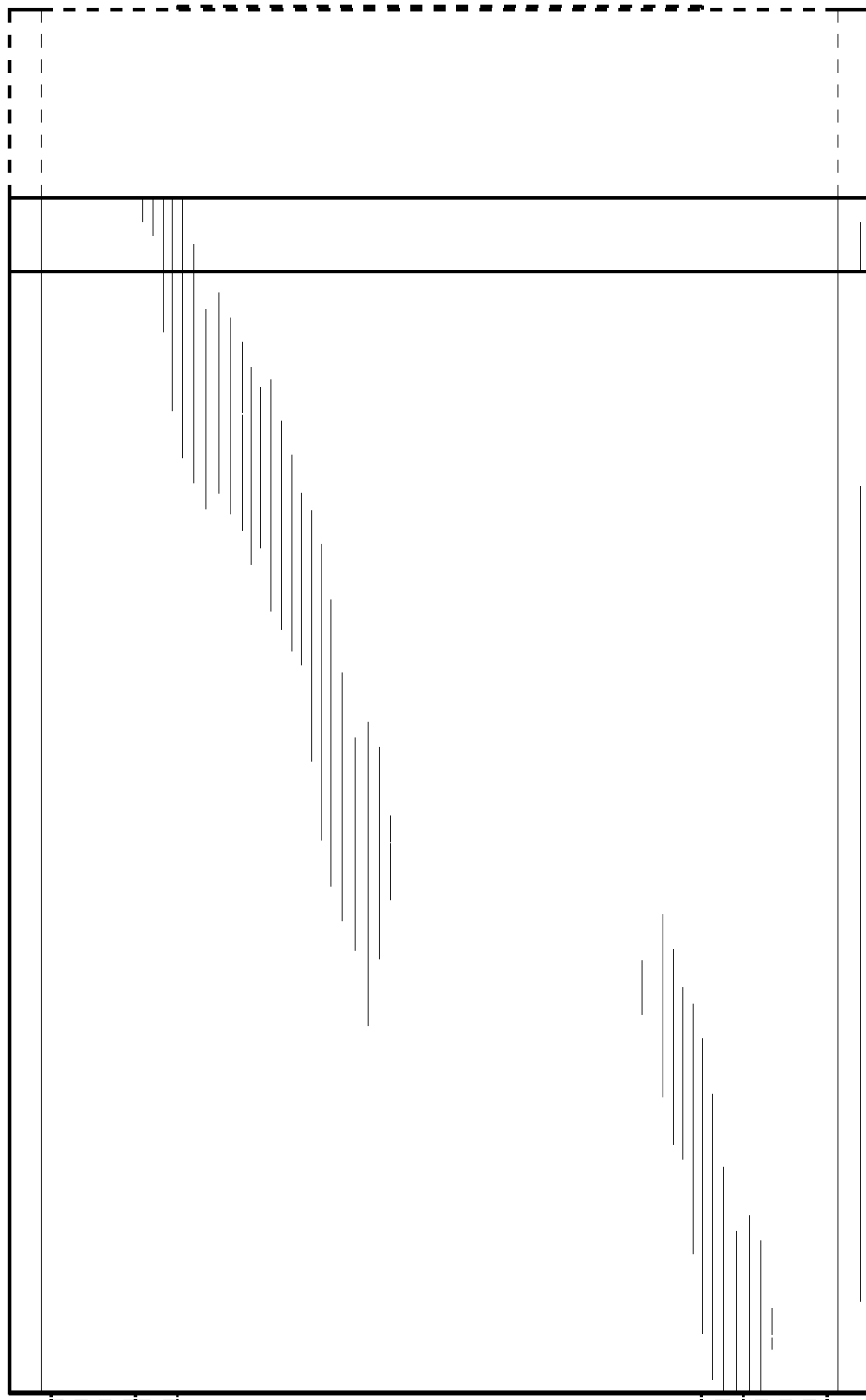


FIG. 5

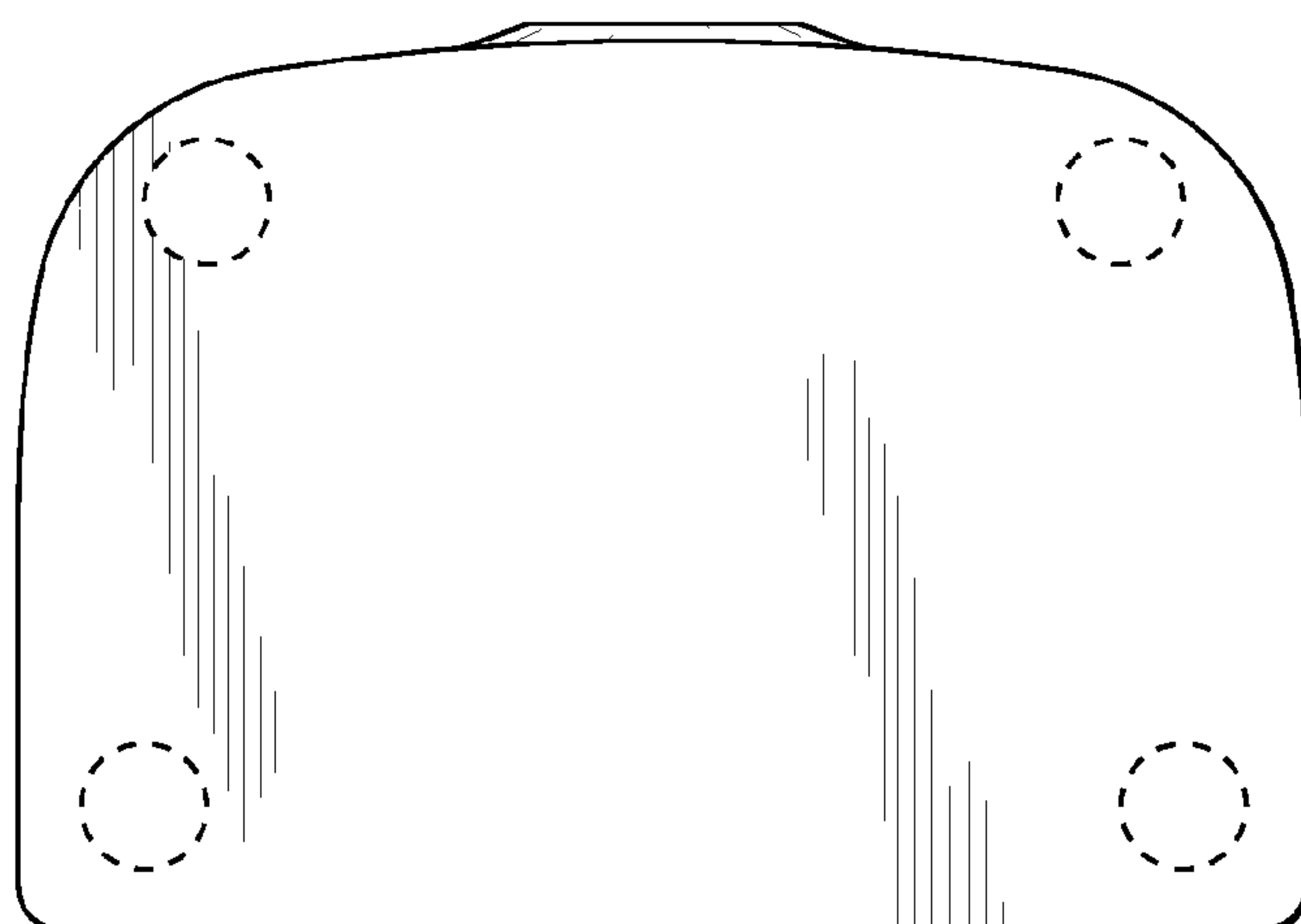


FIG. 6