



US00D544904S

(12) **United States Design Patent**
Beno et al.

(10) **Patent No.: US D544,904 S**
(45) **Date of Patent: ** Jun. 19, 2007**

- (54) **SHREDDER**
- (75) Inventors: **Steven Beno**, Gurnee, IL (US); **Mikael Bäckström**, Chicago, IL (US)
- (73) Assignee: **General Binding Corporation**, Northbrook, IL (US)
- (**) Term: **14 Years**
- (21) Appl. No.: **29/236,203**
- (22) Filed: **Aug. 12, 2005**
- (51) **LOC (8) Cl. 18-04**
- (52) **U.S. Cl. D18/34.5**
- (58) **Field of Classification Search** 18/34.1–34.9, 18/99, 50; 83/167, 289, 302, 203, 523, 633; 241/169.1, 36, 154, 157, 222, 224, 158.1, 241/295, 37.5, 100, 236; 385/13; D34/7, D34/8, 9; D14/351, 352
See application file for complete search history.

- D404,756 S 1/1999 Dziarsk
- D410,246 S 5/1999 Holderfield
- D410,946 S 6/1999 Holderfield
- D412,716 S 8/1999 Kroger
- 5,961,059 A 10/1999 Kroger
- 6,079,645 A 6/2000 Henreckson et al.
- D437,343 S 2/2001 Ho
- D442,954 S * 5/2001 Huber et al. D14/351
- D446,543 S 8/2001 Ho
- D448,794 S 10/2001 Wei et al.
- D449,850 S 10/2001 Ho
- D451,947 S 12/2001 Wu et al.
- D451,948 S 12/2001 Wu et al.
- D454,907 S 3/2002 Ho
- D455,171 S 4/2002 Ho
- 6,390,397 B1 5/2002 Ko
- 6,390,398 B1 * 5/2002 Wu Huang 241/100
- D461,186 S * 8/2002 Chen et al. D14/351

(Continued)

Primary Examiner—Charles A. Rademaker
(74) *Attorney, Agent, or Firm*—Michael Best & Friedrich LLP

(56) **References Cited**
U.S. PATENT DOCUMENTS

- 3,286,574 A 11/1966 Durand
- 3,620,461 A 11/1971 Pelleschi et al.
- D225,179 S 11/1972 Macowski
- 4,192,467 A 3/1980 Hatanaka
- 4,564,146 A 1/1986 Bleasdale
- 4,700,902 A * 10/1987 Yeomans 241/100
- D299,035 S 12/1988 Nishibori et al.
- D299,148 S 12/1988 Nishibori et al.
- 4,798,116 A 1/1989 Silver et al.
- 4,821,967 A 4/1989 Moriyama
- 4,957,243 A 9/1990 Kanagaki et al.
- 4,997,134 A 3/1991 MacGregor
- 5,035,366 A * 7/1991 Hashimoto et al. 241/100
- D320,807 S 10/1991 Krause et al.
- D329,055 S 9/1992 Krause et al.
- 5,295,633 A 3/1994 Kimbro et al.
- 5,342,582 A 8/1994 Horn et al.
- 5,354,001 A 10/1994 Hasegawa
- 5,429,313 A 7/1995 Schwelling
- D375,973 S 11/1996 Kennedy et al.

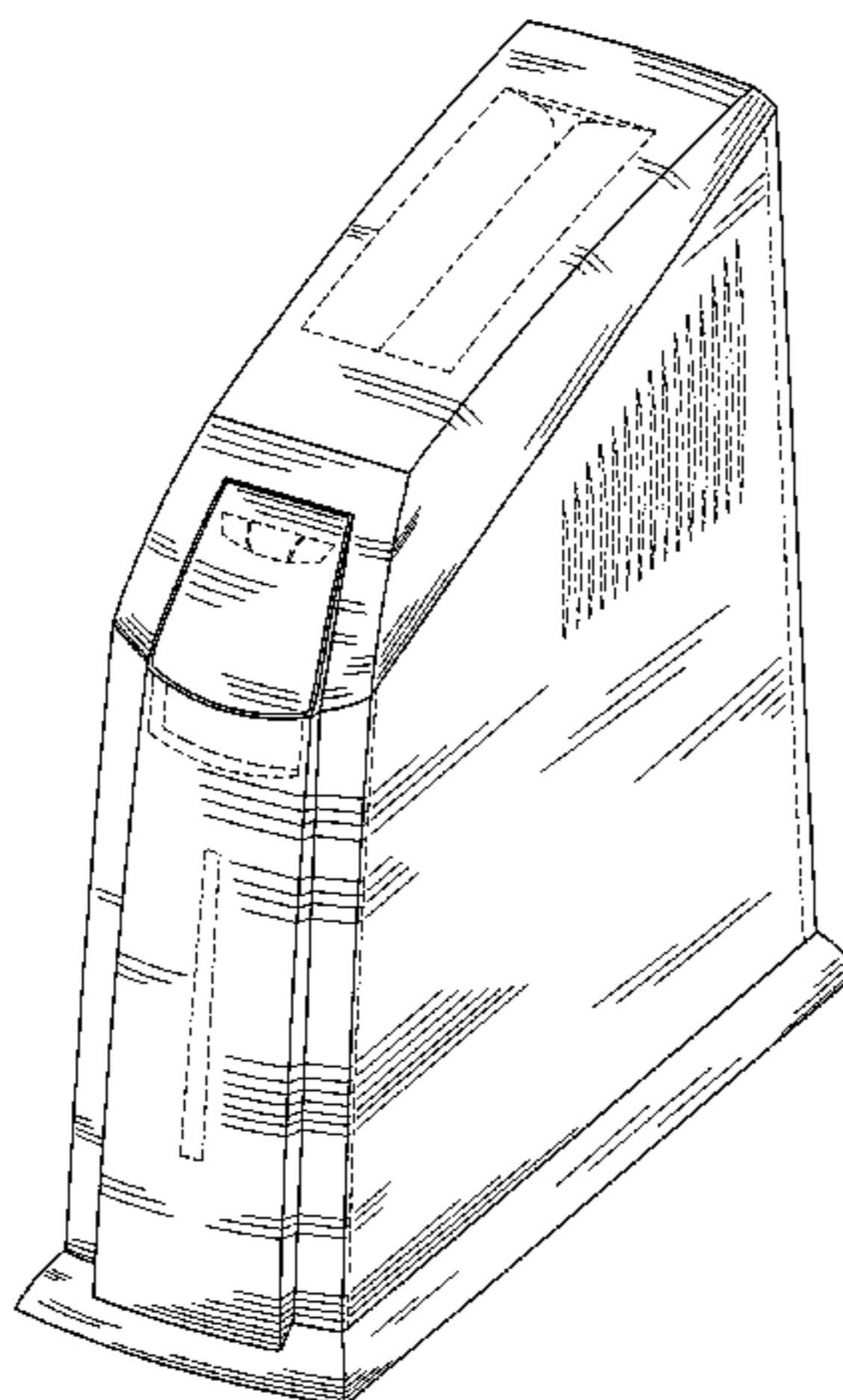
(57) **CLAIM**

The ornamental design for a shredder, as shown and described.

DESCRIPTION

FIG. 1 is a top, front and right side perspective view of a shredder showing our new design;
FIG. 2 is a top plan view thereof;
FIG. 3 is a bottom plan thereof;
FIG. 4 is a front elevation thereof;
FIG. 5 is a rear elevation thereof;
FIG. 6 is a left side elevation thereof; and,
FIG. 7 is a right side elevation thereof.
The broken lines are for illustration purposes only and form no part of the claimed design.

1 Claim, 5 Drawing Sheets



US D544,904 S

Page 2

U.S. PATENT DOCUMENTS

D474,231 S	5/2003	Lammers et al.	D502,729 S	3/2005	Lo	
D477,016 S	7/2003	Lee	D502,960 S	3/2005	Lo	
D488,902 S *	4/2004	Yang et al.	D502,961 S	3/2005	Lo	
6,779,747 B2	8/2004	McLean et al.	D503,021 S *	3/2005	Yang et al.	D34/9
D498,252 S	11/2004	Lo	6,962,310 B1 *	11/2005	Bigelow	244/158.1
D498,253 S	11/2004	Lo	6,964,386 B2 *	11/2005	Ho	241/100
D501,476 S *	2/2005	Quijano	D532,443 S *	11/2006	Bai	D18/34.4
		D14/352	D532,444 S *	11/2006	Kao et al.	D18/34.4

* cited by examiner

FIG. 1

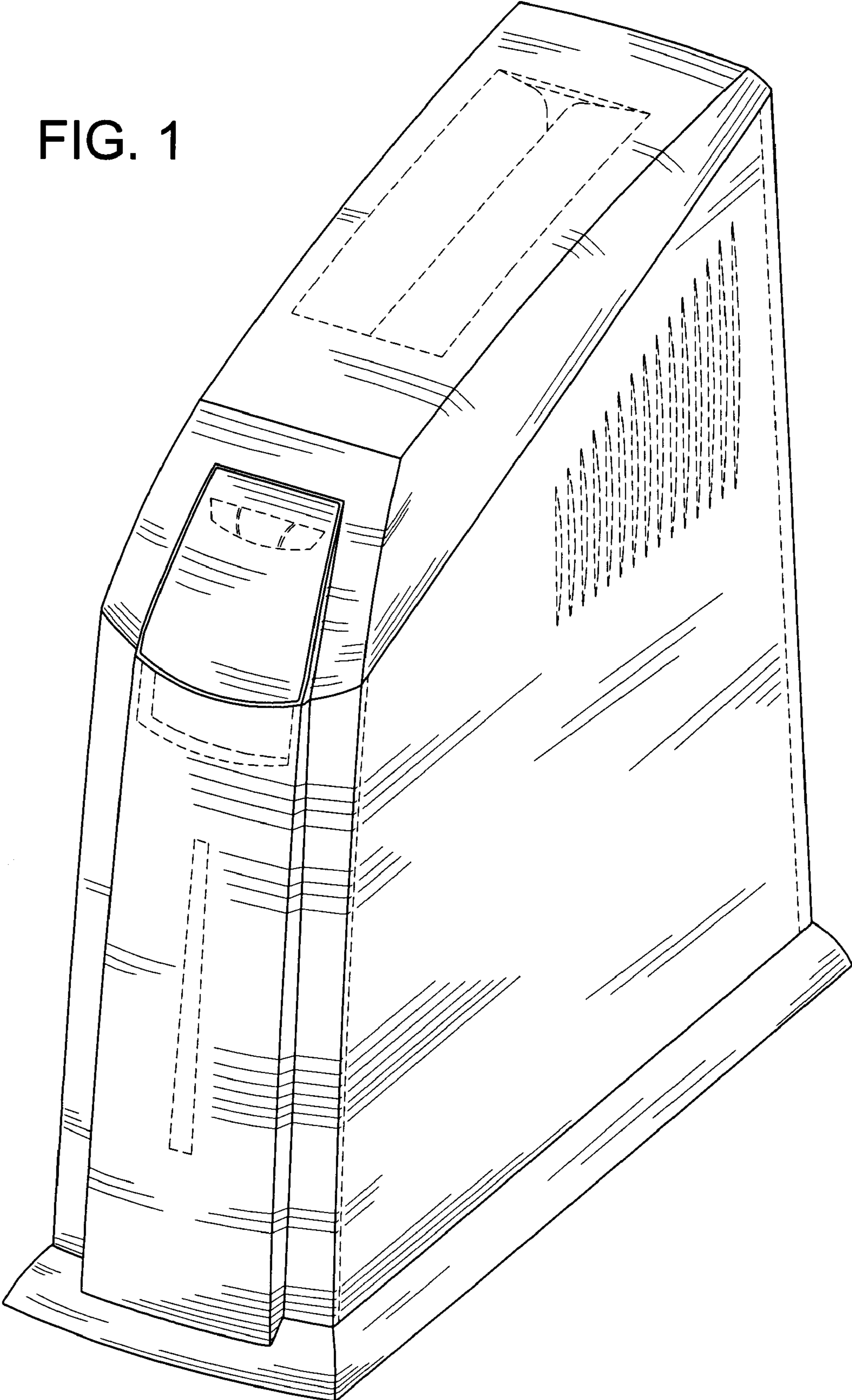


FIG. 2

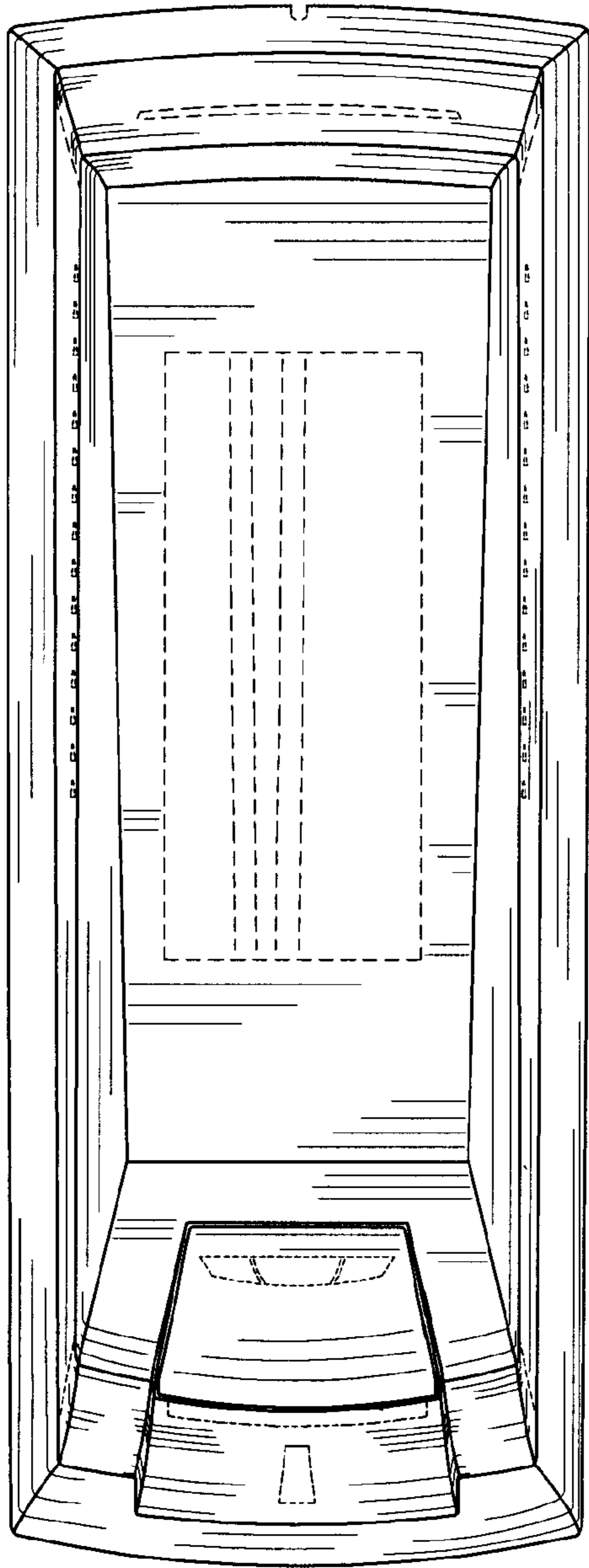


FIG. 3

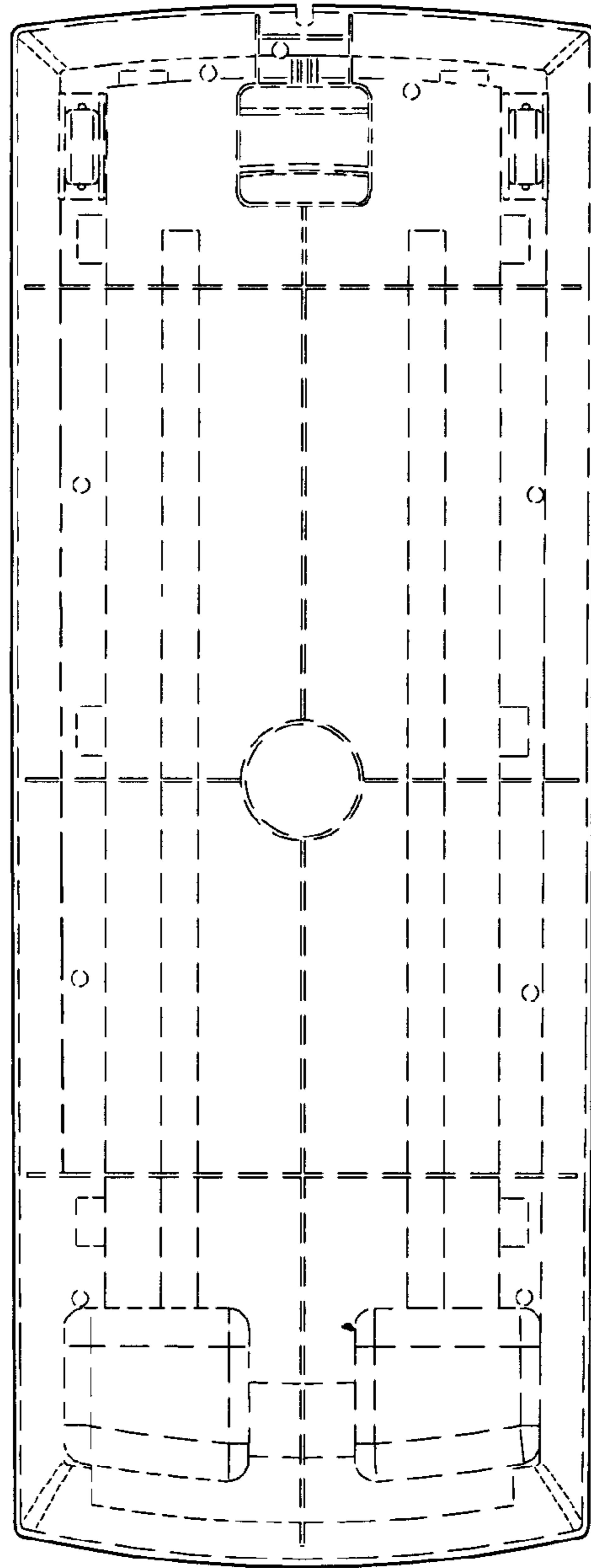


FIG. 4

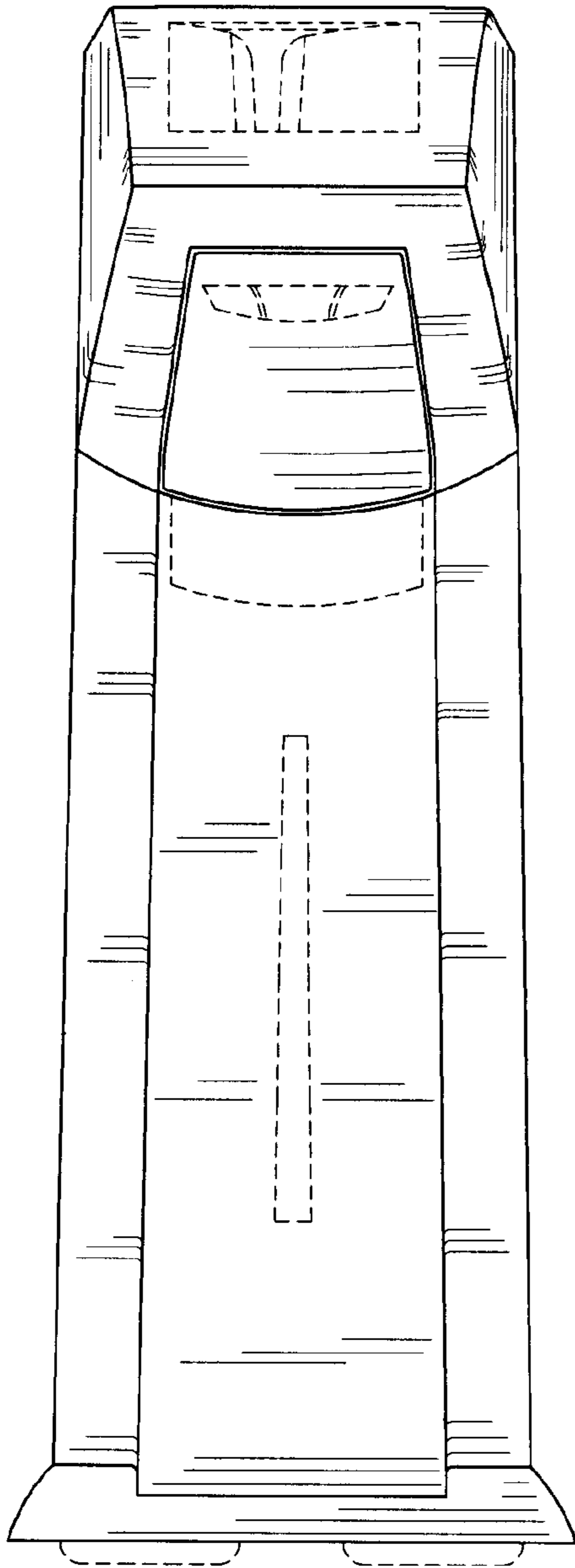


FIG. 5

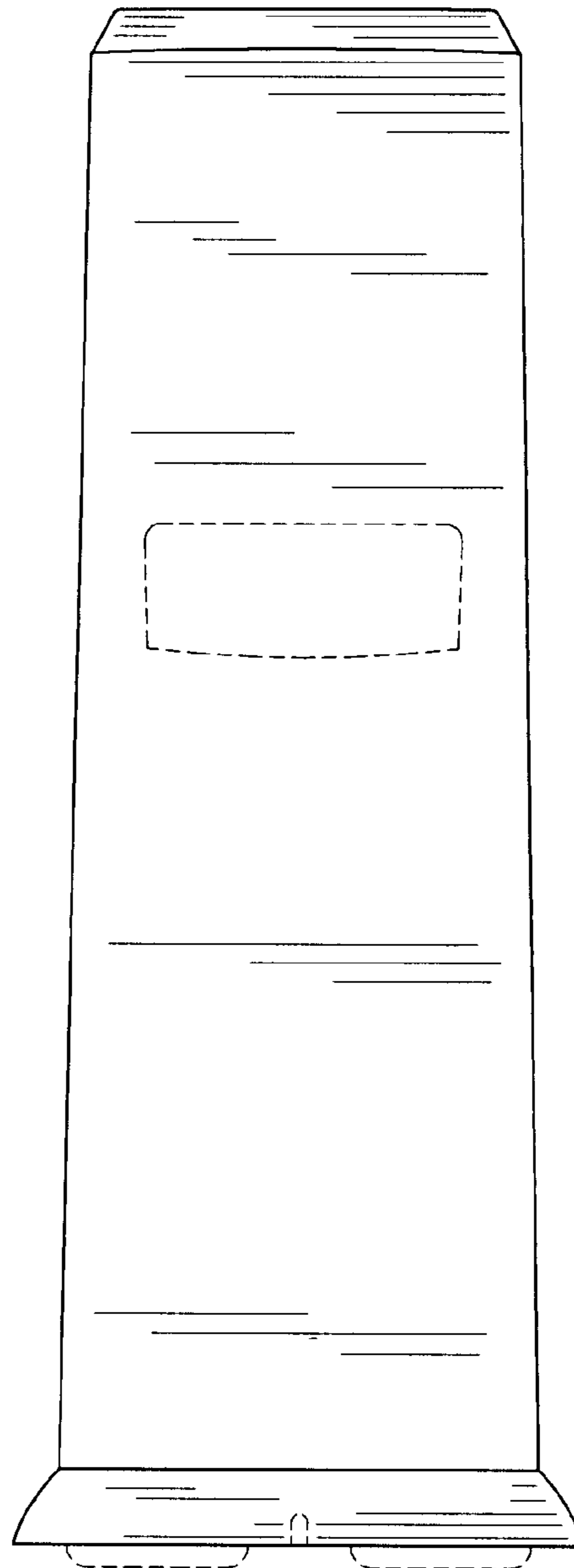


FIG. 6

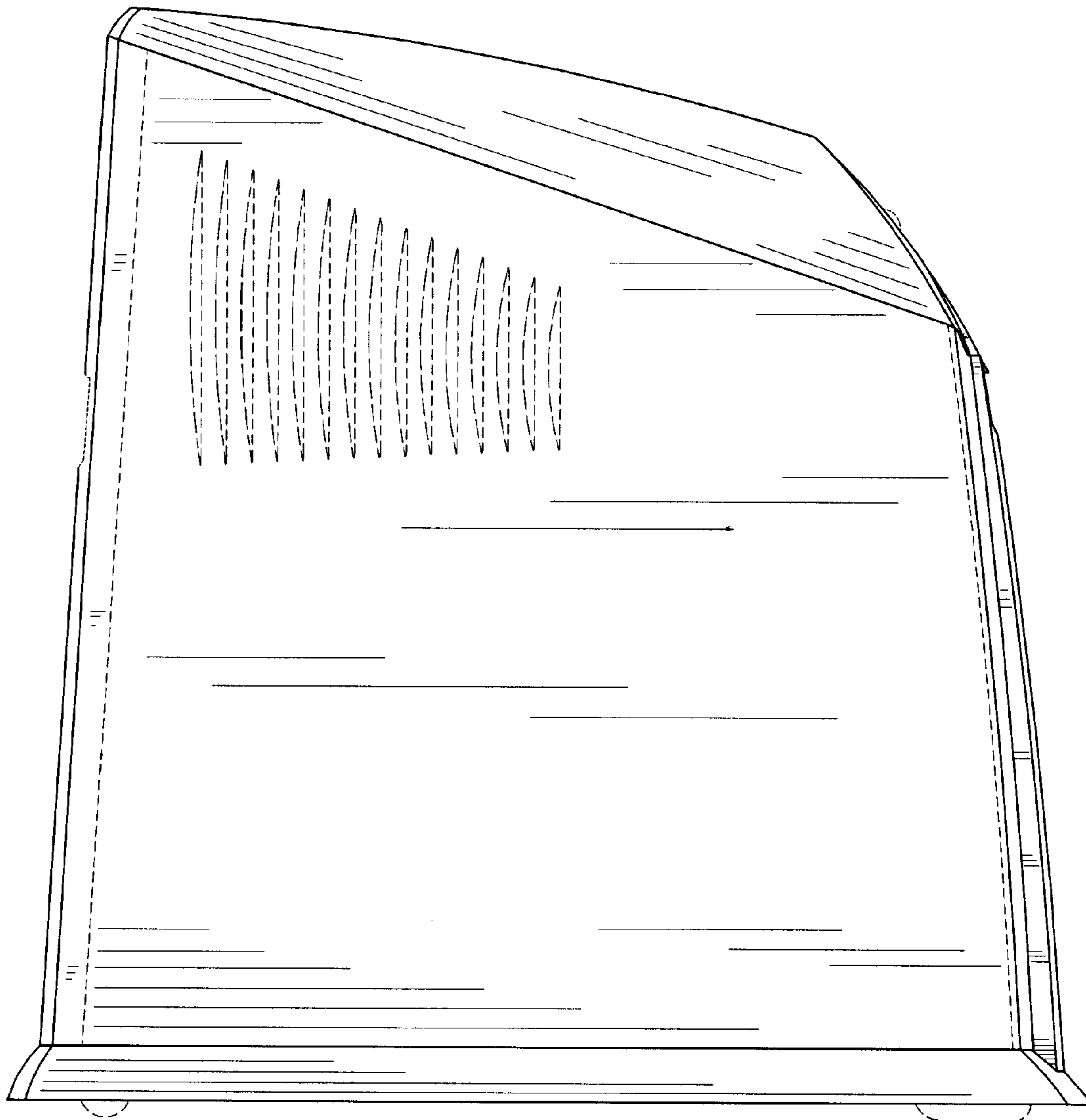


FIG. 7

