



US00D544901S

(12) **United States Design Patent**  
**Fuchs**

(10) **Patent No.:** **US D544,901 S**  
(45) **Date of Patent:** **\*\* Jun. 19, 2007**

(54) **EYEGLASSES**

6,711,779 B1 3/2004 Fuchs et al.

(75) Inventor: **Gerhard Fuchs**, Kauns (AT)

**OTHER PUBLICATIONS**

(73) Assignee: **Silhouette International Schmied AG**,  
Linz (AT)

Supplement to The Optician, p. 2, Nov. 26, 1982.\*  
Ray Ban catalog, p. 17, 1999.\*

(\*\*) Term: **14 Years**

\* cited by examiner

(21) Appl. No.: **29/223,511**

*Primary Examiner*—Raphael Barkai  
(74) *Attorney, Agent, or Firm*—Alston & Bird LLP

(22) Filed: **Feb. 15, 2005**

(57) **CLAIM**

(30) **Foreign Application Priority Data**

The ornamental design for eyeglasses, as shown and described.

Nov. 12, 2004 (EM) ..... 000253703

**DESCRIPTION**

(51) **LOC (8) Cl.** ..... **16-06**

FIG. 1 is a perspective view of eyeglasses according to my new design;

(52) **U.S. Cl.** ..... **D16/327; D16/334**

FIG. 2 is an enlarged front elevation view thereof;

(58) **Field of Classification Search** ..... D16/101,  
D16/300–330; D29/109–110; D24/110.2;  
351/41, 44, 43, 51–52, 158, 116, 47–48, 57,  
351/58, 62, 103–111; 2/426, 428–430, 439–446,  
2/452, 435–437

FIG. 3 is an enlarged top view thereof;

See application file for complete search history.

FIG. 4 is an enlarged right side elevation view thereof, the left side elevation view being a mirror image thereof; and

(56) **References Cited**

**U.S. PATENT DOCUMENTS**

D105,421 S \* 7/1937 Splaine ..... D16/334  
3,724,934 A \* 4/1973 Bloom ..... 351/44  
4,196,982 A \* 4/1980 Watkins ..... 351/154  
5,137,242 A \* 8/1992 Reath ..... 248/309.1  
D410,022 S \* 5/1999 Conway ..... D16/327  
6,210,004 B1 \* 4/2001 Horikawa et al. .... 351/121  
6,357,874 B1 \* 3/2002 Miyazawa ..... 351/153

FIG. 5 is an enlarged rear elevation view thereof;

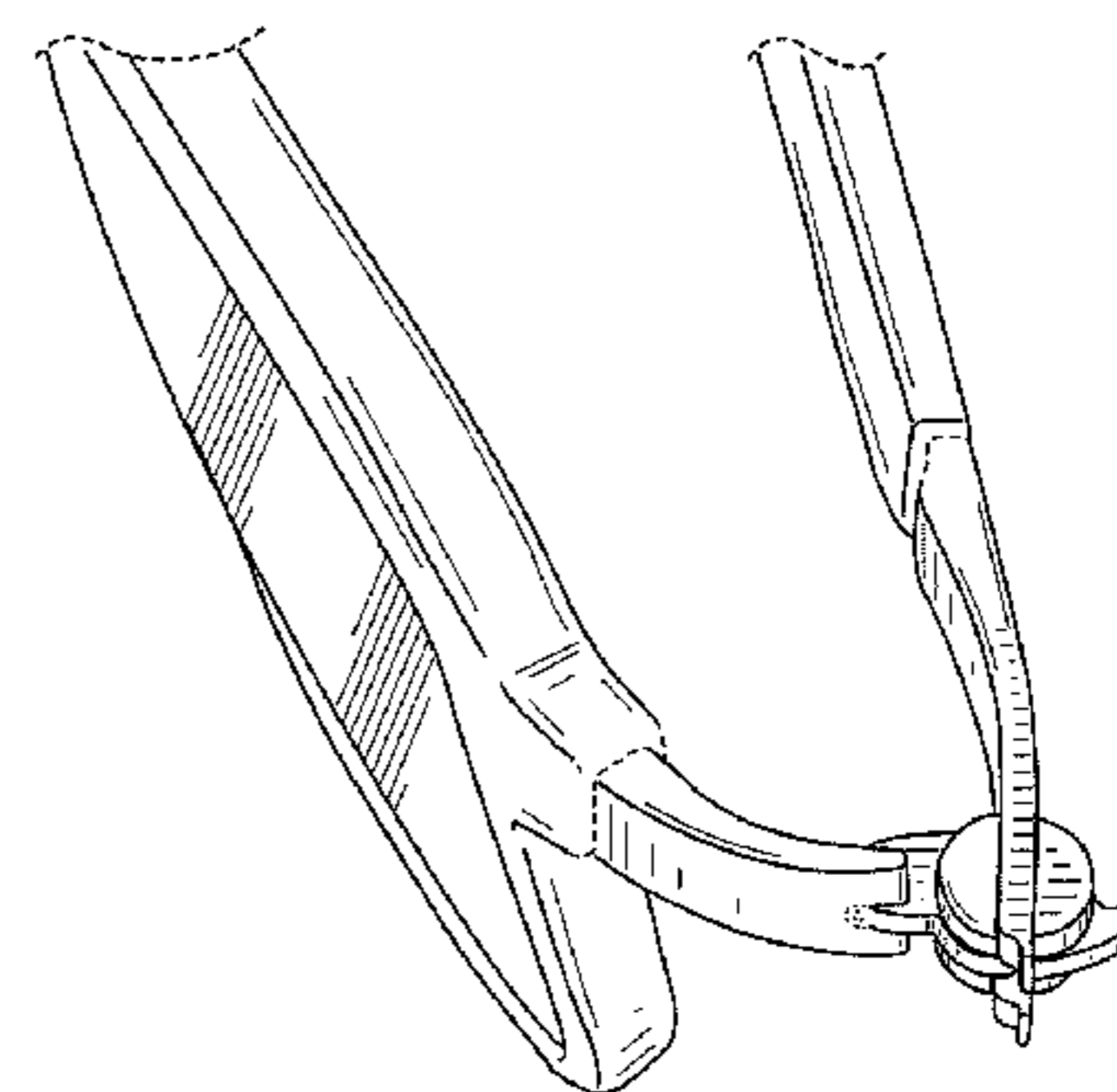
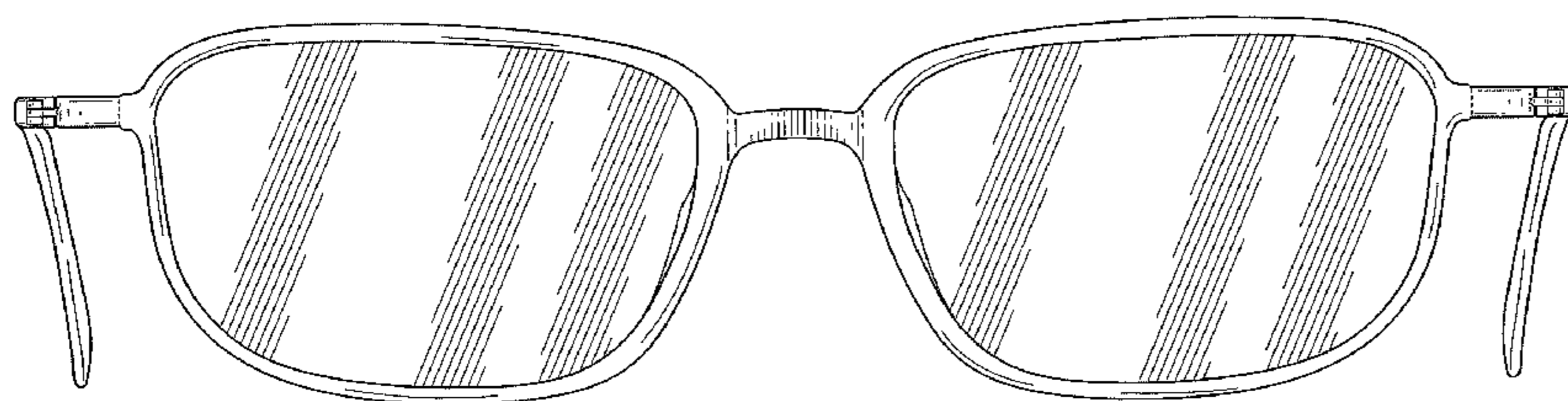
FIG. 6 is an enlarged bottom view thereof;

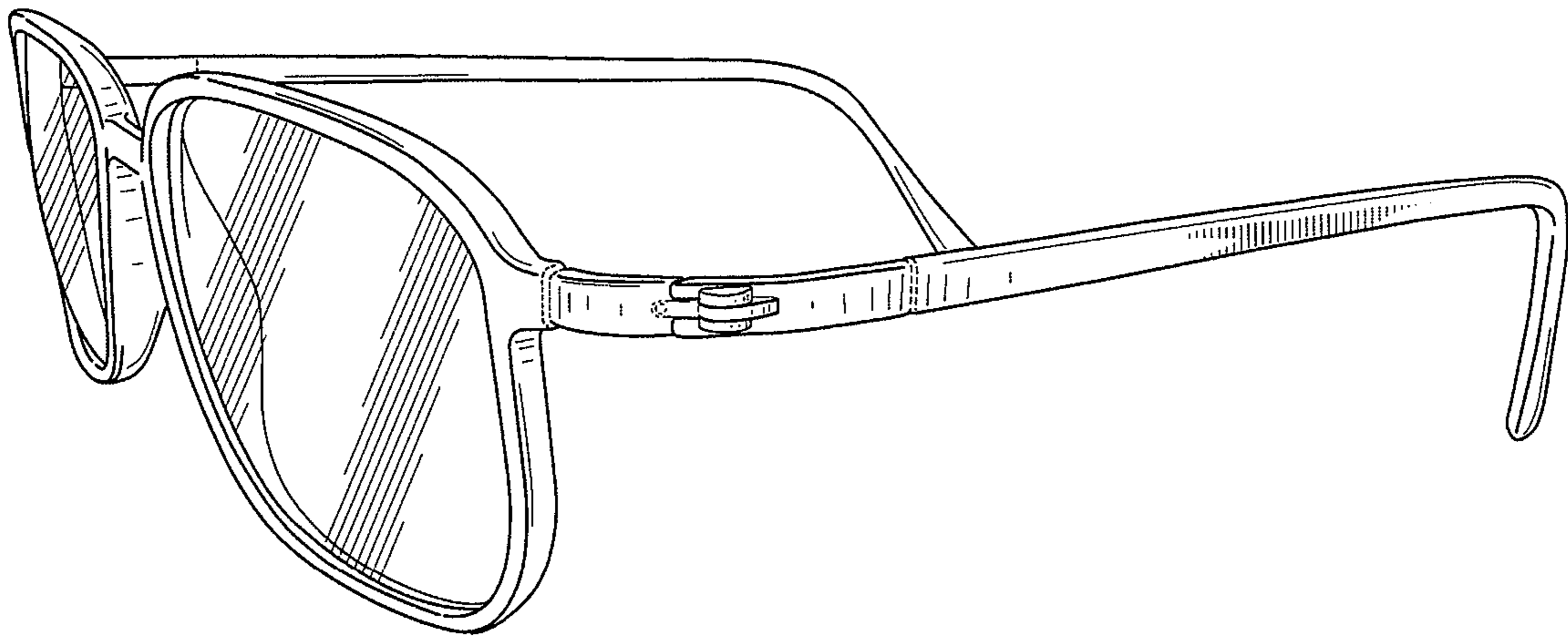
FIG. 7 is an enlarged fragment of another perspective view thereof; and,

FIG. 8 is an enlarged fragment of yet another perspective view thereof.

The broken lines shown herein are for illustrative purposes only and form no part of the claimed design.

**1 Claim, 8 Drawing Sheets**





**FIG. 1**

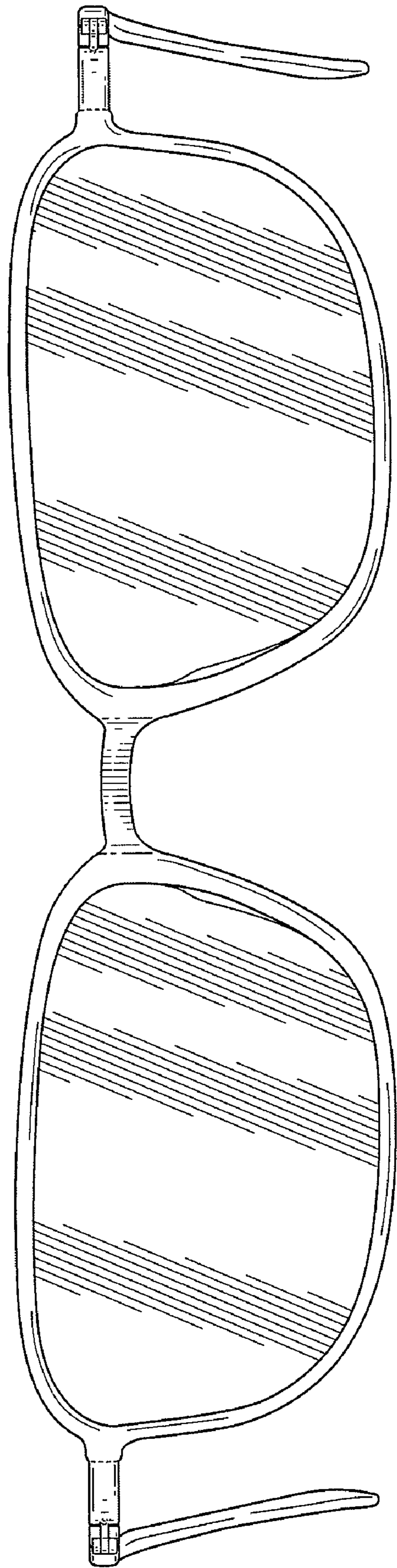


FIG. 2

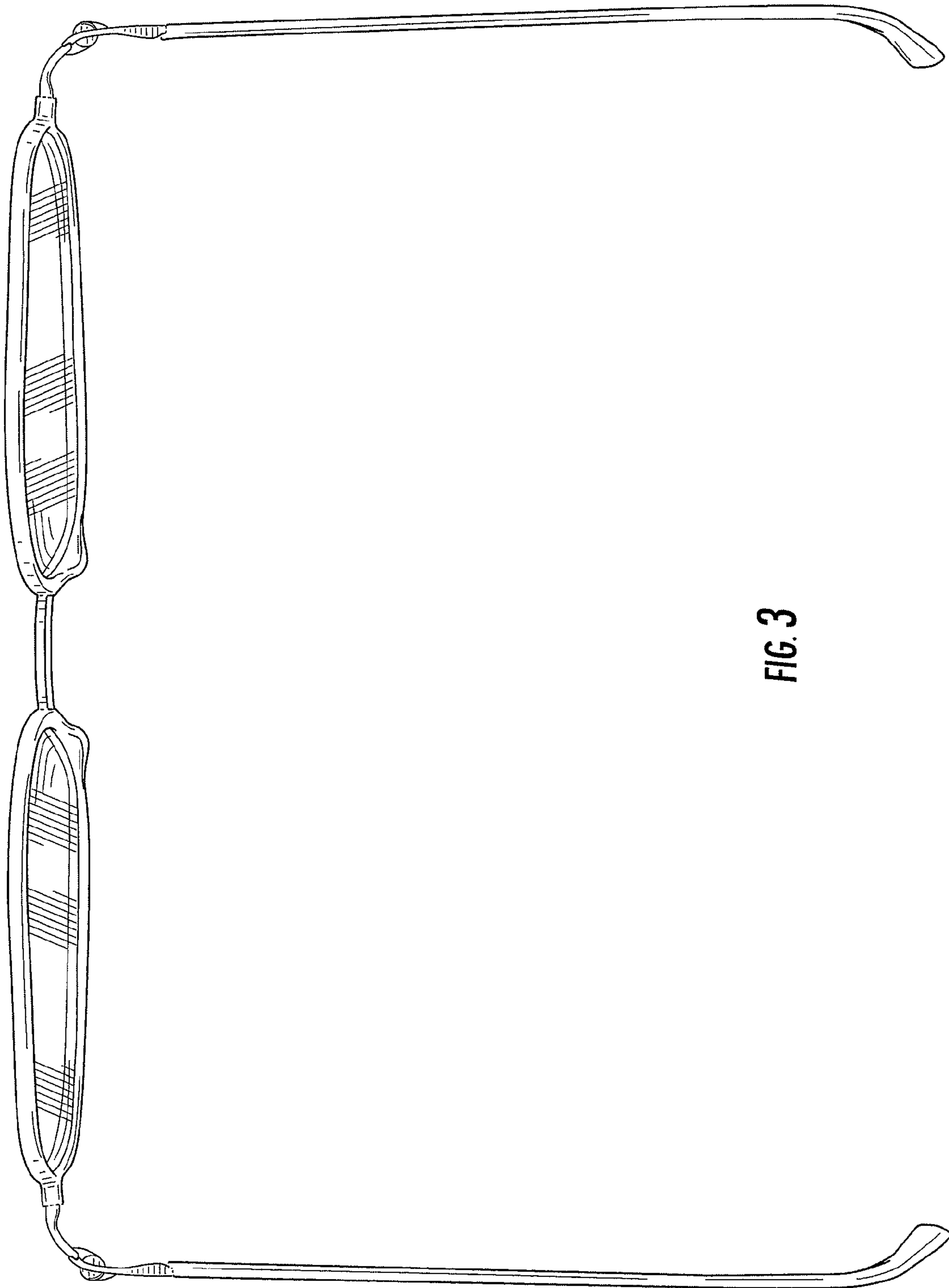


FIG. 3

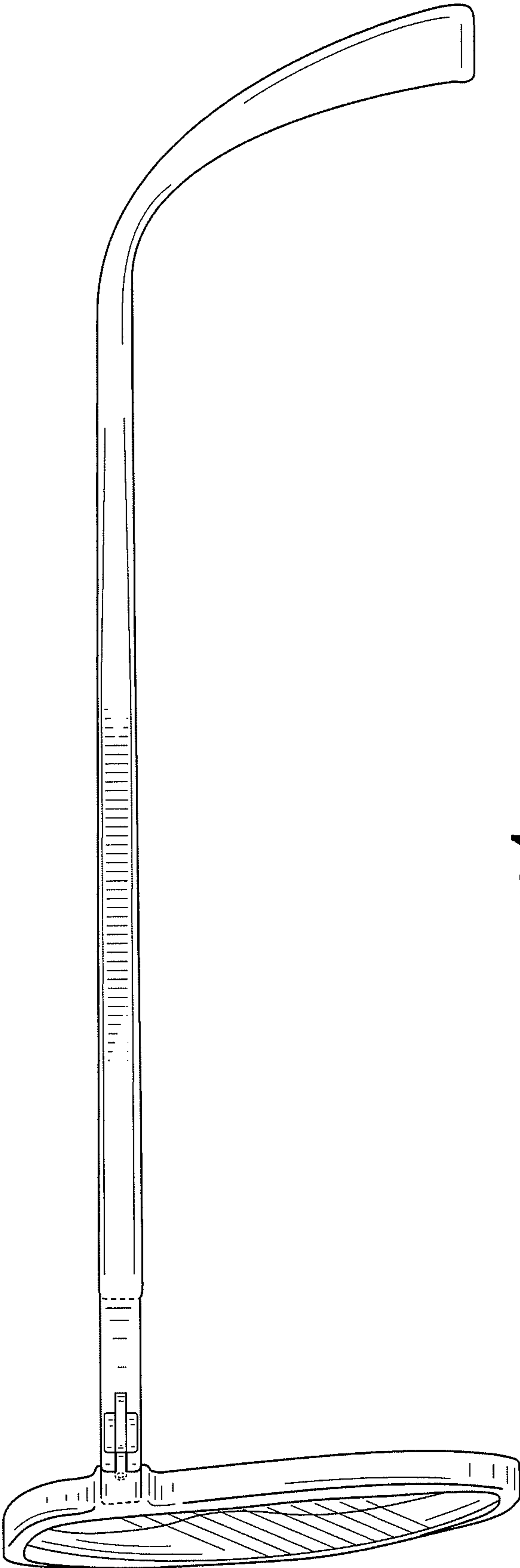


FIG. 4

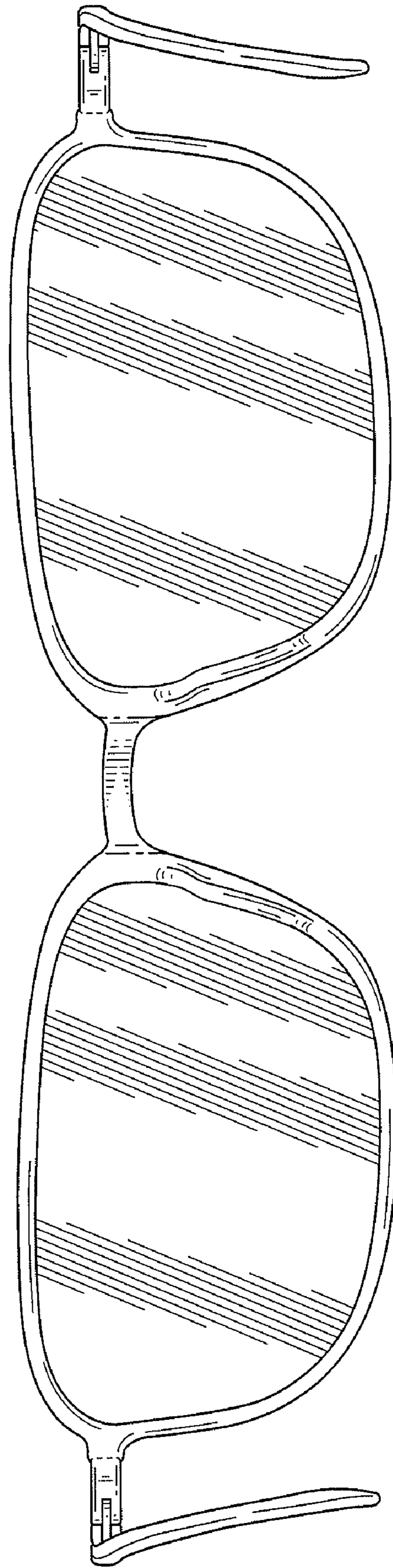


FIG. 5

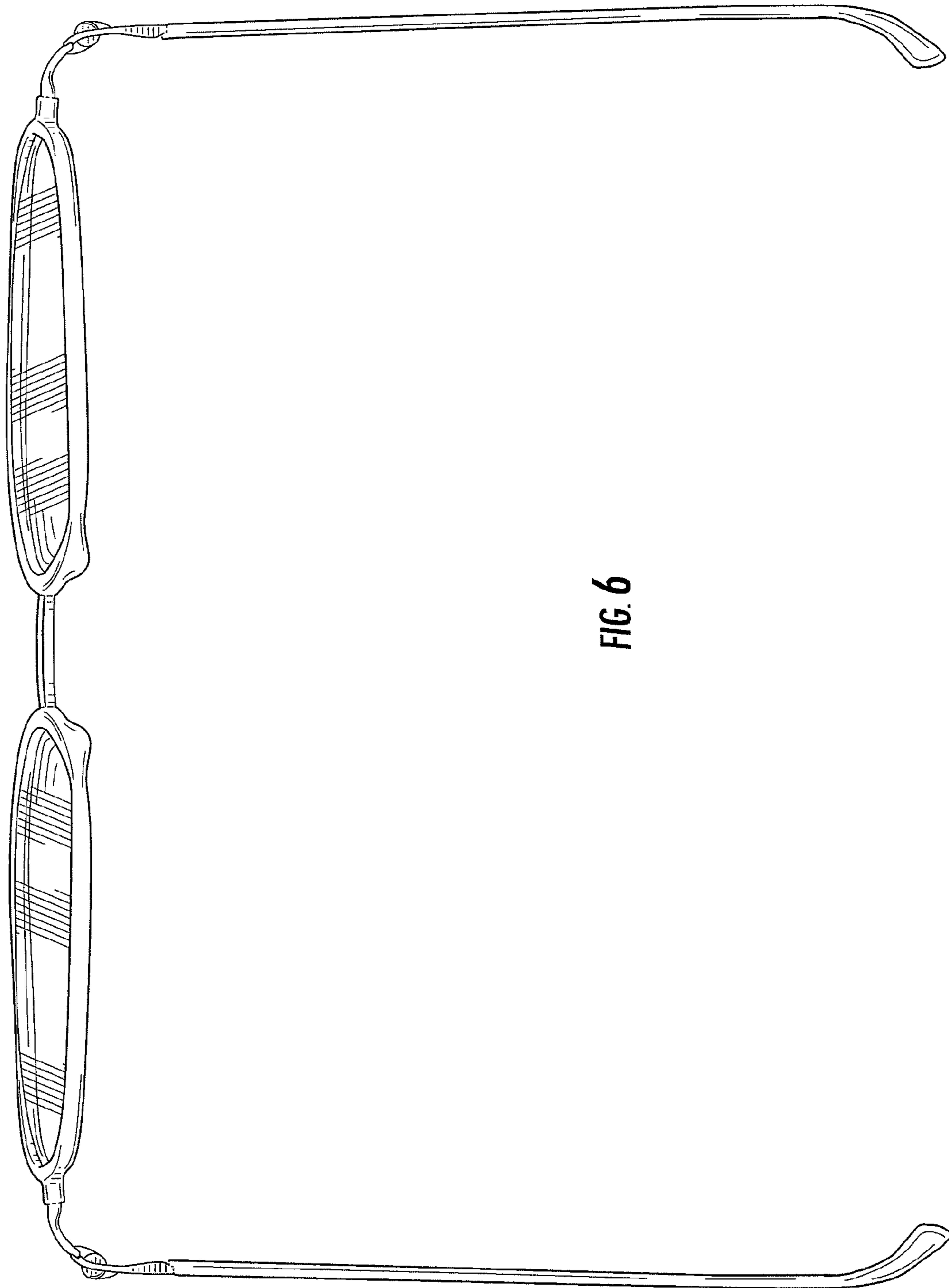
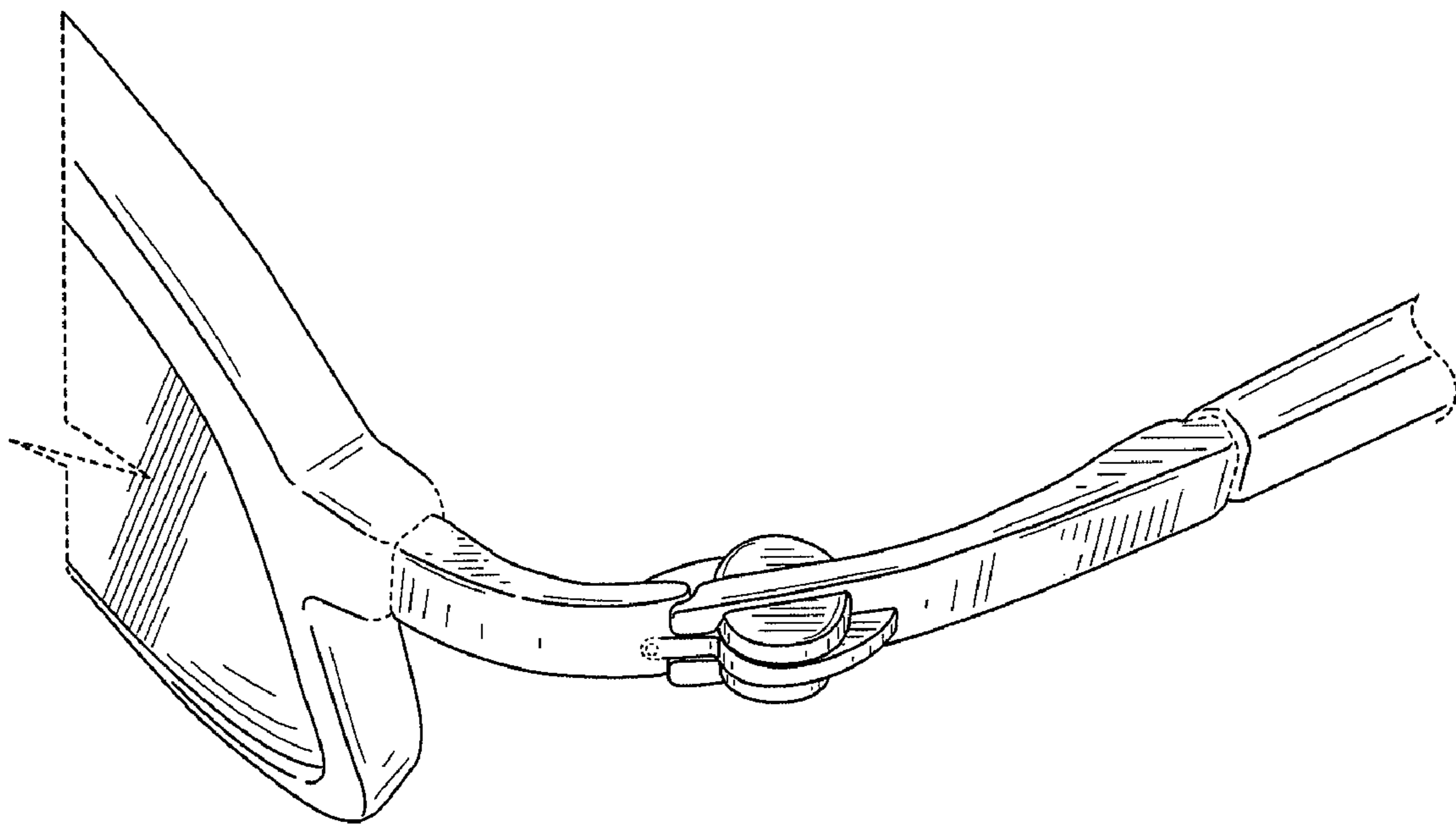
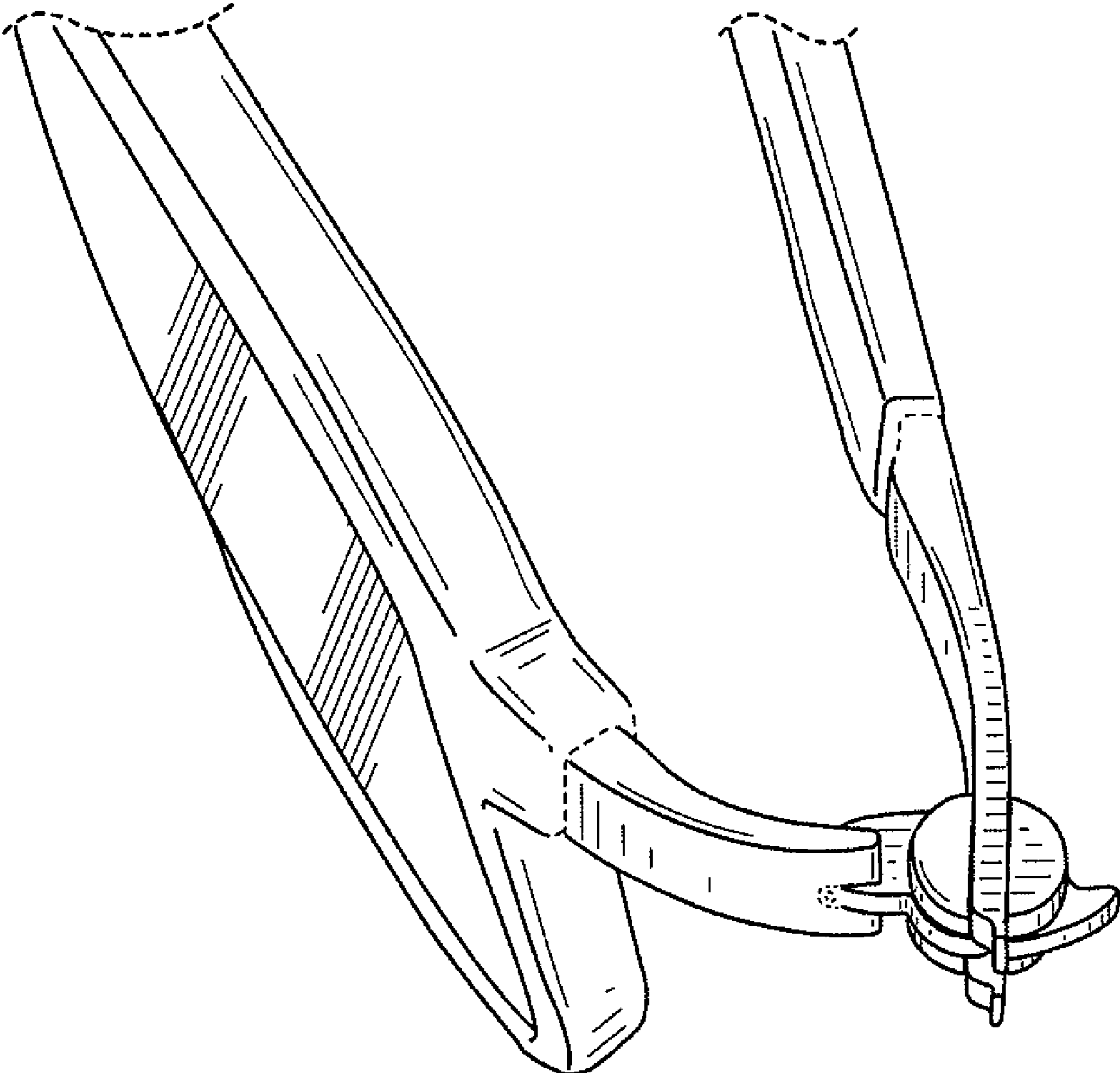


FIG. 6



**FIG. 7**





**FIG. 8**