



US00D544899S

(12) **United States Design Patent**
Li et al.

(10) **Patent No.:** **US D544,899 S**
(45) **Date of Patent:** **** Jun. 19, 2007**

(54) **DIGITAL CAMERA DOCKING STATION**

(57) **CLAIM**

(76) Inventors: **Shanshan Li**, 3404 E. Harmony Rd.,
Modular 5, Fort Collins, CO (US)
80528; **Eduardo Martres**, 3404 E.
Harmony Rd., Modular 5, Fort Collins,
CO (US) 80528; **Daniel J. Byrne**, 3404
E. Harmony Rd., Modular 5, Fort
Collins, CO (US) 80528

The ornamental design for a digital camera docking station,
as shown and described.

(**) Term: **14 Years**

DESCRIPTION

(21) Appl. No.: **29/223,322**

FIG. 1 is a front isometric view of a first embodiment of a
digital camera docking station;

(22) Filed: **Feb. 10, 2005**

FIG. 2 is a rear isometric view thereof;

(51) **LOC (8) Cl.** **16-05**

FIG. 3 is a top plan view thereof;

(52) **U.S. Cl.** **D16/242**

FIG. 4 is a bottom plan view thereof;

(58) **Field of Classification Search** D13/107,
D13/108; D16/202, 203, 208, 219, 237,
D16/242; 248/121, 126, 187.1; 348/373-376;
396/419, 428

FIG. 5 is a front elevational view thereof;

FIG. 6 is a rear elevational view thereof;

FIG. 7 is a left side elevational view thereof;

FIG. 8 is a right side elevational view thereof;

See application file for complete search history.

FIG. 9 is a front isometric view of a second embodiment of
a digital camera docking station;

FIG. 10 is a rear isometric view thereof;

(56) **References Cited**

U.S. PATENT DOCUMENTS

FIG. 11 is a top plan view thereof, the bottom plan view
being shown in FIG. 4;

FIG. 12 is a front elevational view thereof;

FIG. 13 is a rear elevational view thereof;

D349,125 S * 7/1994 Wilson et al. D16/208

D496,332 S * 9/2004 Naito D16/219

D508,459 S * 8/2005 Yoshida D13/108

D509,790 S * 9/2005 Sakai D13/108

D515,609 S * 2/2006 Heatherly et al. D16/208

7,075,579 B2 * 7/2006 Whitby et al. 348/375

D525,999 S * 8/2006 Matsuda D16/242

2004/0179135 A1 * 9/2004 Battles et al. 348/373

FIG. 14 is a left side elevational view thereof; and,

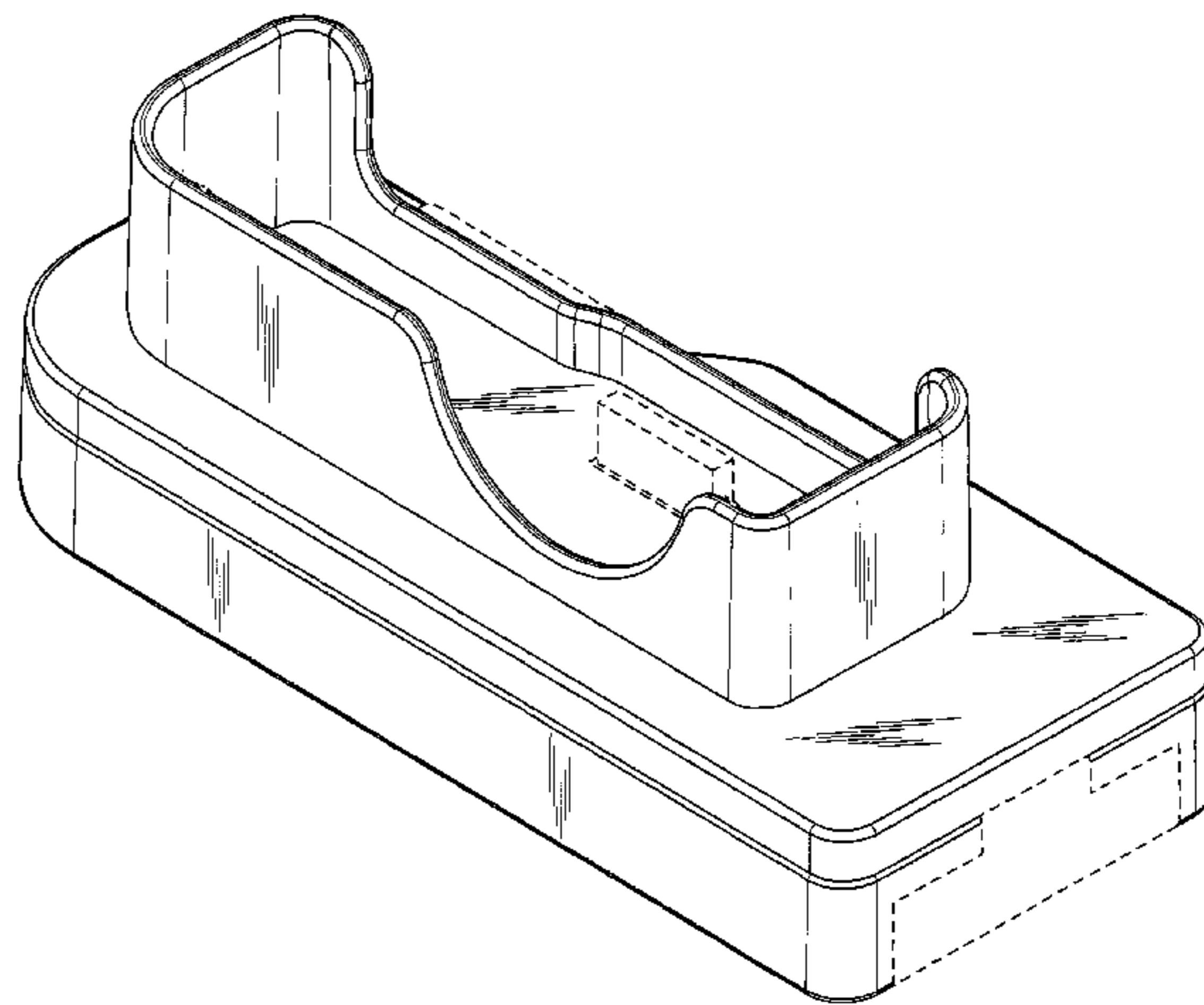
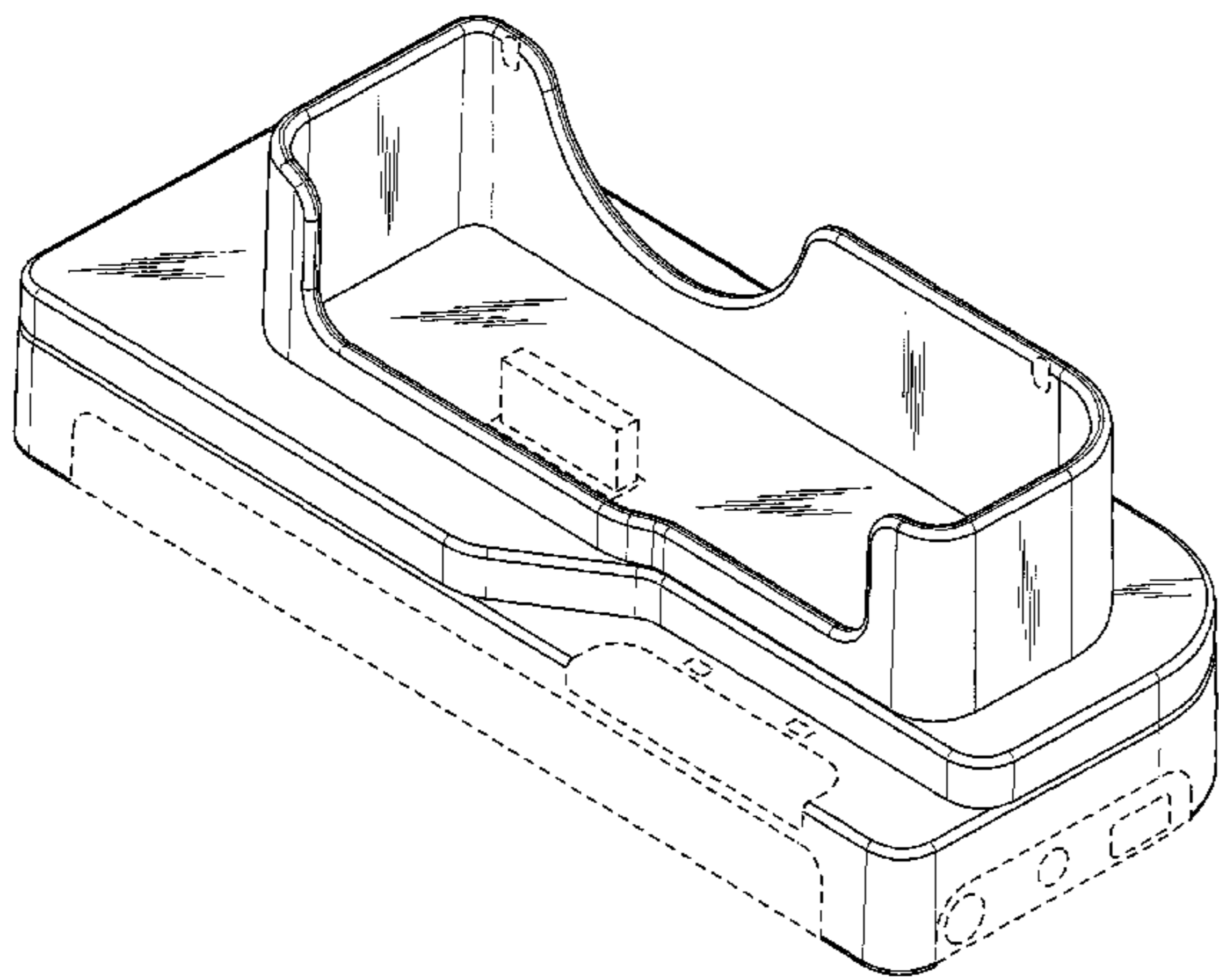
FIG. 15 is a right side elevational view thereof.

The portions of the digital camera docking station in broken
lines are shown for illustrative purposes only and form no
part of the claimed design.

* cited by examiner

Primary Examiner—Adir Aronovich

1 Claim, 13 Drawing Sheets



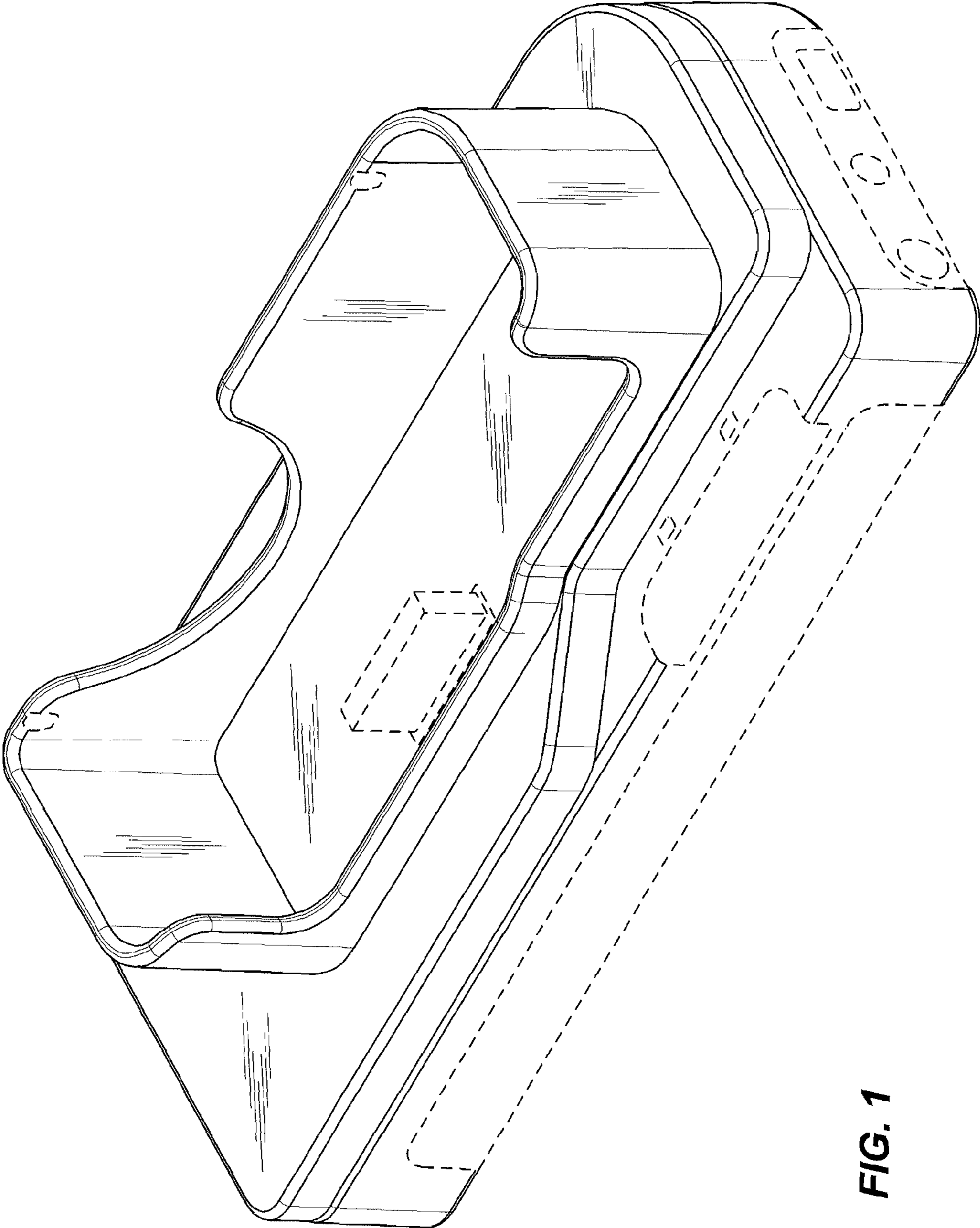


FIG. 1

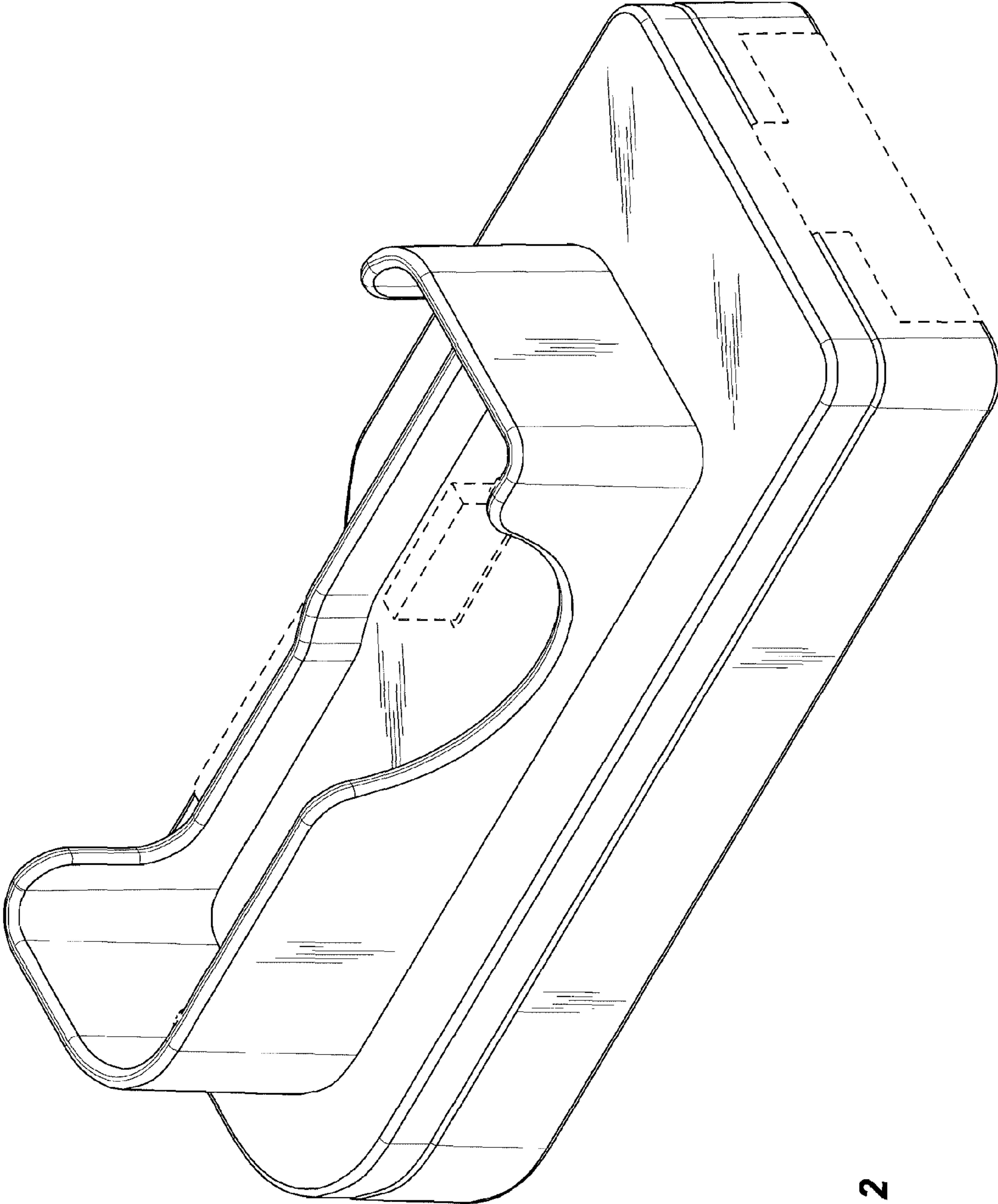


FIG. 2

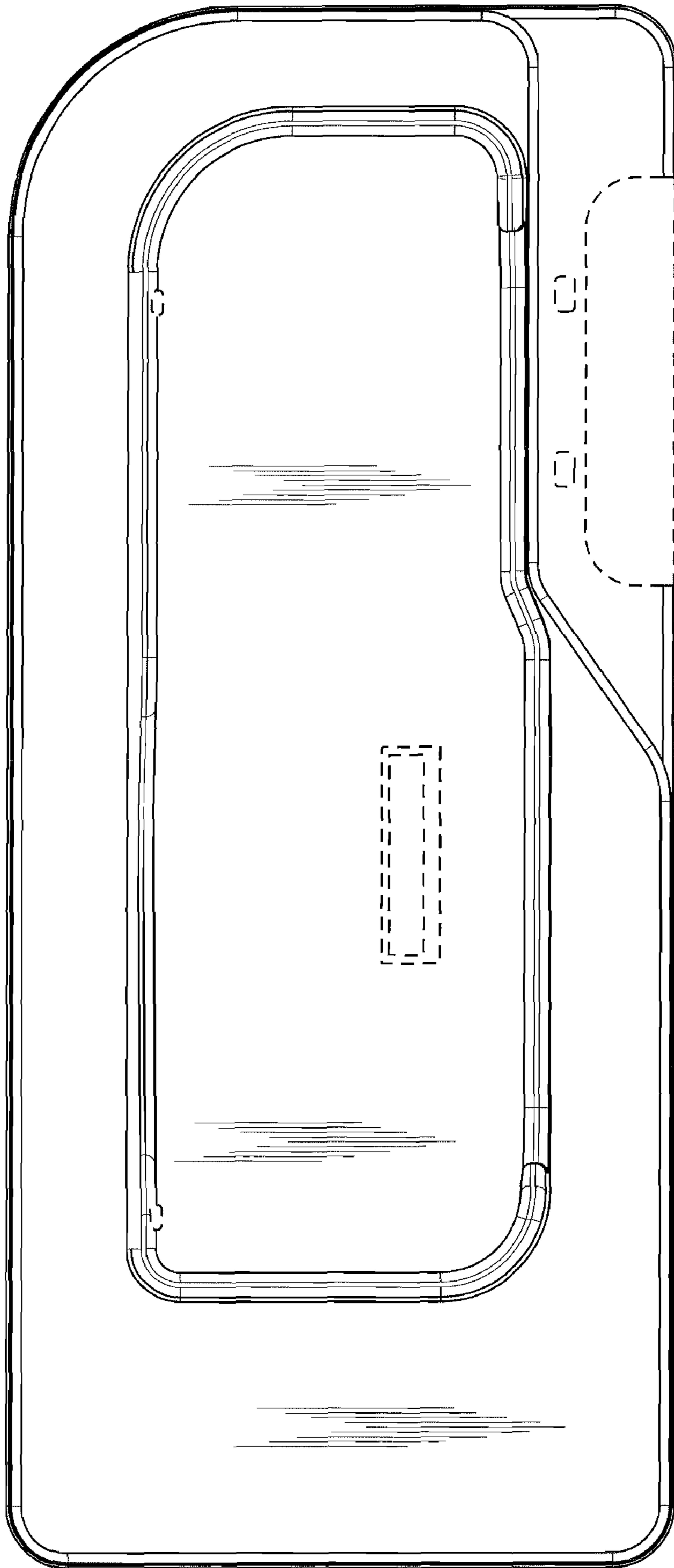


FIG. 3

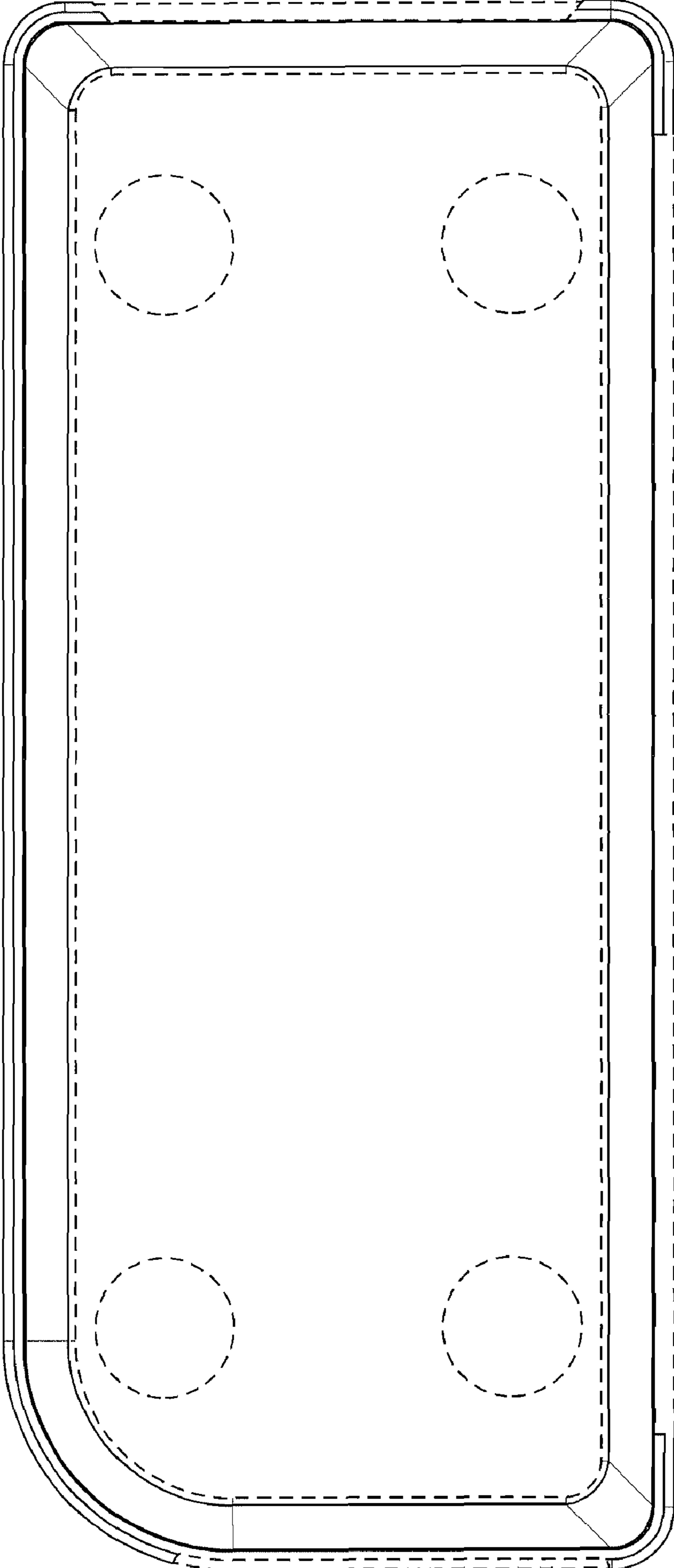


FIG. 4

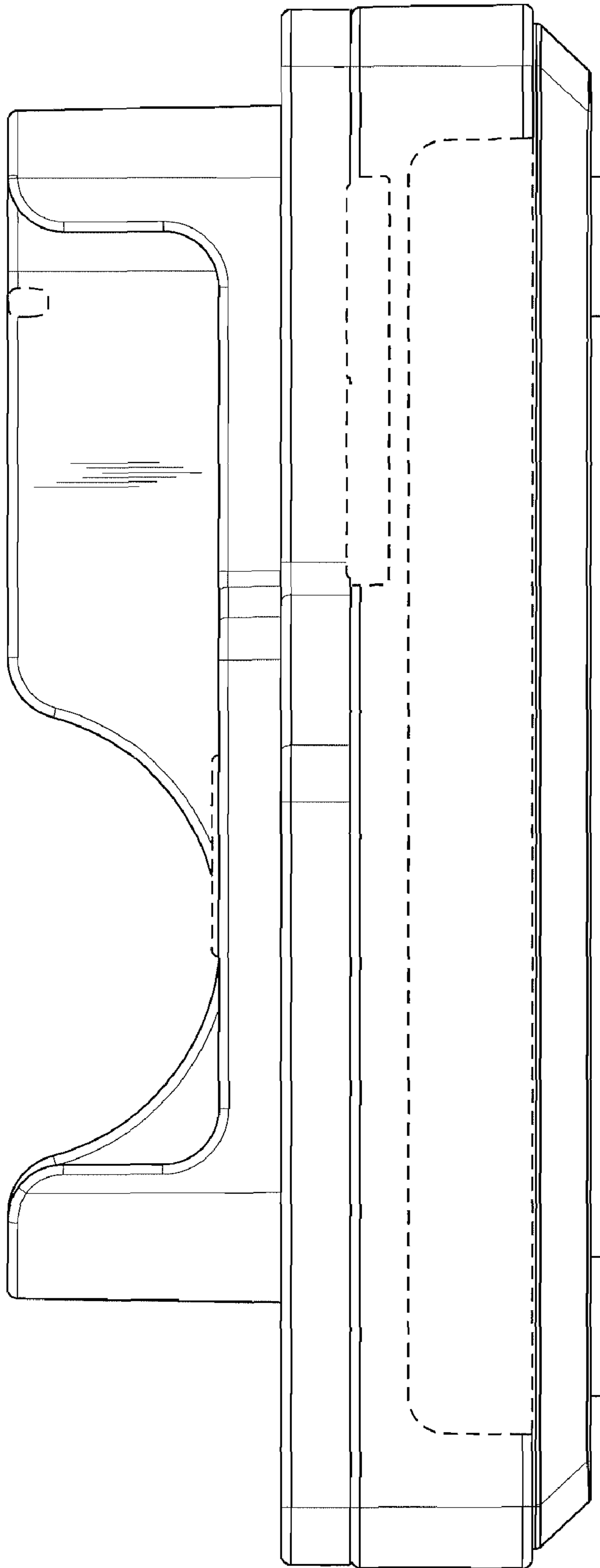


FIG. 5

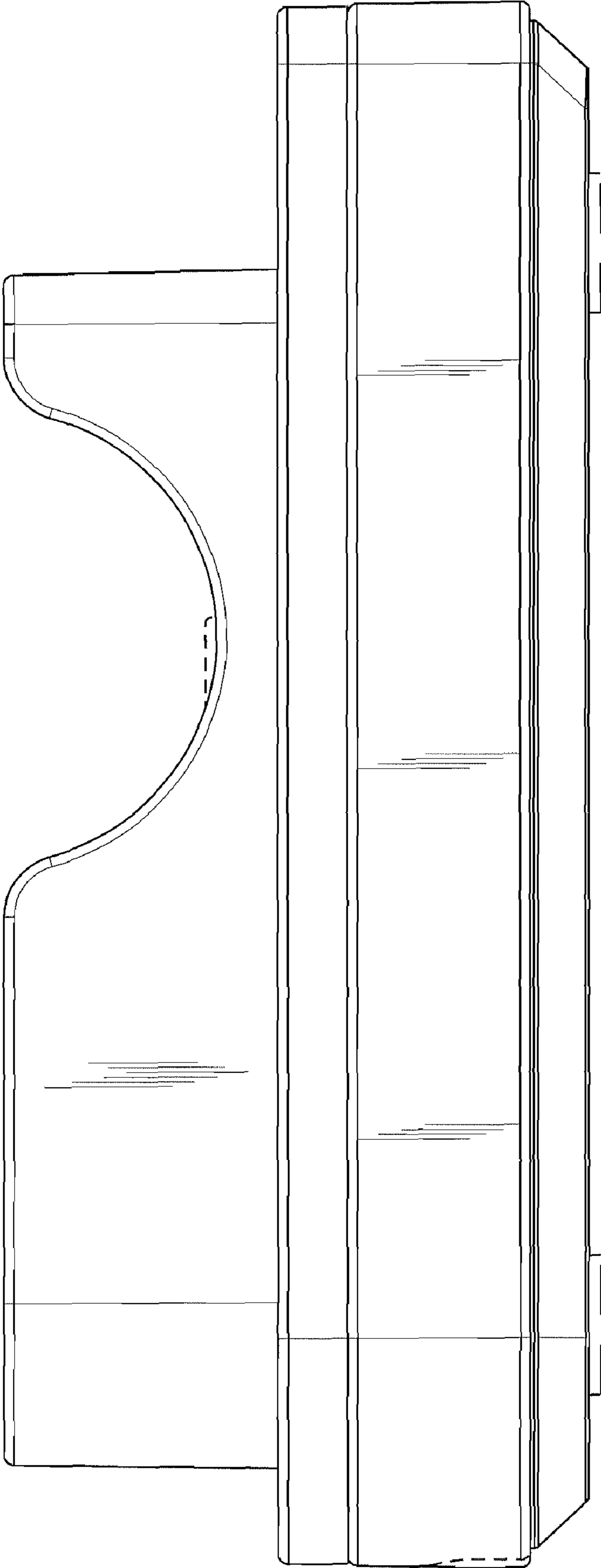


FIG. 6

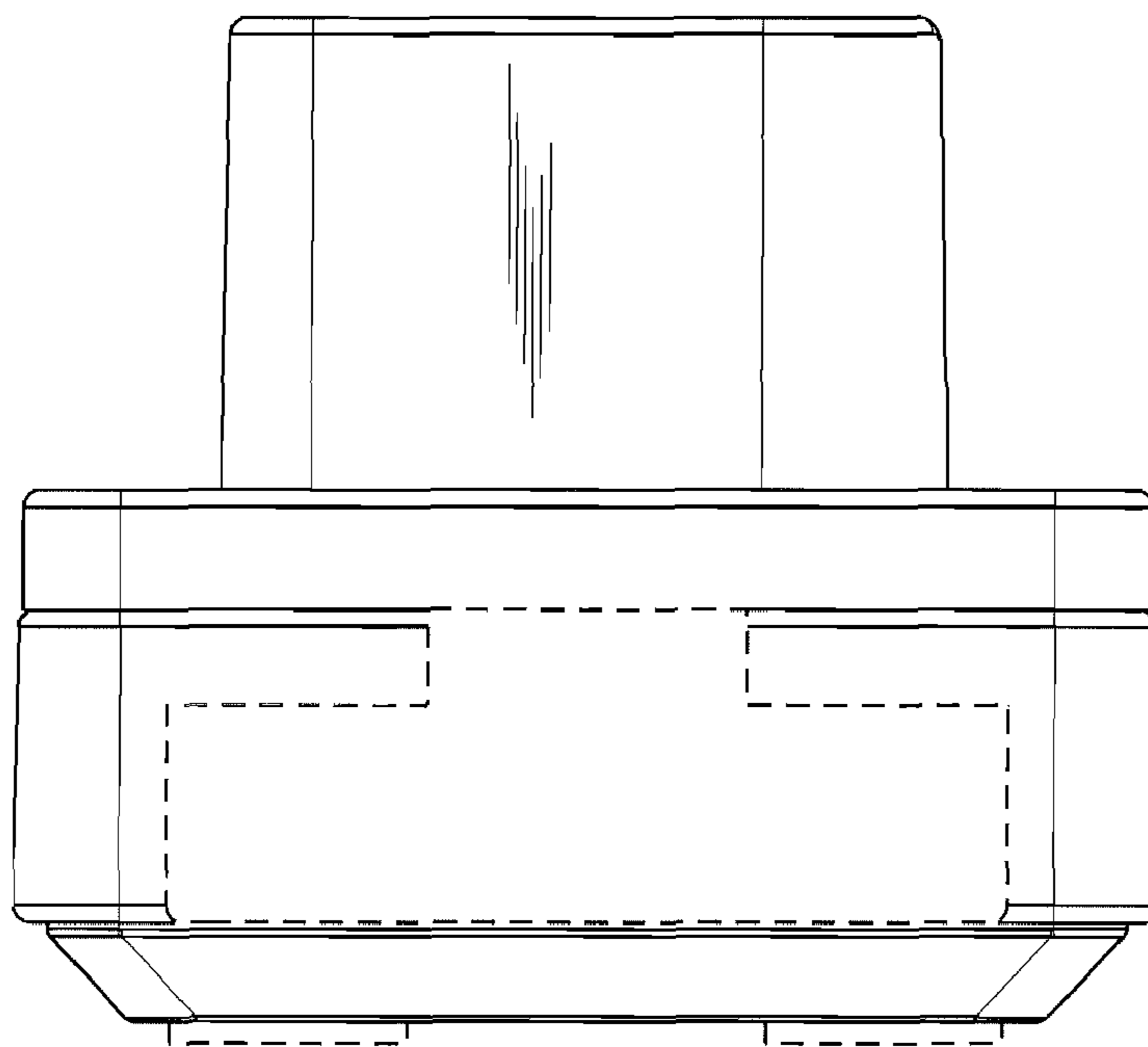


FIG. 7

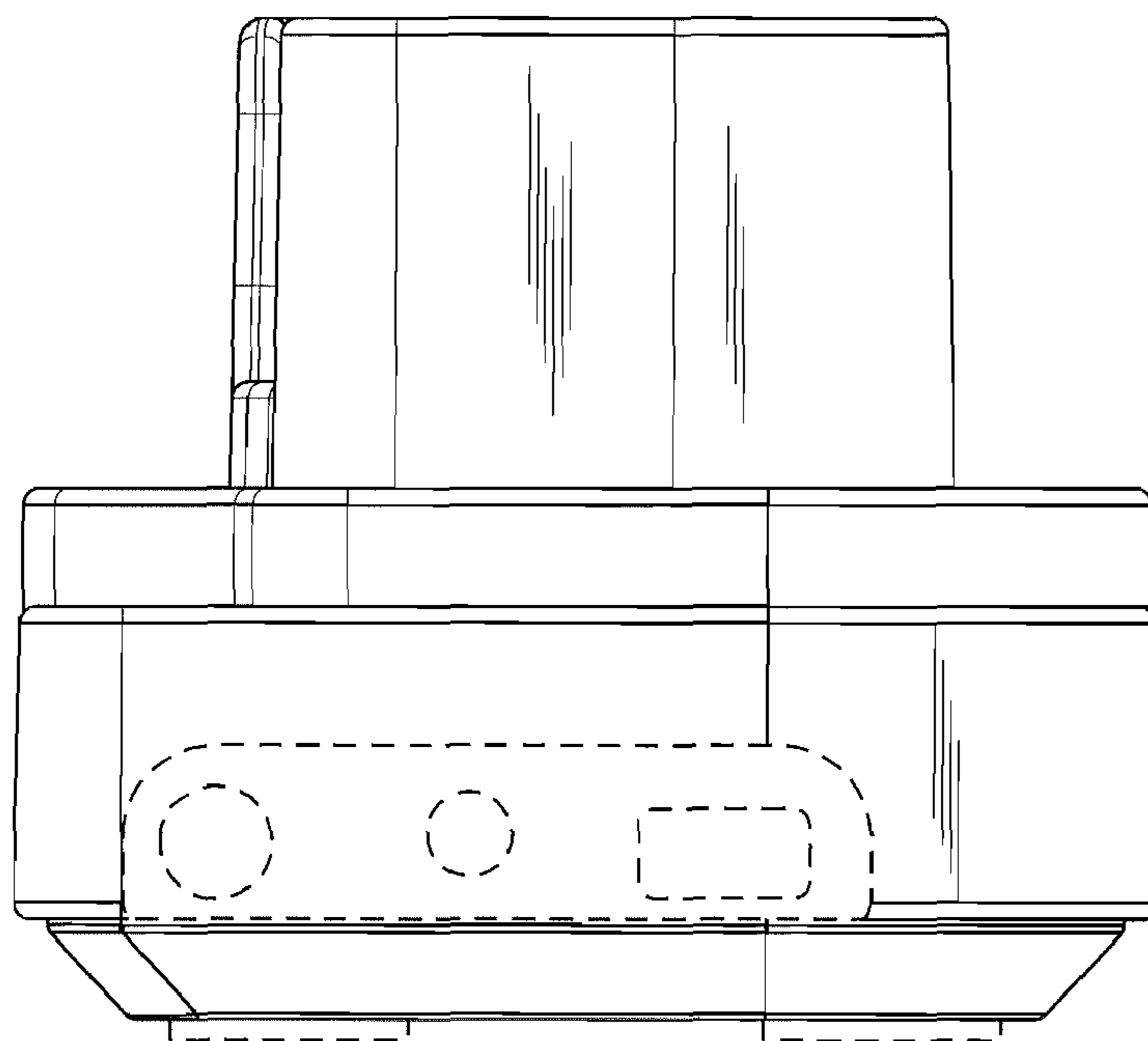


FIG. 8

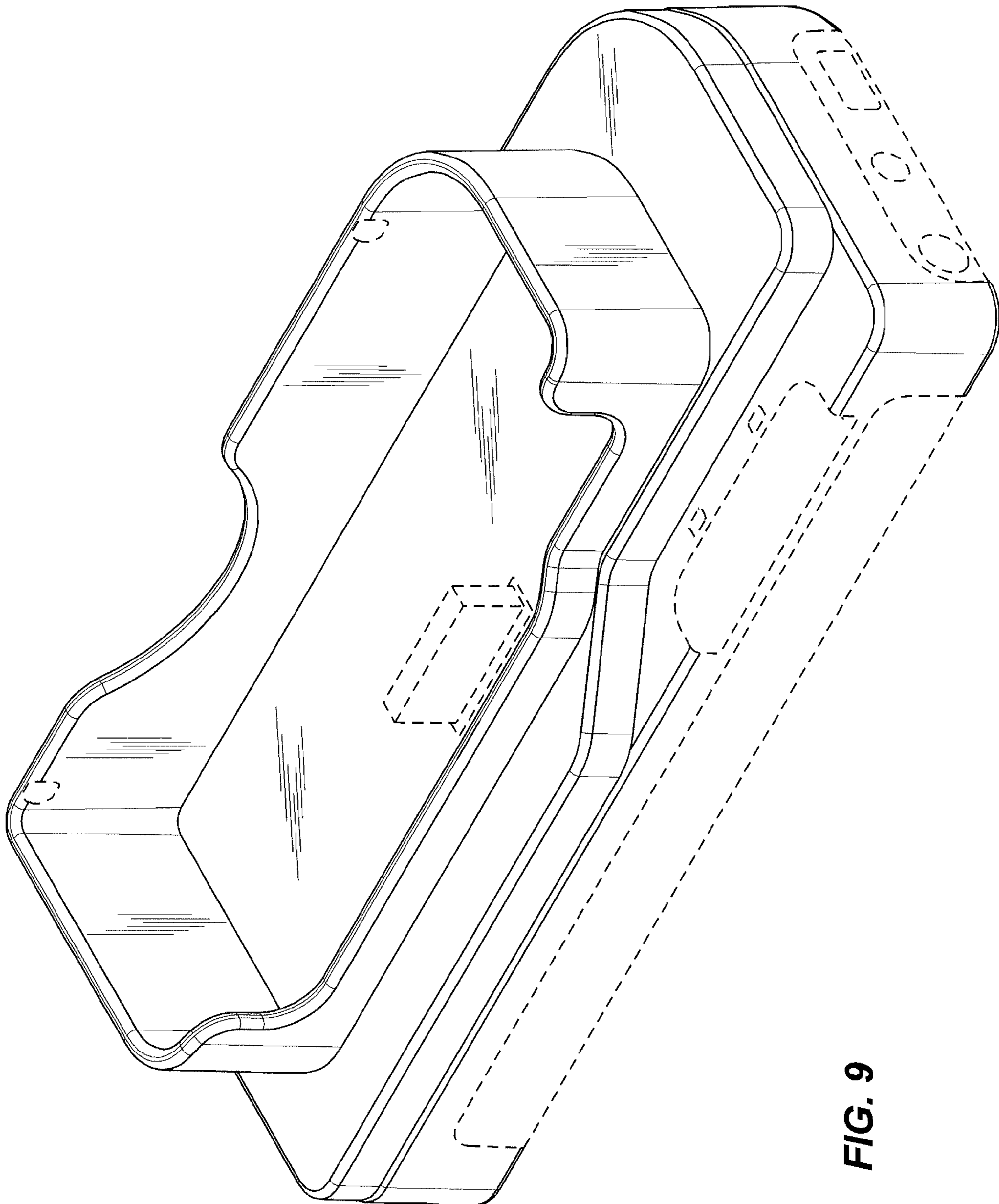


FIG. 9

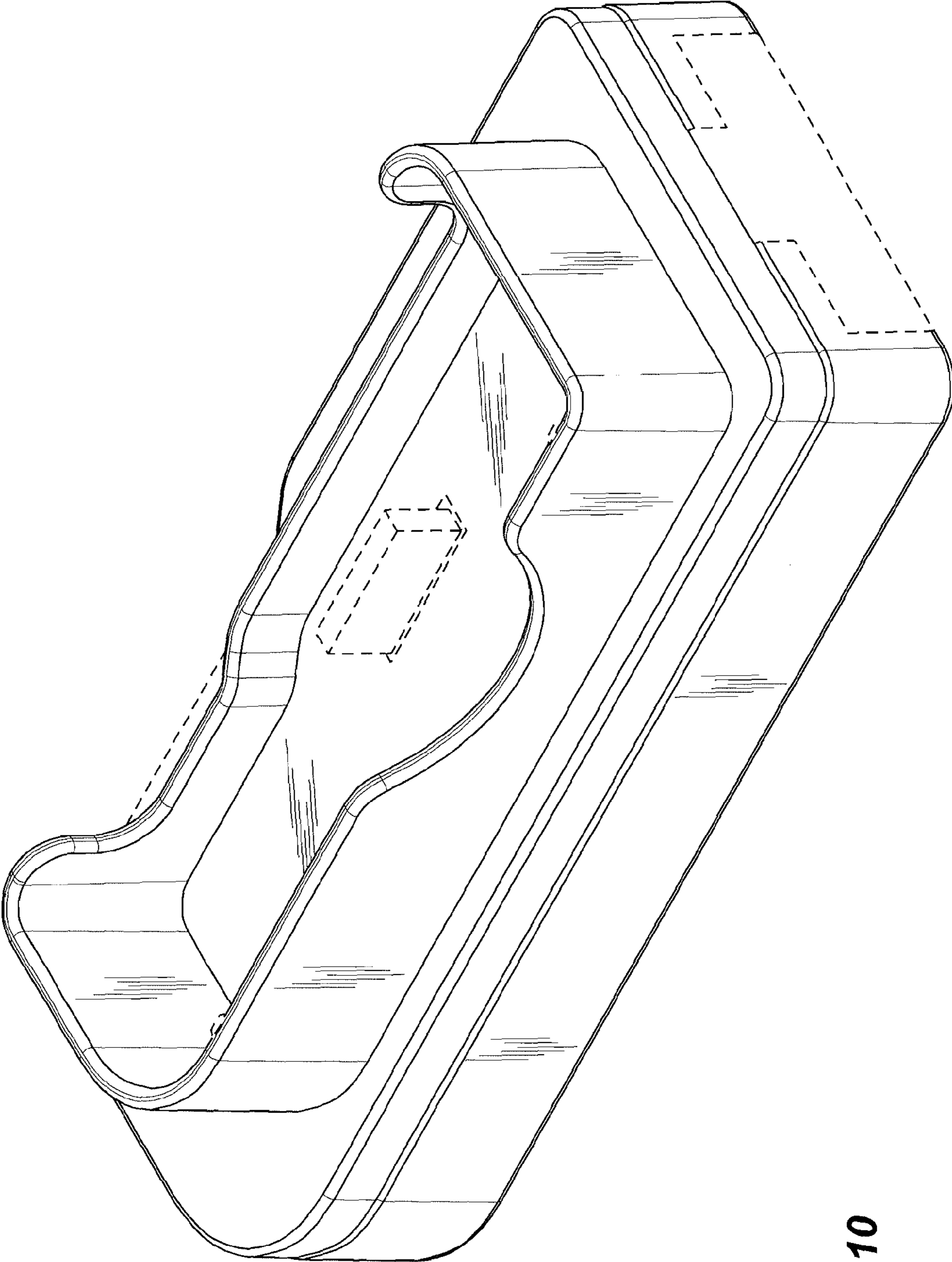


FIG. 10

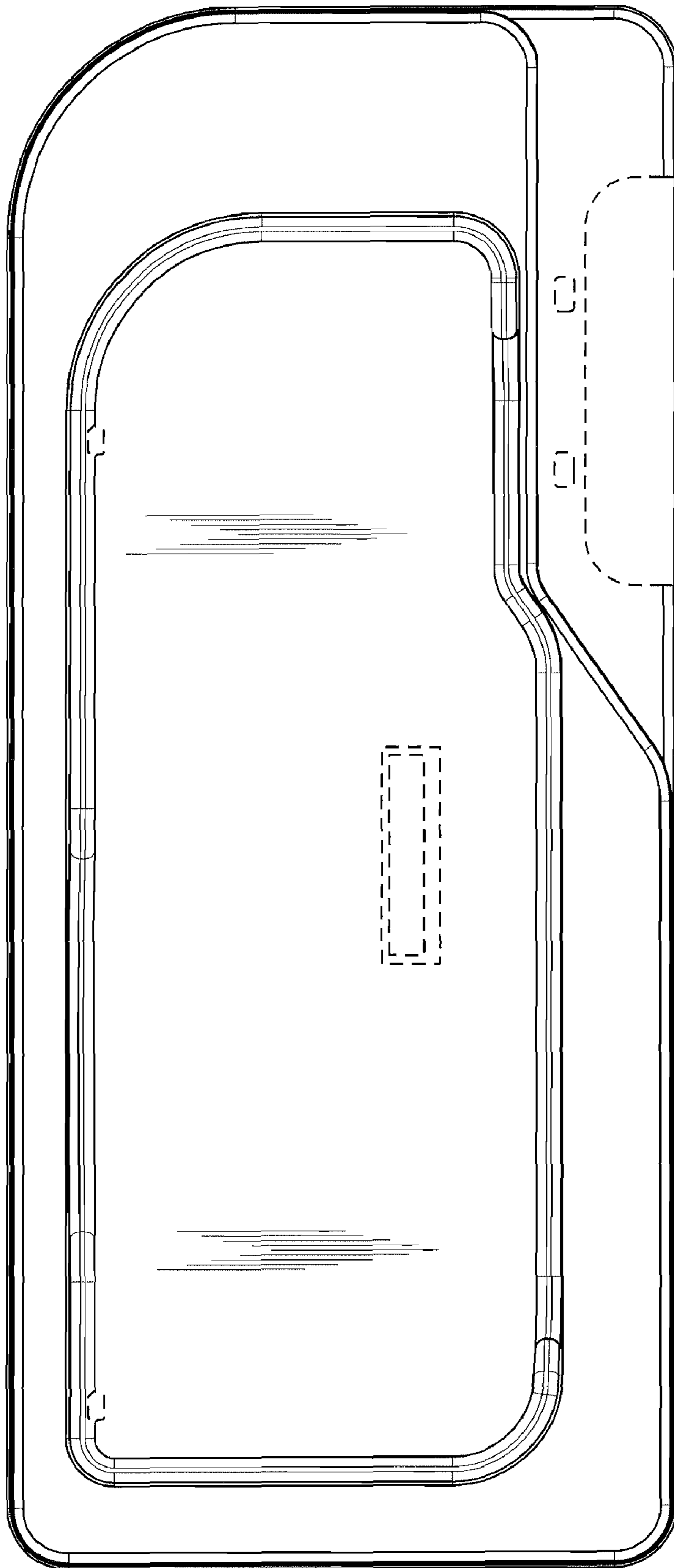


FIG. 11

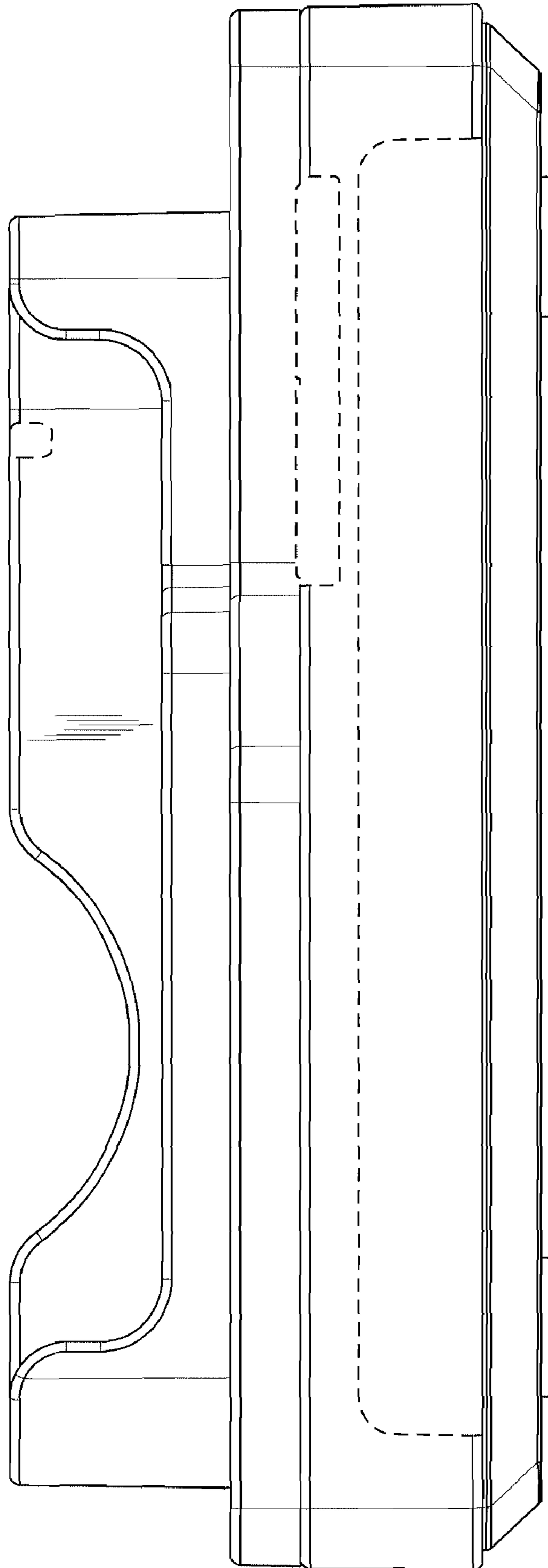


FIG. 12

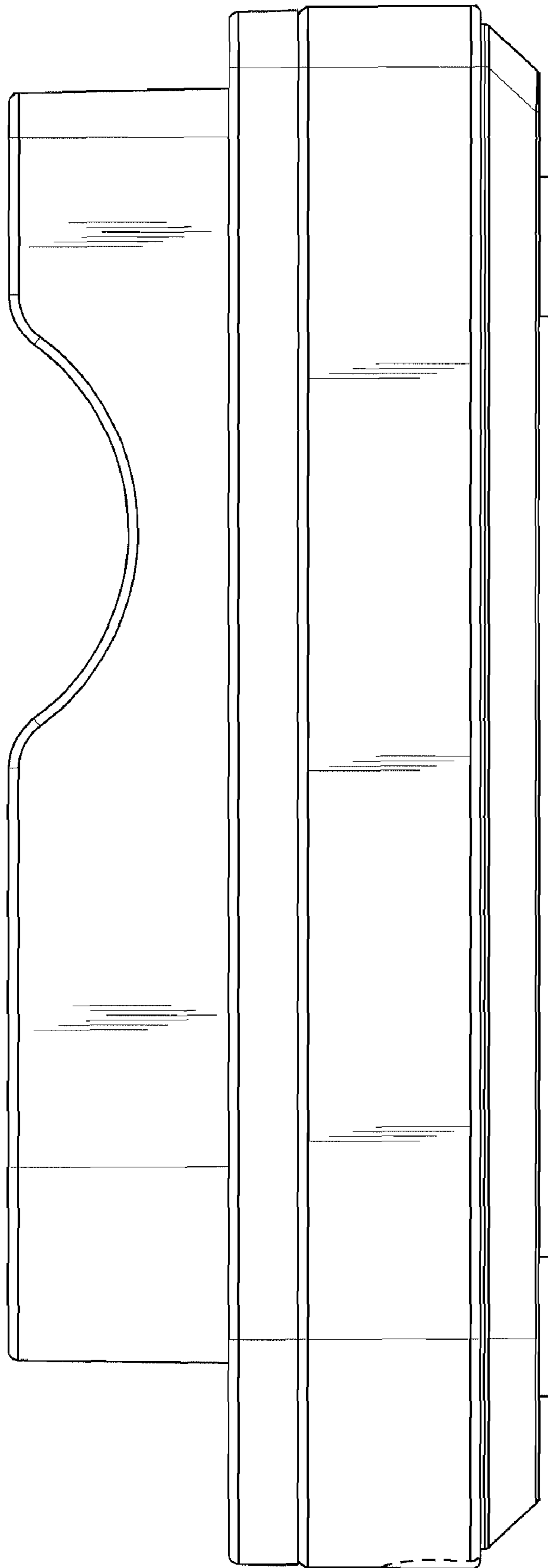


FIG. 13

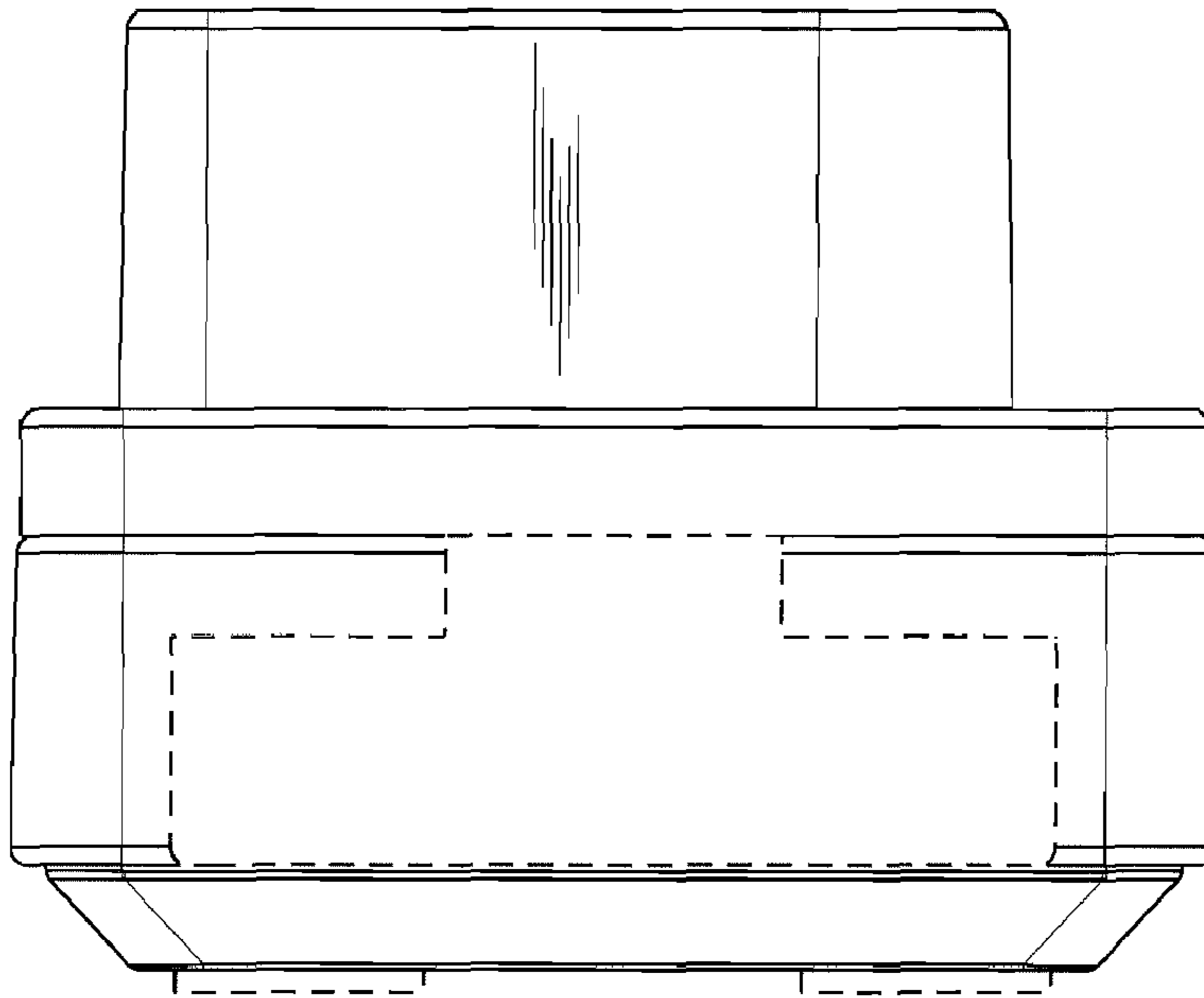


FIG. 14

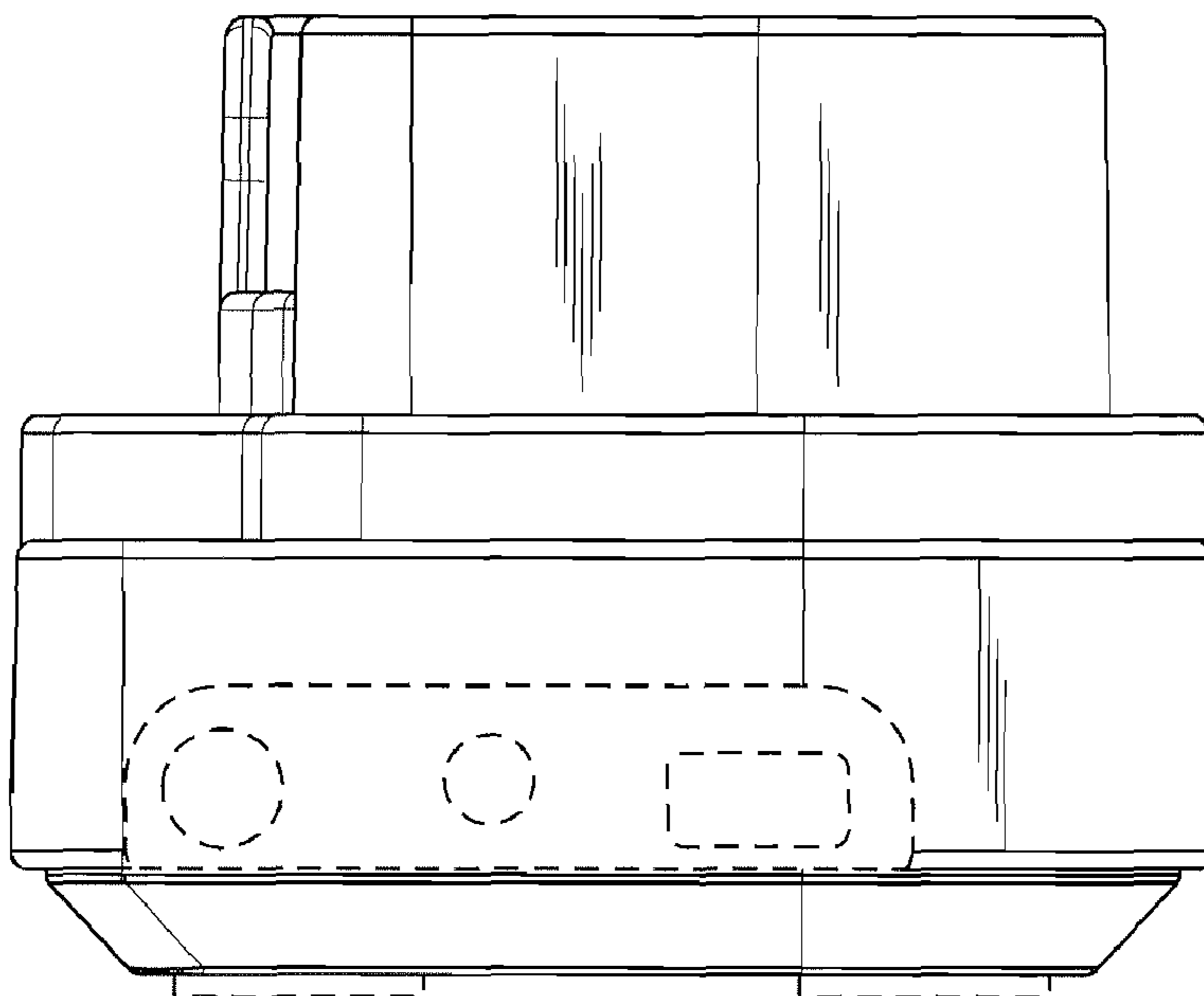


FIG. 15