



US00D544898S

(12) **United States Design Patent**
Kawabe et al.

(10) **Patent No.:** **US D544,898 S**

(45) **Date of Patent:** **** Jun. 19, 2007**

(54) **PROJECTOR**

(75) Inventors: **Genta Kawabe**, Matsumoto (JP);
Wataru Suzuki, Shiojiri (JP); **Isao**
Sakamaki, Matsumoto (JP); **Akitoshi**
Kuroda, Yamagata-mura (JP)

(73) Assignee: **Seiko Epson Corporation**, Tokyo (JP)

(**) Term: **14 Years**

(21) Appl. No.: **29/263,900**

(22) Filed: **Aug. 1, 2006**

(30) **Foreign Application Priority Data**

Jun. 5, 2006 (JP) 2006-014384

(51) **LOC (8) Cl.** **16-02**

(52) **U.S. Cl.** **D16/230; D16/221; D16/225**

(58) **Field of Classification Search** D16/205,
D16/208, 213, 221, 225, 229, 230, 231, 234;
D21/514; 353/70, 100, 101, 115, 119, 122
See application file for complete search history.

(56) **References Cited**

U.S. PATENT DOCUMENTS

- D425,539 S * 5/2000 Fujii et al. D16/231
- D464,074 S * 10/2002 Miyazaki D16/230
- D470,525 S * 2/2003 Nakayama et al. D16/231
- D472,570 S * 4/2003 Takahashi D16/230
- D473,253 S * 4/2003 Shimamoto D16/231
- D475,729 S * 6/2003 Shiota et al. D16/230
- D479,261 S * 9/2003 Kawasaki et al. D16/230

- D480,410 S * 10/2003 Morishita et al. D16/230
- D503,733 S * 4/2005 Kurokawa D16/230
- D504,453 S * 4/2005 Junsu et al. D16/231
- D506,770 S * 6/2005 Saeki et al. D16/230

* cited by examiner

Primary Examiner—Ian Simmons

Assistant Examiner—W. Laymon

(74) *Attorney, Agent, or Firm*—Oliff & Berridge, PLC

(57) **CLAIM**

The ornamental design for a projector, as shown and described.

DESCRIPTION

FIG. 1 is a perspective view of a projector with a lens cover and lens cover control being illustrated in an open position showing our new design;

FIG. 2 is a front view thereof;

FIG. 3 is a rear view thereof;

FIG. 4 is a left-side view thereof;

FIG. 5 is a right-side view thereof;

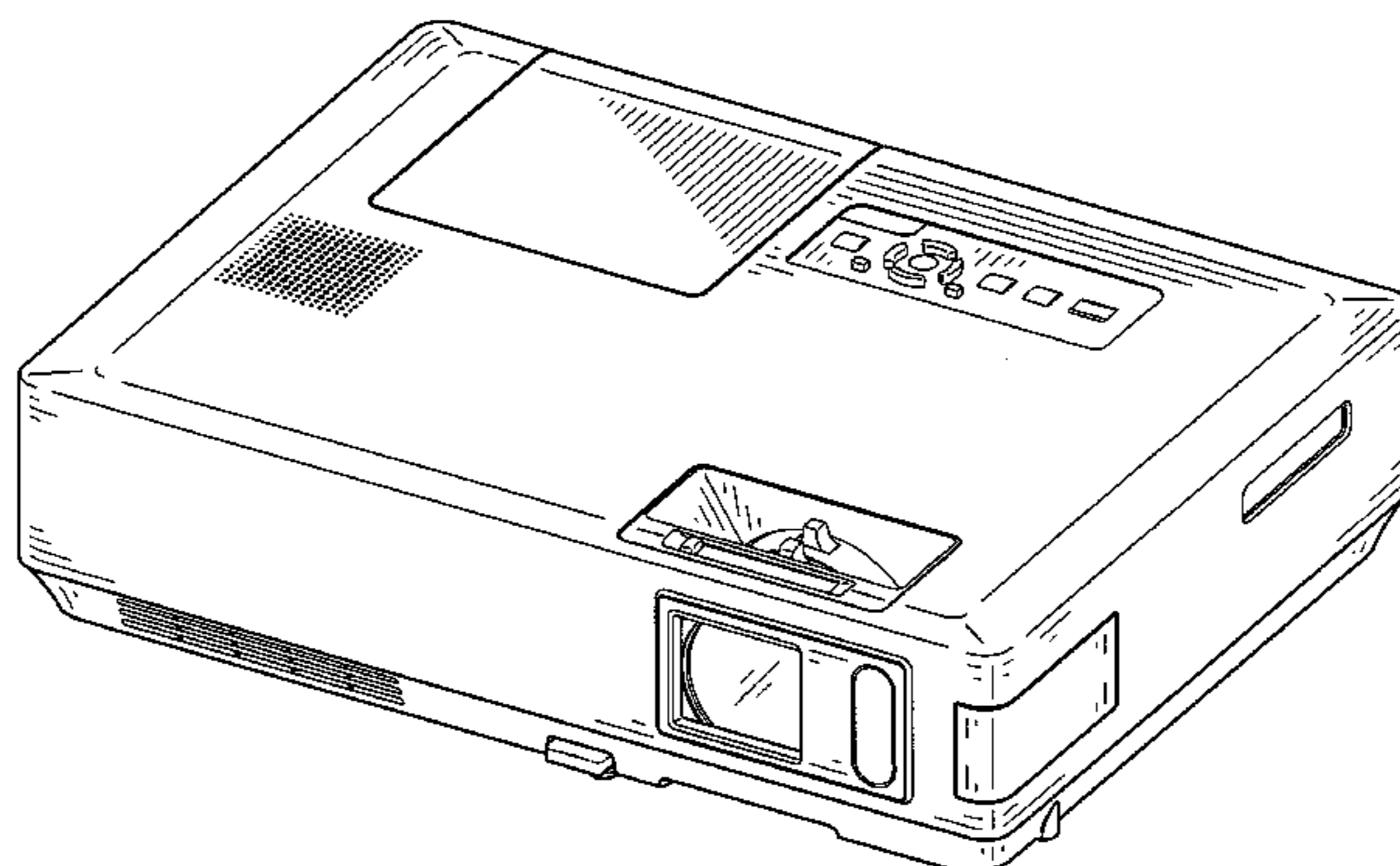
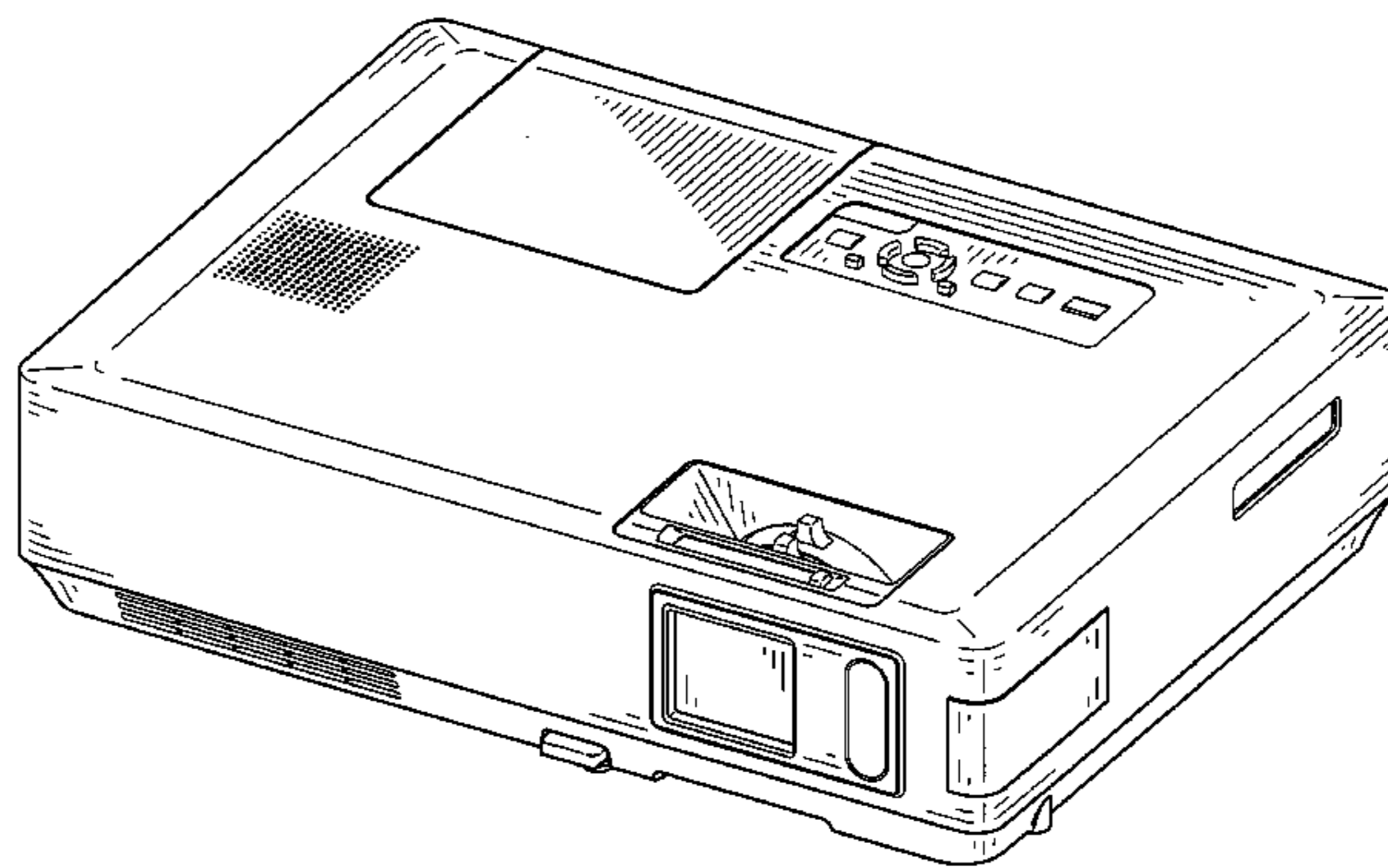
FIG. 6 is a top view thereof;

FIG. 7 is a bottom view thereof; and,

FIG. 8 is a perspective thereof, with the lens cover and the lens cover control shown in a closed position.

The portions of the projector in broken lines are shown for illustrative purposes only and form no part of the claimed design.

1 Claim, 6 Drawing Sheets



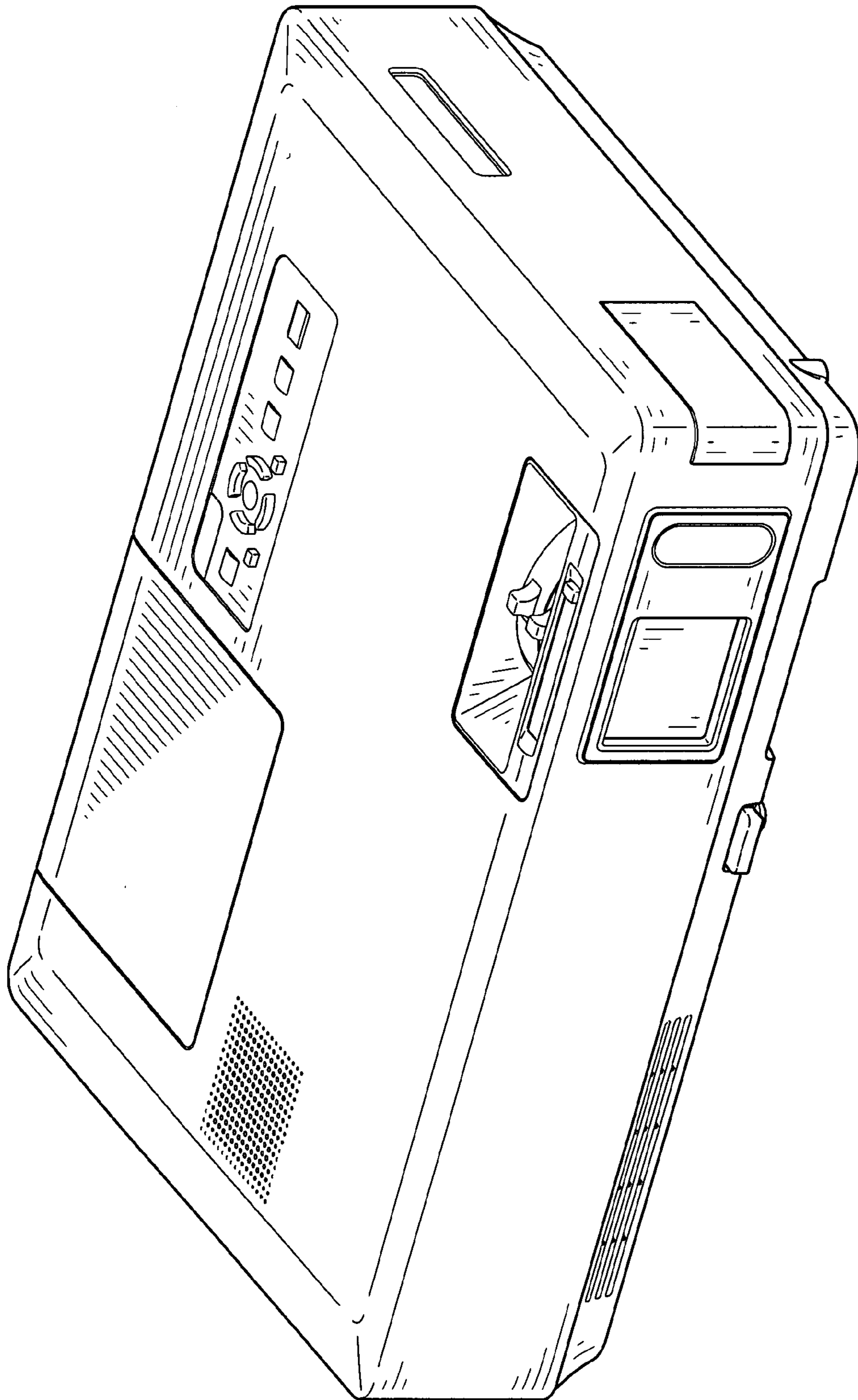


FIG. 1

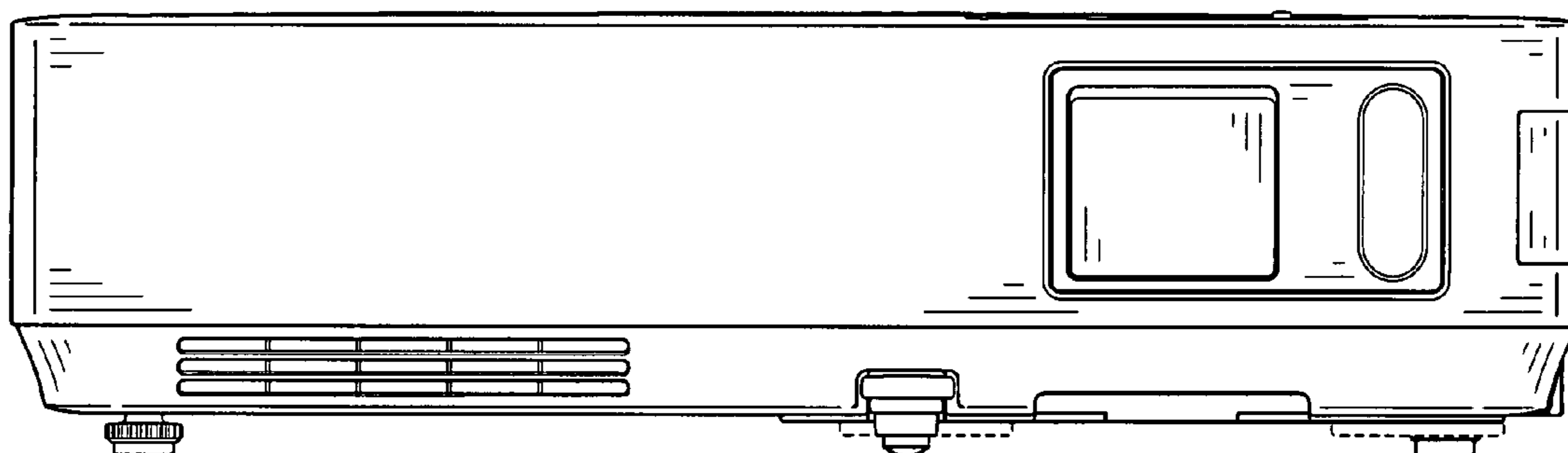


FIG. 2

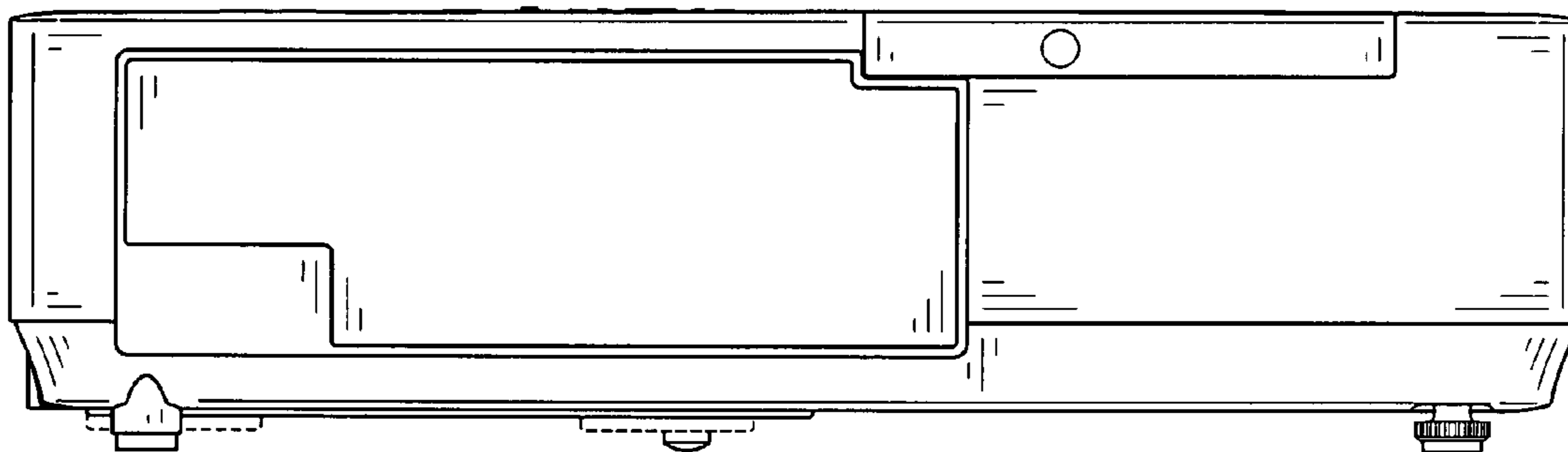


FIG. 3

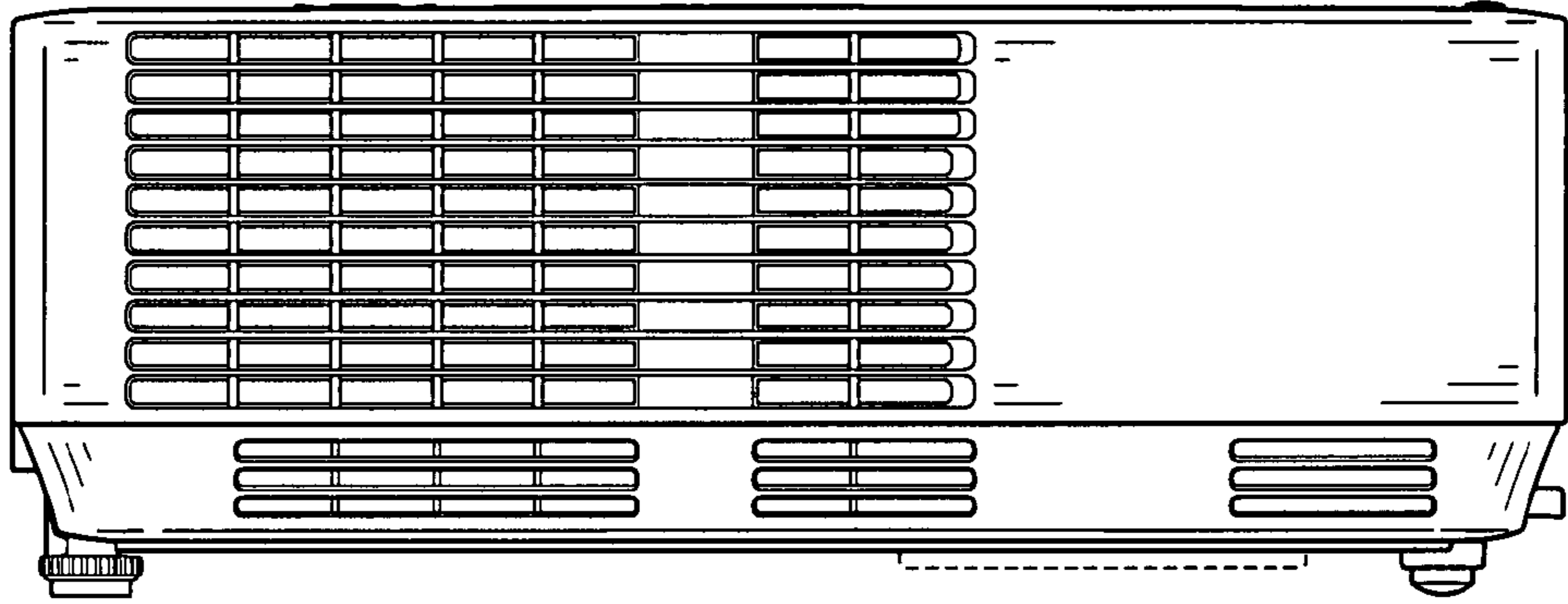


FIG. 4

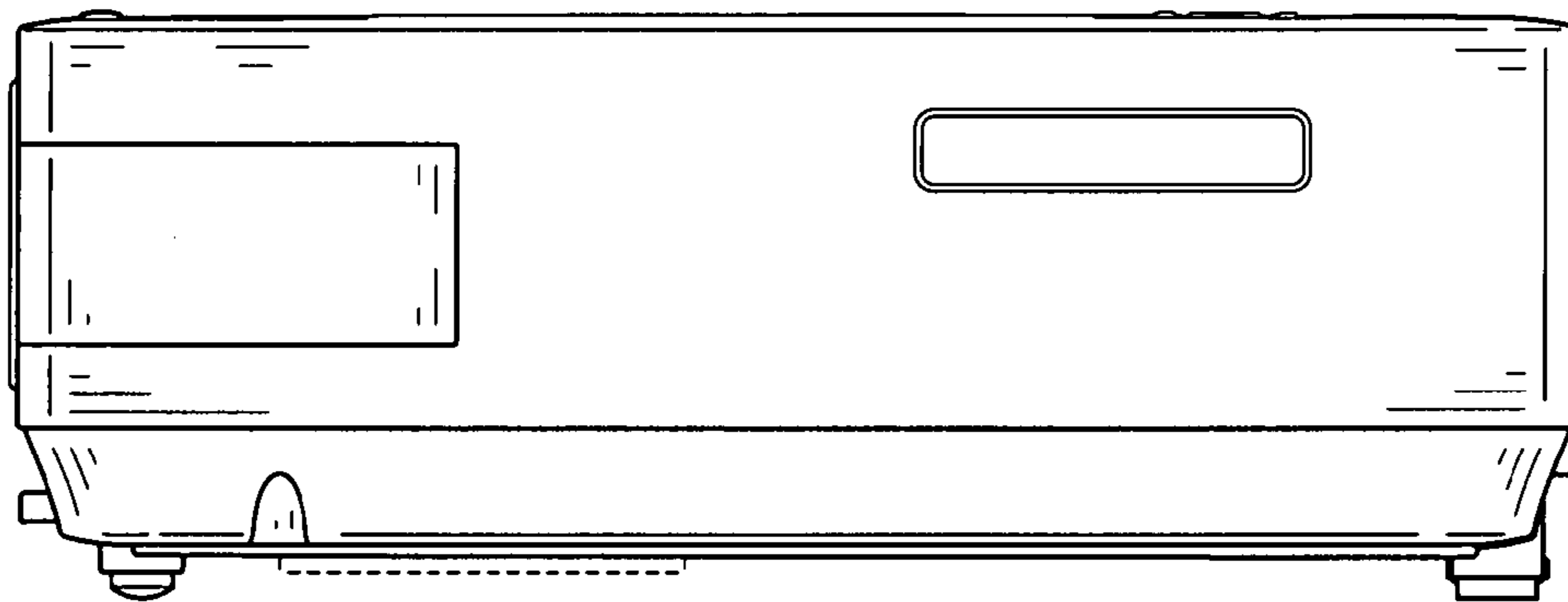


FIG. 5

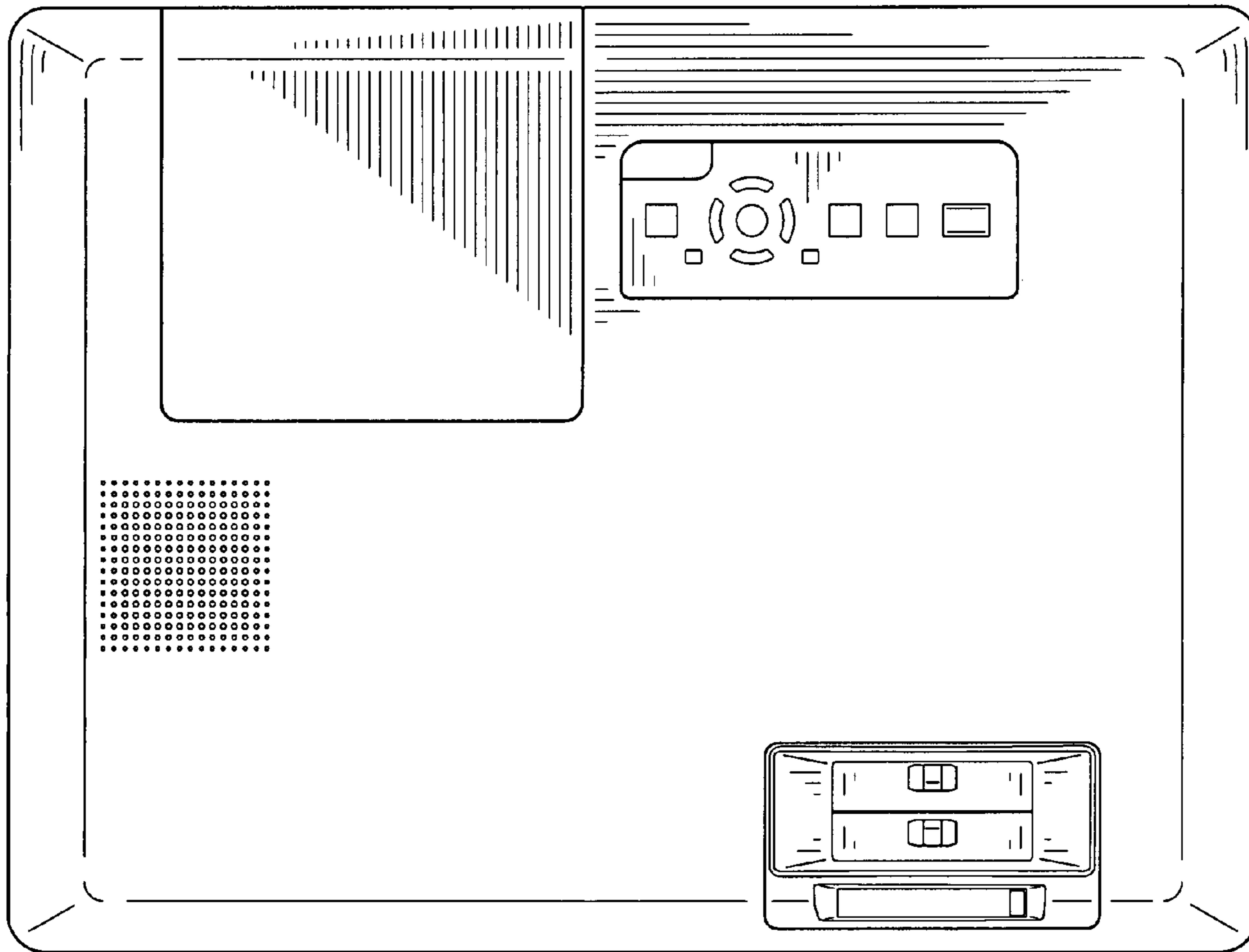


FIG. 6

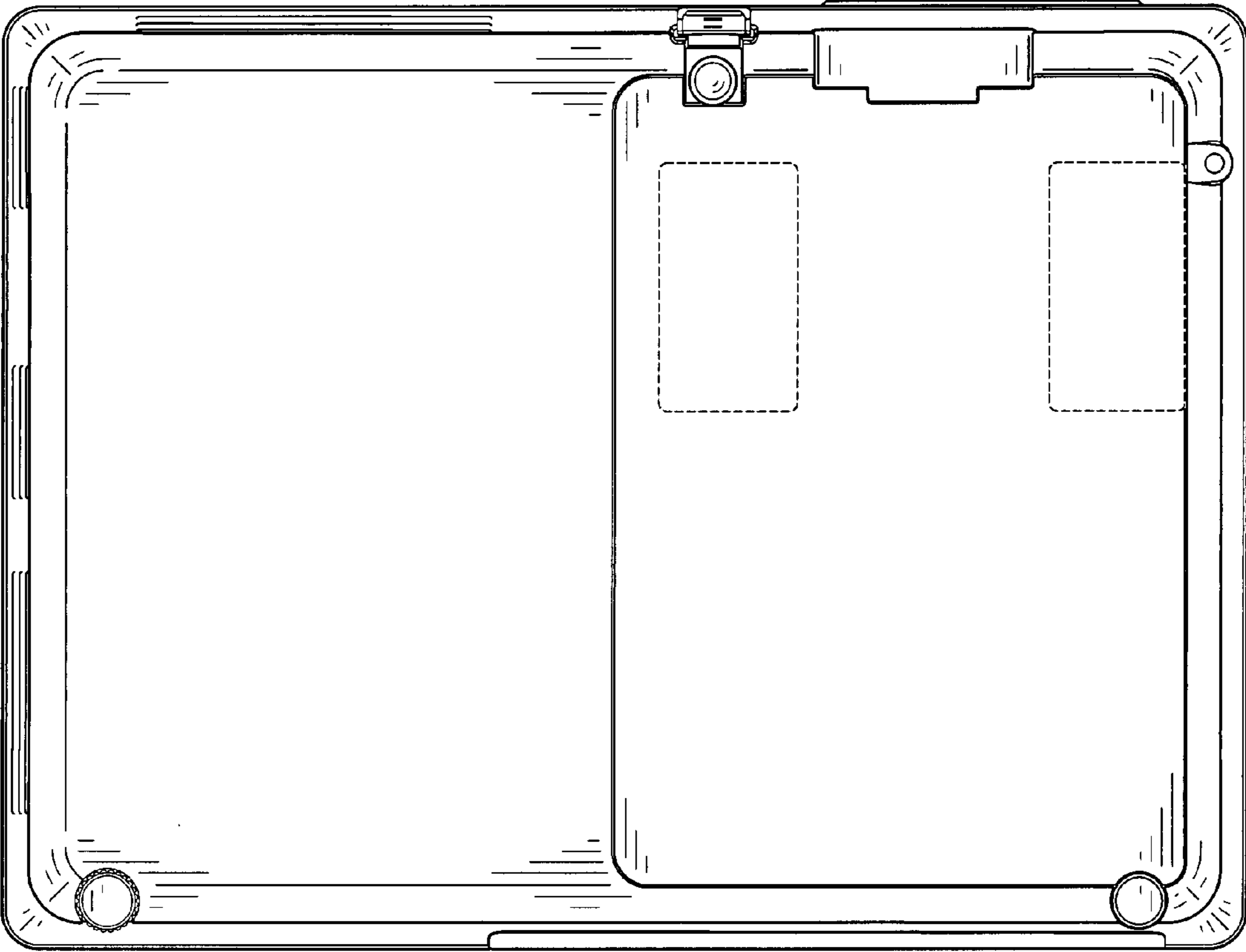


FIG. 7

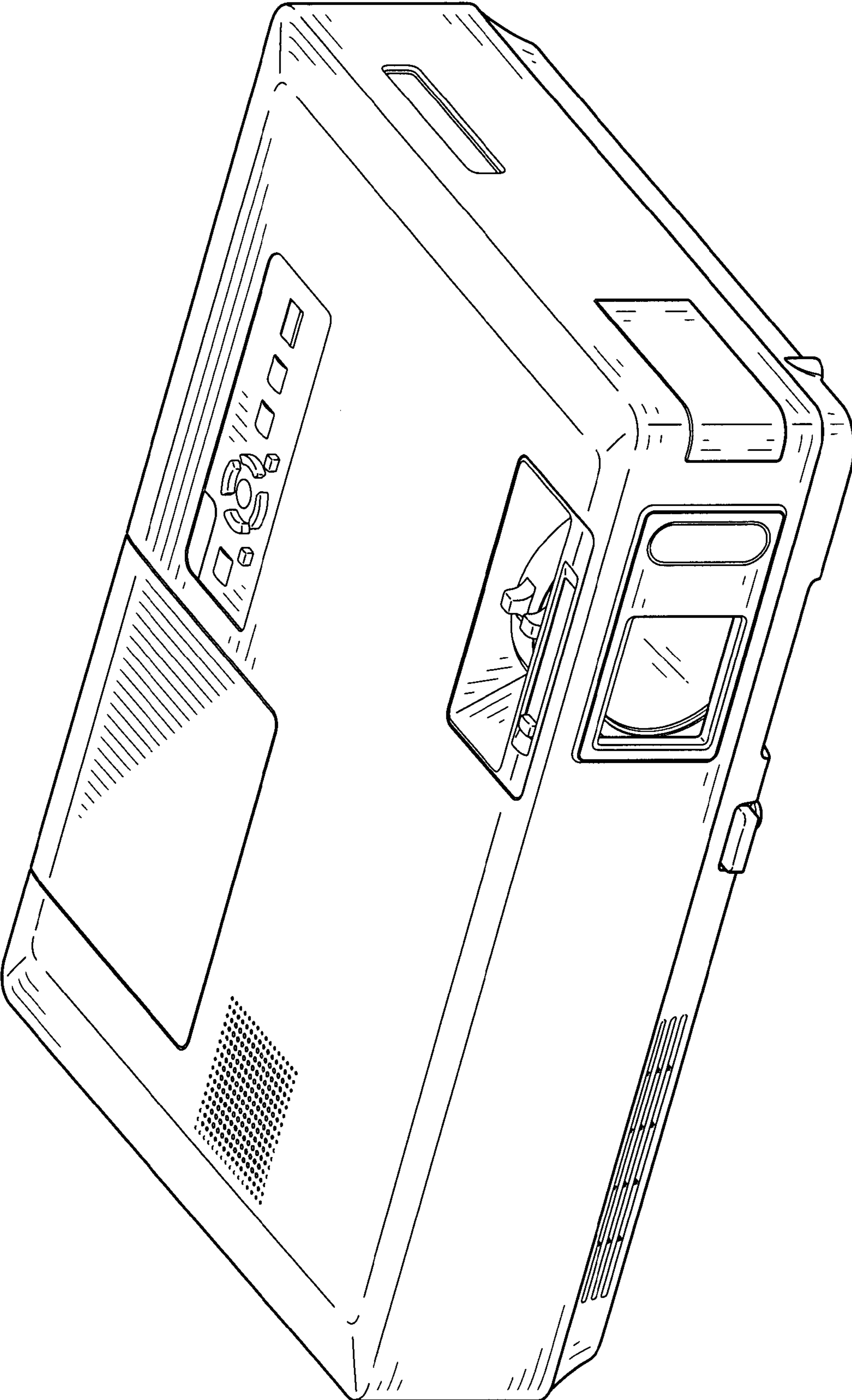


FIG. 8