

US00D544895S

(12) **United States Design Patent**
Izumoto et al.

(10) **Patent No.:** **US D544,895 S**
(45) **Date of Patent:** **** Jun. 19, 2007**

(54) **APPARATUS FOR REPAIRING PUNCTURED TIRES**

(75) Inventors: **Ryuji Izumoto**, Chuo-ku (JP); **Shinichi Iwasaki**, Chuo-ku (JP); **Masaki Yoshida**, Chuo-ku (JP)

(73) Assignee: **Bridgestone Corporation**, Tokyo (JP)

(**) Term: **14 Years**

(21) Appl. No.: **29/255,689**

(22) Filed: **Mar. 13, 2006**

(30) **Foreign Application Priority Data**

Sep. 14, 2005 (JP) 2005-026536

(51) **LOC (8) Cl.** **15-99**

(52) **U.S. Cl.** **D15/199**

(58) **Field of Classification Search** D8/105,
D8/499; D15/199; 141/38, 67, 100; 152/415
See application file for complete search history.

(56) **References Cited**

U.S. PATENT DOCUMENTS

4,284,451 A * 8/1981 Conley 156/97
D260,526 S * 9/1981 Satterfield D15/199
6,155,313 A * 12/2000 Smalley 141/38
6,283,172 B1 * 9/2001 Thurner 141/38

6,789,581 B2 * 9/2004 Cowan et al. 141/38
D509,838 S * 9/2005 Wong D15/199
2004/0159365 A1 * 8/2004 Cowan et al. 141/38
2004/0221439 A1 * 11/2004 Villareal 29/407.08
2006/0272731 A1 * 12/2006 Takeda 141/38

* cited by examiner

Primary Examiner—Antoine D. Davis

Assistant Examiner—Patricia Palasik

(74) *Attorney, Agent, or Firm*—Sughrue Mion, PLLC

(57) **CLAIM**

The ornamental design for an apparatus for repairing punctured tires, as shown and described.

DESCRIPTION

FIG. 1 is a perspective view of the top, front and right side of an apparatus for repairing punctured tires showing our new design;

FIG. 2 is a front elevational view thereof;

FIG. 3 is a rear elevational view thereof;

FIG. 4 is a top plan view thereof;

FIG. 5 is a bottom plan view thereof;

FIG. 6 is a left side elevational view thereof; and,

FIG. 7 is a right side elevational view thereof.

1 Claim, 7 Drawing Sheets

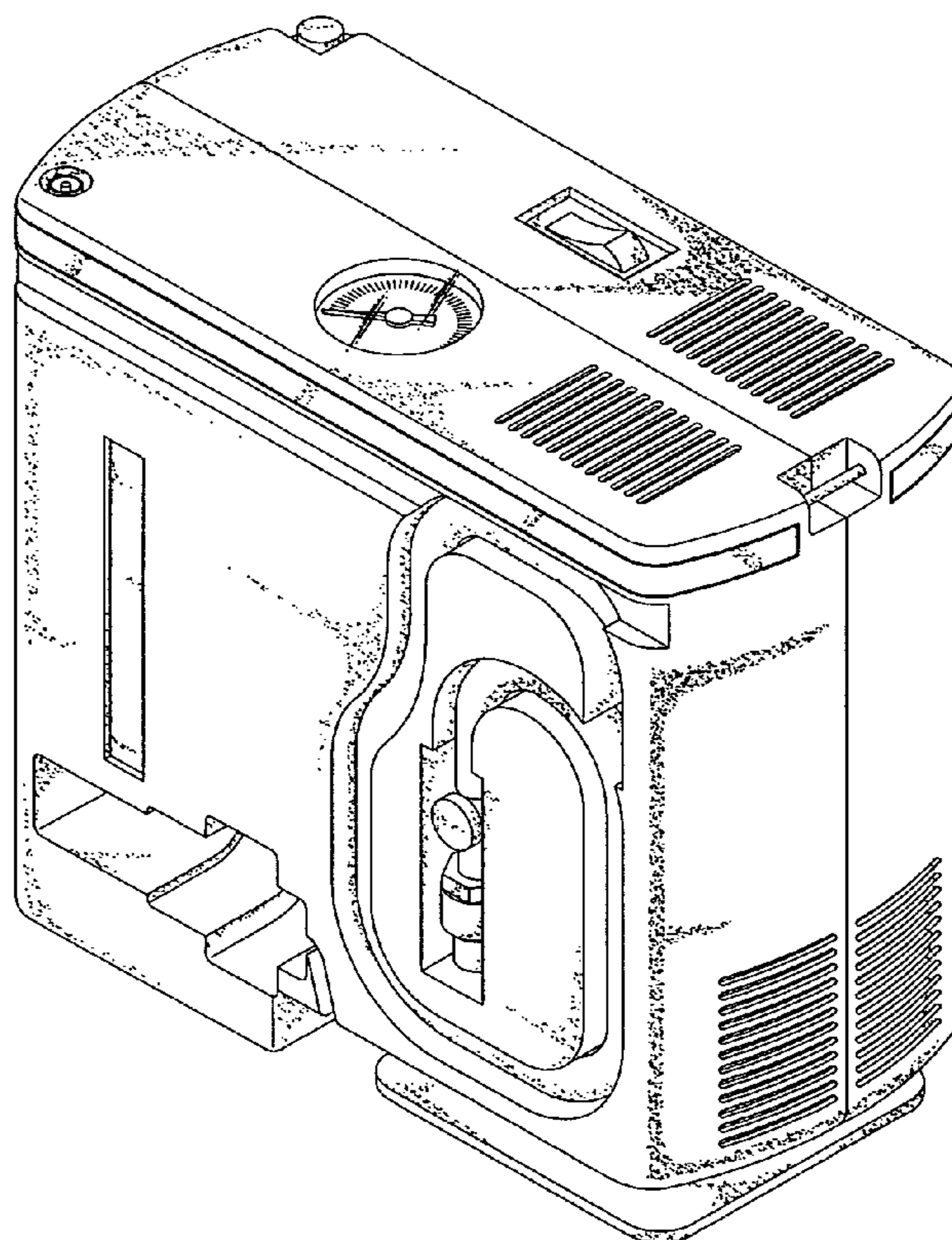


FIG. 1

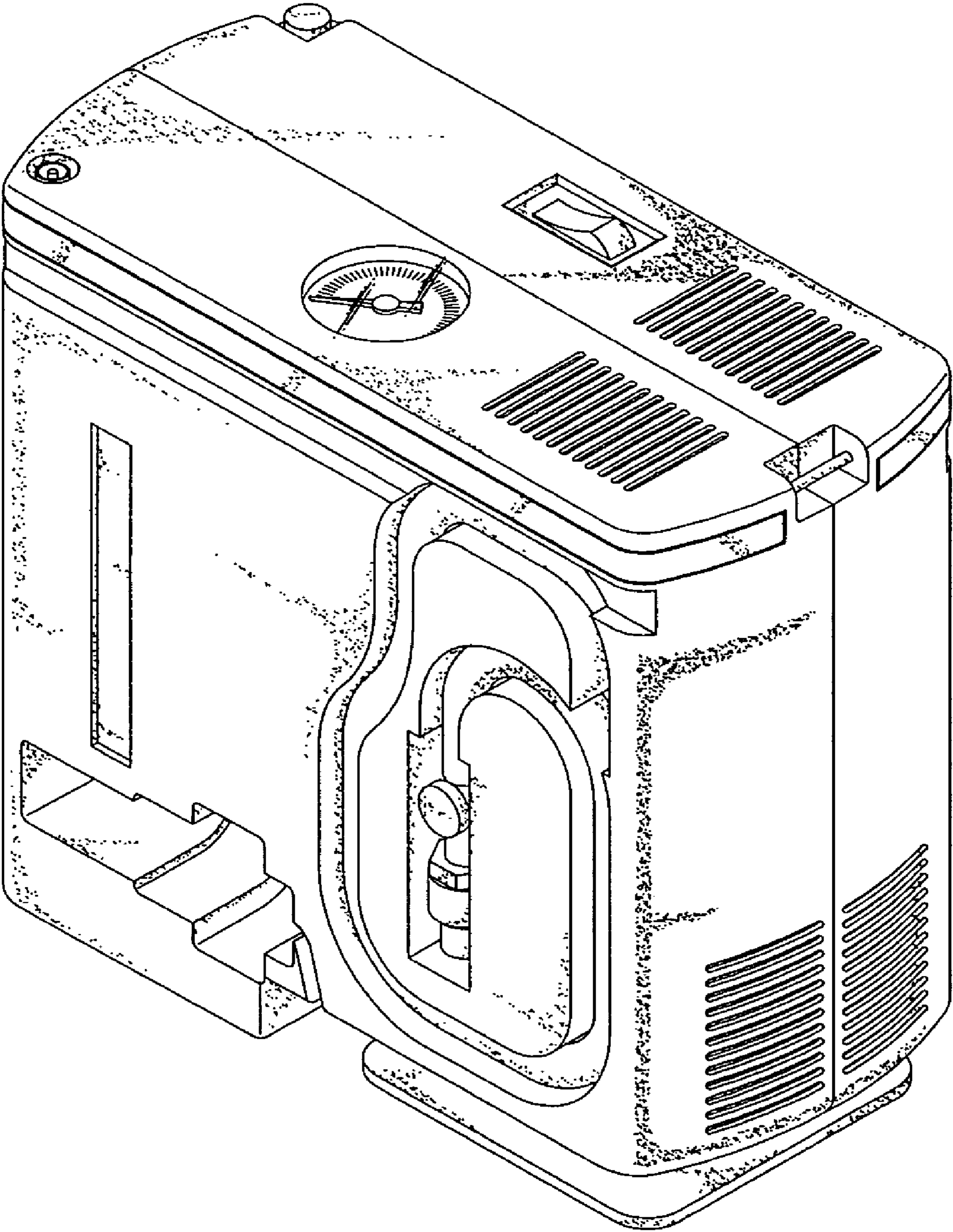


FIG. 2

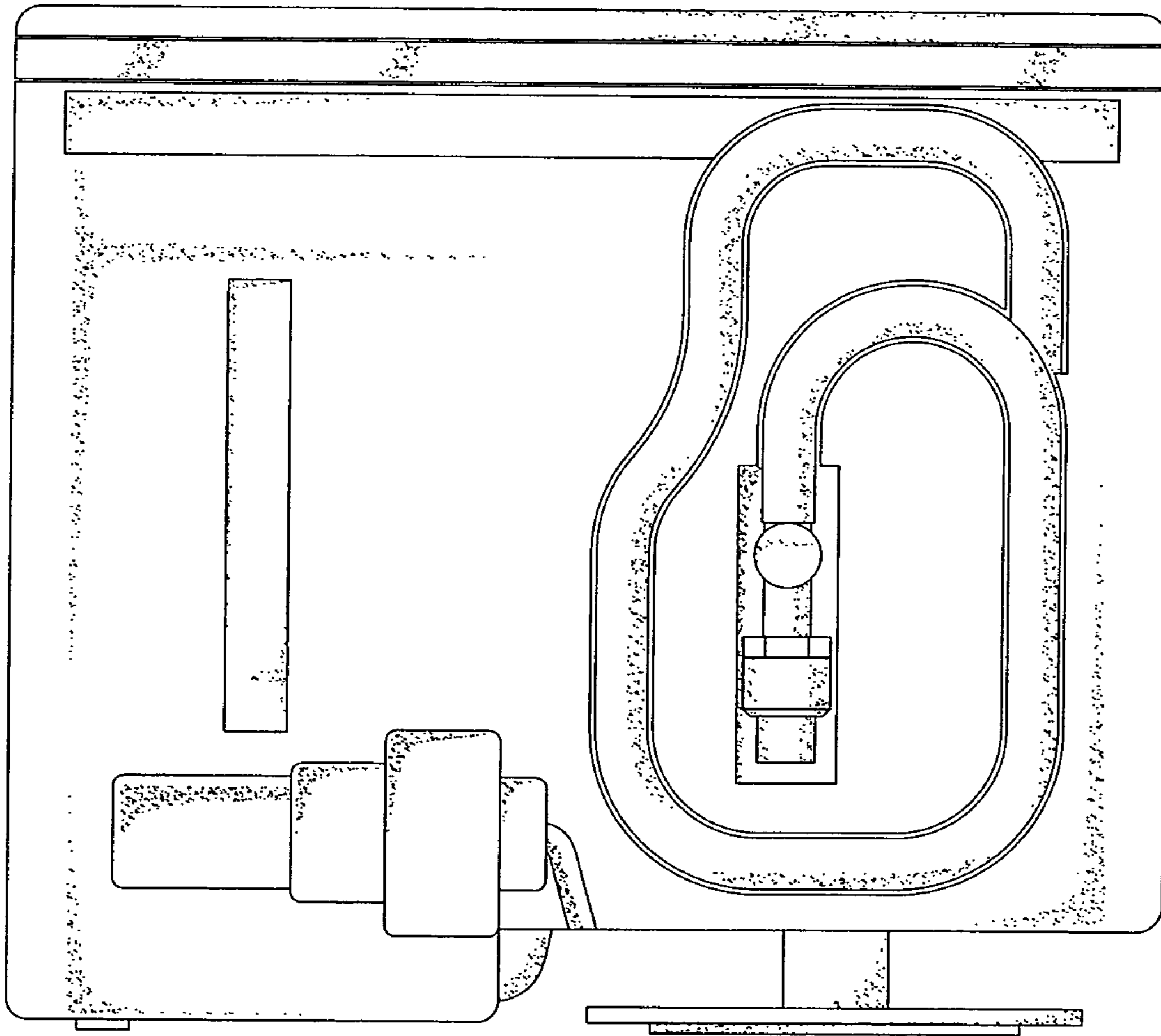


FIG. 3

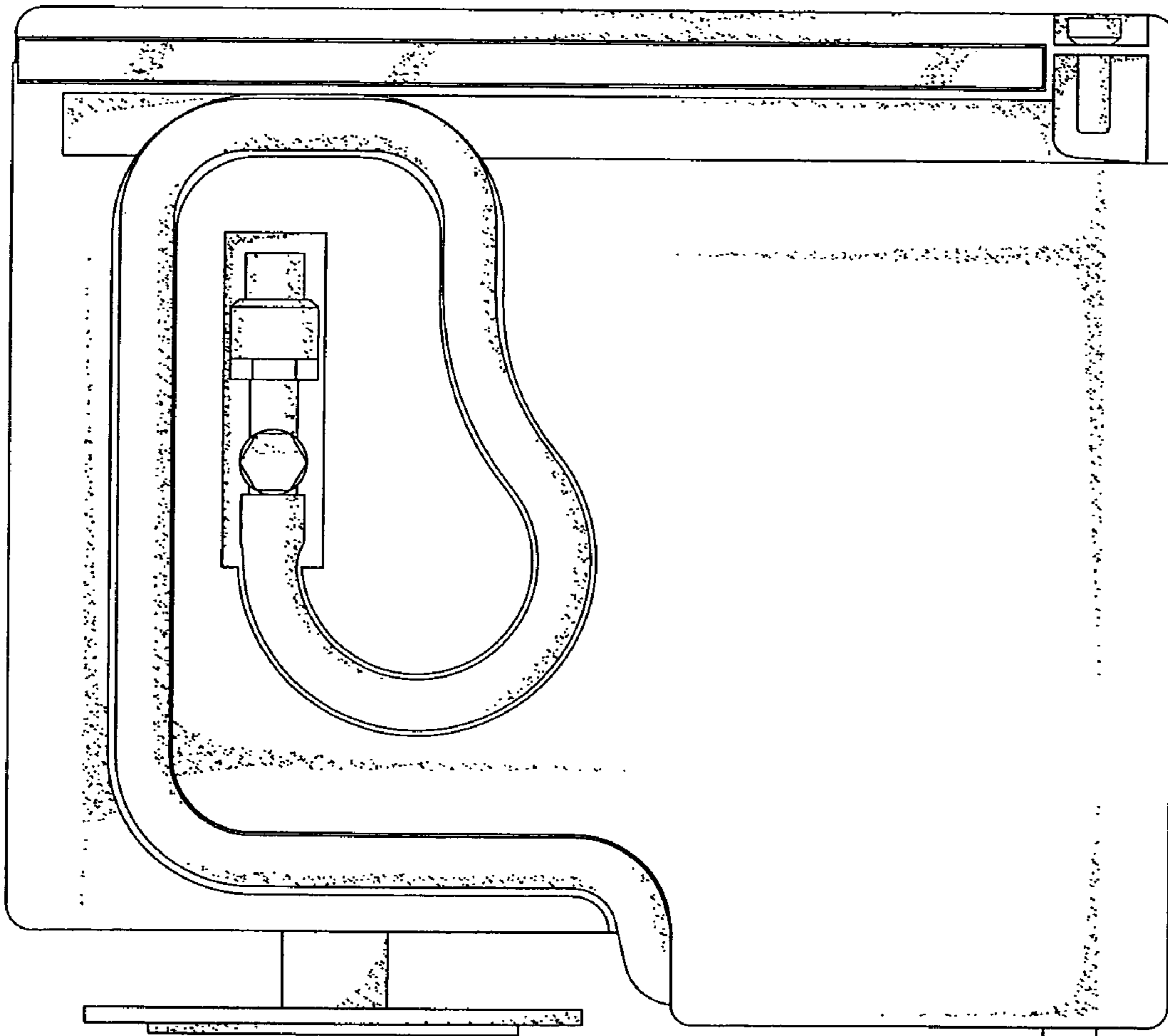


FIG. 4

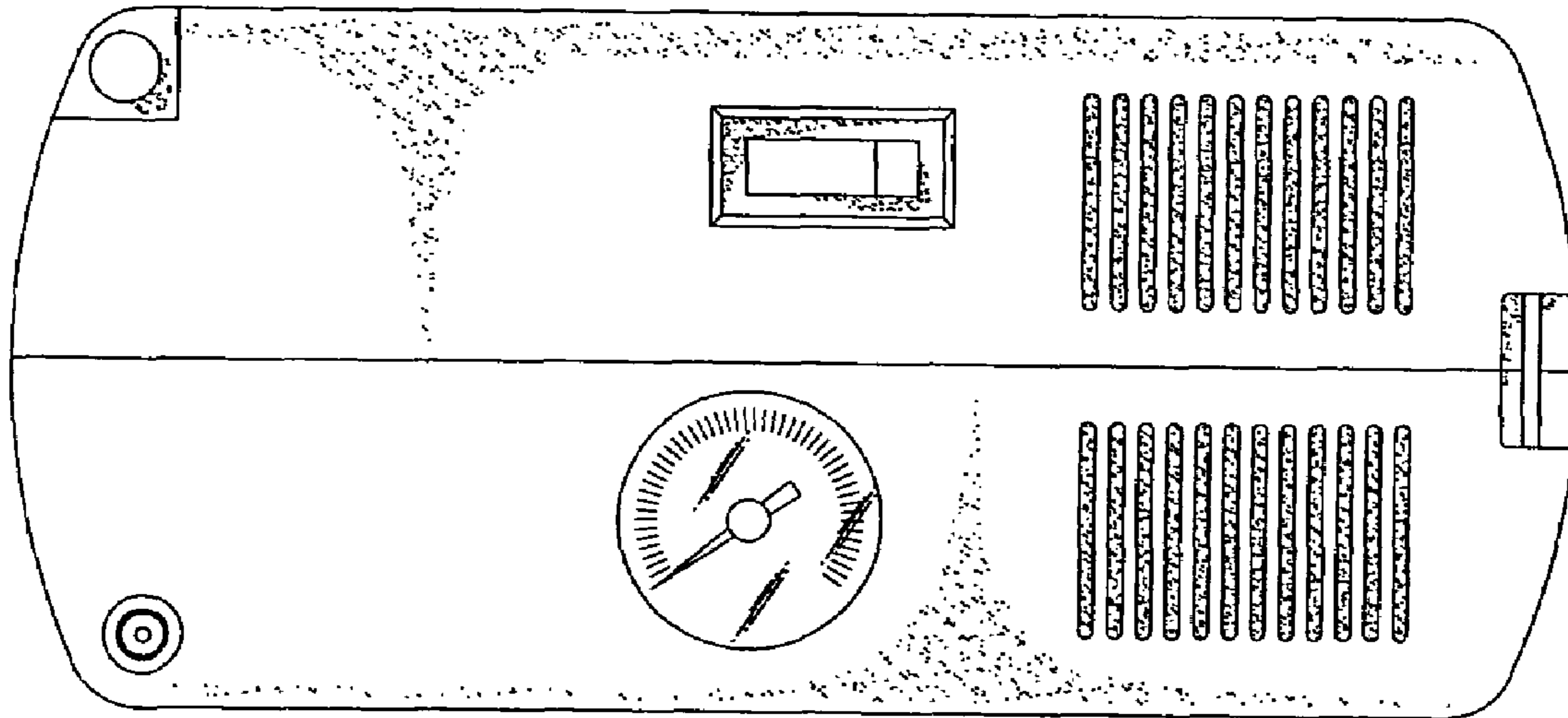


FIG. 5

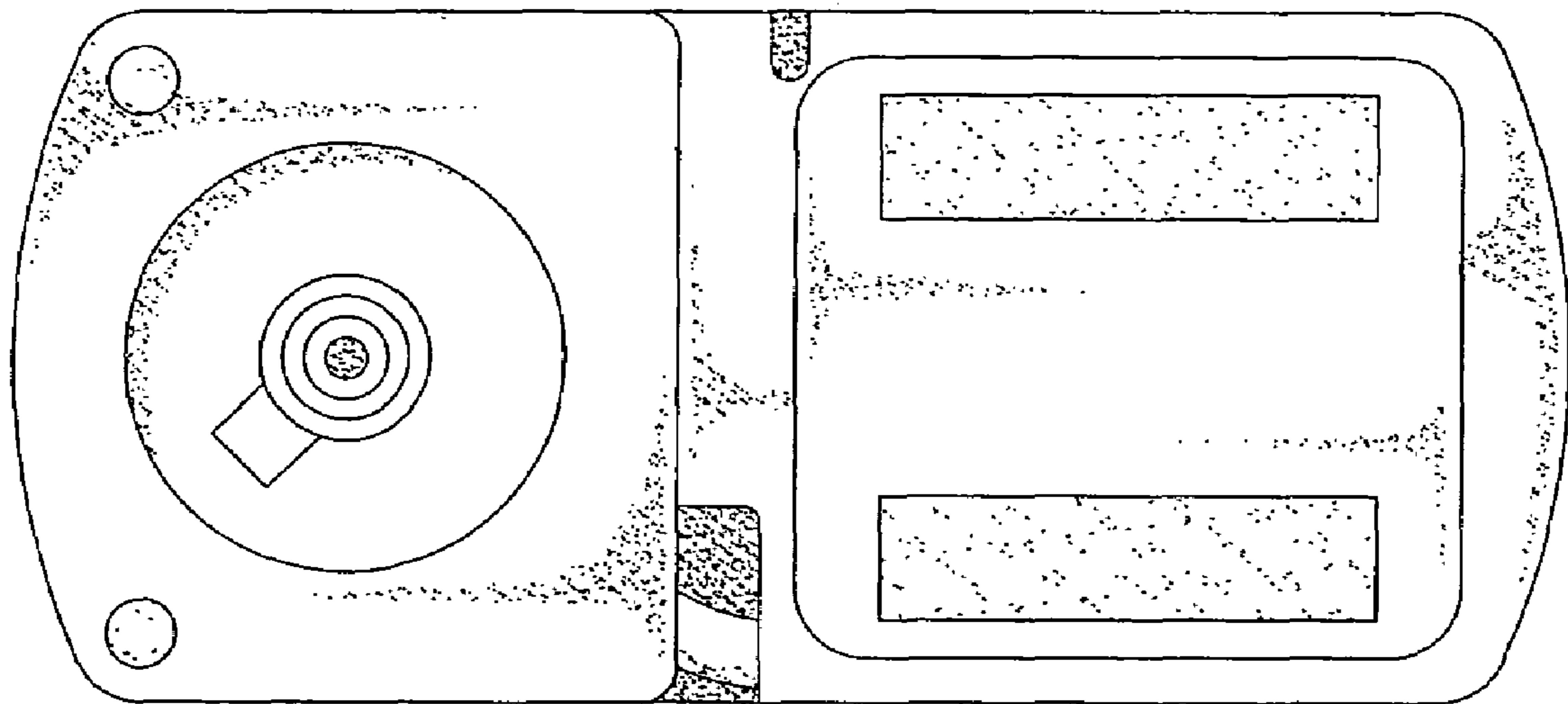


FIG. 6

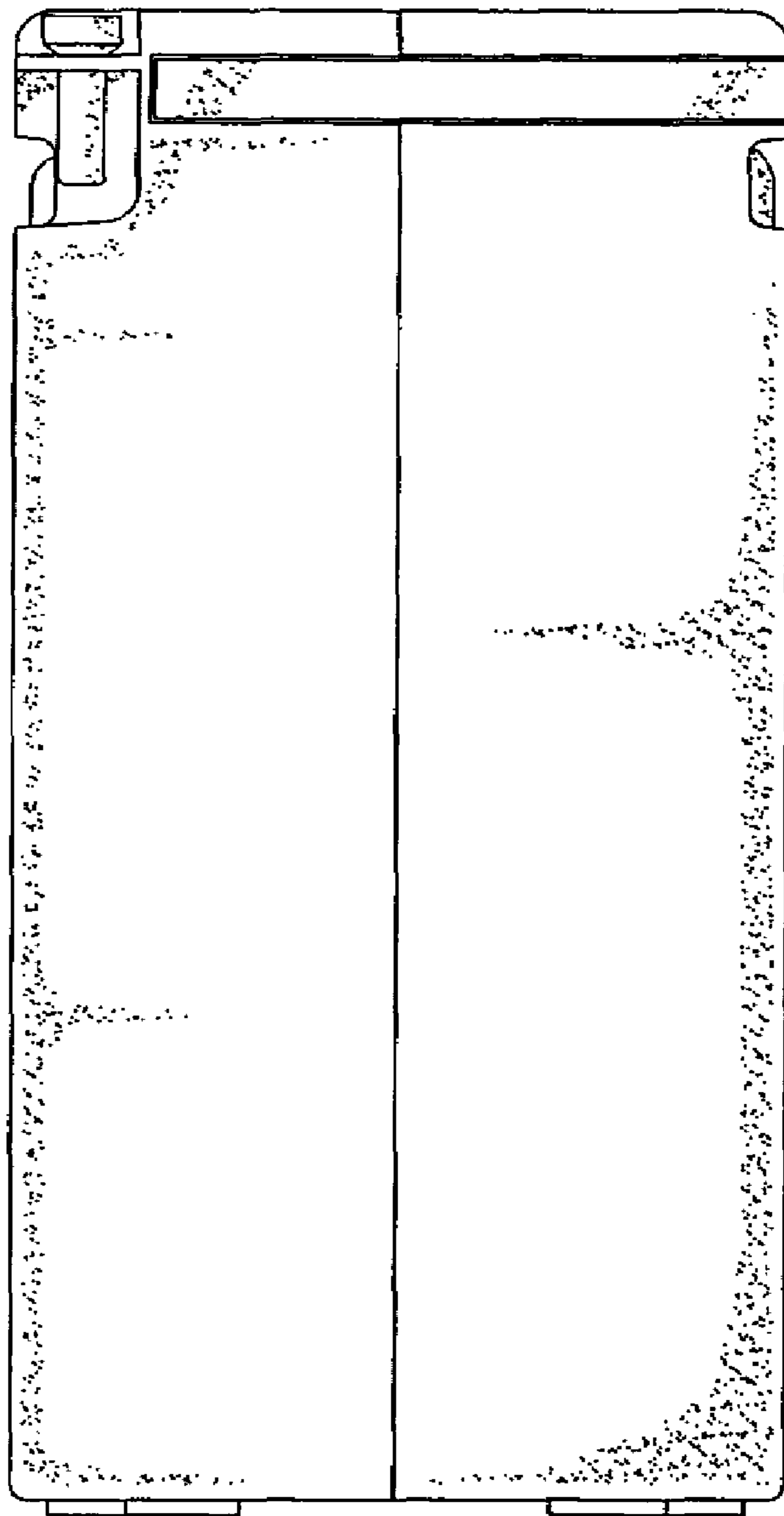


FIG. 7

