

US00D544893S

(12) **United States Design Patent**
Singer

(10) **Patent No.:** **US D544,893 S**

(45) **Date of Patent:** **** Jun. 19, 2007**

(54) **LAMINATOR**

(75) Inventor: **Karl Singer**, Barrington Hills, IL (US)

(73) Assignee: **D&K Custom Machine Design, Inc.**,
Elk Grove Village, IL (US)

(**) Term: **14 Years**

(21) Appl. No.: **29/260,345**

(22) Filed: **May 23, 2006**

(51) **LOC (8) Cl.** **15-99**

(52) **U.S. Cl.** **D15/146**

(58) **Field of Classification Search** D15/145,
D15/146; 100/155 R, 160, 176; 156/555,
156/560, 582, 583.1

See application file for complete search history.

(56) **References Cited**

U.S. PATENT DOCUMENTS

D246,246 S *	11/1977	Shaffer	D15/146
D267,327 S *	12/1982	Shaffer	D15/146
D440,992 S *	4/2001	Parson et al.	D15/146
D454,895 S *	3/2002	Sakata et al.	D15/146
6,786,265 B1 *	9/2004	Kaye	156/555

2006/0108072 A1* 5/2006 Kim 156/555

* cited by examiner

Primary Examiner—Antoine D. Davis

Assistant Examiner—Patricia Palasik

(74) *Attorney, Agent, or Firm*—Schwartz Cooper Chartered

(57) **CLAIM**

The ornamental design for a laminator, as shown and described.

DESCRIPTION

FIG. 1 is an elevated perspective view of the laminator of the claimed invention

FIG. 2 is a front view of the laminator shown in FIG. 1;

FIG. 3 is a back view of the laminator shown in FIG. 1;

FIG. 4 is a right side view of the laminator shown in FIG. 1;

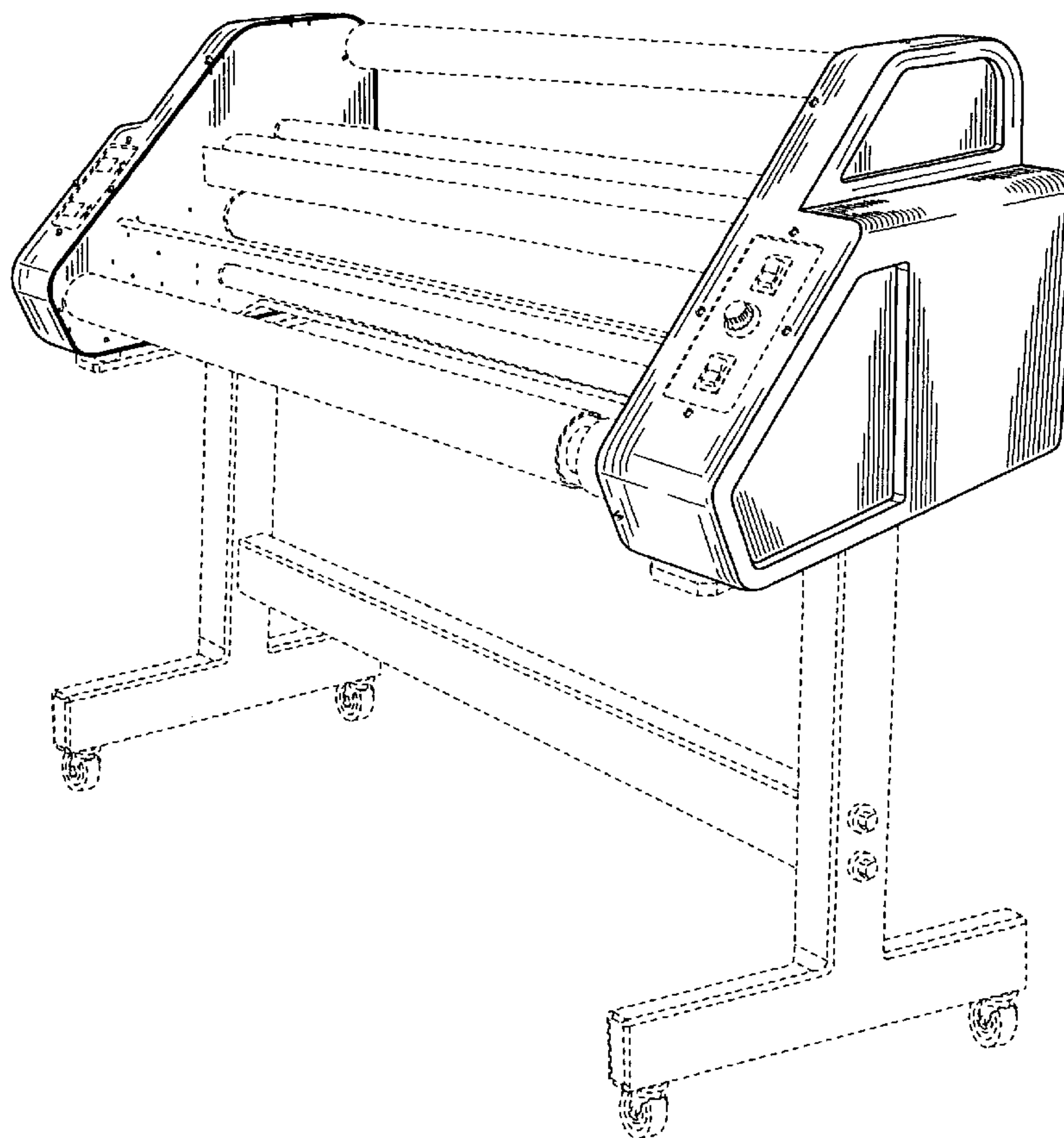
FIG. 5 is a left side view of the laminator shown in FIG. 1;

FIG. 6 is a top view of the laminator shown in FIG. 1; and,

FIG. 7 is a bottom view of the laminator shown in FIG. 1.

Features shown in broken lines in the drawings are not part of the claim.

1 Claim, 7 Drawing Sheets



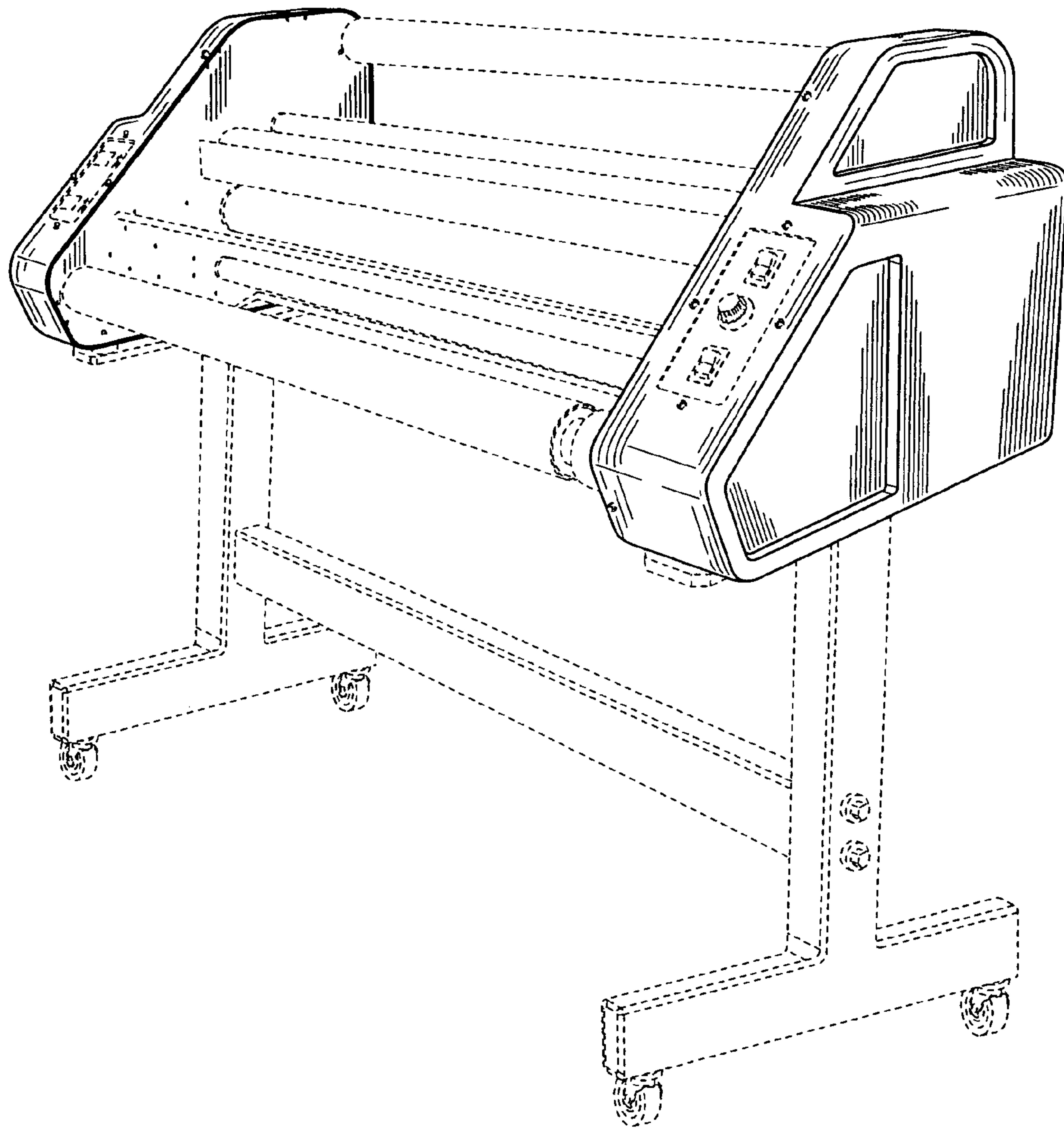


FIG. 1

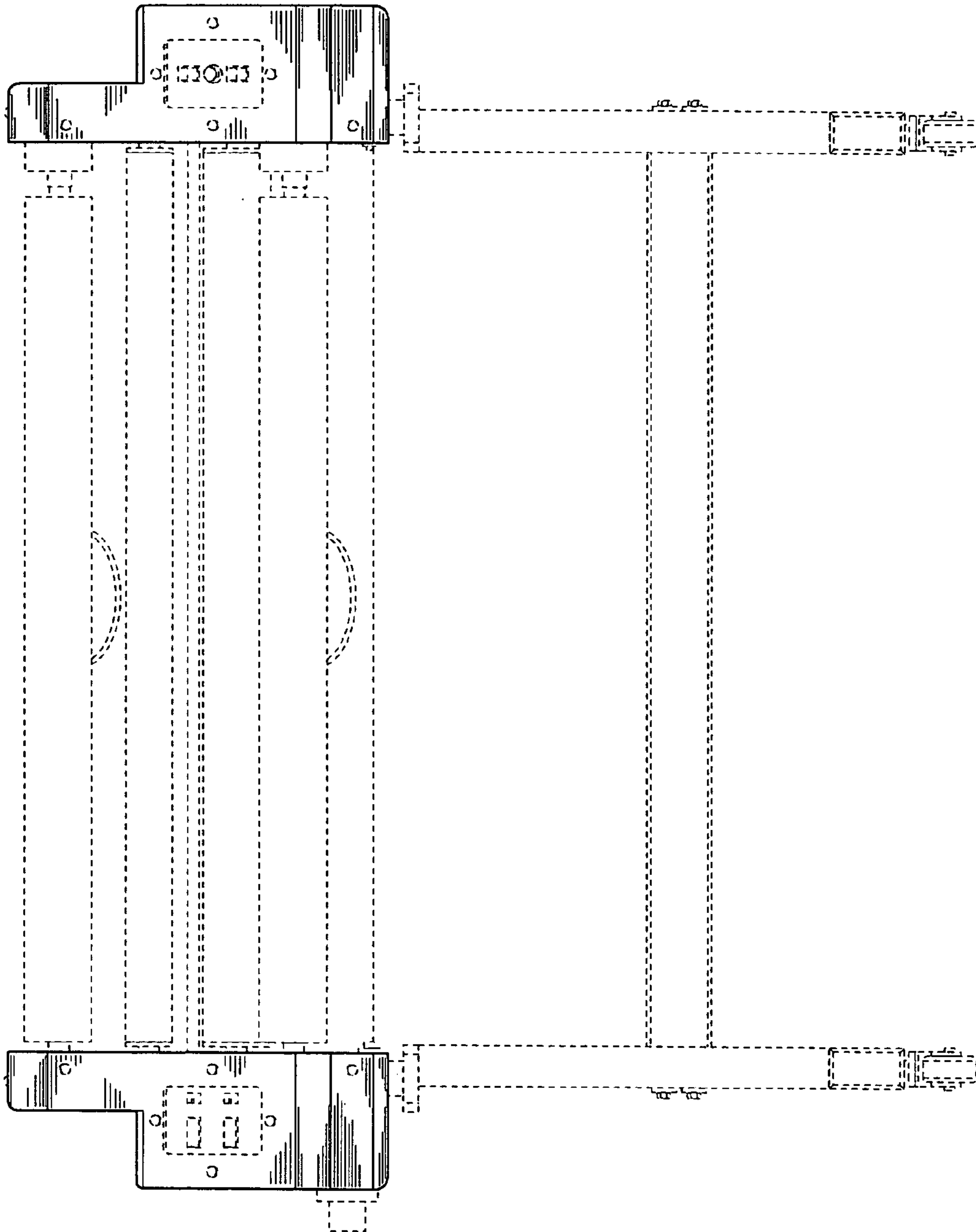


FIG. 2

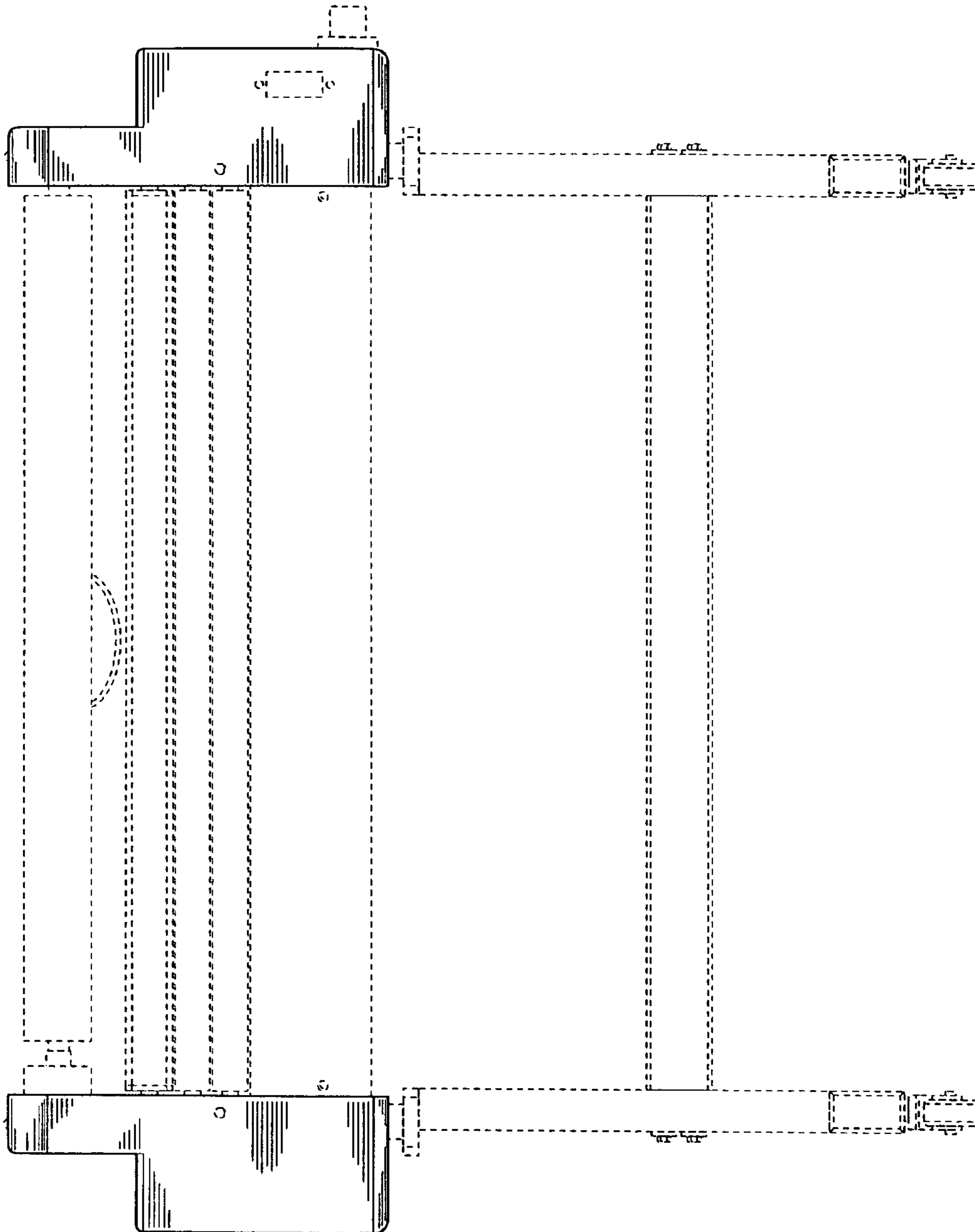


FIG. 3

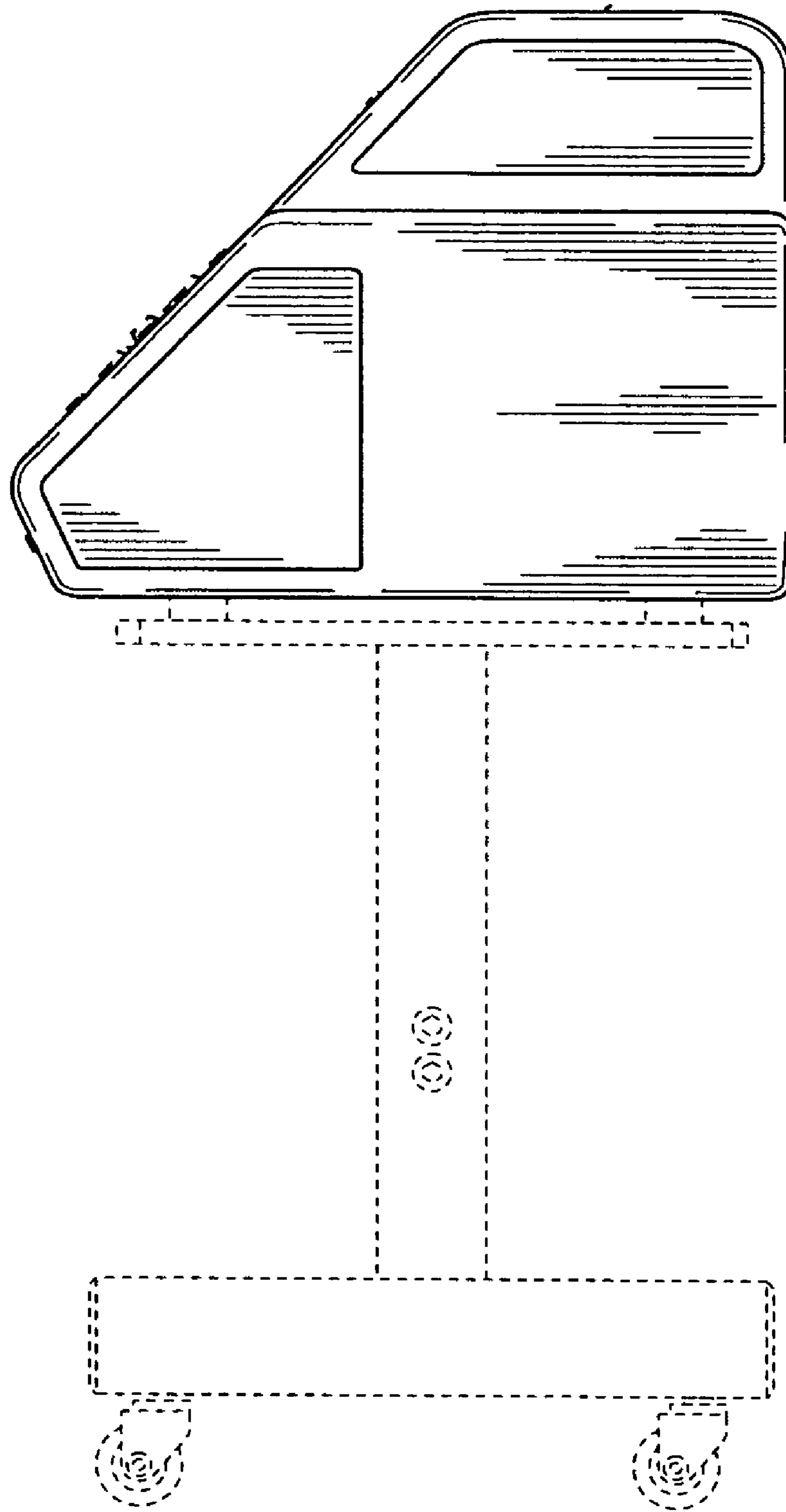


FIG. 4

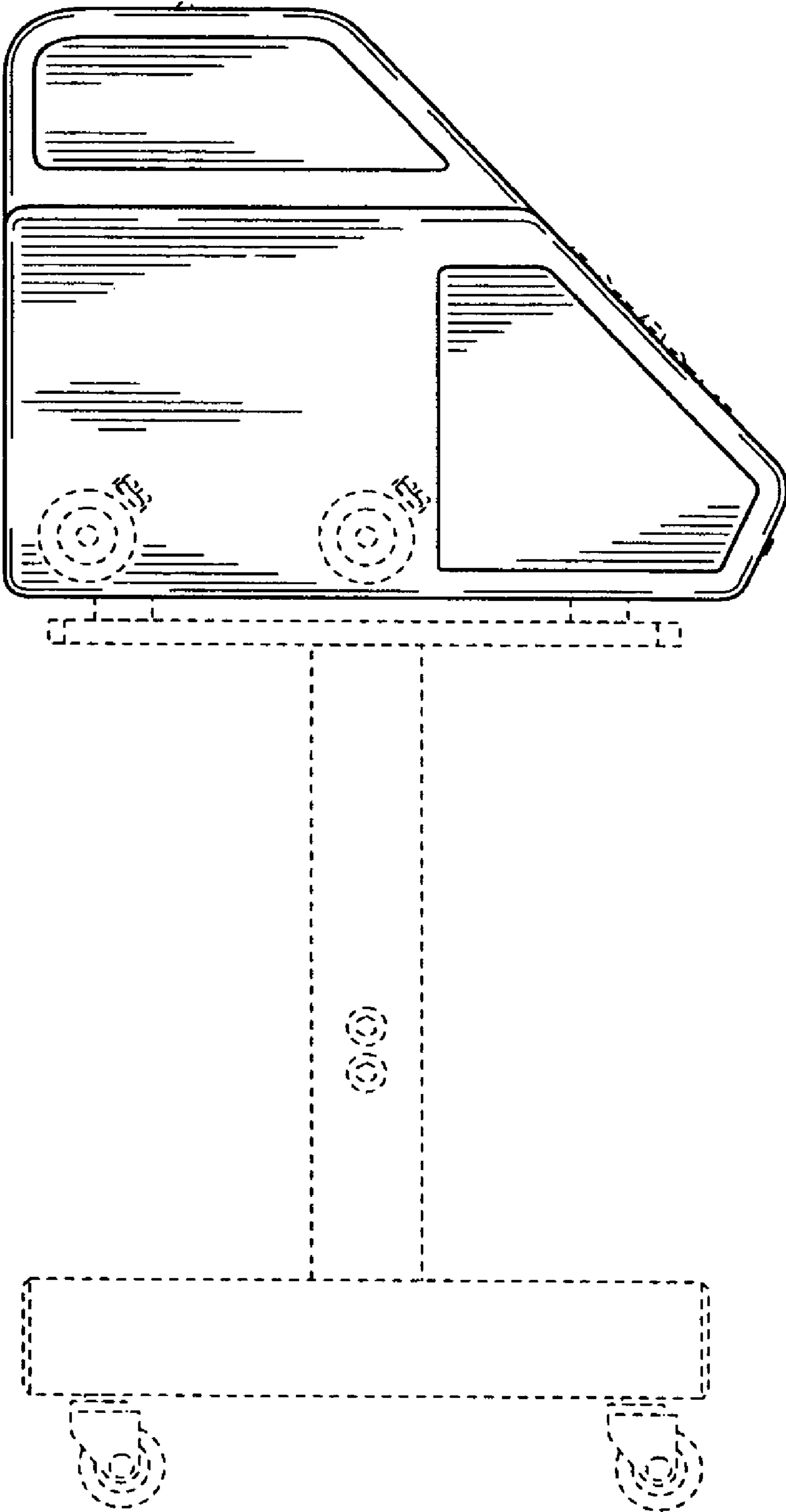


FIG. 5

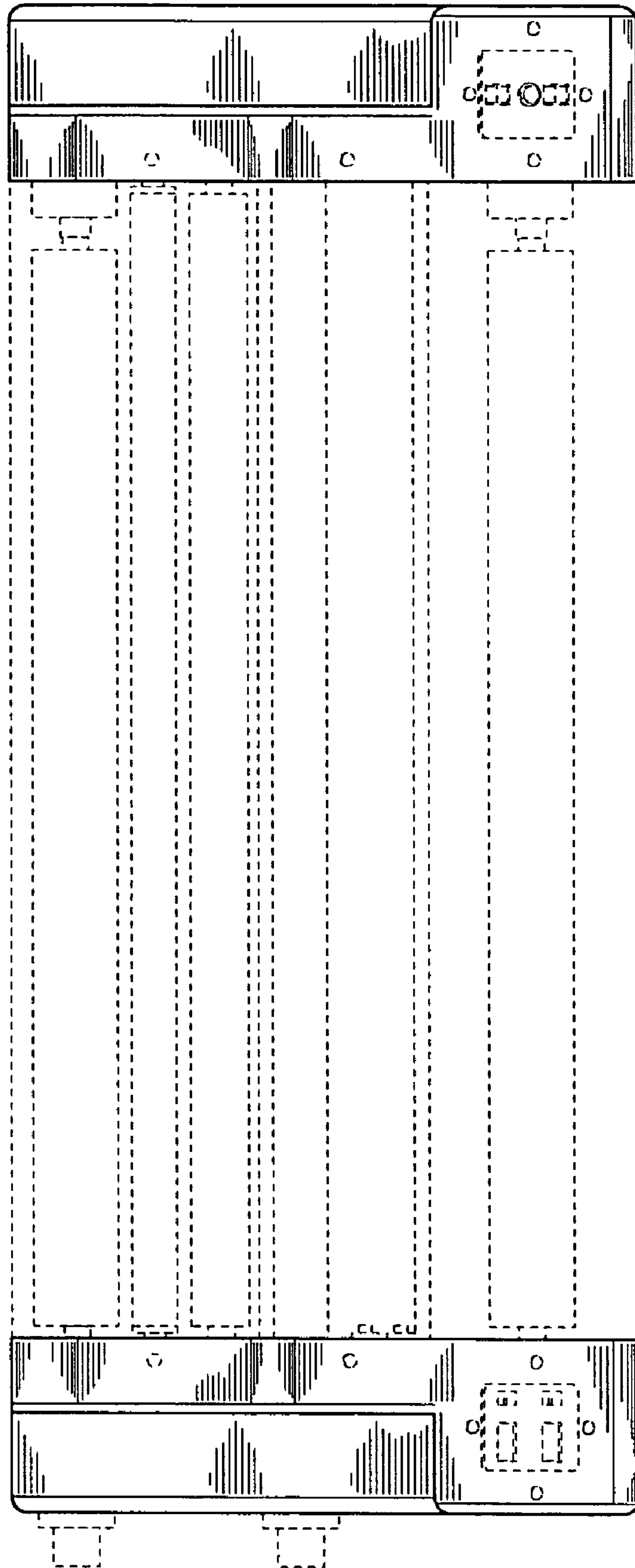


FIG. 6

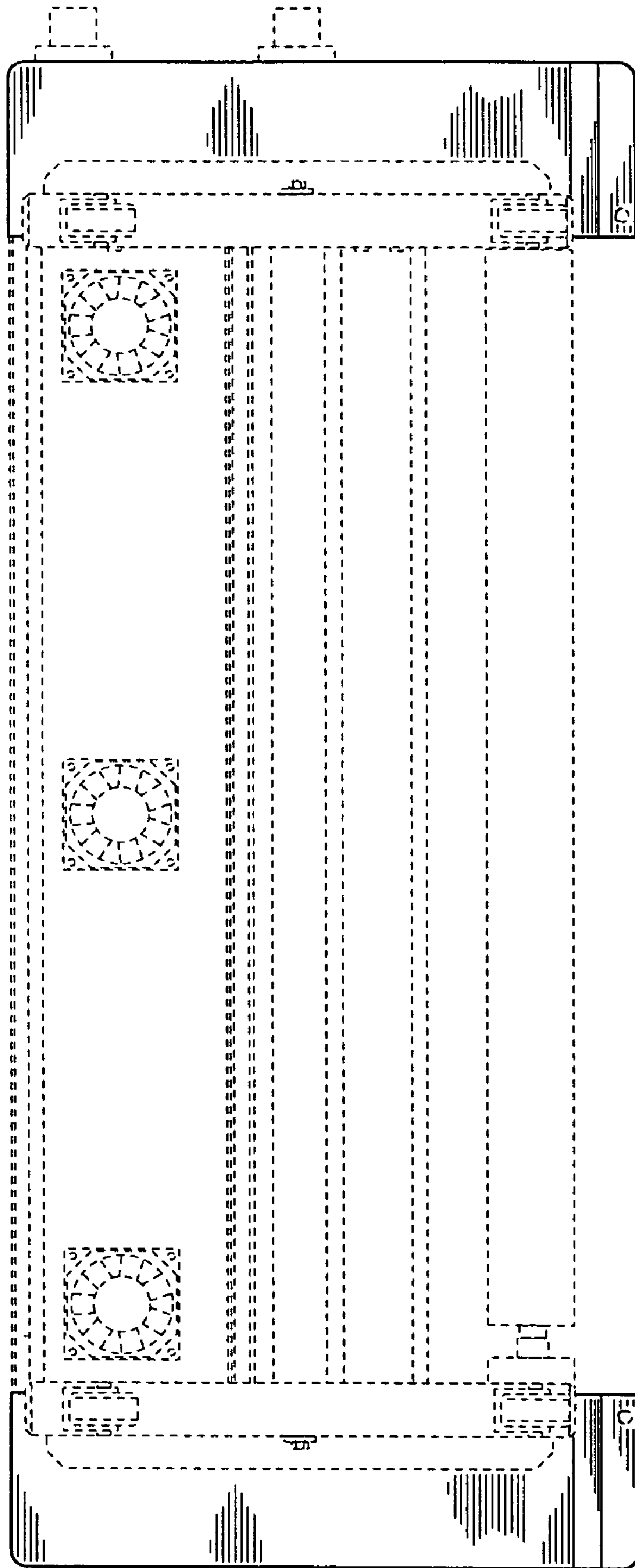


FIG. 7