



US00D544887S

(12) **United States Design Patent**  
**Ariaz**

(10) **Patent No.:** **US D544,887 S**

(45) **Date of Patent:** **\*\* Jun. 19, 2007**

(54) **VECTOR CONTROL AGENT APPLICATOR  
FRAME ASSEMBLY**

D484,565 S \* 12/2003 Ariaz ..... D23/200

**OTHER PUBLICATIONS**

(76) Inventor: **Danny L. Ariaz**, 7575 Tamra Dr.,  
Reno, NV (US) 89506

Arro Gun Spray Systems, LLC, Brochure, published before  
Dec. 2004.

(\*\*) Term: **14 Years**

\* cited by examiner

(21) Appl. No.: **29/245,760**

*Primary Examiner*—Stella Reid

*Assistant Examiner*—Mark Goodwin

(22) Filed: **Dec. 28, 2005**

(74) *Attorney, Agent, or Firm*—James F. Hann; Haynes  
Beffel & Wolfeld LLP

(51) **LOC (8) Cl.** ..... **15-03**

(52) **U.S. Cl.** ..... **D15/27**

(58) **Field of Classification Search** ..... D15/10,  
D15/27, 28, 33; D12/414.1, 400, 406, 162;  
D23/200, 213, 214, 217; 43/900, 132.1, 134,  
43/138, 124; 296/3; 280/769; 224/488, 414,  
224/400, 274, 402, 506, 521–525, 533, 545  
See application file for complete search history.

(57) **CLAIM**

The ornamental design for a vector control agent applicator  
frame assembly, as shown and described.

**DESCRIPTION**

The vector control agent applicator frame assembly is used  
as part of a vector control agent applicator system used to  
apply a liquid or granular vector control agent. One typical  
application is the control of sandflies on a beach or other  
tidal area.

FIG. 1 is a front, right, top isometric view of a vector control  
agent applicator frame assembly showing my new design,  
the front, left, top isometric view being a mirror image  
thereof;

FIG. 2 is rear, right, top isometric view thereof, the rear left  
top isometric view being a mirror image thereof; and,

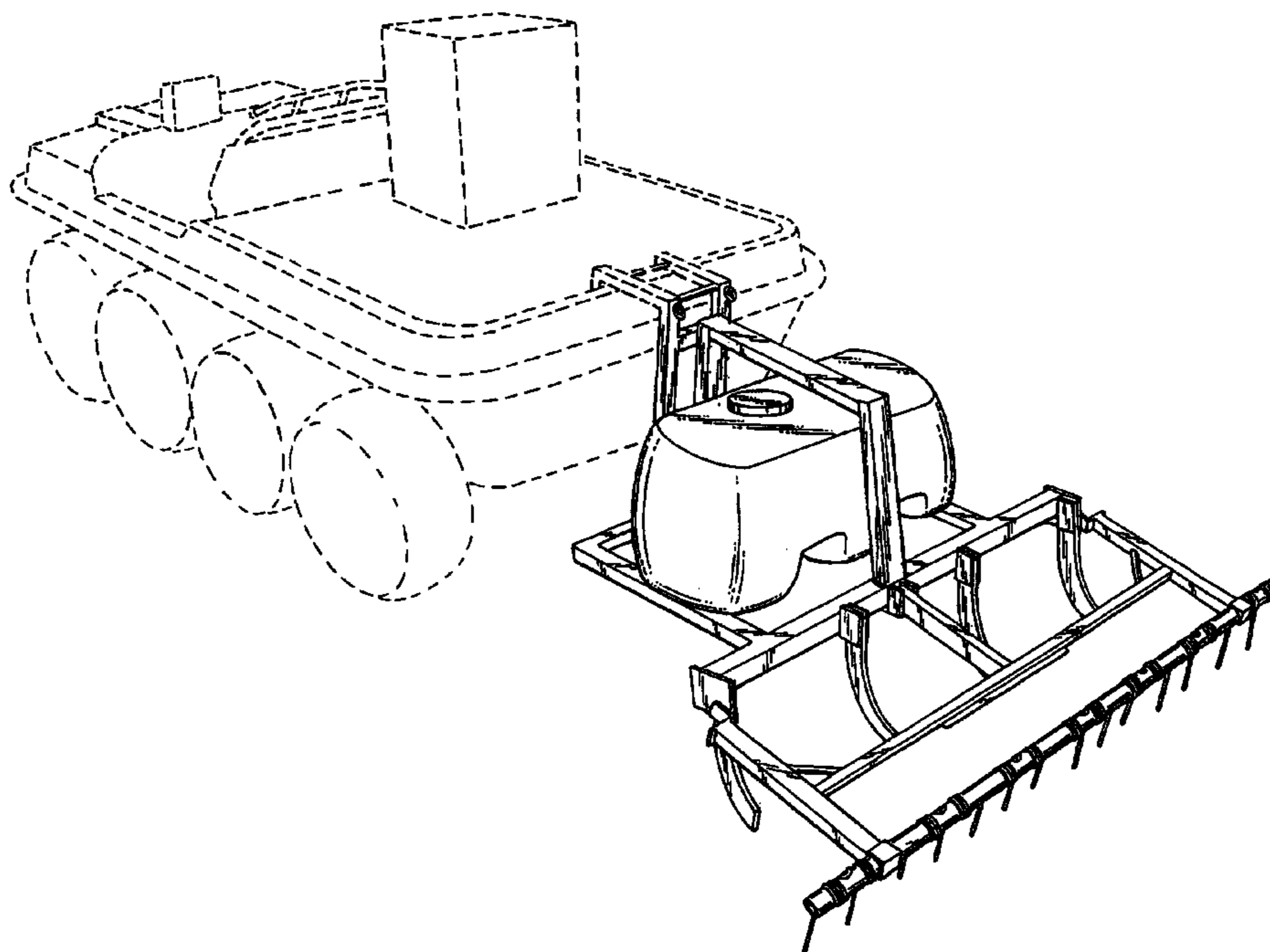
FIG. 3 is a partial front, top isometric view thereof.  
The broken lines in FIG. 1 illustrative a typical tow vehicle  
for illustrative purposes only and form no part of the claimed  
sign.

(56) **References Cited**

**U.S. PATENT DOCUMENTS**

1,076,880	A	*	10/1913	Giенcke	.....	239/156
1,286,581	A	*	12/1918	Garrett	.....	172/687
2,593,796	A	*	4/1952	Riewerts	.....	414/724
3,846,932	A	*	11/1974	Bialobrzieski	.....	43/138
D271,768	S	*	12/1983	Sommerfeld	.....	D15/27
D285,282	S	*	8/1986	Ariaz et al.	.....	D8/2
D295,979	S	*	5/1988	Baeta	.....	D15/27
4,799,831	A	*	1/1989	Ariaz	.....	406/136
D367,314	S	*	2/1996	Nilsson	.....	D23/200
D368,101	S	*	3/1996	Eubanks	.....	D15/27
5,829,536	A	*	11/1998	Pigg et al.	.....	172/482
D437,326	S	*	2/2001	Koberlein et al.	.....	D15/11
6,530,332	B2	*	3/2003	Burley	.....	111/52

**1 Claim, 3 Drawing Sheets**



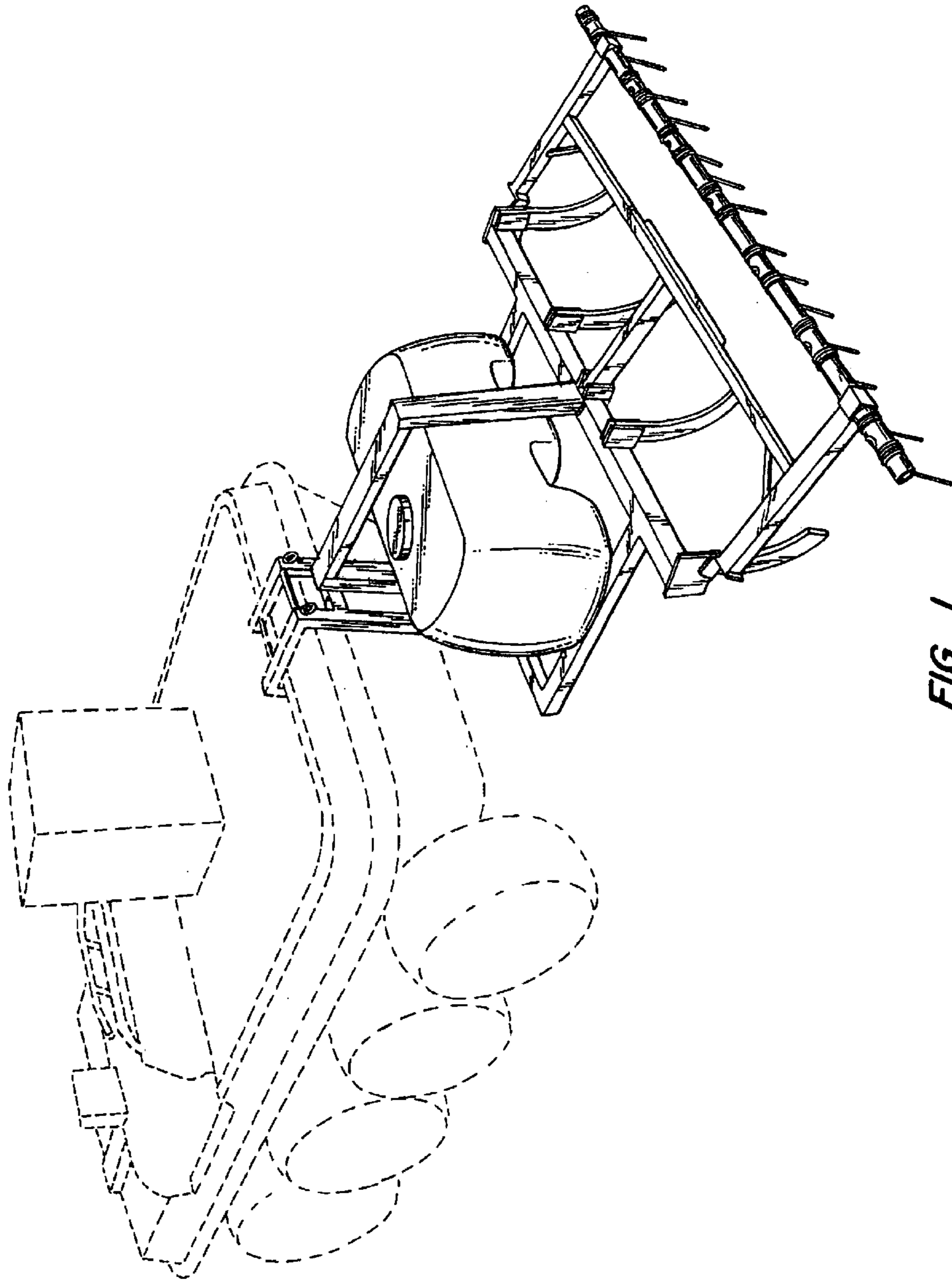


FIG. 1

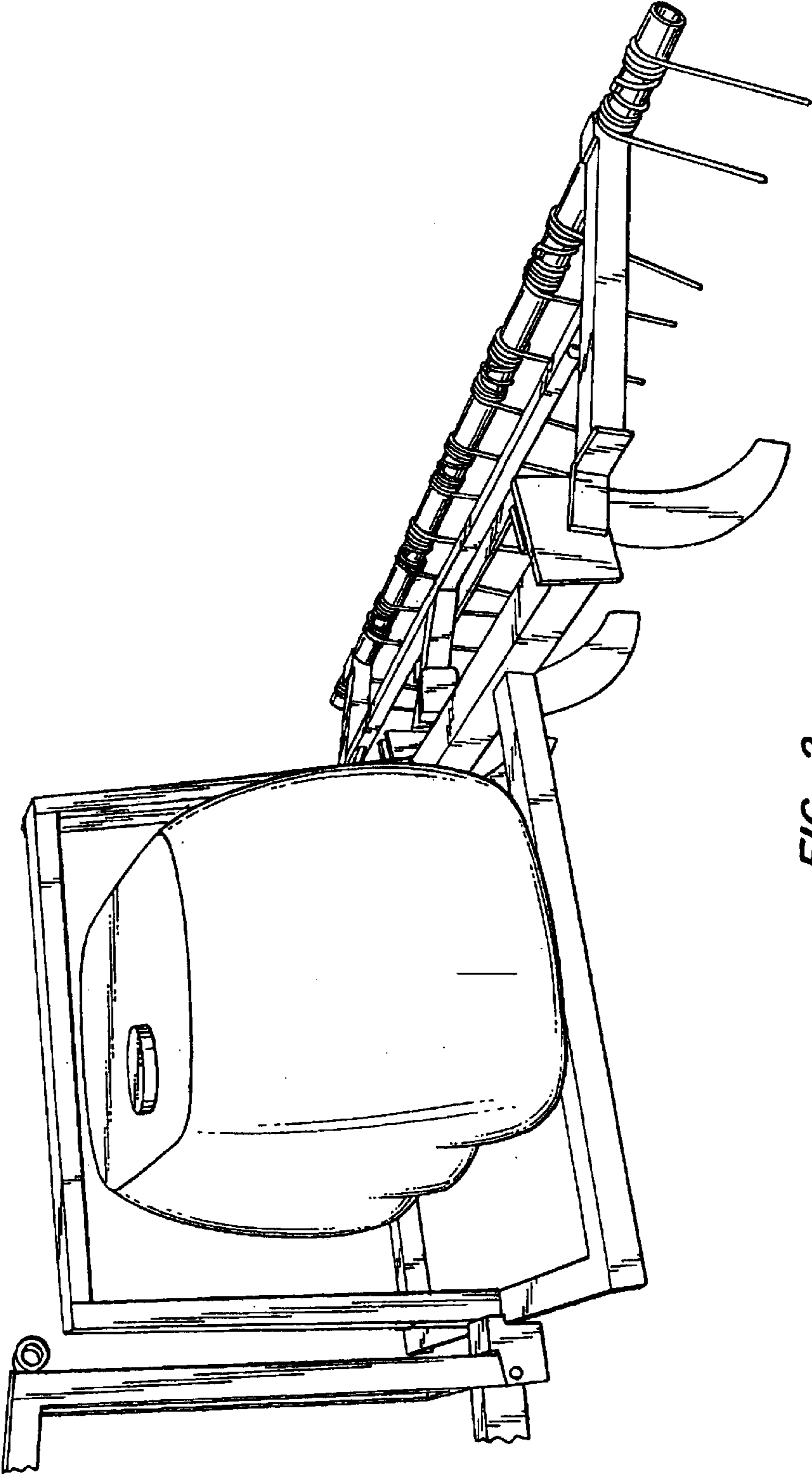


FIG. 2

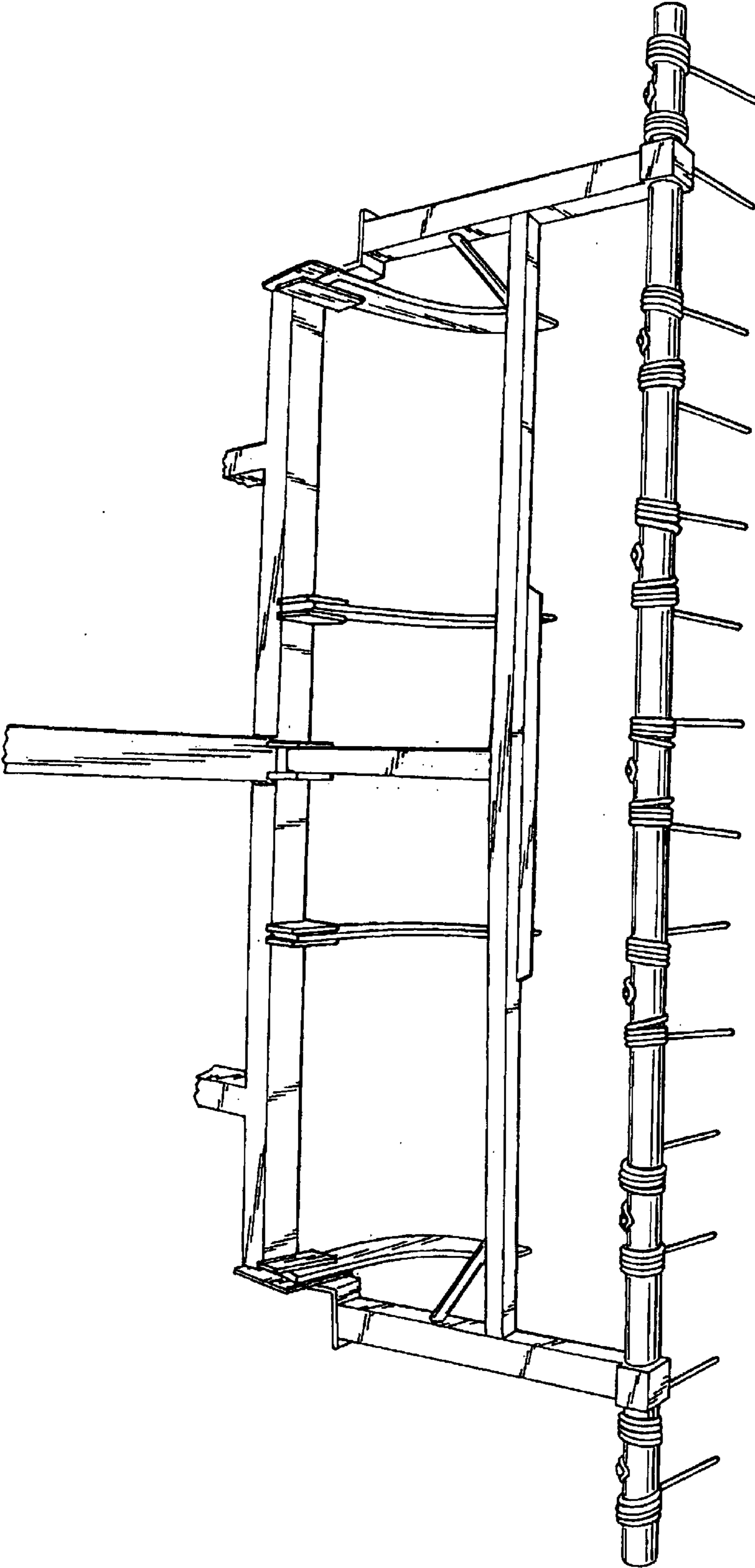


FIG. 3