

US00D544886S

(12) **United States Design Patent**
Pedracini et al.

(10) **Patent No.: US D544,886 S**

(45) **Date of Patent: ** Jun. 19, 2007**

(54) **FORAGE HARVESTER**

(75) Inventors: **Marco Pedracini**, Vercelli (IT); **Jan P. Raaben**, Brugge (BE); **Pieter M. I. Steen**, Ieper (BE)

(73) Assignee: **CNH America LLC**, New Holland, PA (US)

(**) Term: **14 Years**

(21) Appl. No.: **29/238,861**

(22) Filed: **Sep. 22, 2005**

(30) **Foreign Application Priority Data**

Apr. 11, 2005 (EM) 000325485

(51) **LOC (8) Cl.** **15-03**

(52) **U.S. Cl.** **D15/26; D15/33**

(58) **Field of Classification Search** D15/10, D15/15, 28, 22-26, 30, 33; 180/89.1, 89.12, 180/900; 56/14.7, 16.7, 10.1, 14.6, 16.6, 56/10.2 E, 10.2 R

See application file for complete search history.

(56) **References Cited**

U.S. PATENT DOCUMENTS

3,384,232 A * 5/1968 Turnbull et al. 209/11
D223,466 S * 4/1972 Fell D15/26
D231,557 S * 4/1974 Hennen et al. D15/23
D245,420 S * 8/1977 Maucher D15/26
D253,057 S * 10/1979 Fachini et al. D15/26
4,256,431 A * 3/1981 Strauss et al. 414/505
4,524,573 A * 6/1985 Kinney 56/330
D309,738 S * 8/1990 Schober et al. D15/26

5,309,700 A * 5/1994 Winkels et al. 56/10.2 E
5,519,987 A * 5/1996 Voss et al. 56/14.6
D373,591 S * 9/1996 Von Allworden et al. ... D15/26
6,000,203 A * 12/1999 Weatherbee et al. 56/14.9
6,282,875 B1 * 9/2001 Holtkotte et al. 56/228

FOREIGN PATENT DOCUMENTS

EM 000325485 11/2005

* cited by examiner

Primary Examiner—Stella Reid

Assistant Examiner—Mark Goodwin

(74) *Attorney, Agent, or Firm*—Michael G. Harms; John William Stader; Stephen A. Bucchianeri

(57) **CLAIM**

We claim the ornamental design for the forage harvester, as shown and described.

DESCRIPTION

FIG. 1 is a front, left perspective view of the forage harvester showing our new design:

FIG. 2 is a top, plan view of the forage harvester;

FIG. 3 is a rear, perspective view of the forage harvester;

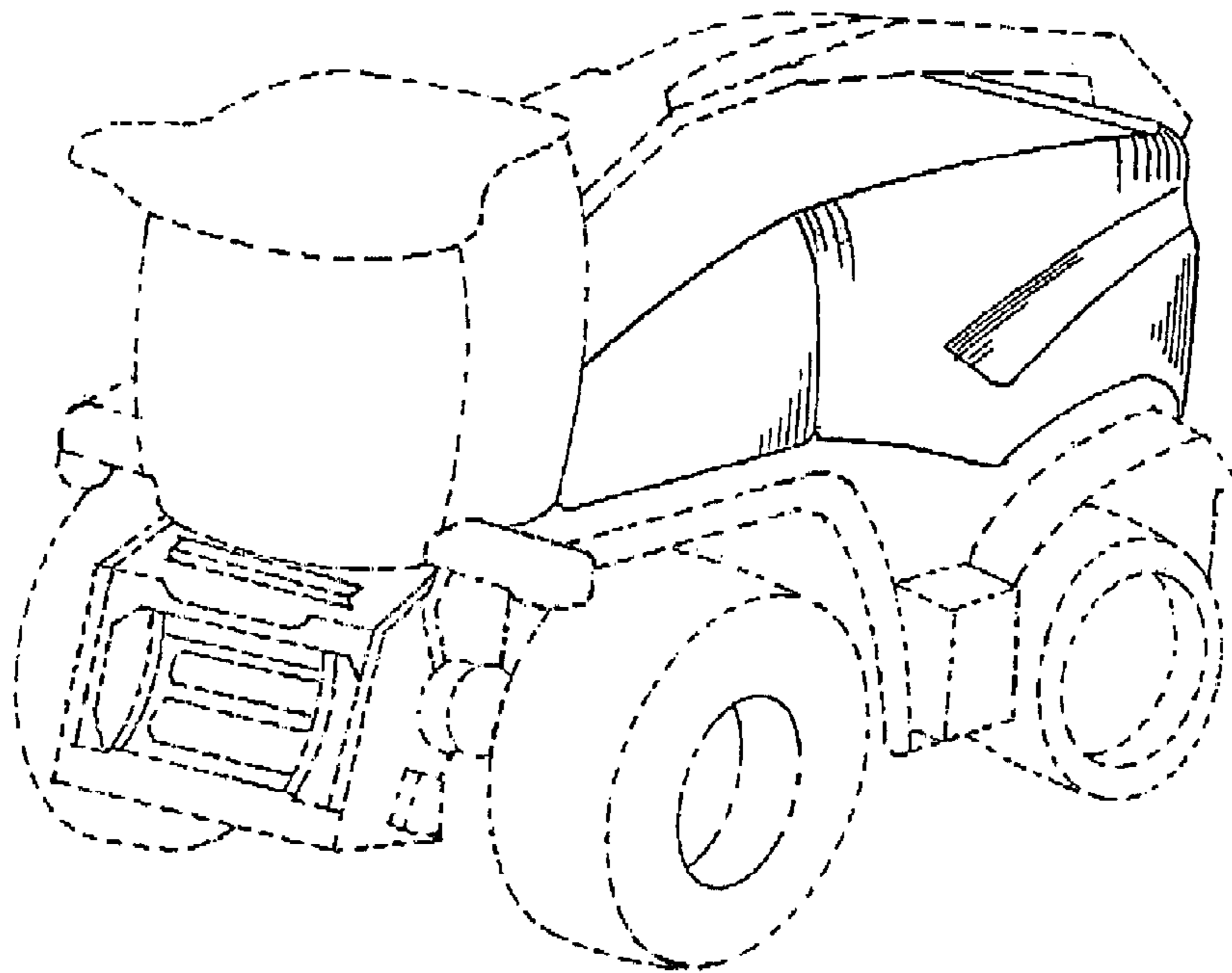
FIG. 4 is a left, perspective view of the forage harvester;

FIG. 5 is a right, perspective view of the forage harvester; and,

FIG. 6 is a front, perspective view of the forage harvester.

The broken line showing in FIGS. 1-6 is included for the purpose of illustrating portions of the forage harvester and forms no part of the claimed design.

1 Claim, 6 Drawing Sheets



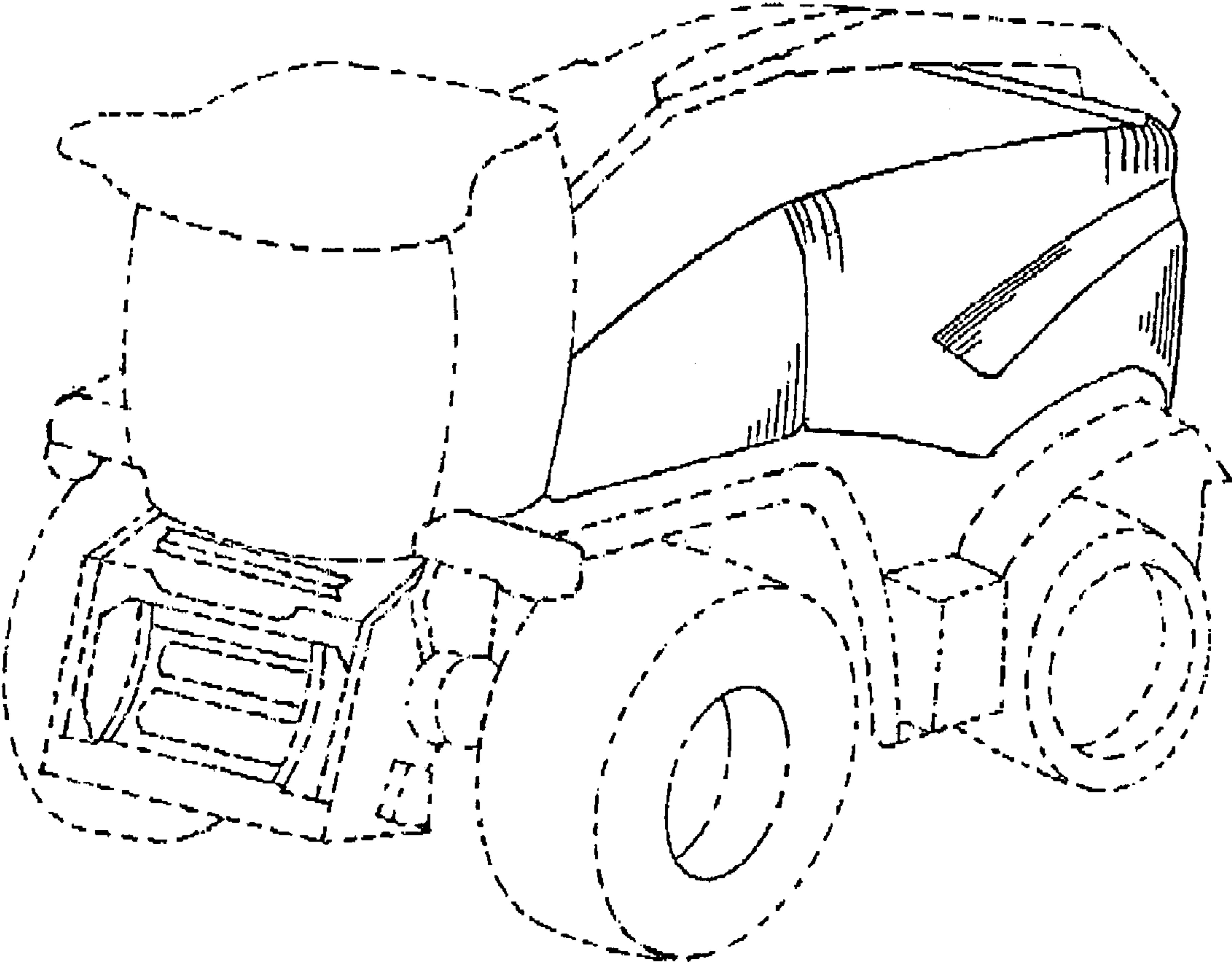


FIG. 1

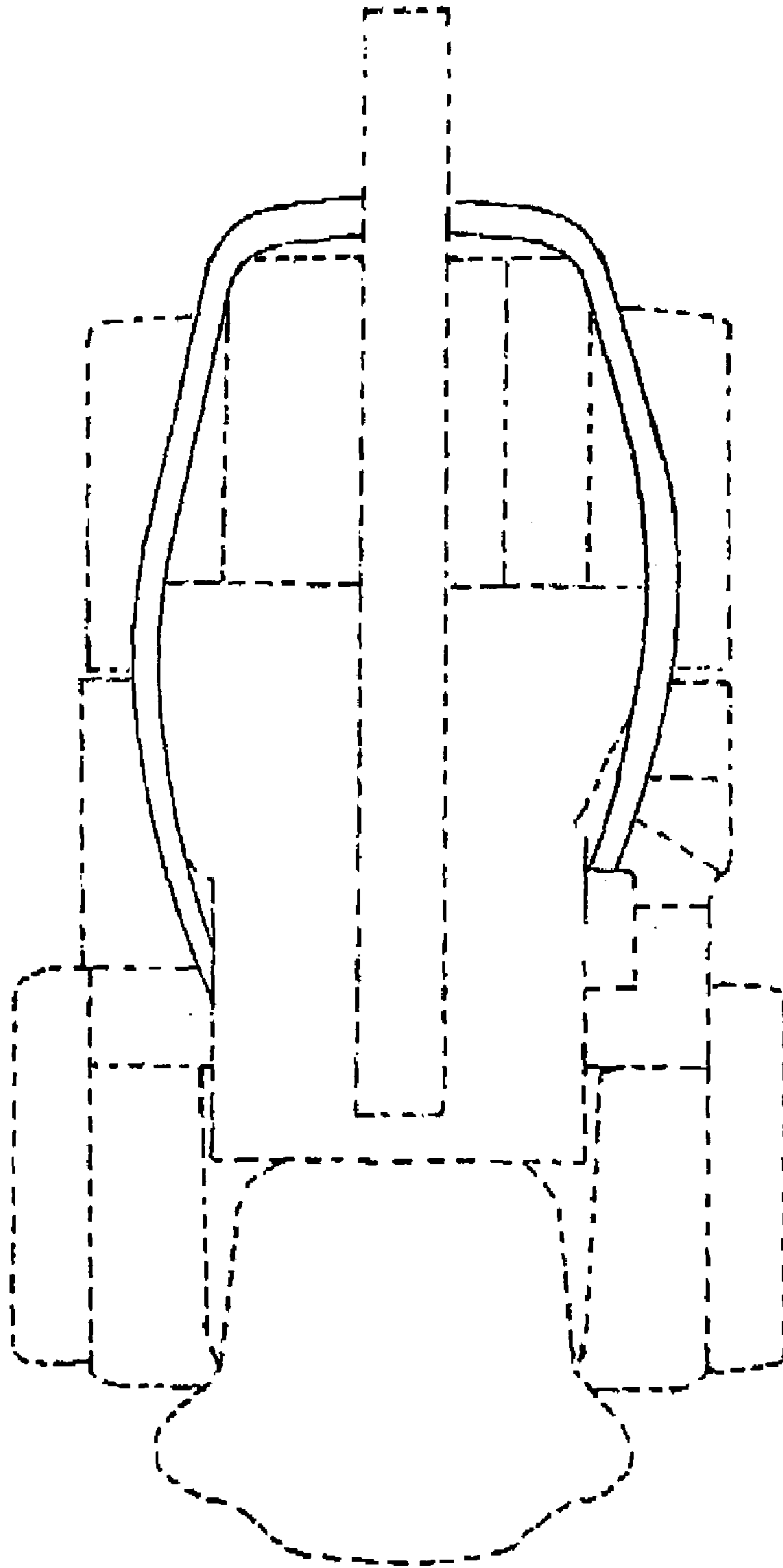


FIG. 2

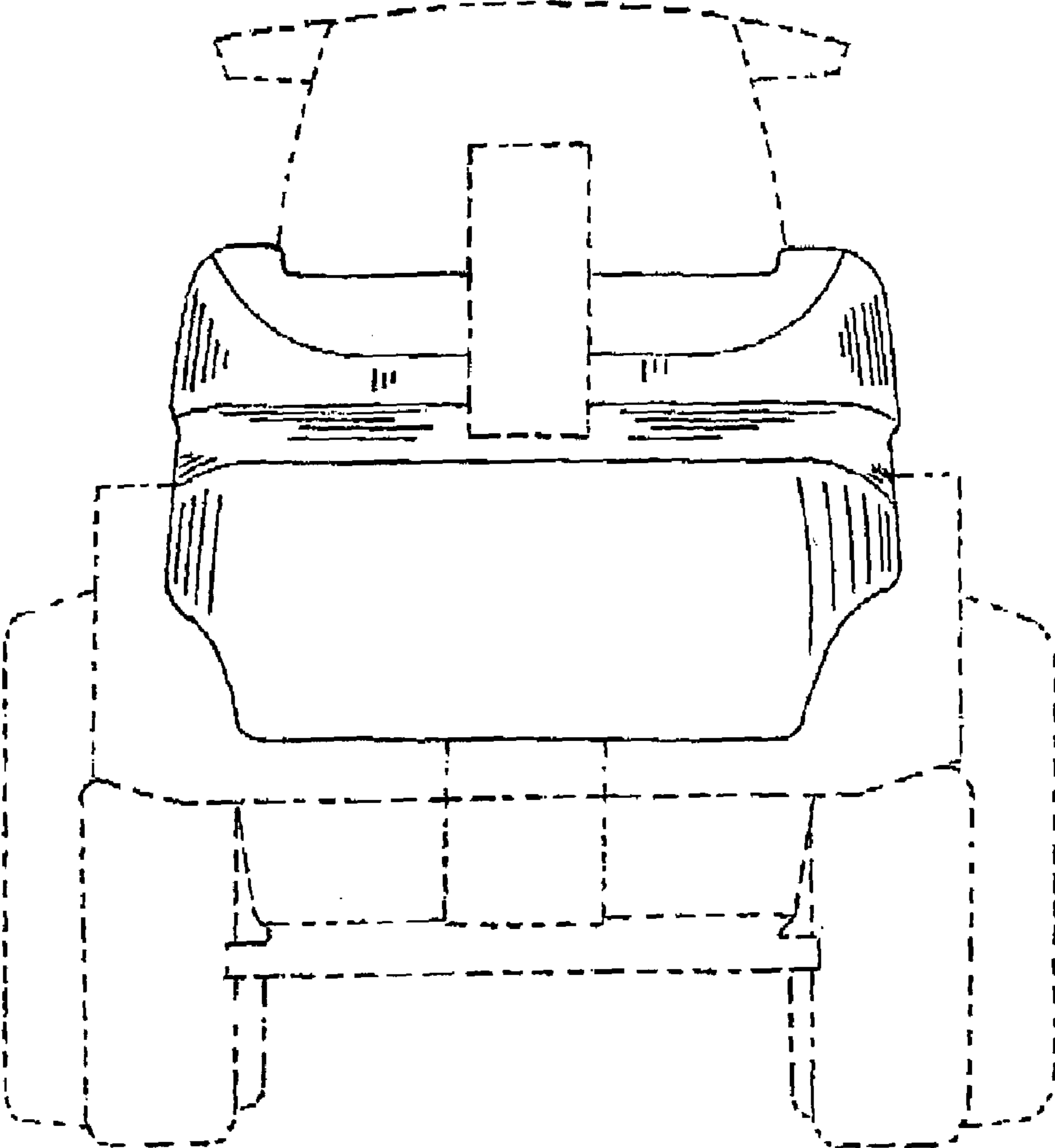


FIG. 3

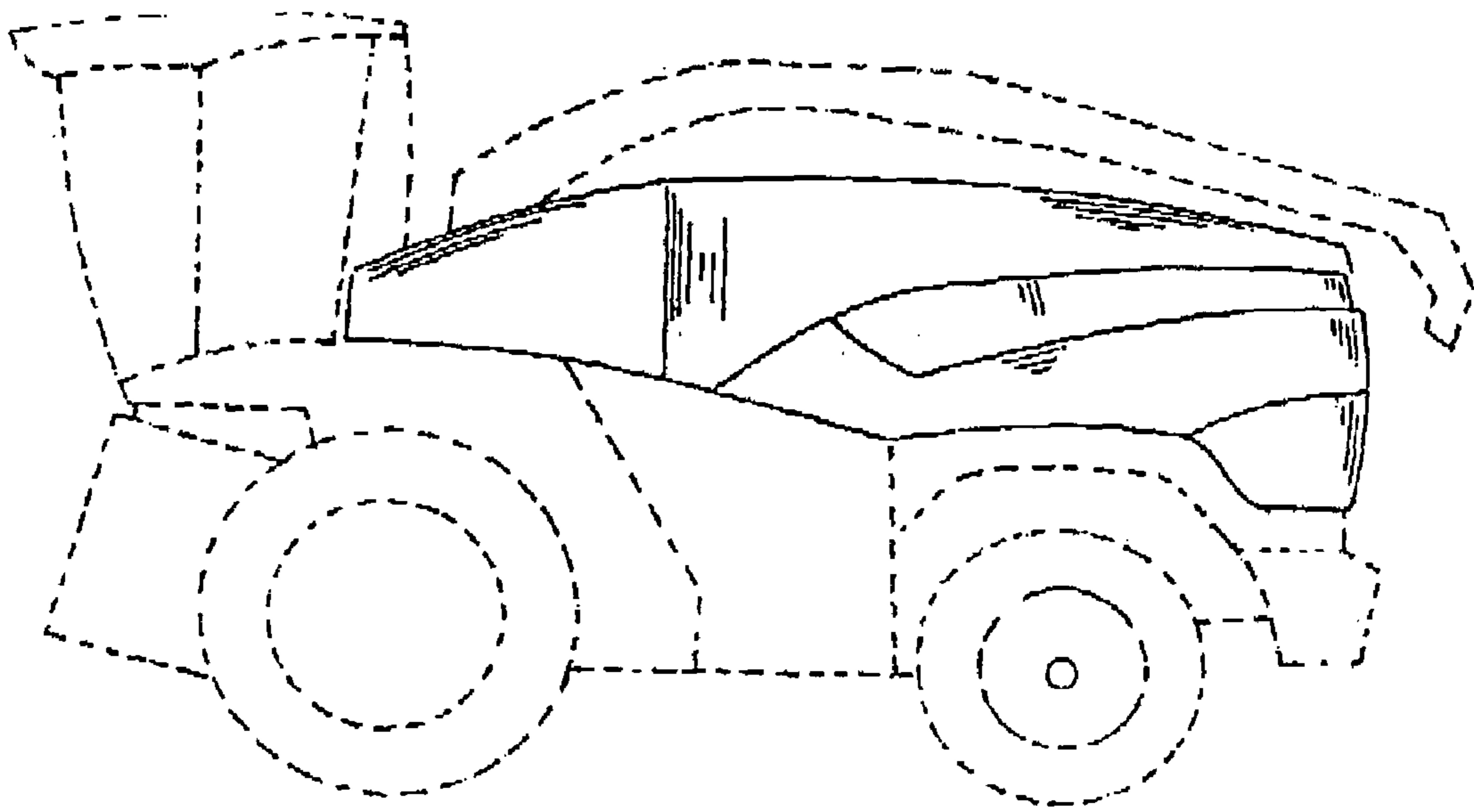


FIG.4

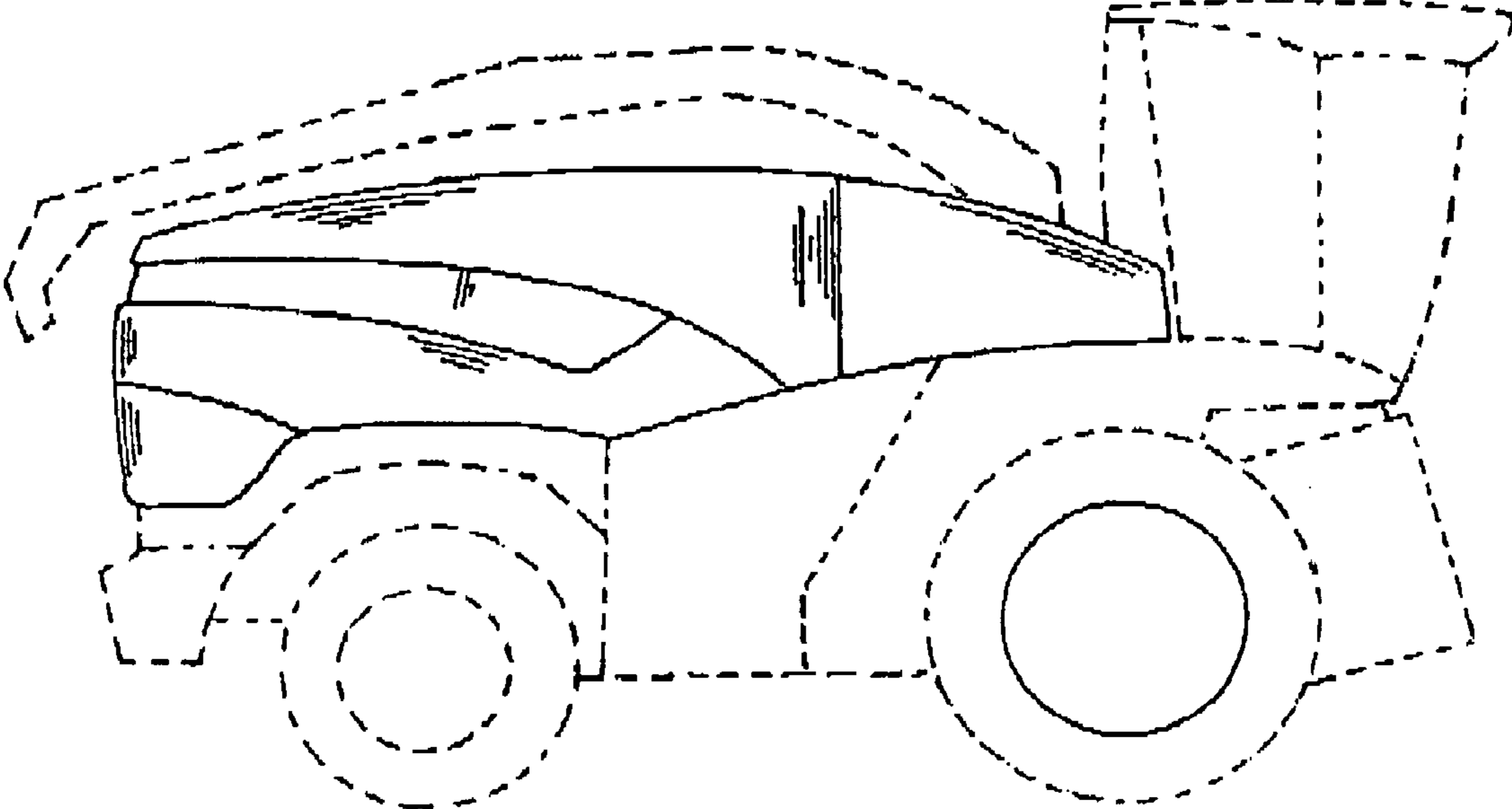


FIG. 5

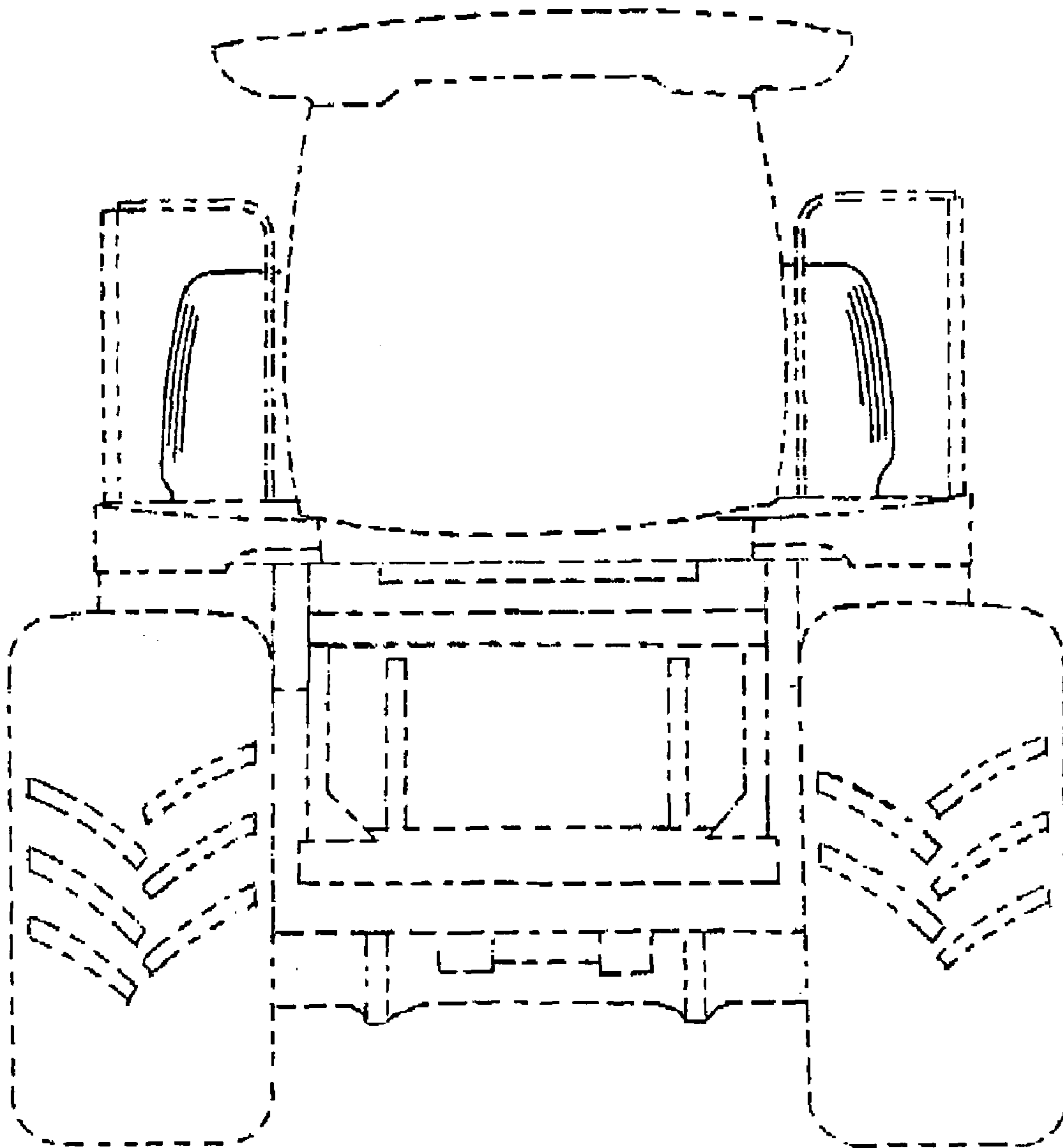


FIG. 6