



US00D544885S

(12) **United States Design Patent**  
**Takeuchi et al.**

(10) **Patent No.:** **US D544,885 S**  
(45) **Date of Patent:** **\*\* Jun. 19, 2007**

(54) **PUMP AND ISLAND FOR FUEL DISPENSING STATION**

(75) Inventors: **David W. Takeuchi**, Walnut Creek, CA (US); **David J. Oldman**, San Francisco, CA (US)

(73) Assignee: **Texaco Inc.**, San Ramon, CA (US)

(\*\*) Term: **14 Years**

(21) Appl. No.: **29/243,878**

(22) Filed: **Dec. 1, 2005**

(51) **LOC (8) Cl.** ..... **15-02**

(52) **U.S. Cl.** ..... **D15/9.1**

(58) **Field of Classification Search** ..... D10/96;  
D14/105, 107; D15/9.1-9.3; D25/56; D99/28;  
137/234.6; 141/198; 194/206; 222/23,  
222/26, 28, 71, 74, 372; 251/129.04, 129.64  
See application file for complete search history.

(56) **References Cited**

**U.S. PATENT DOCUMENTS**

D141,190 S	5/1945	Aldridge	
D141,191 S	5/1945	Aldridge	
D141,192 S	5/1945	Aldridge	
D144,476 S	4/1946	Aldridge	
D144,669 S *	5/1946	Adams	D15/9.2
D168,642 S	1/1953	Troik	
D194,945 S *	4/1963	Hunt	D15/9.2
D201,989 S *	8/1965	McRae	D15/9.2

D207,602 S *	5/1967	Freed	D15/9.2
D303,803 S *	10/1989	Phillips	D15/9.2
D429,255 S *	8/2000	Wilder et al.	D15/9.1
D433,030 S *	10/2000	Taylor et al.	D15/9.2

\* cited by examiner

*Primary Examiner*—Antoine D. Davis

*Assistant Examiner*—Patricia Palasik

(74) *Attorney, Agent, or Firm*—Frank C. Turner; Melissa Patangia

(57) **CLAIM**

The ornamental design for a pump and island for fuel dispensing station, as shown and described.

**DESCRIPTION**

FIG. 1 is a perspective view of the pump and island showing the design;

FIG. 2 is a front view thereof;

FIG. 3 is a rear view thereof;

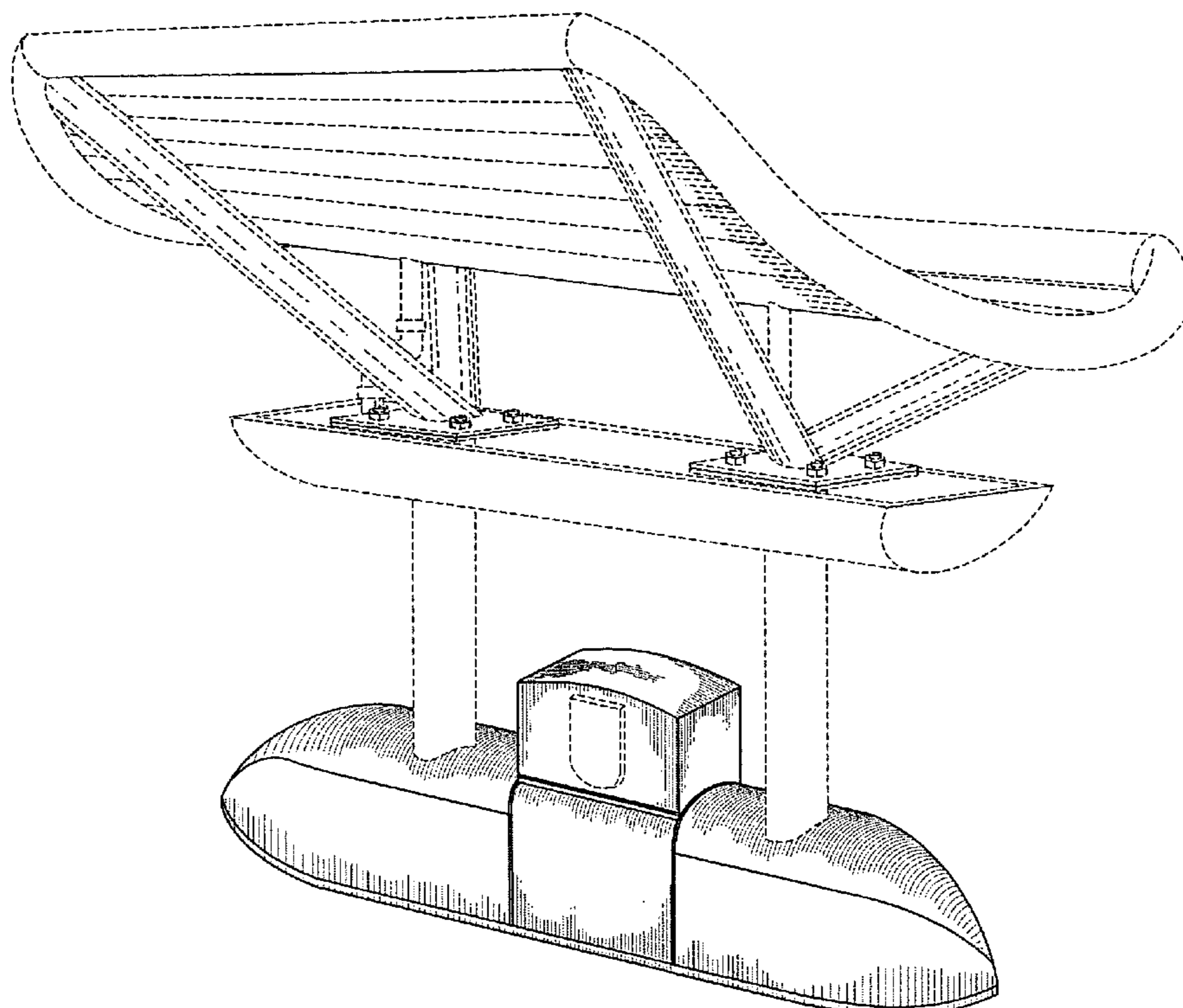
FIG. 4 is a top view thereof;

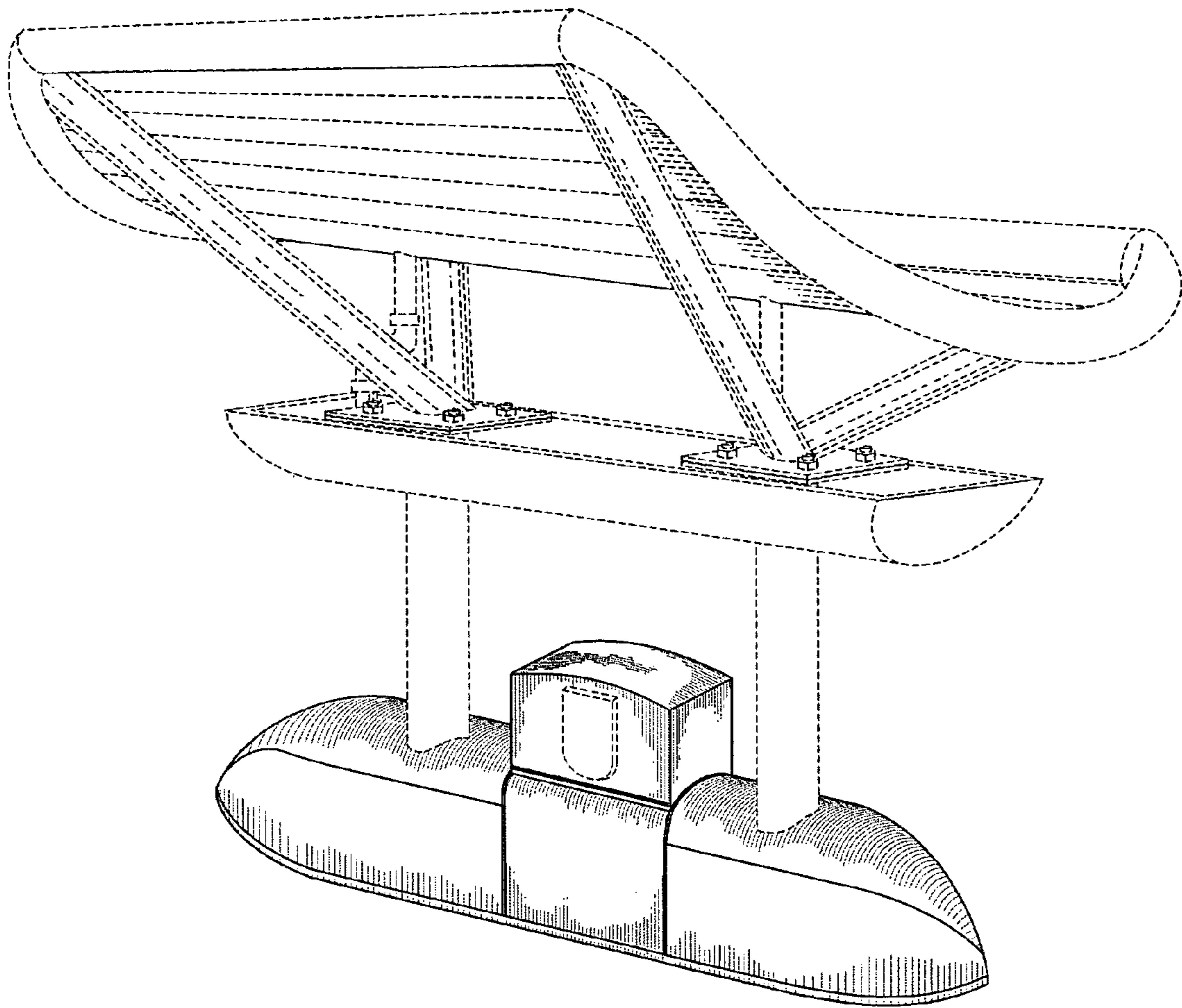
FIG. 5 is an end view thereof; and,

FIG. 6 is an end view thereof, opposite the end view shown in FIG. 5.

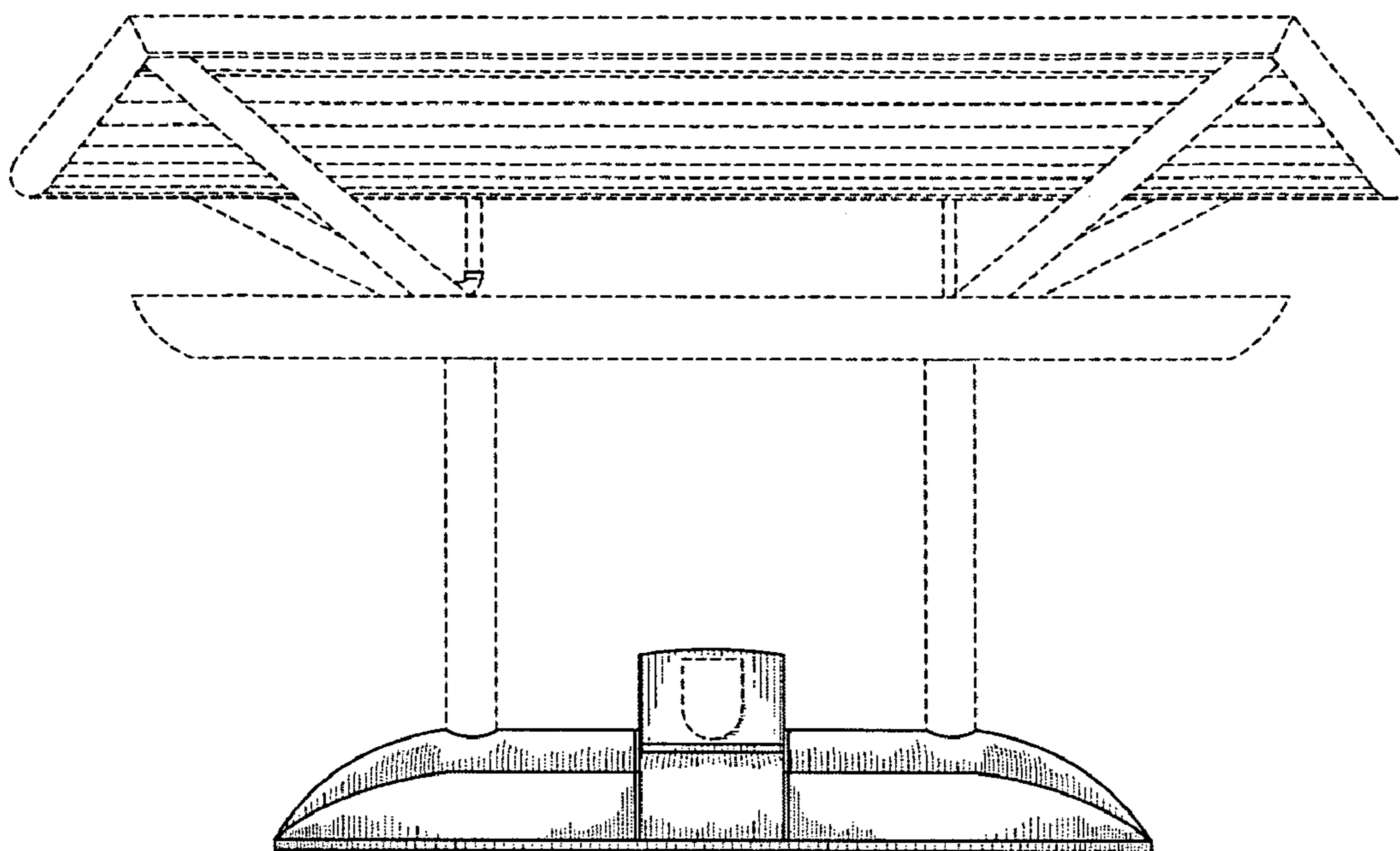
The broken line showing of a canopy for the pump and island for fuel dispensing station is included for the purpose of illustrating environmental structure and forms no part of the claimed design.

**1 Claim, 3 Drawing Sheets**

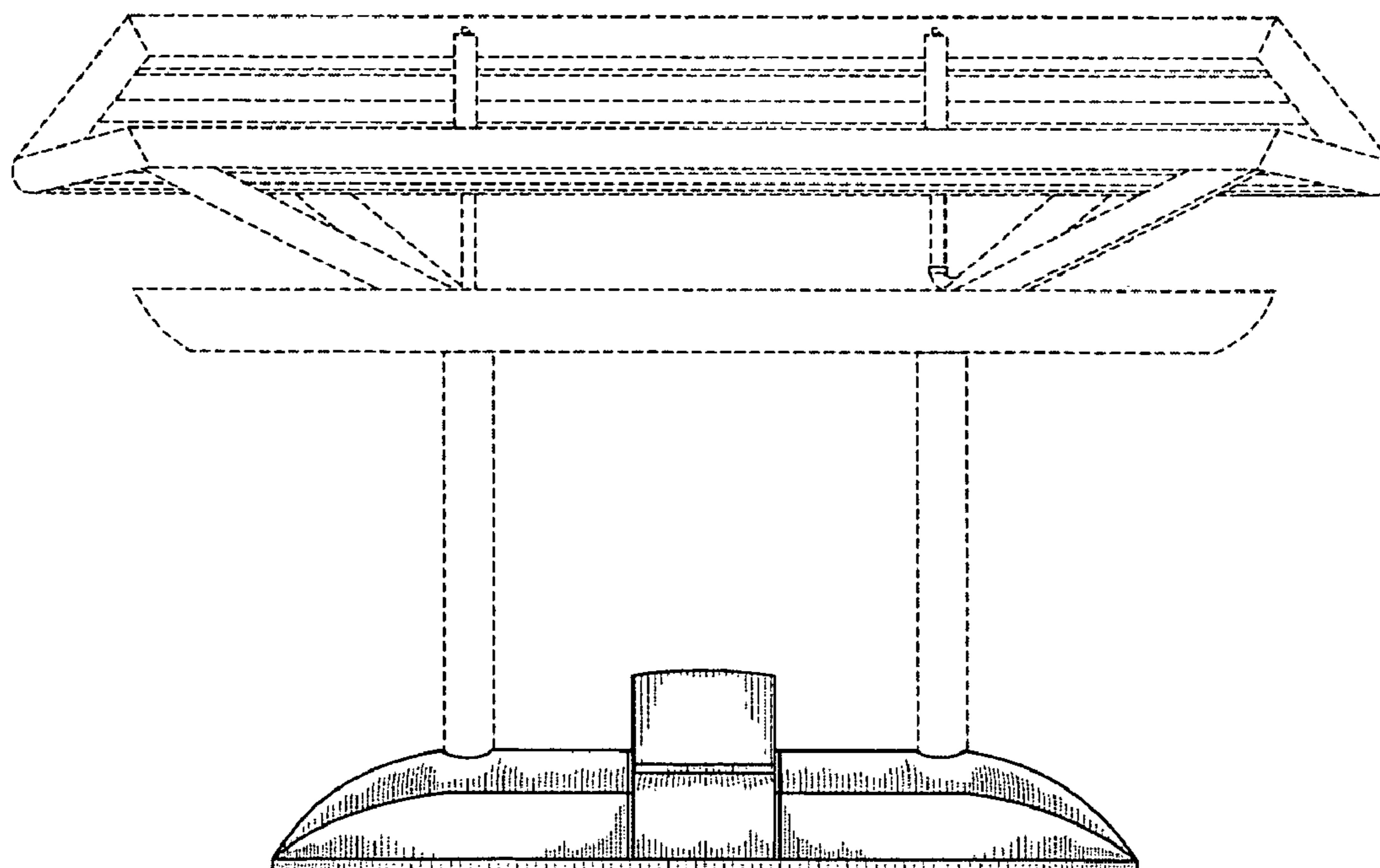




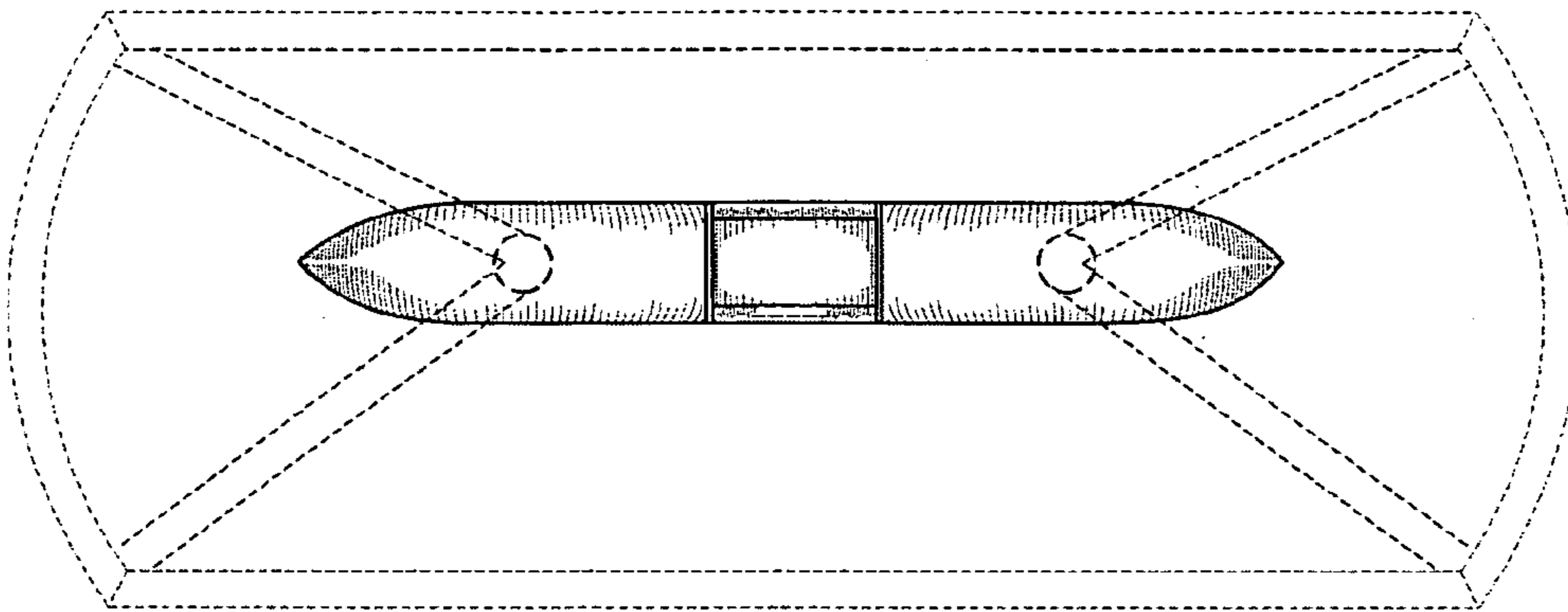
**FIG. 1**



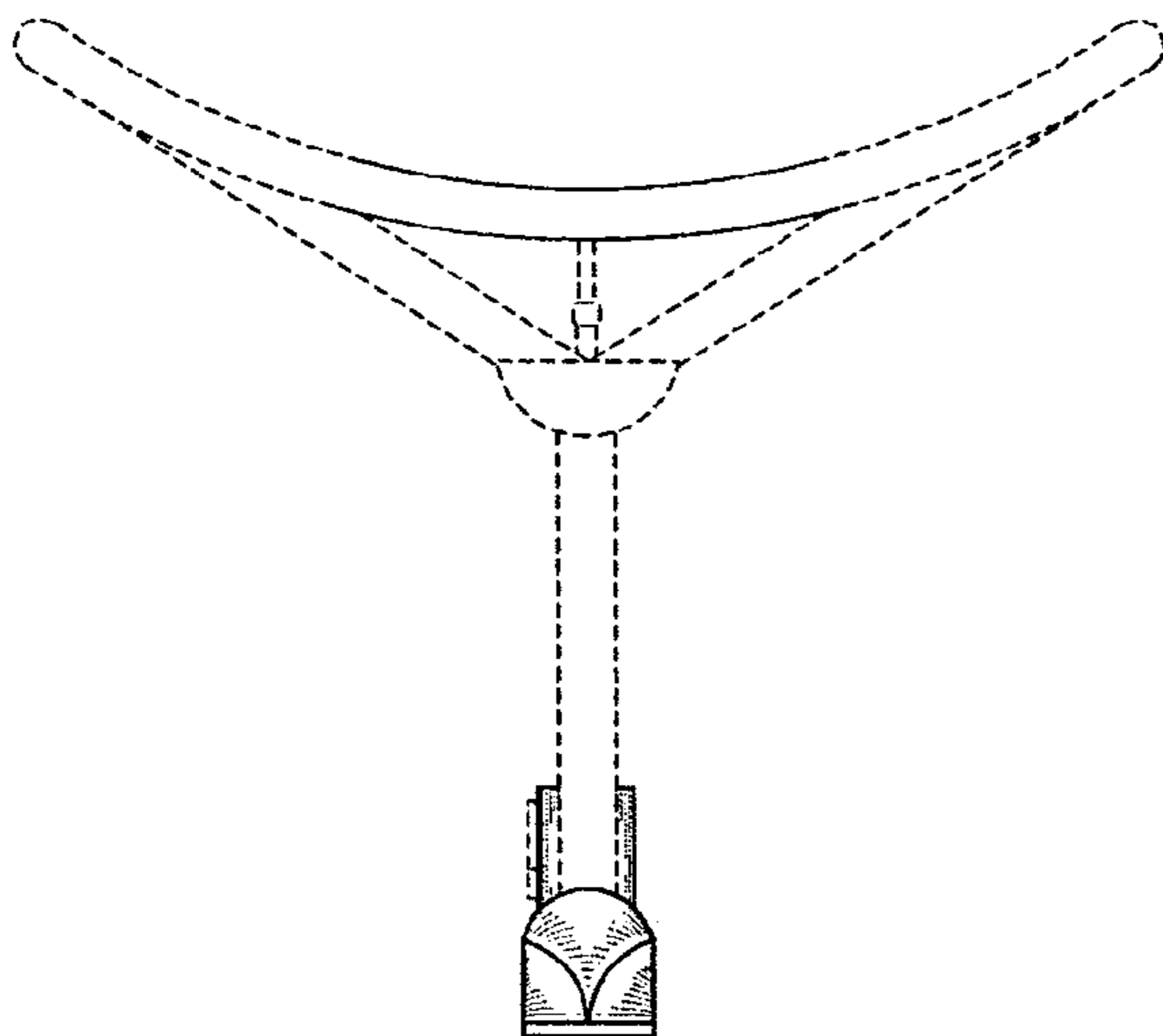
**FIG. 2**



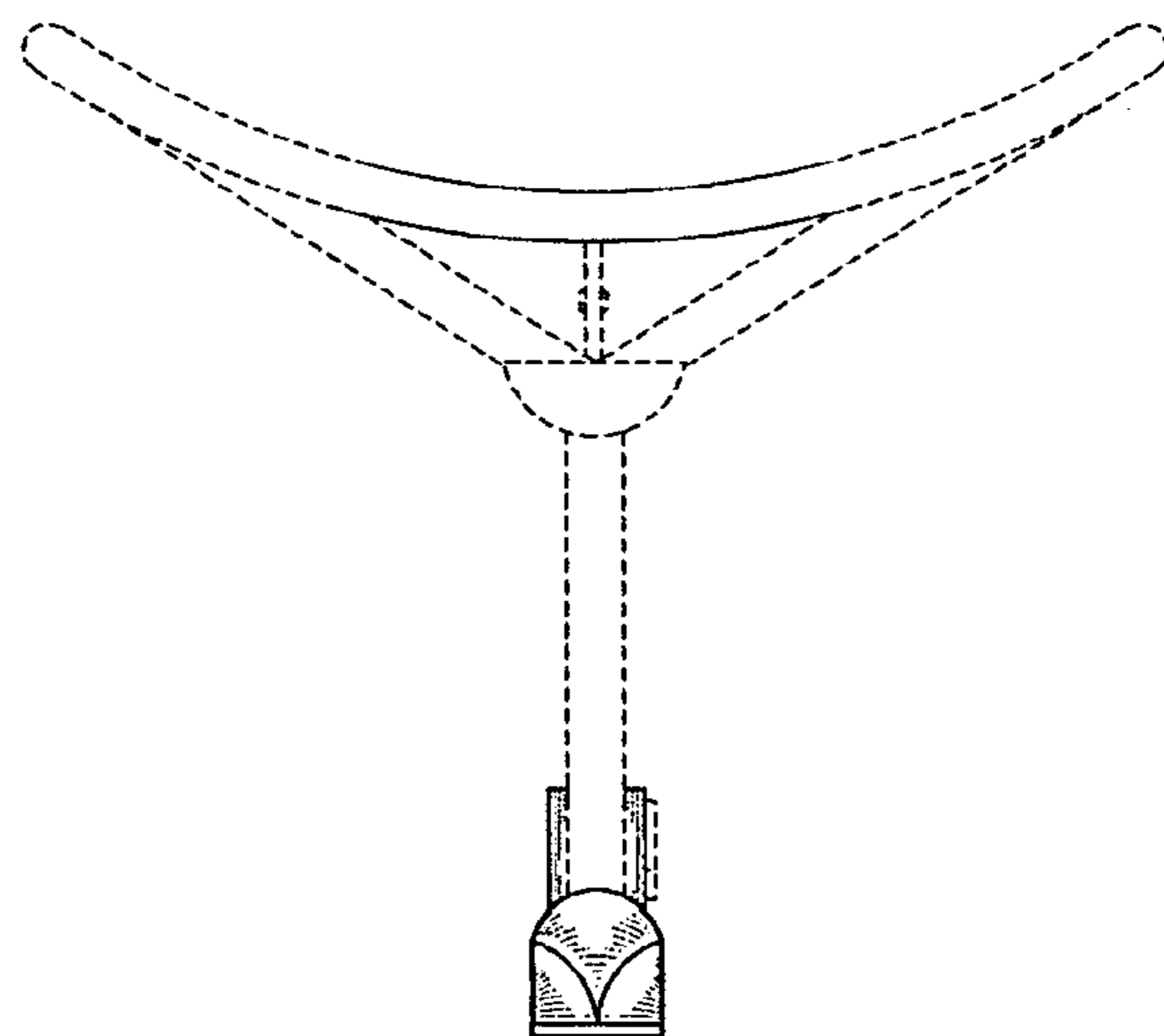
**FIG. 3**



**FIG. 4**



**FIG. 5**



**FIG. 6**