

US00D544882S

(12) **United States Design Patent**
Kurihara

(10) **Patent No.:** **US D544,882 S**
(45) **Date of Patent:** **** Jun. 19, 2007**

(54) **AUDIO DATA PLAYER**

(75) Inventor: **Daisuke Kurihara**, Tokyo (JP)

(73) Assignee: **Sony Corporation**, Tokyo (JP)

(**) Term: **14 Years**

(21) Appl. No.: **29/260,323**

(22) Filed: **May 24, 2006**

(30) **Foreign Application Priority Data**

Mar. 1, 2006 (JP) D2006-005022

(51) **LOC (8) Cl.** **14-03**

(52) **U.S. Cl.** **D14/496**

(58) **Field of Classification Search** D14/496,
D14/401, 435, 474, 483, 217, 137, 138, 160,
D14/168; 345/156, 169, 173-179, 905; 715/727-729,
715/864; 455/11.1, 773, 344-347, 93, 95;
370/342-344; 369/1, 2, 6, 12; 463/43-47;
273/148 B

See application file for complete search history.

(56) **References Cited**

U.S. PATENT DOCUMENTS

D427,177 S * 6/2000 Yamazaki D14/192
6,122,526 A * 9/2000 Parulski et al. 455/556.1
D441,735 S * 5/2001 Katayama D14/156
D452,250 S 12/2001 Chan

6,671,567 B1 * 12/2003 Dwyer et al. 700/94
D486,813 S 2/2004 Chun
D488,483 S * 4/2004 Hu D14/496
D489,052 S 4/2004 Shiraki et al.
D489,731 S * 5/2004 Huang D14/496
D494,562 S * 8/2004 Lee D14/156
6,791,907 B2 * 9/2004 Berhan 369/7
D502,165 S * 2/2005 Ching D14/156
D509,834 S 9/2005 Kataoka
D515,441 S 2/2006 Shindo
D516,083 S 2/2006 Kataoka

* cited by examiner

Primary Examiner—Prabhakar Deshmukh

(74) *Attorney, Agent, or Firm*—Rader, Fishman & Grauer
PLLC

(57) **CLAIM**

The ornamental design for an audio data player, as shown.

DESCRIPTION

FIG. 1 is a perspective view of an audio data player showing
my new design;

FIG. 2 is a front elevational view thereof;

FIG. 3 is a rear elevational view thereof;

FIG. 4 is a left side elevational view thereof;

FIG. 5 is a right side elevational view thereof;

FIG. 6 is a top plan view thereof; and,

FIG. 7 is a bottom plan view thereof.

1 Claim, 7 Drawing Sheets

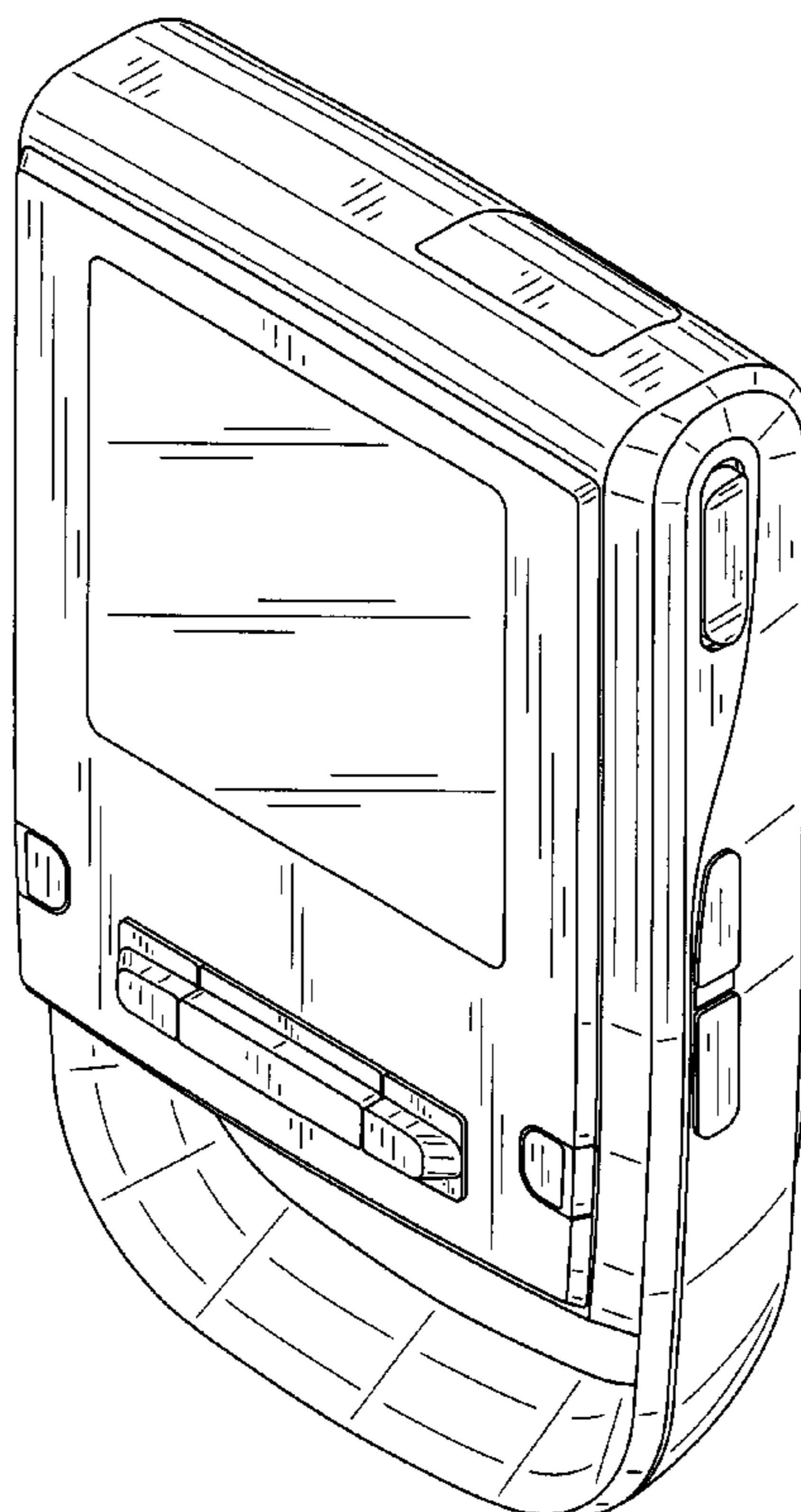


Fig. 1

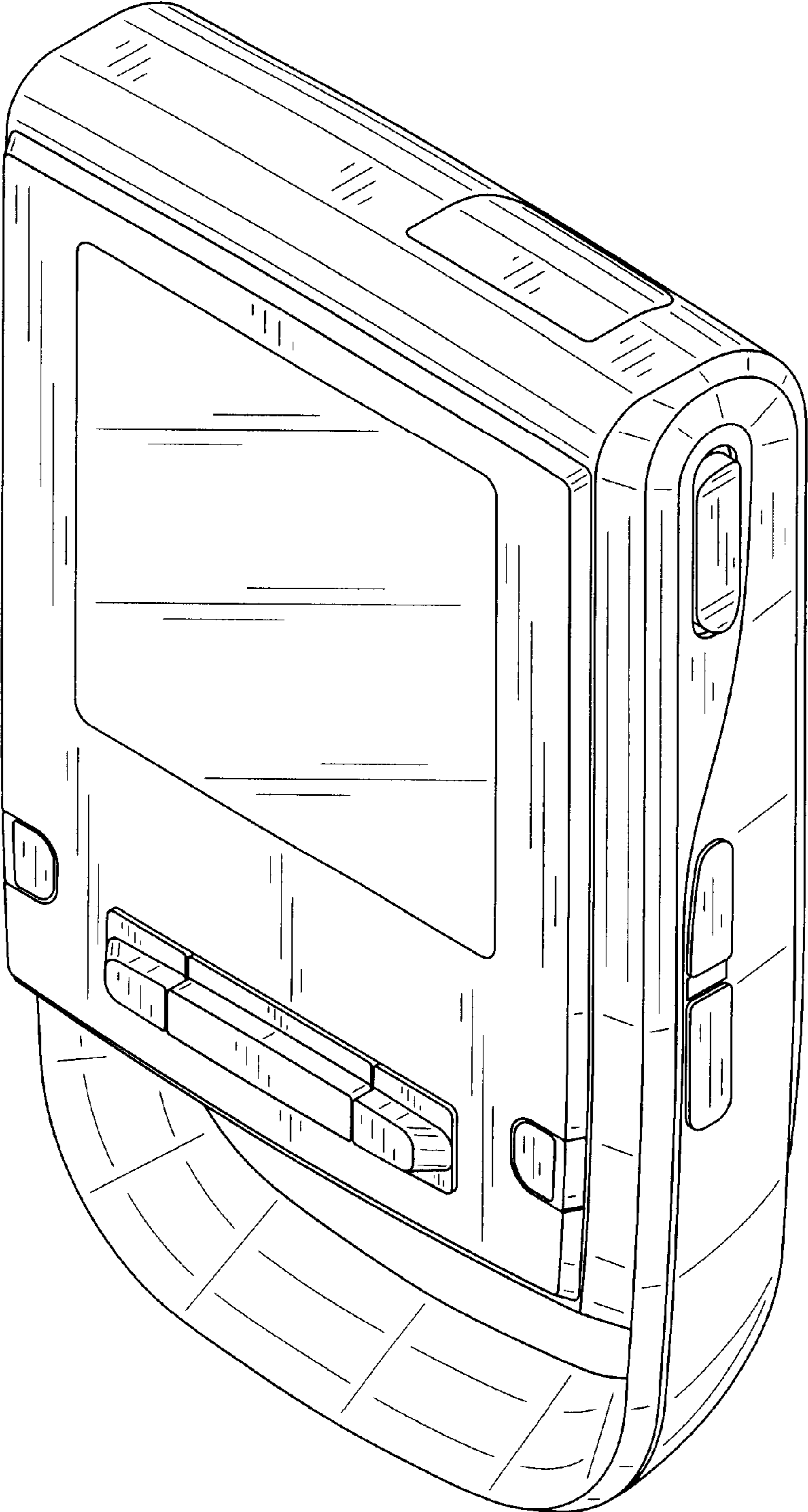


Fig.2

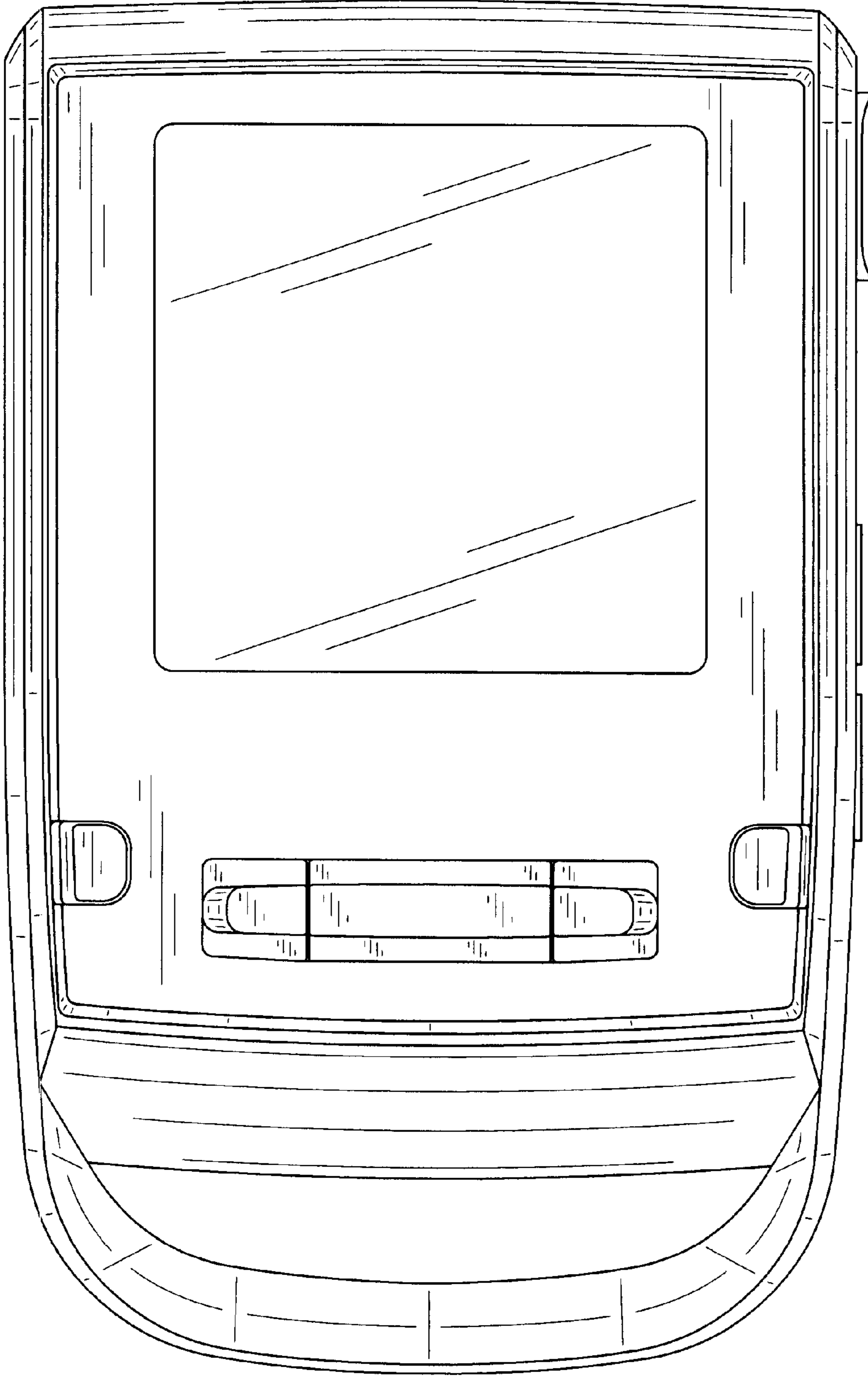


Fig.3

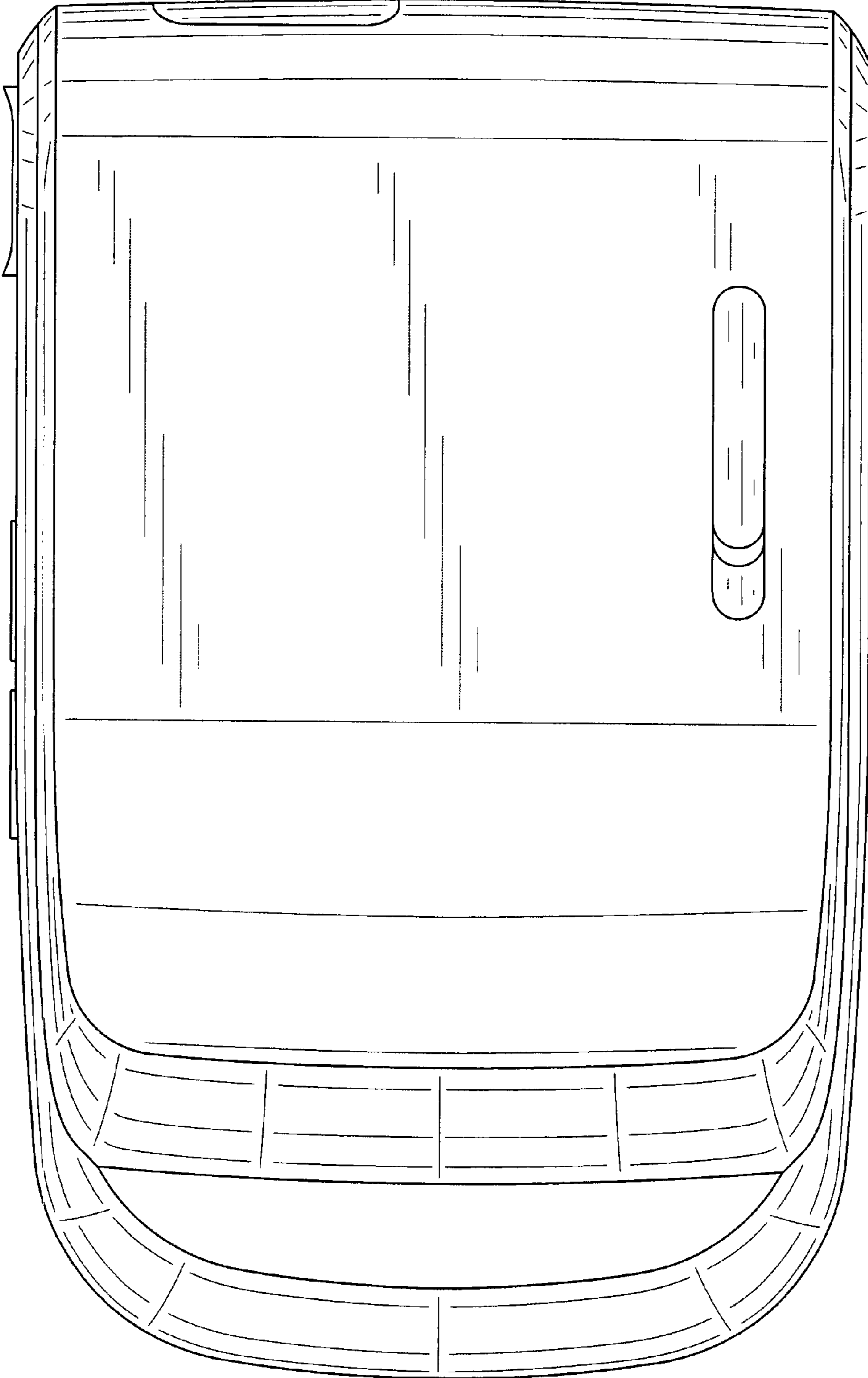


Fig.4

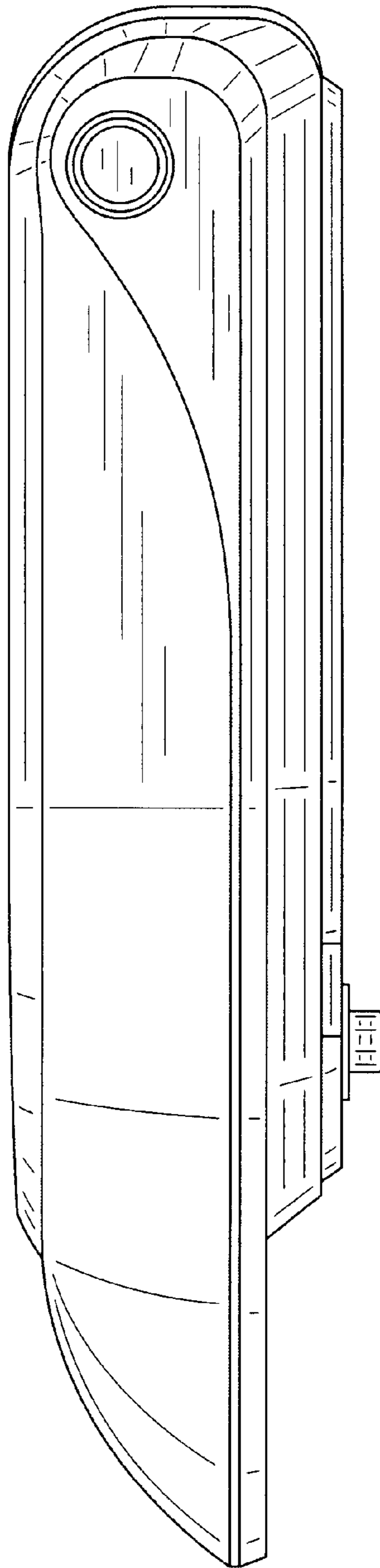


Fig.5

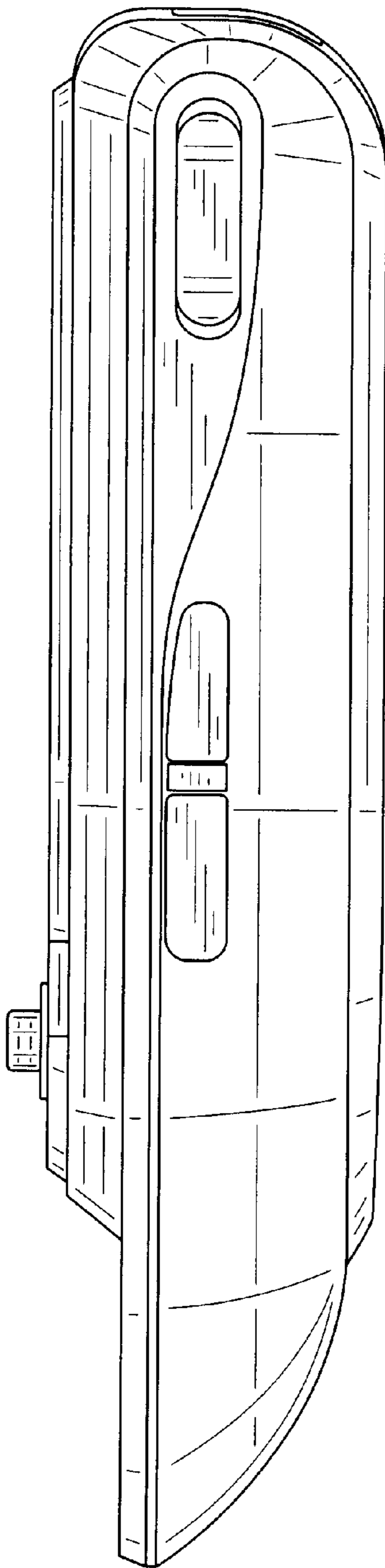


Fig.6

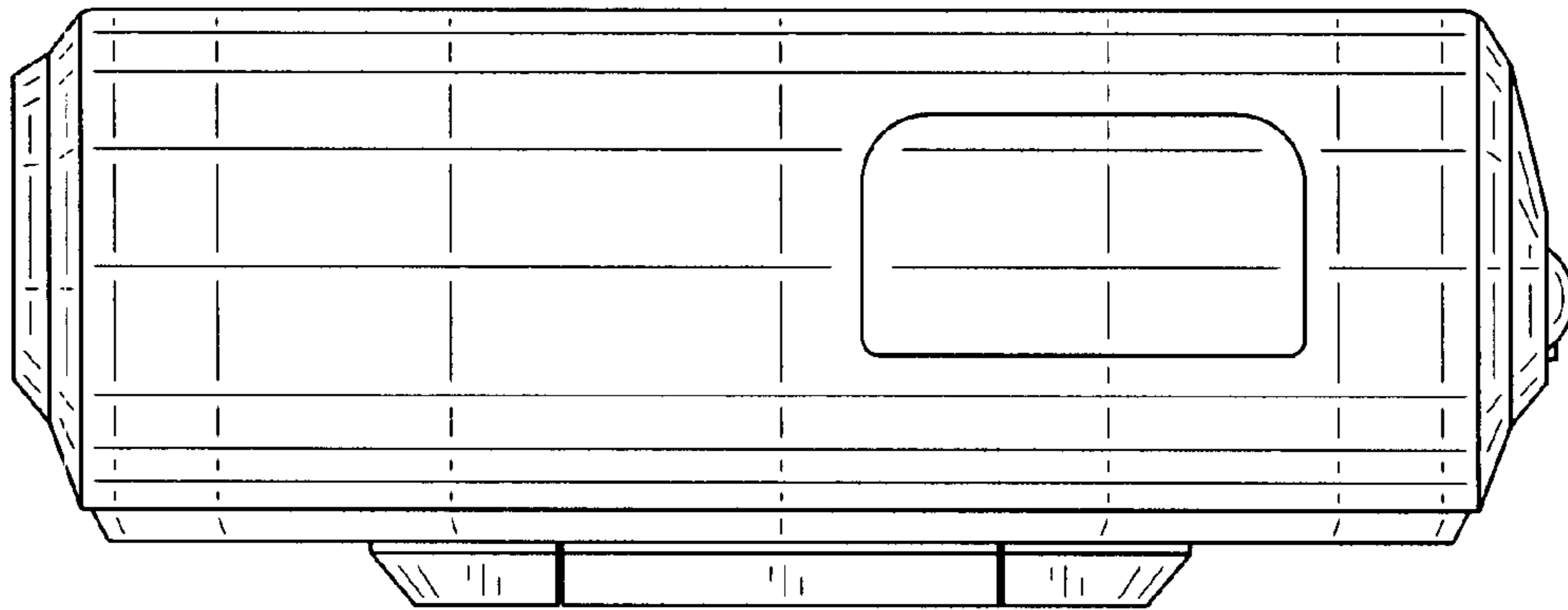


Fig.7

