

US00D544869S

(12) **United States Design Patent**
Kang et al.

(10) **Patent No.:** **US D544,869 S**
(45) **Date of Patent:** **** Jun. 19, 2007**

(54) **FACSIMILE MACHINE**

(75) Inventors: **Joon-Seok Kang**, Seoul (KR);
Kyung-Mook Kim, Seoul (KR);
Bong-Uk Lim, Seoul (KR)

(73) Assignee: **Samsung Electronics Co., Ltd.**,
Kyunggi-do (KR)

(**) Term: **14 Years**

(21) Appl. No.: **29/260,778**

(22) Filed: **May 31, 2006**

(51) **LOC (8) Cl.** **09-01**

(52) **U.S. Cl.** **D14/462**

(58) **Field of Classification Search** D14/462-471;
D18/36-41; 358/400-404
See application file for complete search history.

(56) **References Cited**

U.S. PATENT DOCUMENTS

D364,613 S	11/1995	Lim	
D376,794 S	12/1996	Lim	
D434,045 S *	11/2000	Nakamura D14/466
D471,202 S *	3/2003	Shimamura D14/460
D491,576 S *	6/2004	Yamaguchi D14/468
D504,697 S *	5/2005	Hattori D14/468

D508,056 S *	8/2005	Ishigami et al. D14/468
D517,564 S *	3/2006	Katayama et al. D14/468
D518,485 S *	4/2006	Yamaguchi D14/467

* cited by examiner

Primary Examiner—Stella Reid
Assistant Examiner—Keli L. Acker

(74) *Attorney, Agent, or Firm*—Flynn, Thiel, Boutell &
Tanis, P.C.

(57) **CLAIM**

The ornamental design for a facsimile machine, as shown and described.

DESCRIPTION

FIG. 1 is a top front perspective view of a facsimile machine showing our new design;

FIG. 2 is a front elevational view thereof;

FIG. 3 is a rear elevational view thereof;

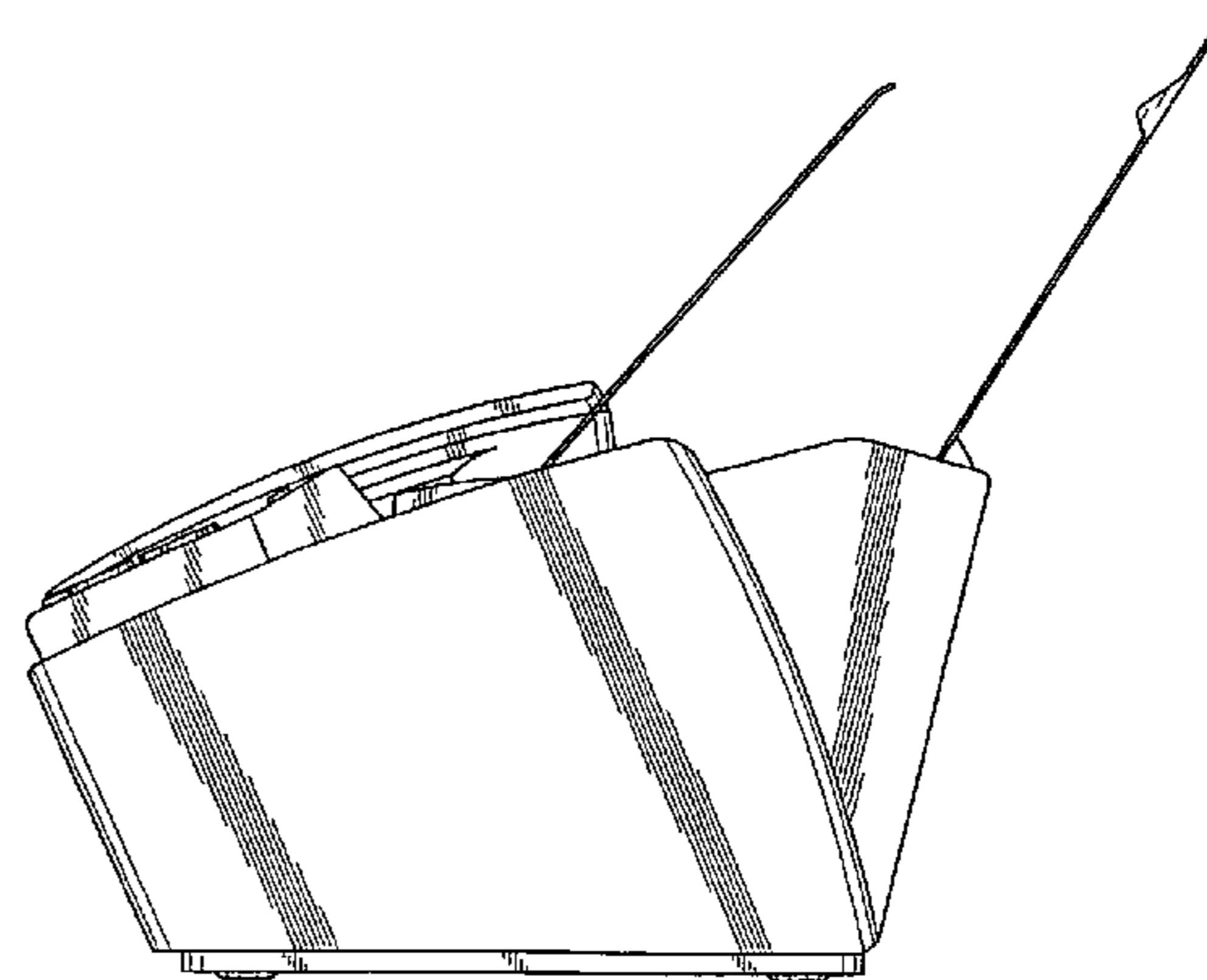
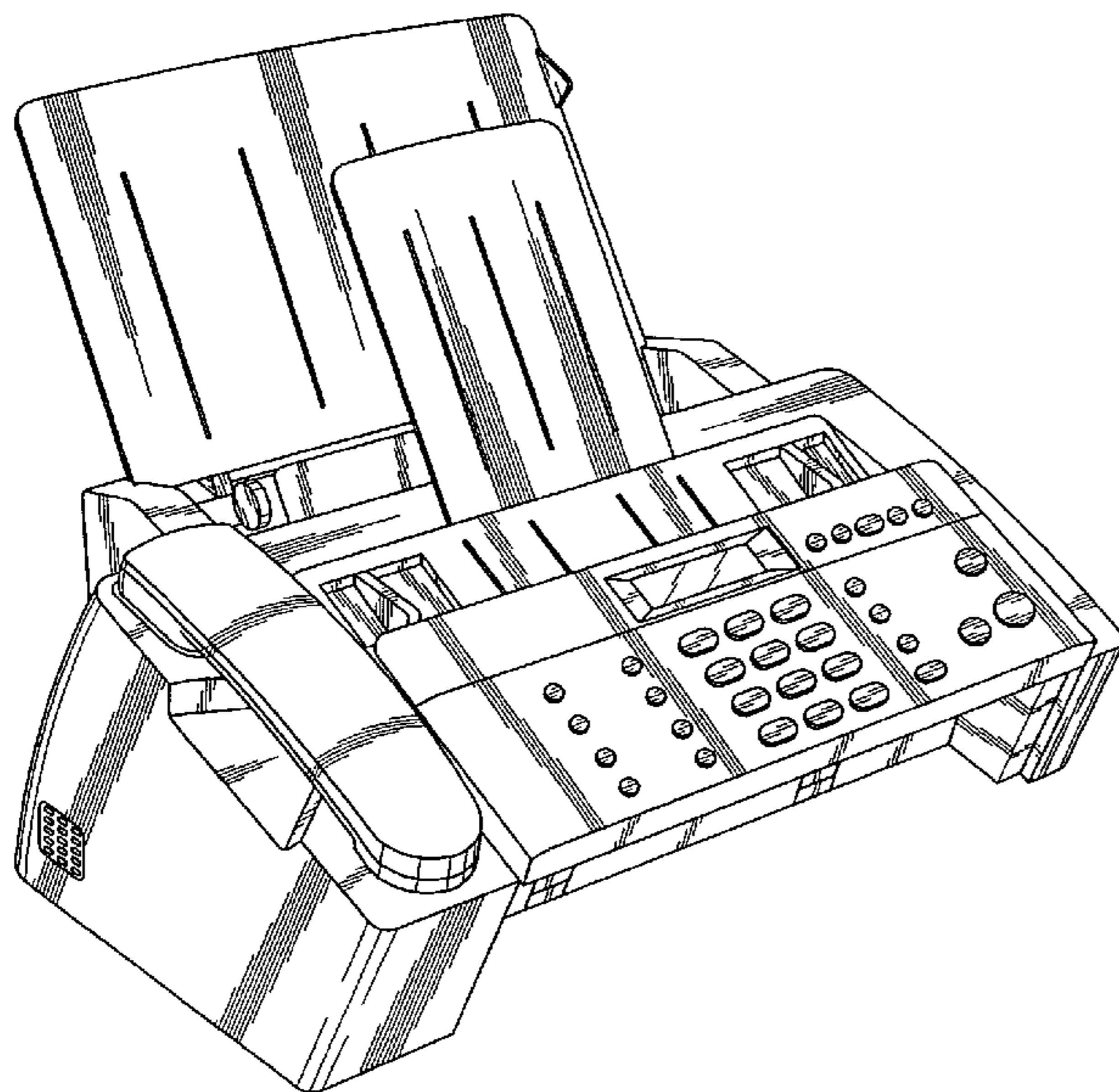
FIG. 4 is a left side elevational view thereof;

FIG. 5 is a right side elevational view thereof;

FIG. 6 is a top plan view thereof; and,

FIG. 7 is a bottom plan view thereof.

1 Claim, 4 Drawing Sheets



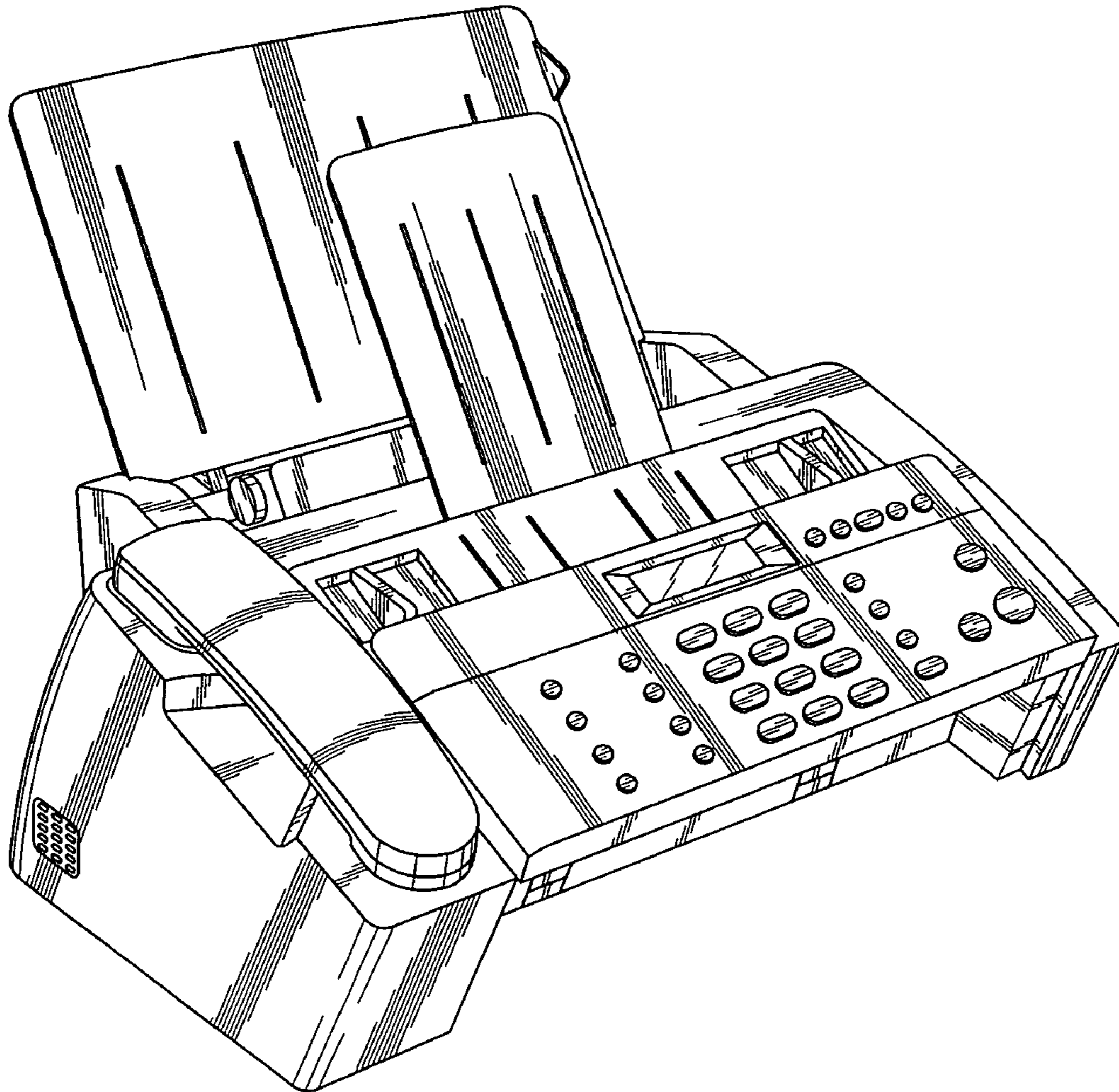


FIG. 1

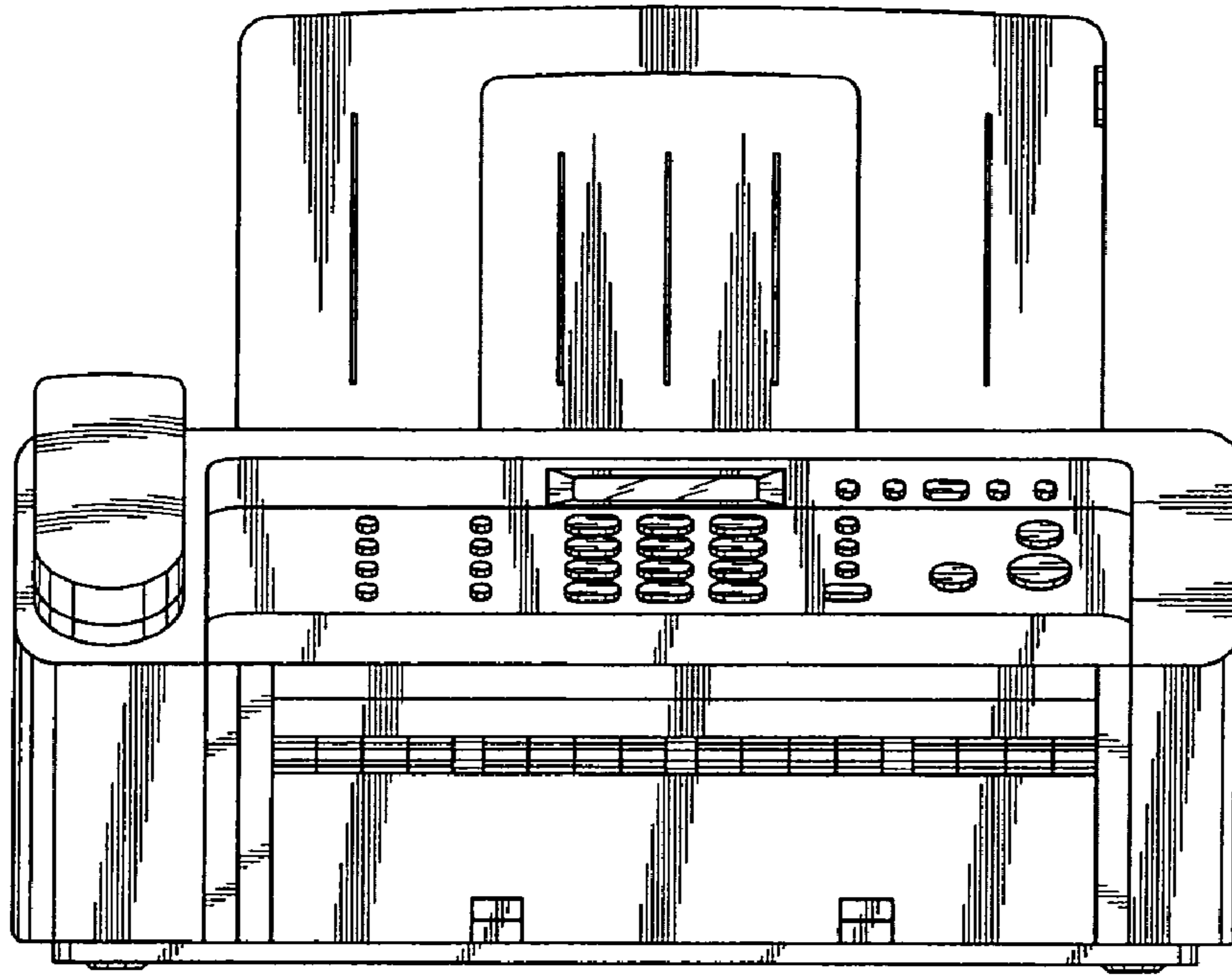


FIG. 2

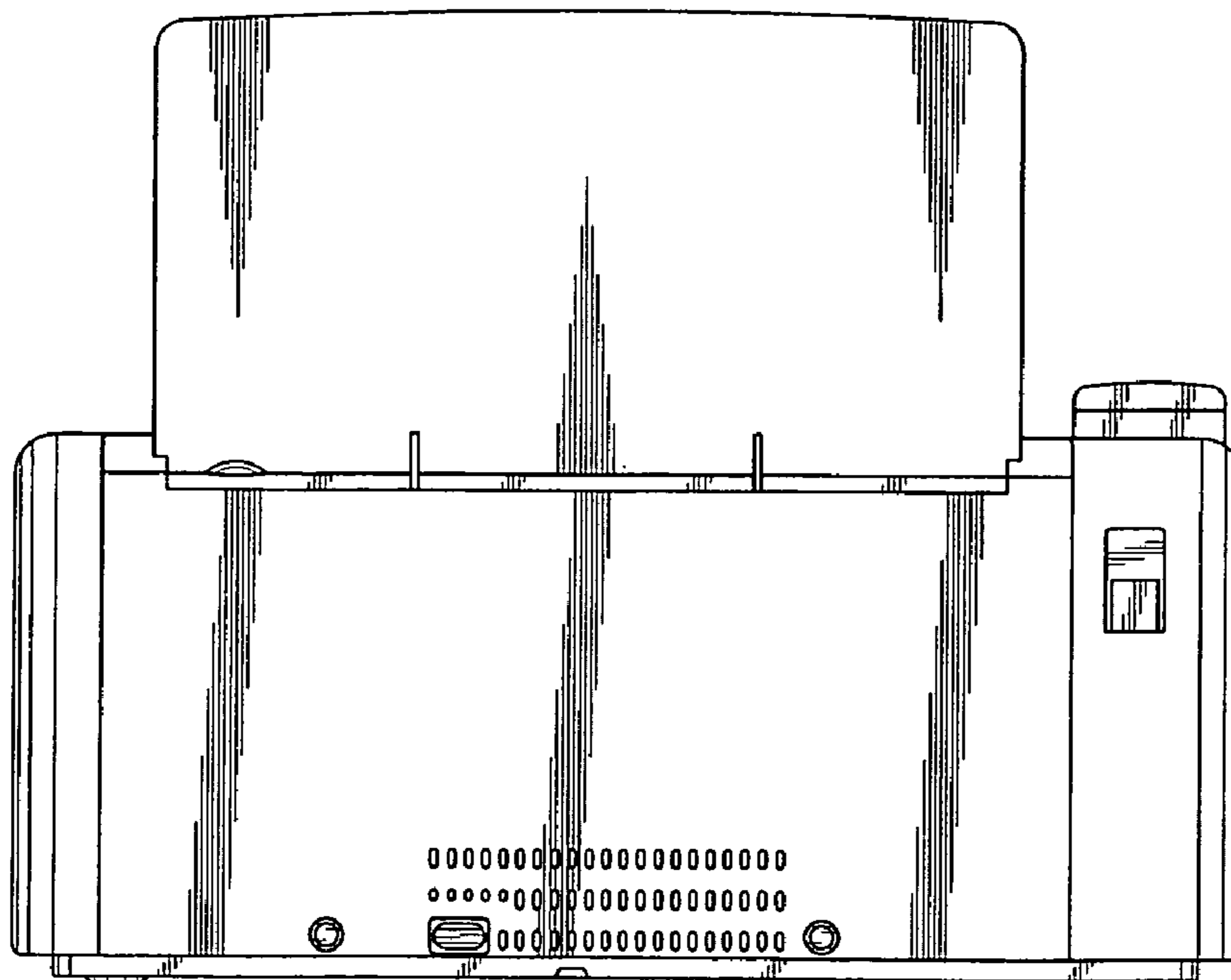


FIG. 3

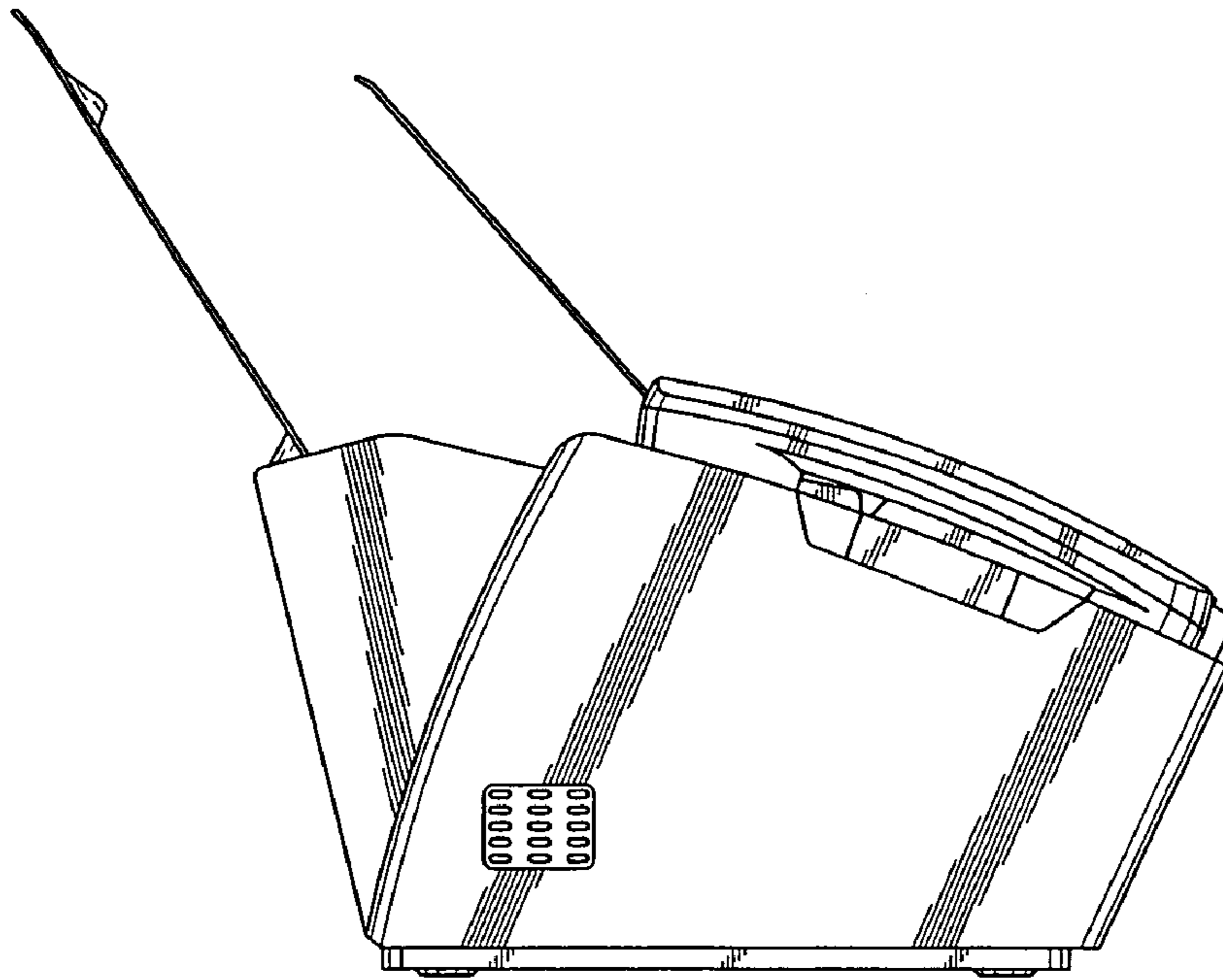


FIG. 4

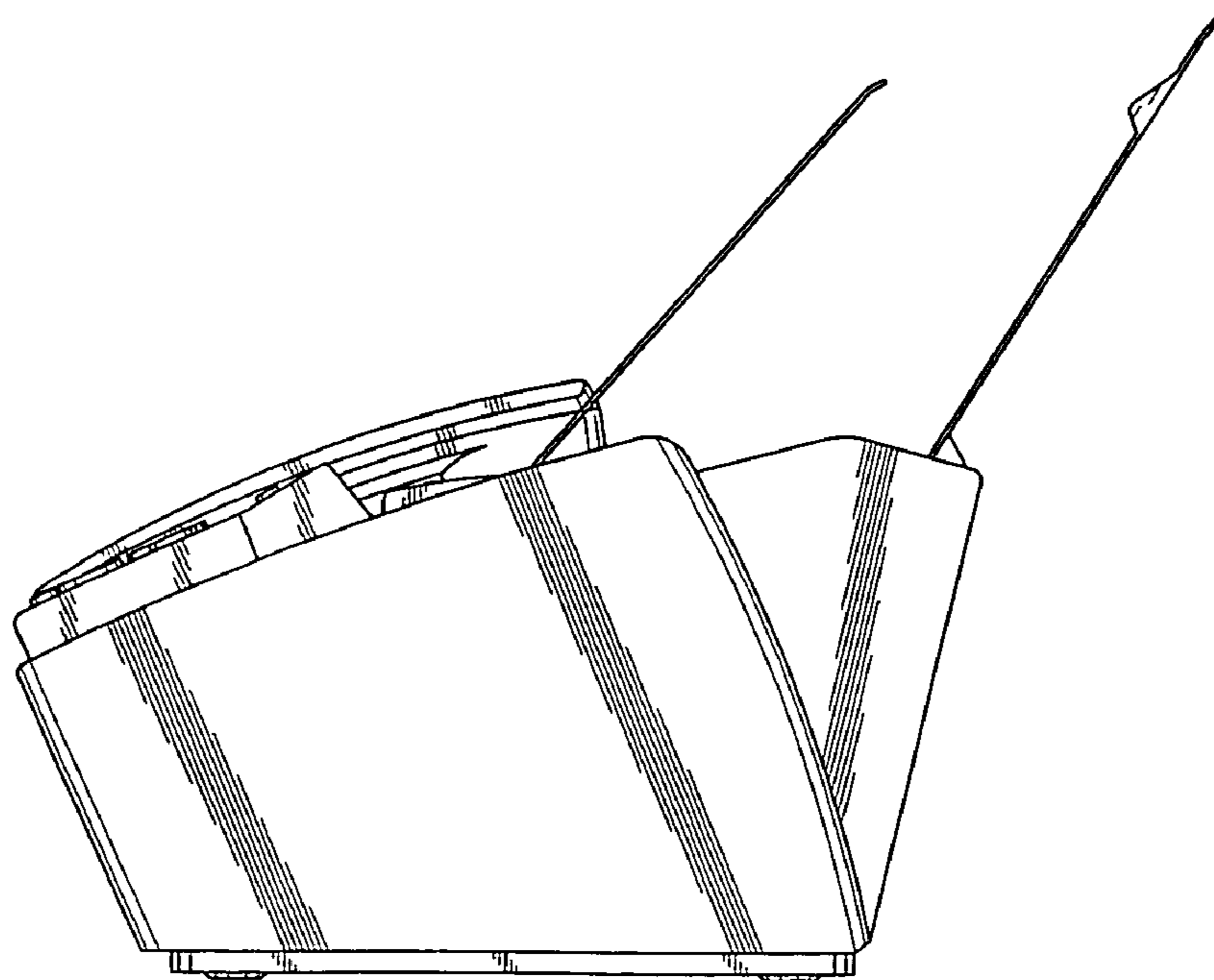


FIG. 5

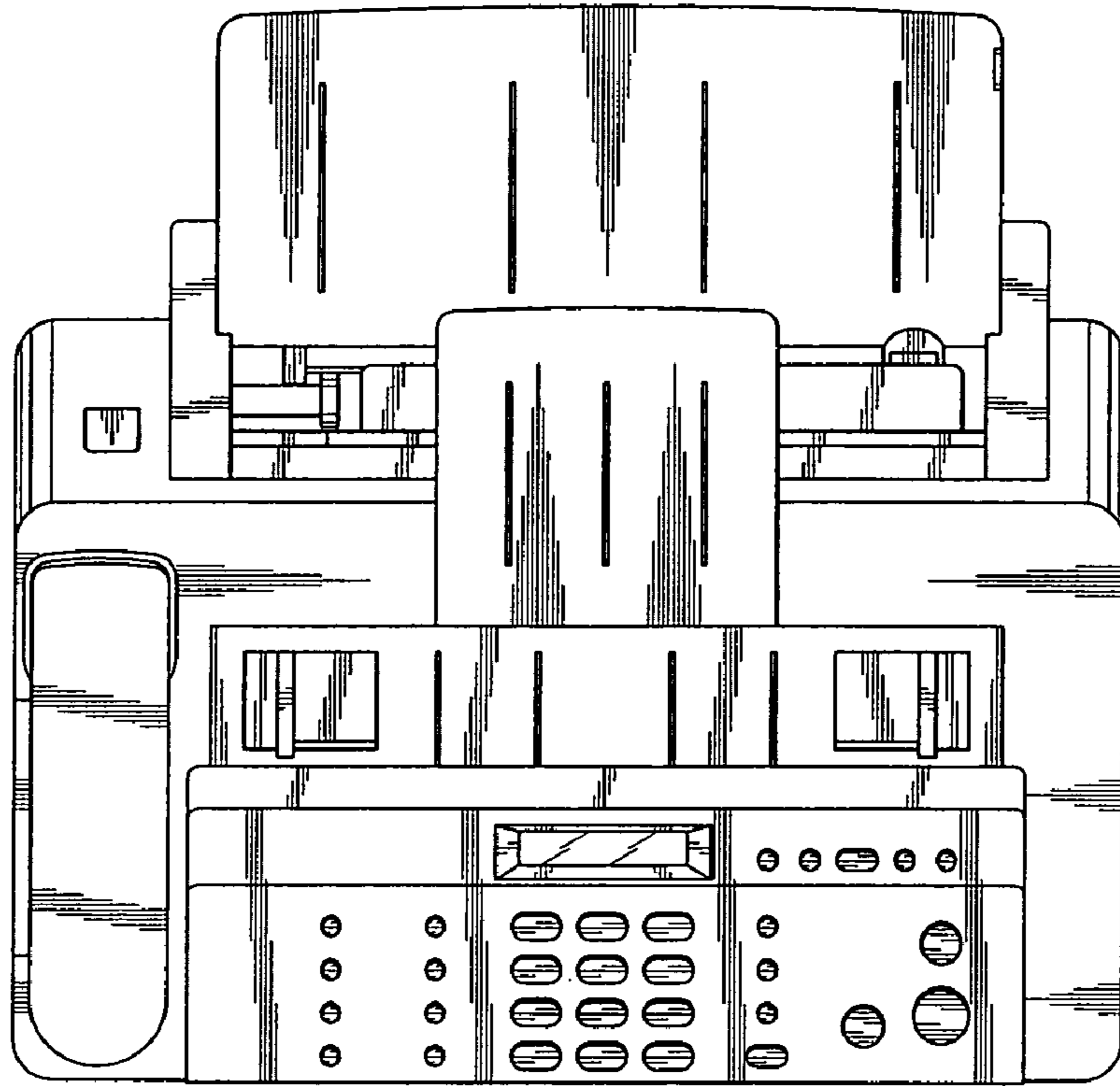


FIG. 6

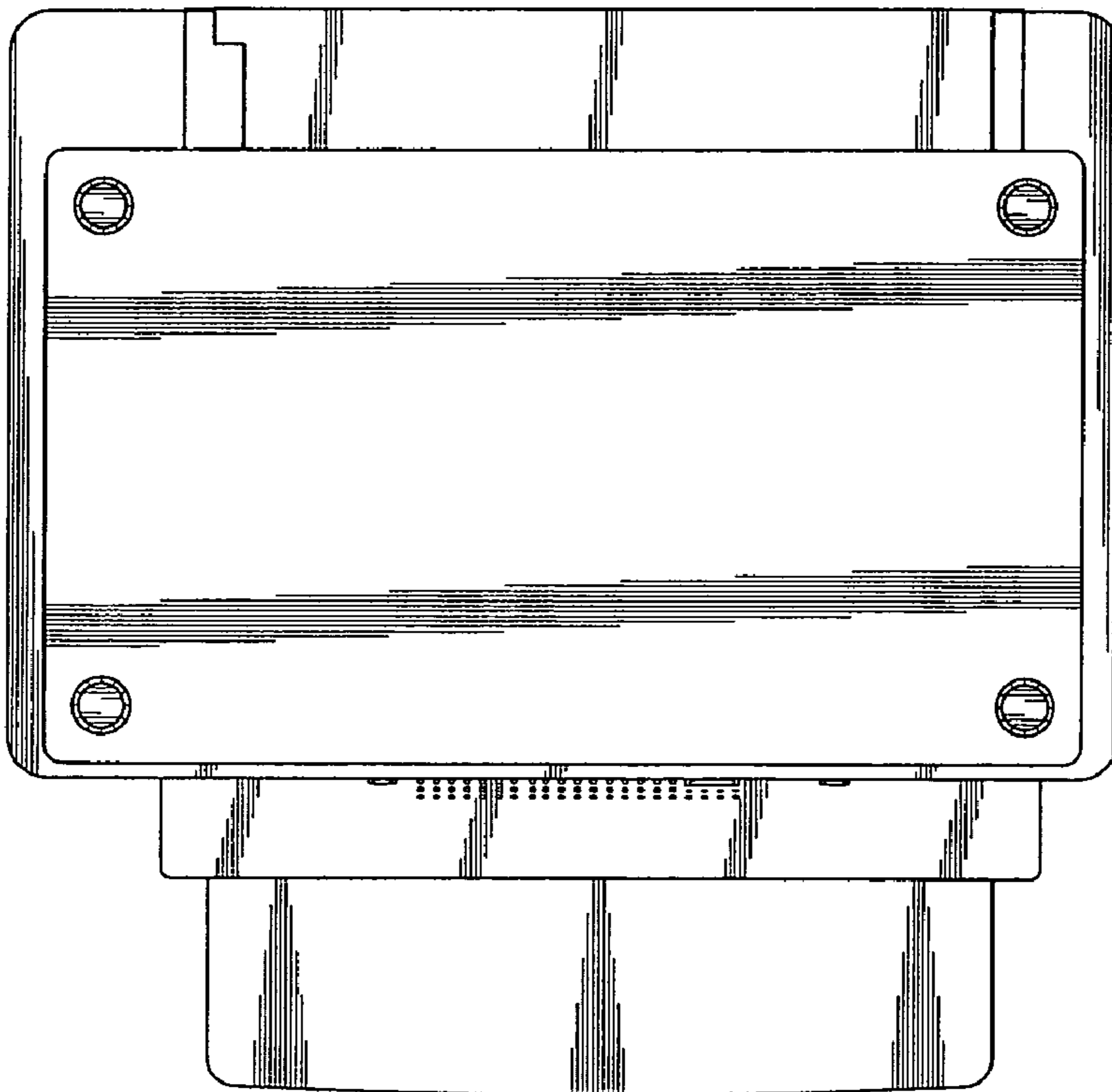


FIG. 7