

US00D544866S

(12) **United States Design Patent**  
**Wang et al.**

(10) **Patent No.: US D544,866 S**  
(45) **Date of Patent: \*\* Jun. 19, 2007**

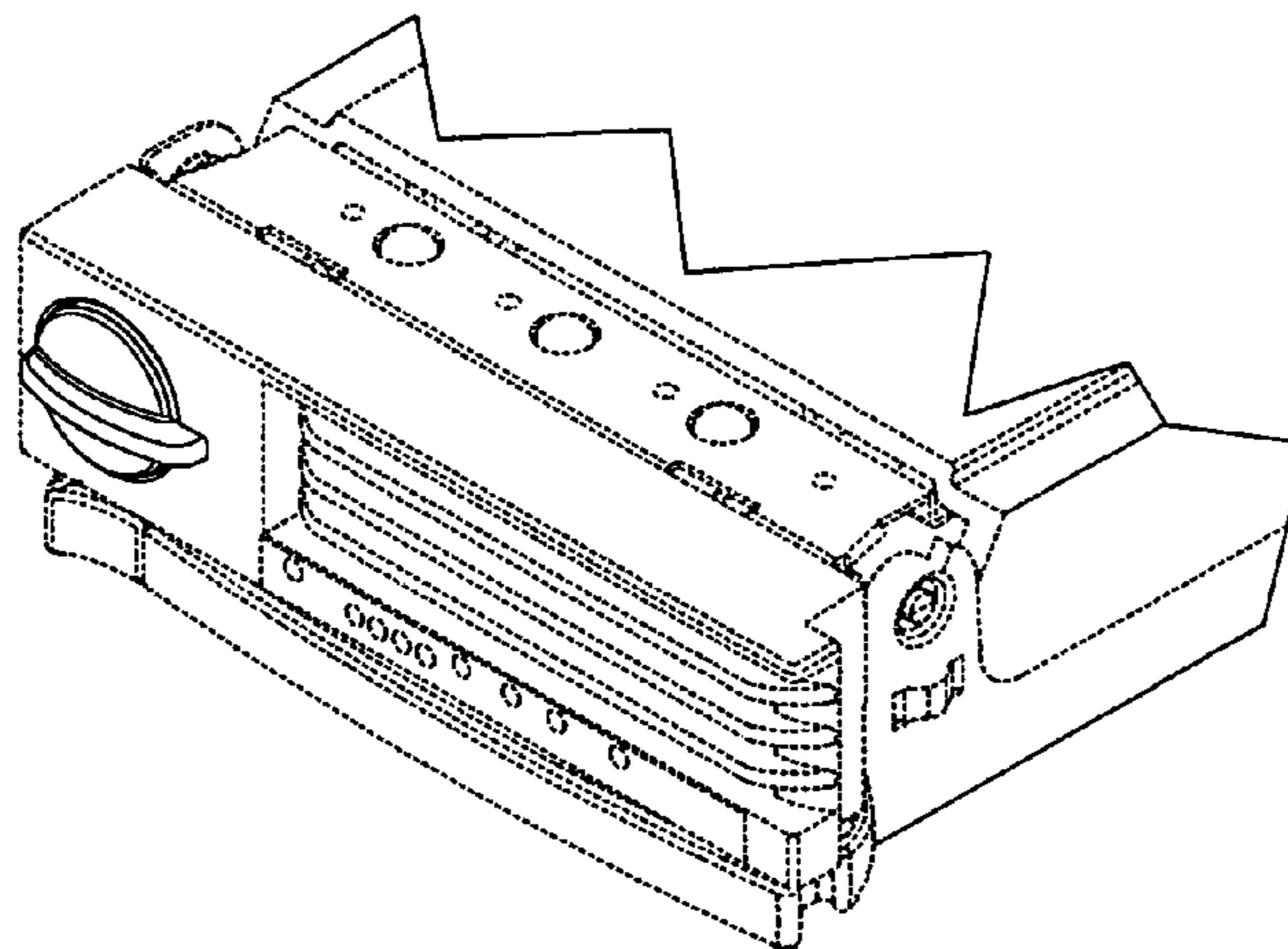
- (54) **FRONT SECURITY KNOB FOR A COMPUTER MEMORY MODULE**
- (75) Inventors: **Qiang Wang**, Cypress, TX (US); **Minh H. Nguyen**, Katy, TX (US); **Alan B. Doerr**, Magnolia, TX (US)
- (73) Assignee: **Hewlett-Packard Development Company, L.P.**, Houston, TX (US)
- (\*\*) Term: **14 Years**
- (21) Appl. No.: **29/235,639**
- (22) Filed: **Aug. 3, 2005**
- (51) **LOC (8) Cl. .... 14-02**
- (52) **U.S. Cl. .... D14/438**
- (58) **Field of Classification Search** ..... 116/319–20, 116/302, 315, 311–12, 335–36, 309; D14/435, D14/438, 439, 194, 196, 198, 162, 168; D8/343, D8/341, 306, 307, 310, 311, 300, 337, 338; D32/3, 28, 22, 32; 24/580.1, DIG. 54; 312/223.2; D10/40, 42, 43, 45, 49, 50, 53, 60; D7/328–30, D7/405; 403/276; 74/553, 10.2; 16/441  
See application file for complete search history.

(56) **References Cited**

U.S. PATENT DOCUMENTS

D99,243 S \* 4/1936 Lapteff ..... D8/311  
D110,878 S \* 8/1938 Ray ..... D10/50  
D132,433 S \* 5/1942 Pellegrin ..... D8/311  
2,420,985 A \* 5/1947 Simpson ..... 74/553  
D149,651 S \* 5/1948 Kerr et al. .... D8/311  
D152,928 S \* 3/1949 Stuman ..... D8/311  
D160,170 S \* 9/1950 Haney ..... D10/40  
D173,100 S \* 9/1954 Cahn et al. .... D10/40  
D181,800 S \* 12/1957 Lipton ..... D8/311  
2,815,230 A \* 12/1957 Howie ..... 403/276  
D192,958 S \* 6/1962 Benson ..... D8/306  
D196,713 S \* 10/1963 Ahlgren ..... D8/341  
D202,062 S \* 8/1965 Yamasaki ..... D7/360  
D207,489 S \* 4/1967 Collins ..... D8/311  
D208,918 S \* 10/1967 Dole ..... D8/311  
D208,999 S \* 10/1967 Staiger ..... D10/40

3,534,706 A \* 10/1970 Crispell ..... 116/320  
D221,060 S \* 7/1971 Townsend ..... D8/341  
D234,211 S \* 1/1975 Stubbmann ..... D21/390  
D242,840 S \* 12/1976 Schmidt ..... D8/338  
4,208,143 A \* 6/1980 Nored ..... 401/98  
D266,247 S \* 9/1982 van de Ven ..... D14/196  
D267,073 S \* 11/1982 Lefevre ..... D7/393  
D279,173 S \* 6/1985 Ketcham ..... D10/40  
D300,798 S \* 4/1989 Tow ..... D7/330  
D308,671 S 6/1990 Aderman et al.  
4,941,841 A 7/1990 Darden et al.  
D338,662 S 8/1993 Sharp  
D348,051 S 6/1994 Noble  
D352,887 S \* 11/1994 Schlack ..... D8/343  
D362,433 S 9/1995 Chen  
D363,484 S \* 10/1995 Klitsner et al. .... D14/196  
D369,938 S \* 5/1996 Figur ..... D7/330  
D377,853 S \* 2/1997 Sparks ..... D32/3  
D379,899 S \* 6/1997 Barthelemy et al. .... D7/330  
D393,333 S \* 4/1998 Kibler et al. .... D32/3  
D396,235 S \* 7/1998 Tate et al. .... D14/240  
D398,913 S \* 9/1998 Tseng ..... D14/435  
D399,193 S 10/1998 Chang  
D401,569 S 11/1998 Massaro  
D409,592 S 5/1999 Prestigomo  
D409,593 S 5/1999 Prestigomo  
D410,451 S \* 6/1999 Konshak et al. .... D14/367  
D410,912 S 6/1999 Bloch et al.  
5,931,150 A \* 8/1999 Bowen et al. .... 126/42  
6,000,769 A 12/1999 Chen  
D419,147 S 1/2000 Tanzer et al.  
6,052,278 A 4/2000 Tanzer et al.  
6,057,533 A \* 5/2000 Ahn ..... 219/719  
6,061,232 A \* 5/2000 Ho ..... 361/685  
D428,014 S 7/2000 Bostedt et al.  
6,088,221 A 7/2000 Bologna  
D431,245 S 9/2000 Searby et al.  
D434,395 S 11/2000 Mazzetti et al.  
6,154,361 A 11/2000 Anderson et al.  
6,193,339 B1 \* 2/2001 Behl et al. .... 312/223.2  
6,222,727 B1 \* 4/2001 Wu ..... 361/685  
D442,151 S 5/2001 Mazzetti et al.  
D443,496 S \* 6/2001 DeCosse ..... D8/300  
D444,049 S \* 6/2001 Decosse ..... D8/311  
6,247,944 B1 6/2001 Bologna et al.  
D445,017 S \* 7/2001 Kronemeyer et al. .... D8/337  
D445,629 S \* 7/2001 Davis et al. .... D7/330  
D447,483 S 9/2001 Wu  
6,302,714 B1 10/2001 Bologna et al.





D450,997	S	*	11/2001	Brady	.....	D8/311
D454,881	S		3/2002	Daniels et al.		
D455,152	S		4/2002	Caughlan et al.		
D455,153	S		4/2002	Gant et al.		
D455,154	S		4/2002	Daniels et al.		
D455,752	S		4/2002	Gant et al.		
D455,753	S		4/2002	Daniels et al.		
D455,754	S		4/2002	Gant et al.		
D457,416	S	*	5/2002	Caspersz	.....	D8/311
6,394,081	B1	*	5/2002	Aguirre-Esponda et al.	..	126/42
D458,924	S		6/2002	Tsuyuki et al.		
D460,457	S		7/2002	Caughlan et al.		
D461,807	S		8/2002	Kuehn et al.		
D461,816	S		8/2002	Caughlan et al.		
D462,075	S		8/2002	Hillyard et al.		
6,442,021	B1		8/2002	Bologna et al.		
D464,056	S		10/2002	Skandalis		
6,473,297	B1	*	10/2002	Behl et al.	.....	361/685
6,473,300	B1		10/2002	Youngquist et al.		
D470,007	S	*	2/2003	D'Alessio et al.	.....	D7/392.1
D470,486	S		2/2003	Cheng		
D473,197	S		4/2003	Bovell		
D474,186	S		5/2003	Frank et al.		
6,568,036	B1	*	5/2003	Howie, Jr.	.....	16/441
D476,631	S		7/2003	Frank et al.		
D481,393	S		10/2003	Alo et al.		
D481,394	S		10/2003	Kuehn et al.		
D484,466	S	*	12/2003	Ventress et al.	.....	D13/162
6,661,651	B1		12/2003	Tanzer et al.		
D485,278	S		1/2004	Wang et al.		
6,724,621	B1	*	4/2004	Liang	.....	361/685
D491,570	S		6/2004	Fan et al.		
6,891,723	B1		5/2005	Lin et al.		
D506,201	S		6/2005	McClelland et al.		
D507,000	S		7/2005	Wang		
6,935,709	B2	*	8/2005	Powell et al.	.....	312/223.2
2003/0011979	A1		1/2003	Tanzer et al.		

OTHER PUBLICATIONS

U.S. Appl. No. 29/209,597, filed Jul. 19, 2004; Belgie B. McClelland II et al.; entitled "Computer Have A Drive Carrier".  
 U.S. Appl. No. 29/209,868, filed Jul. 21, 2004; Qiang Wang et al.; entitled "Computer Having A Drive Carrier".  
 U.S. Appl. No. 29/215,148, filed Oct. 14, 2004; Belgie B. McClelland II et al.; entitled "Computer Having A Bezel".  
 U.S. Appl. No. 29/215,774, filed Oct. 25, 2004; Belgie B. McClelland II et al.; entitled "Computer Having An External Panel".

\* cited by examiner

*Primary Examiner*—M. H. Tung  
*Assistant Examiner*—Susan Moon Lee

(57) **CLAIM**

We claim the ornamental design for a front security knob for a computer memory module, as shown and described.

**DESCRIPTION**

FIG. 1 is a partial front perspective view of a front security knob for a computer memory module showing our new

design illustrated in an intermediate position between a lock position and a release position. The module portion is shown broken away;

FIG. 2 is a front elevational view thereof, wherein the front security knob is illustrated in a lock position;

FIG. 3 is a front elevational view thereof, wherein the front security knob is illustrated in a release position;

FIG. 4 is a front elevational view thereof, wherein the front security knob is illustrated in an intermediate position between a lock position and a release position;

FIG. 5 is a top elevational view thereof, wherein the front security knob is illustrated in an intermediate position between a lock position and a release position as illustrated in FIGS. 1, 4;

FIG. 6 is a bottom elevational view thereof, wherein the front security knob is illustrated in the context of a front latching arm disposed in a latched position that is secured by a lock position as illustrated in FIG. 2;

FIG. 7 is a partial front perspective view thereof, wherein the front security knob is illustrated in the context of a front latching arm disposed in a released latch position permitted by a release position of the front security knob as illustrated in FIG. 3;

FIG. 8 is a bottom elevational view thereof, wherein the front security knob is illustrated in an intermediate position between a lock position and a release position as illustrated in FIGS. 1, 4, wherein the front security knob is illustrated in context of a front latching arm disposed in a release latch position permitted by a release position of the front security knob as illustrated in FIG. 3;

FIG. 9 is a partial front perspective view thereof, wherein the computer memory module is illustrated in context of a rack mountable computer, e.g., a server, that can be mounted in a rack computer system, wherein the front security knob is illustrated in a lock position as illustrated in FIG. 2; wherein the front latching arm is disposed in a latched position as illustrated in FIG. 6 that is secured by a lock position of the front security knob; and,

FIG. 10 is a front elevational view thereof, wherein the computer memory module is illustrated in the context of a rack mountable computer, e.g., a server, that can be mounted in a rack computer system, wherein the front security knob is illustrated in a lock position as illustrated in FIG. 2; wherein the front latching arm is disposed in a latched position as illustrated in FIG. 6 that is secured by a lock position of the front security knob.

In these drawings, the solid lines illustrate the claimed ornamental design, whereas the broken lines illustrate environmental features that form no part of the claimed ornamental design of the subject embodiment.

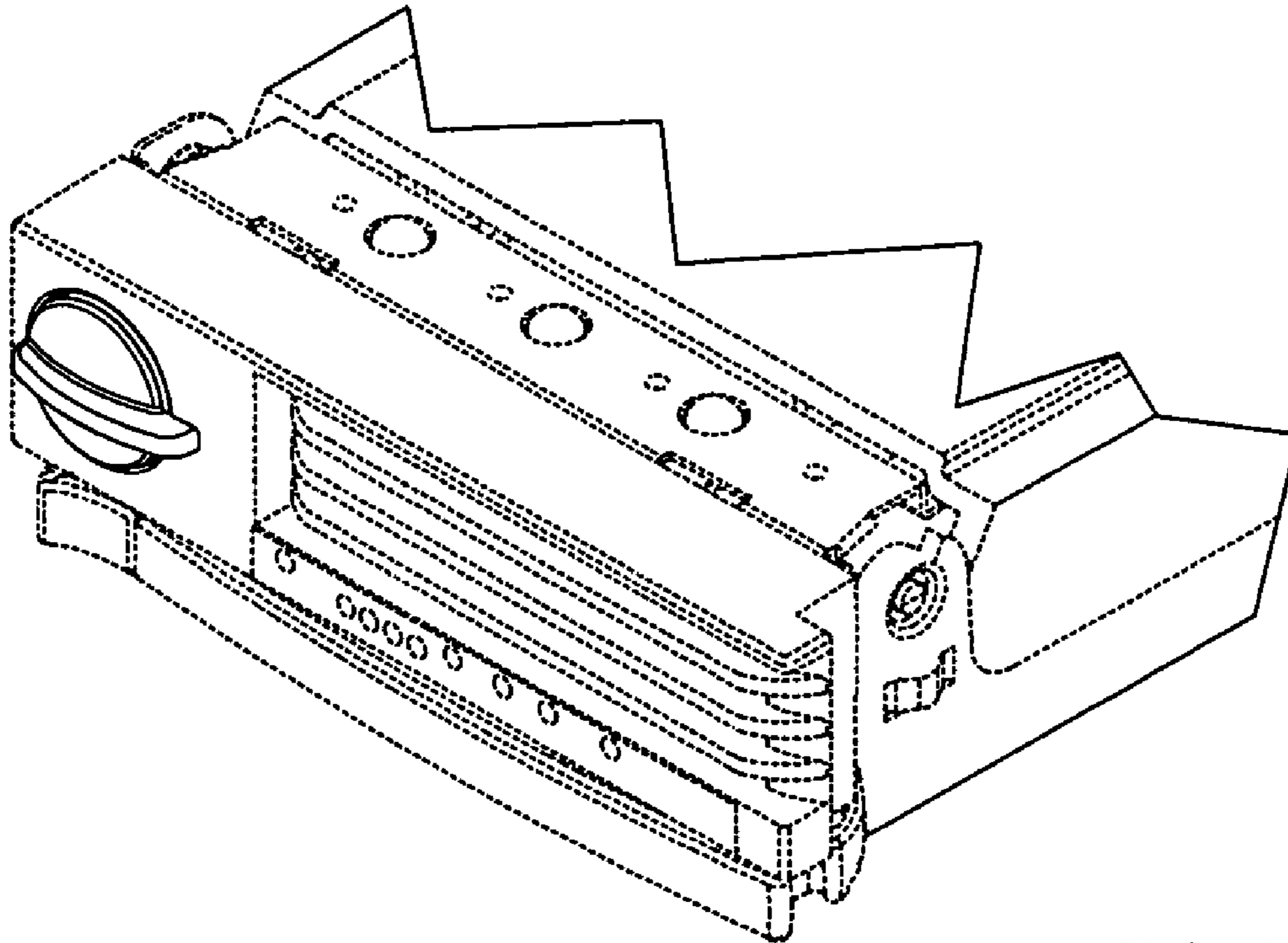


FIG. 1

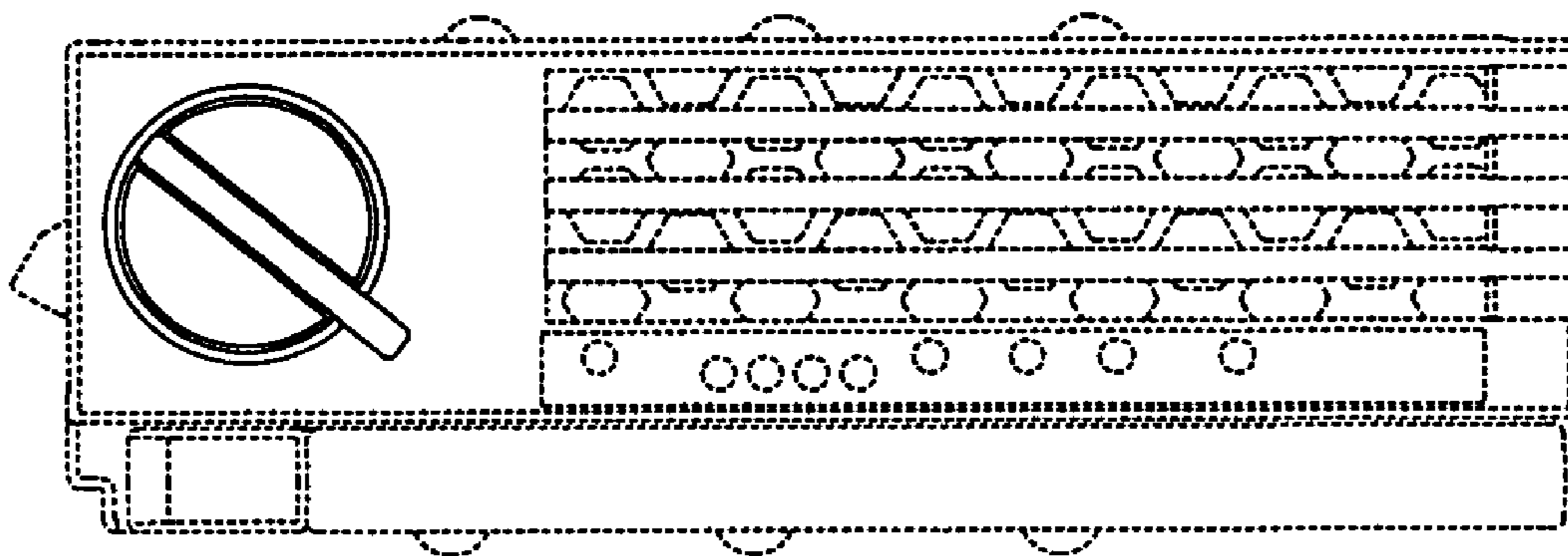


FIG. 2

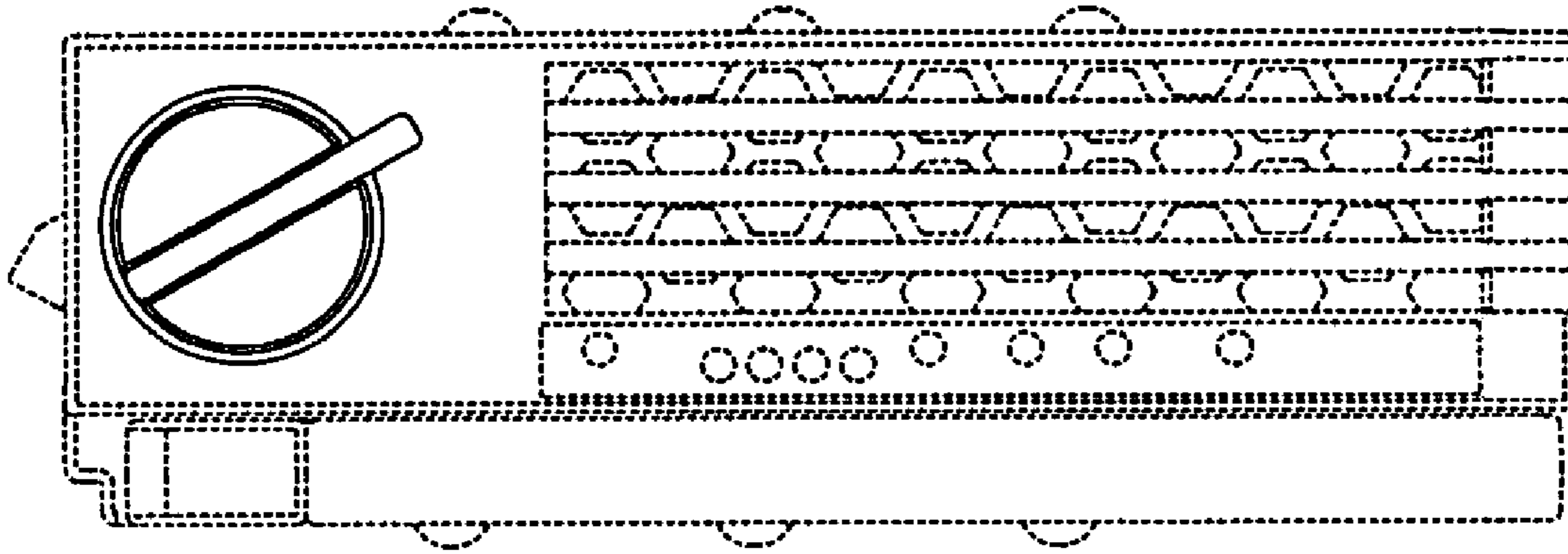


FIG.3

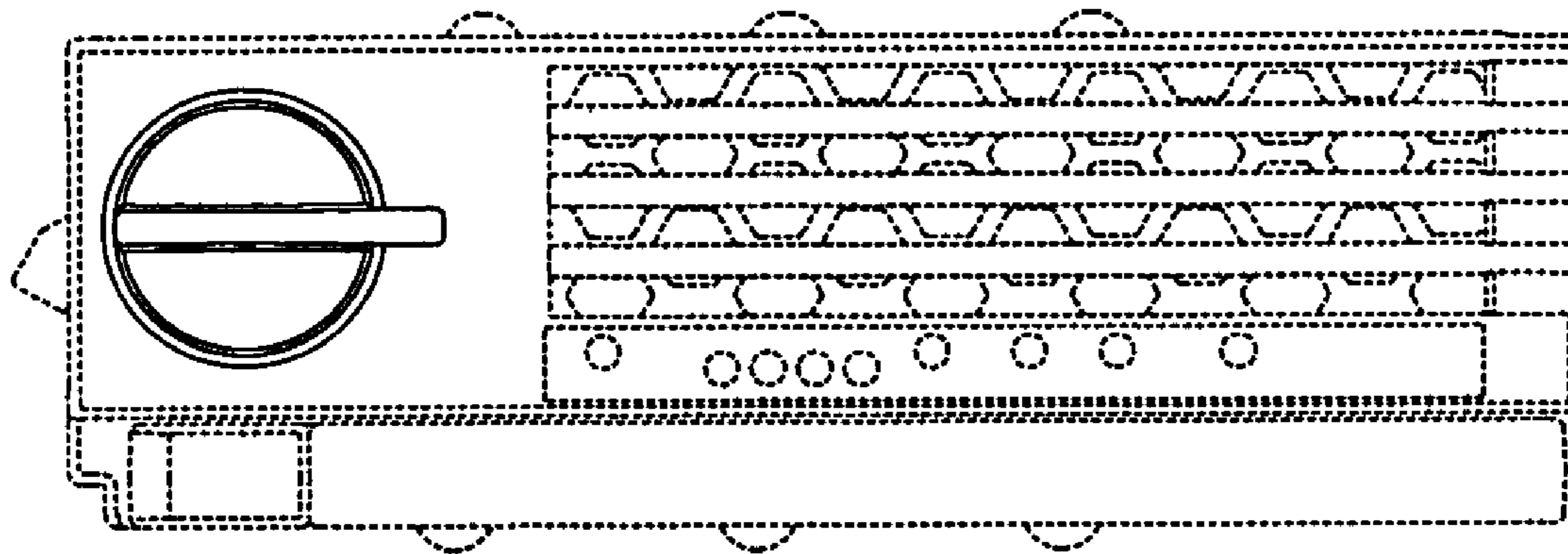


FIG.4



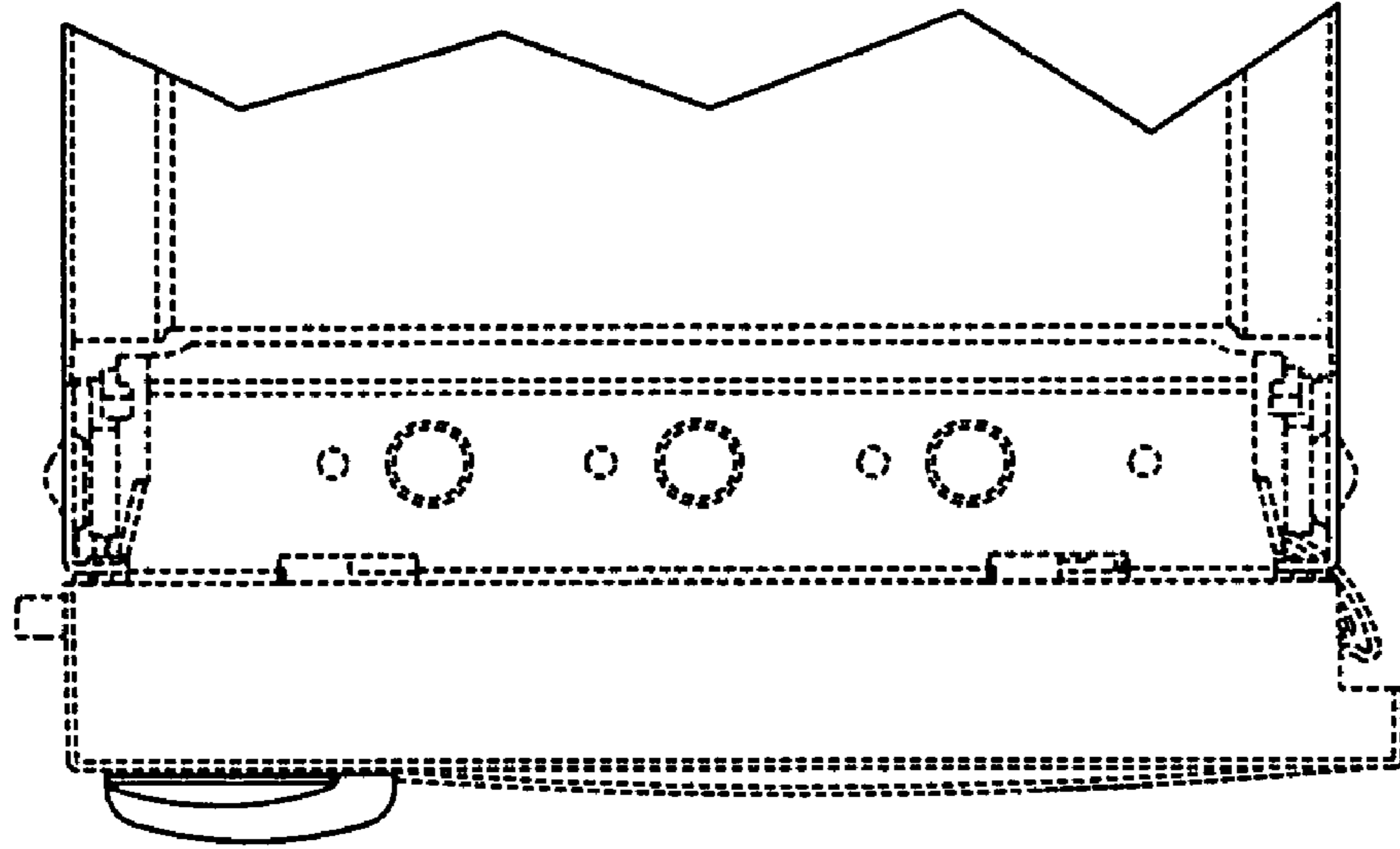


FIG.5

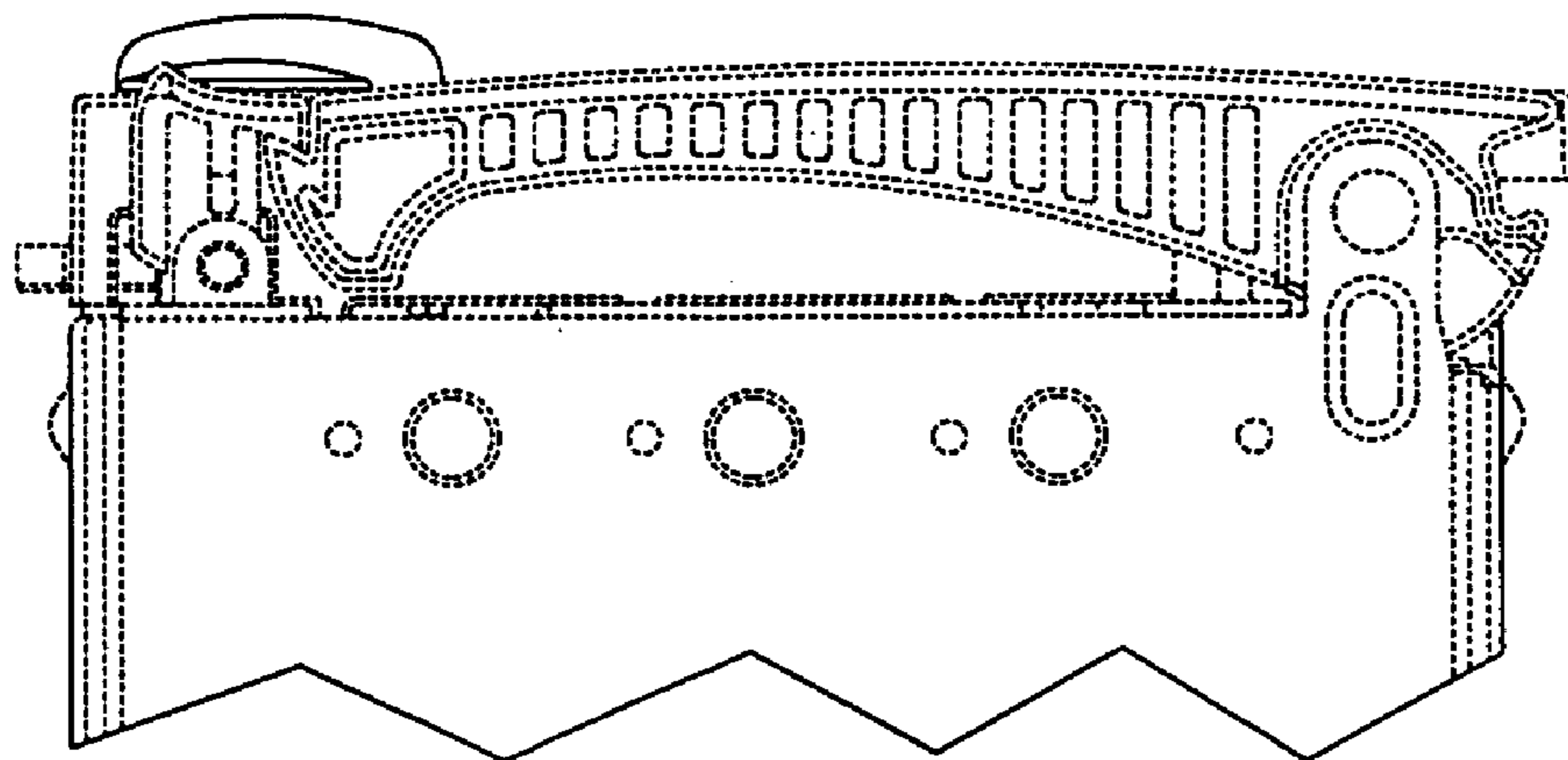
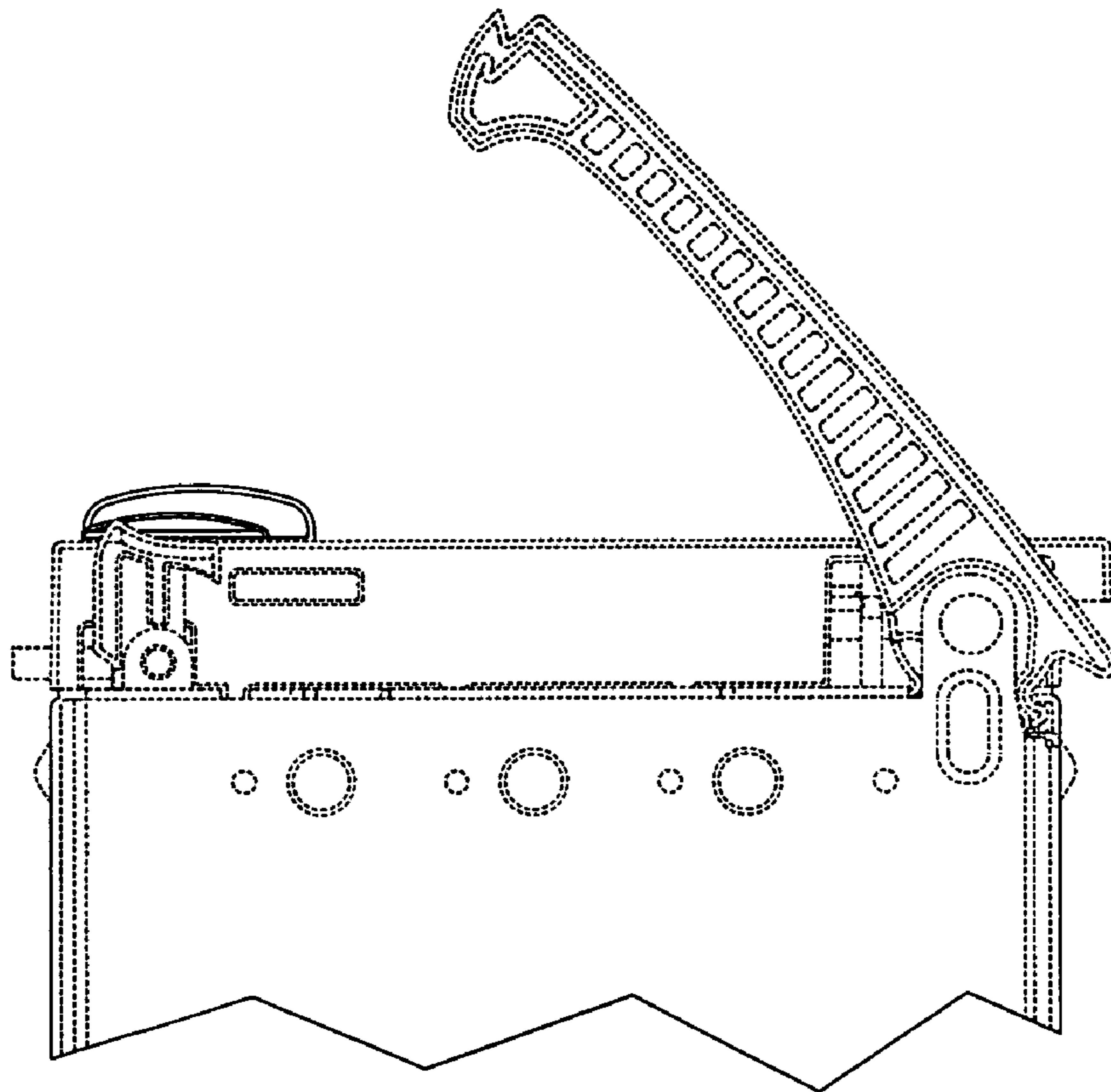
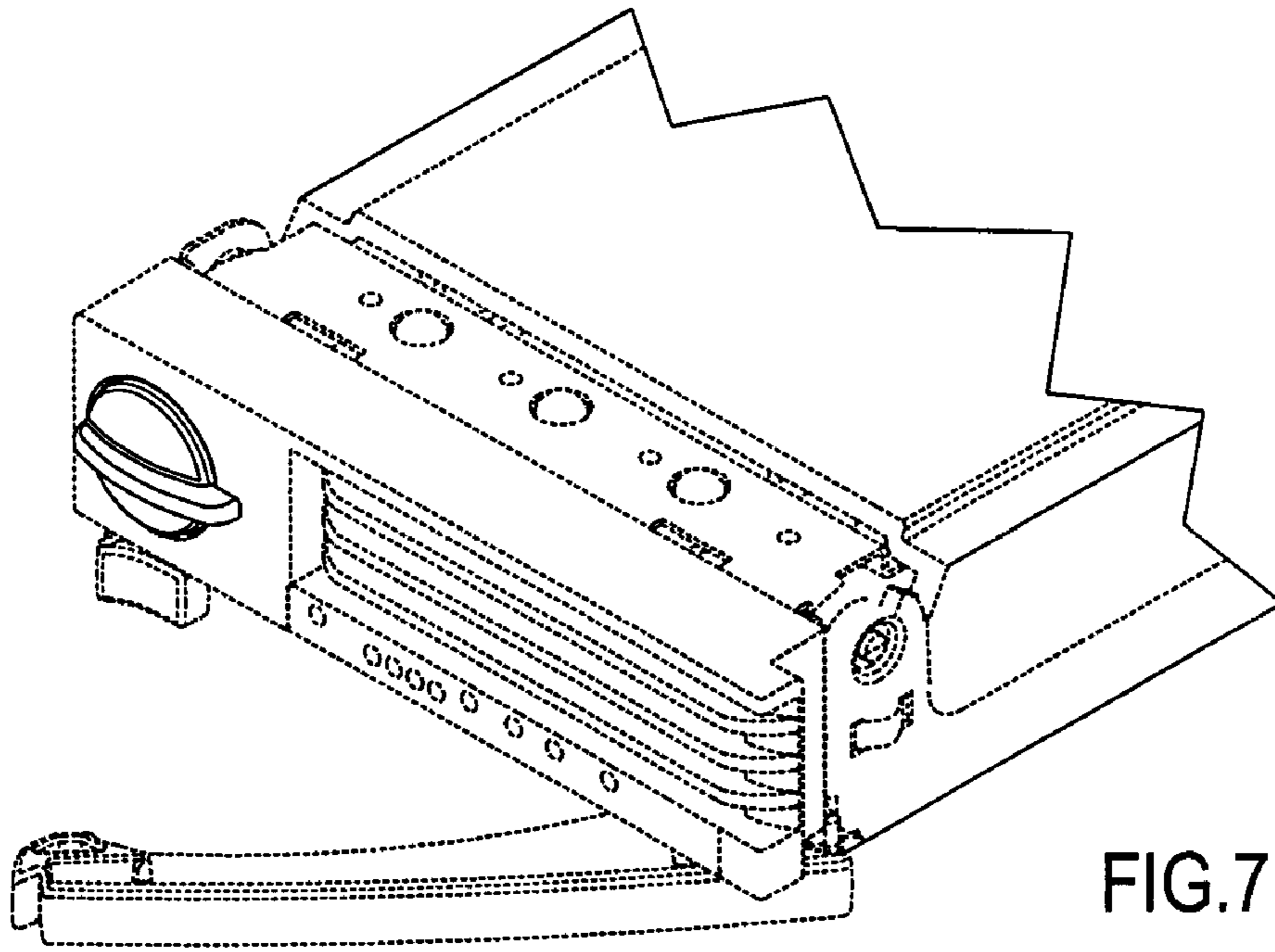


FIG.6



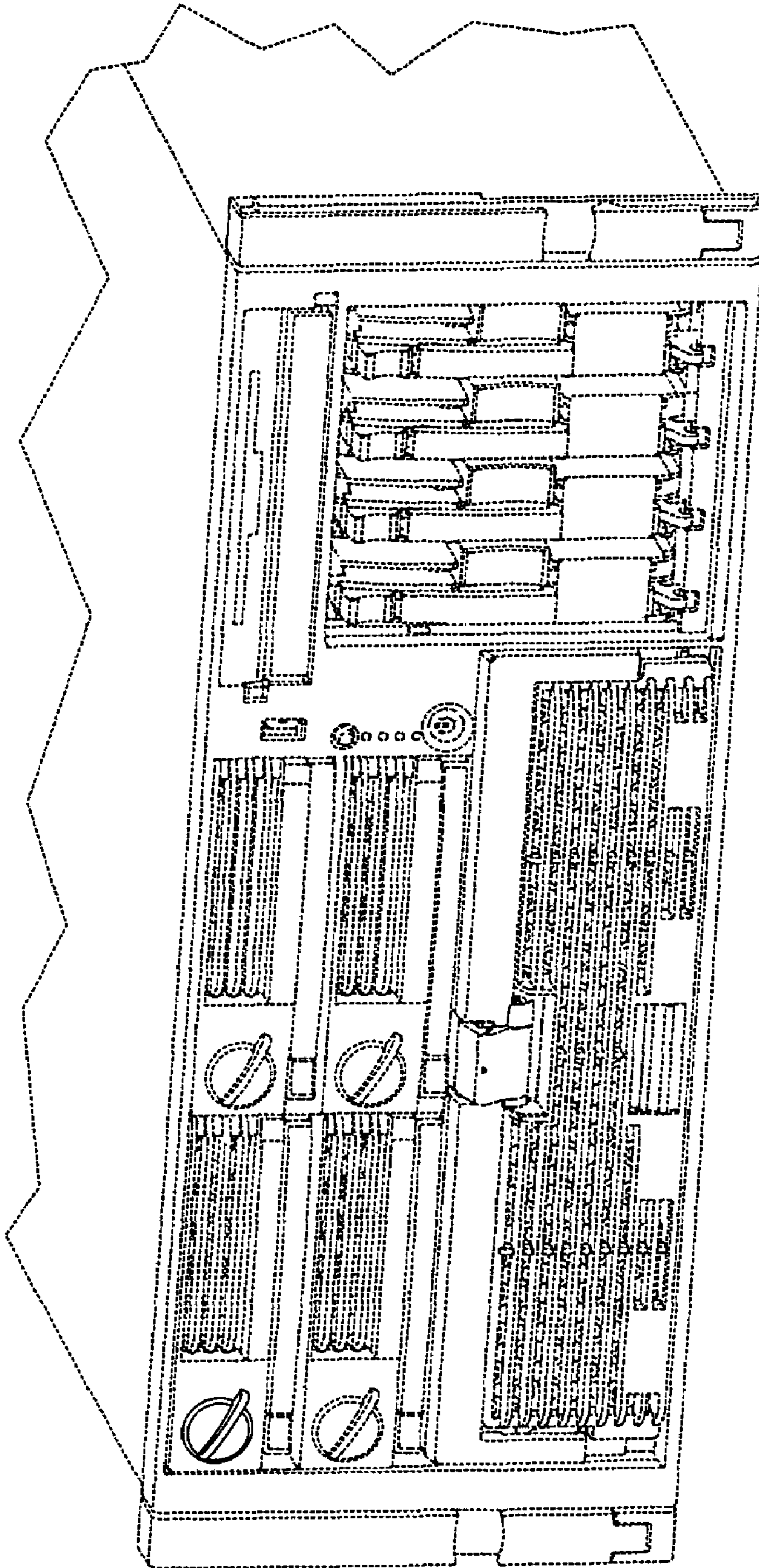


FIG. 9



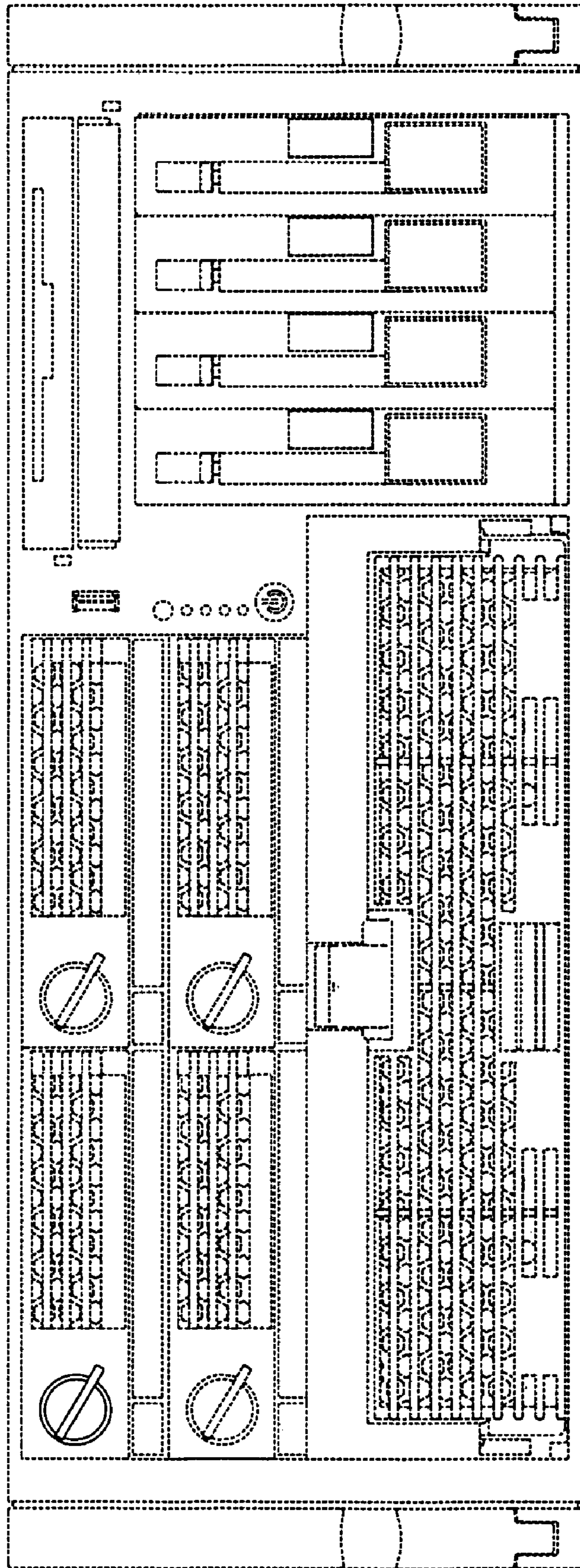


FIG. 10