

US00D544862S

(12) **United States Design Patent**
Amiri

(10) **Patent No.:** **US D544,862 S**
(45) **Date of Patent:** **** Jun. 19, 2007**

(54) **MOBILE DATA INPUT KEYBOARD**

(76) Inventor: **Ahmad Amiri**, 21 Dunlop St. # 207,
Richmond Hill, Ontario (CA) L4C 2M6

(**) Term: **14 Years**

(21) Appl. No.: **29/205,278**

(22) Filed: **May 13, 2004**

(51) **LOC (8) Cl.** **14-02**

(52) **U.S. Cl.** **D14/399**

(58) **Field of Classification Search** D14/341-346,
D14/138, 247, 455, 394; D18/1, 2, 7; 235/145 A,
235/145 R; 341/22, 23; 345/156, 168, 169,
345/172, 173, 87; 349/12; 361/680-686,
361/749; 400/484-489, 492; 455/556.1,
455/556.2, 554.1, 550, 550.1, 556

See application file for complete search history.

(56) **References Cited**

U.S. PATENT DOCUMENTS

5,841,635	A *	11/1998	Sadler et al.	361/749
D408,804	S *	4/1999	Kurokawa et al.	D14/394
6,397,078	B1 *	5/2002	Kim	455/556.2
D470,150	S *	2/2003	Lewis et al.	D14/455
6,614,649	B1 *	9/2003	Wang	361/680
6,628,961	B1 *	9/2003	Ho et al.	455/554.1
6,661,404	B1 *	12/2003	Sirola et al.	345/168
2003/0008678	A1 *	1/2003	Lin	455/556
2003/0078069	A1 *	4/2003	Lindeman	455/550
2003/0100338	A1 *	5/2003	Lee	455/556

2003/0157957	A1 *	8/2003	Wendorff et al.	455/550
2004/0048632	A1 *	3/2004	Kuroda	455/550.1

FOREIGN PATENT DOCUMENTS

DE	3406067	A1 *	8/1985	345/169
----	---------	------	--------	-------	---------

* cited by examiner

Primary Examiner—Freda S. Nunn

(57) **CLAIM**

The ornamental design for a mobile data input keyboard, as shown and described.

DESCRIPTION

The design is a Data Input Board also known as Keyboard or Keypad which can be attached, permanently or detachable, primarily to Mobile Communicating Computers (MCC) such as PDAs, Cell-Phones, Smart-phones, Tablet PCs, Remote Controls, but also to PCs & Controls.

FIG. 1 is an isometric view of a mobile data input keyboard showing my new design;

FIG. 2 is an isometric view of a second embodiment thereof;

FIG. 3 is an isometric view of a third embodiment thereof;

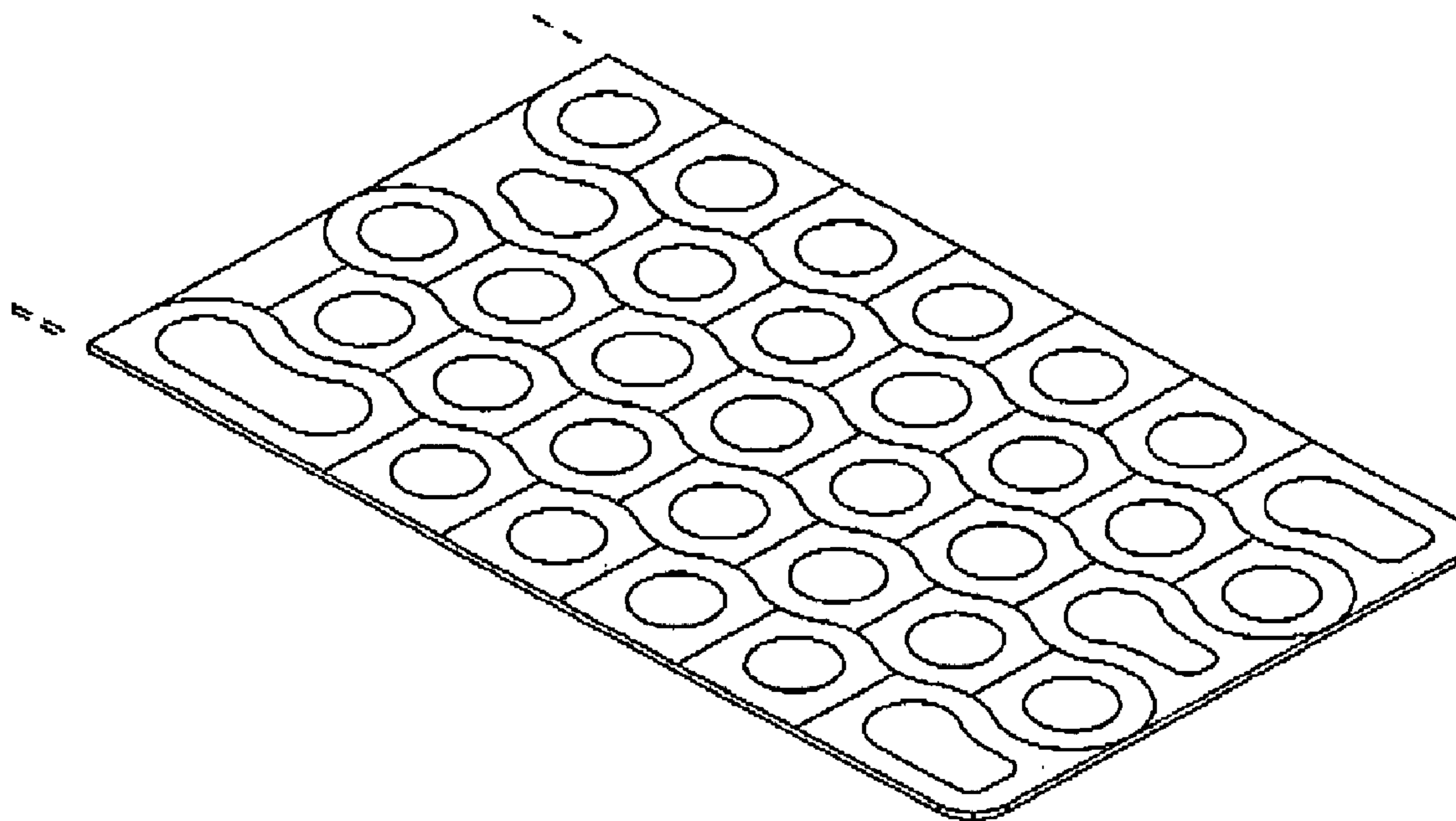
FIG. 4 is an isometric view of a fourth embodiment thereof;

FIG. 5 is an isometric view of a fifth embodiment thereof;

and,

FIG. 6 is an isometric view of a sixth embodiment thereof.

1 Claim, 6 Drawing Sheets



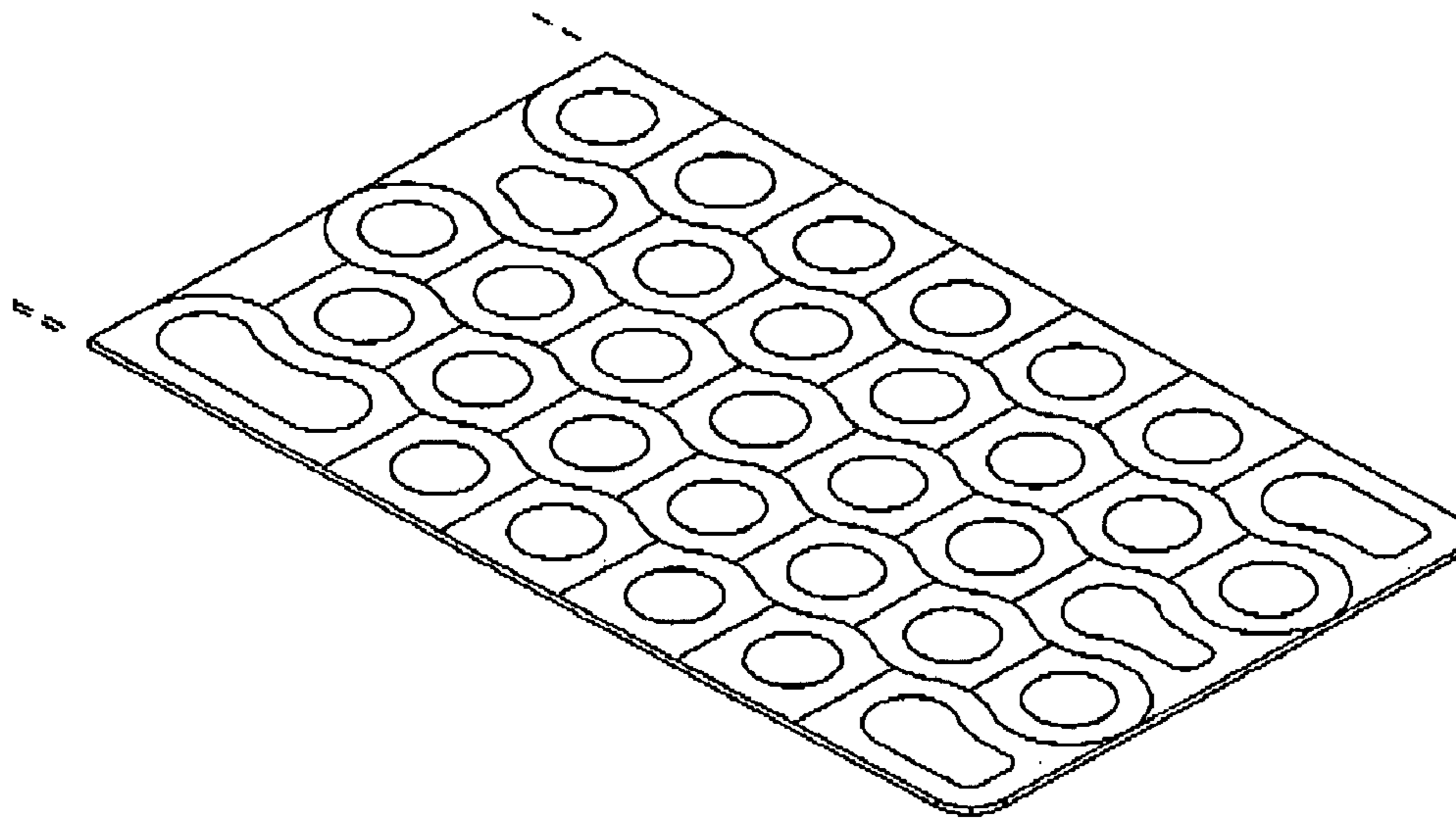


Figure 1

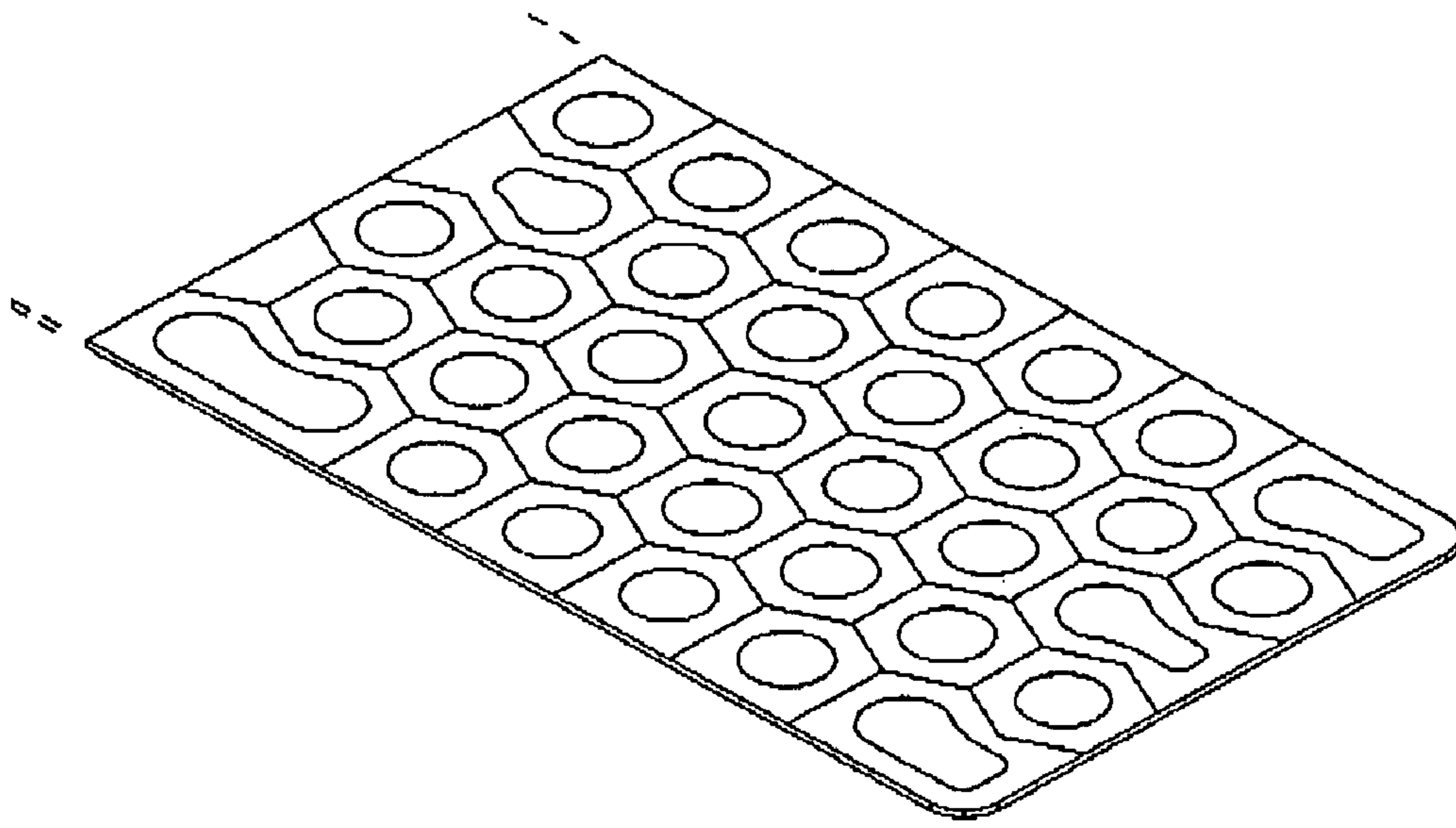


Figure 2

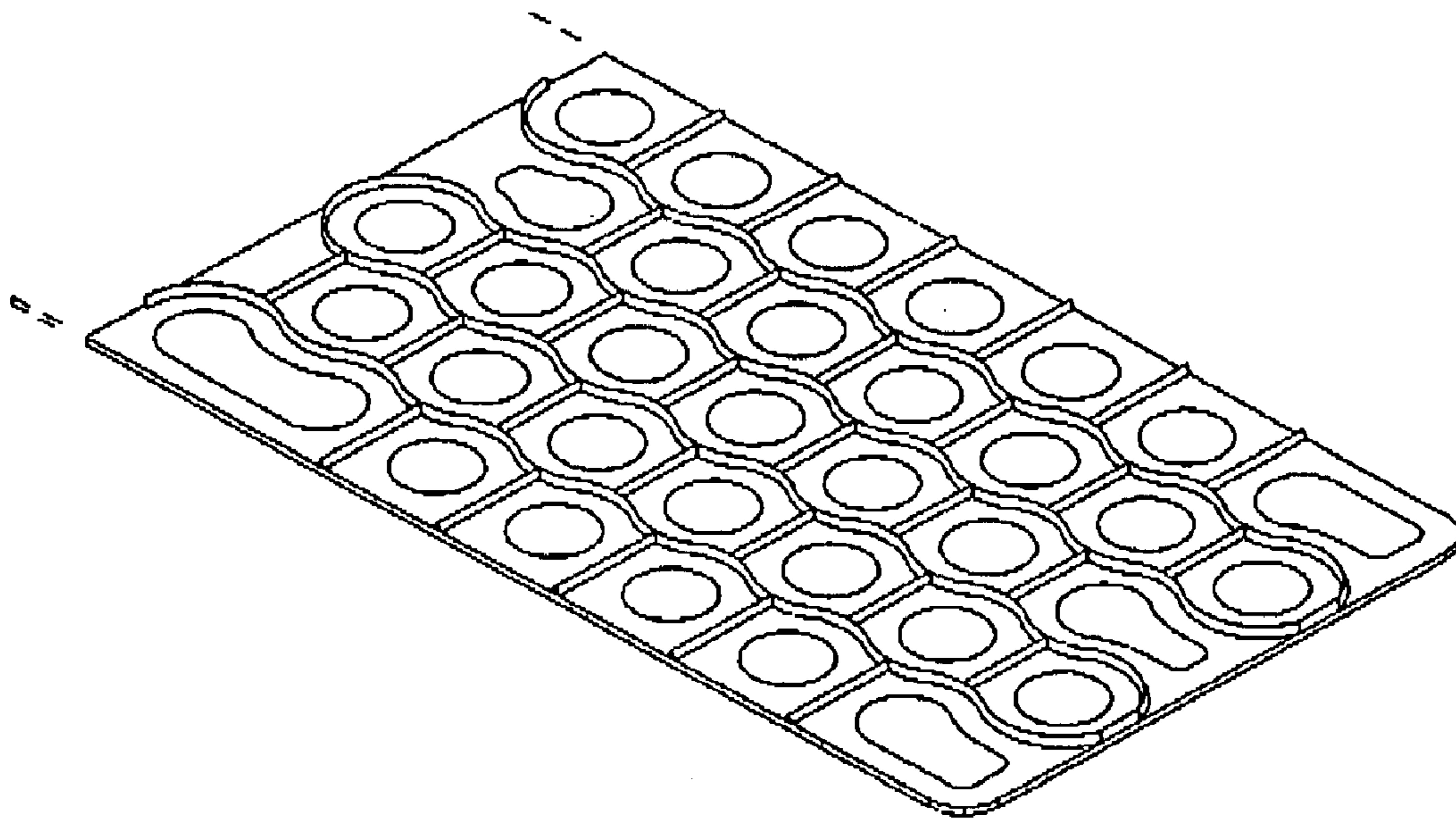


Figure 3

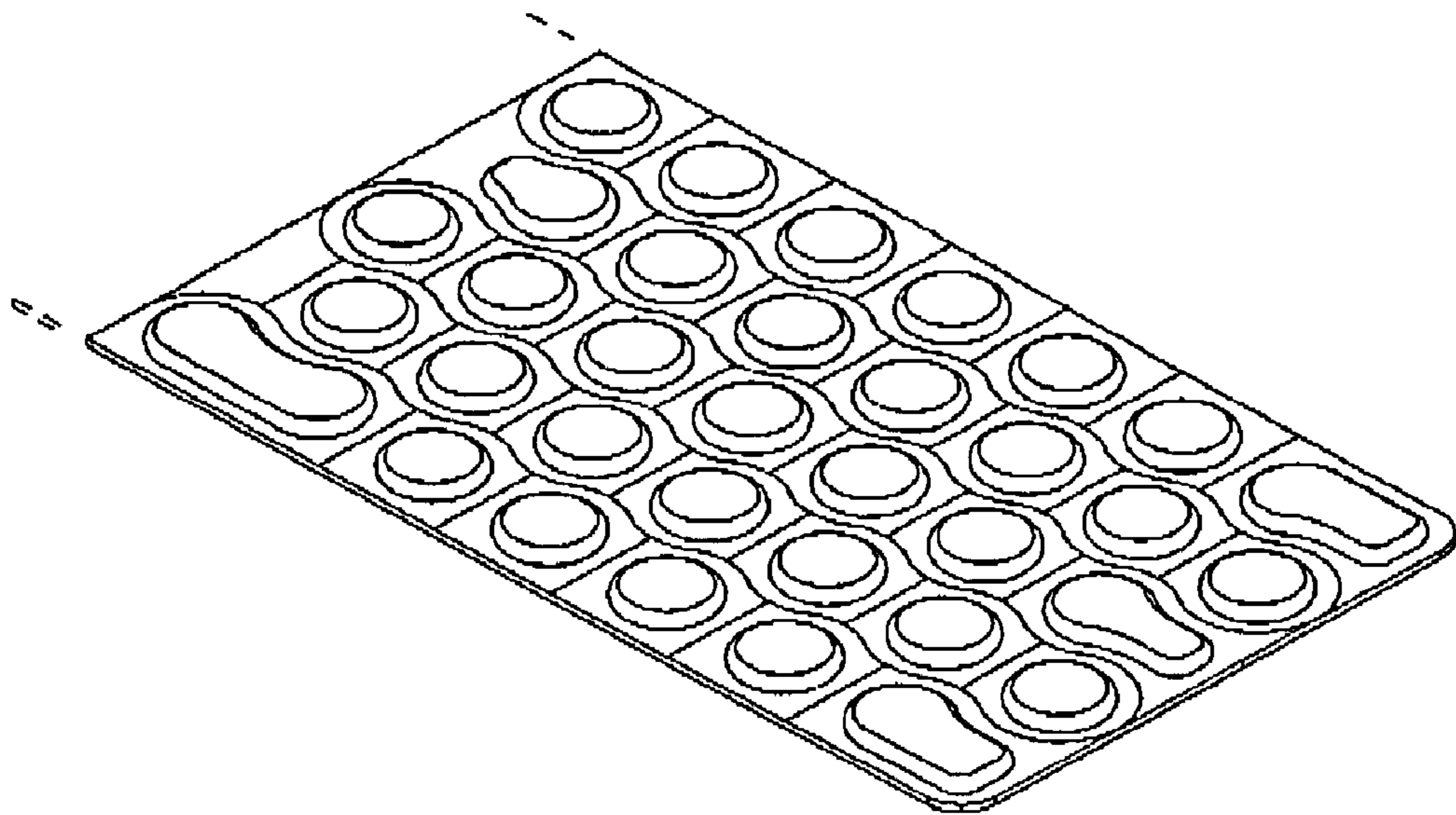


Figure 4

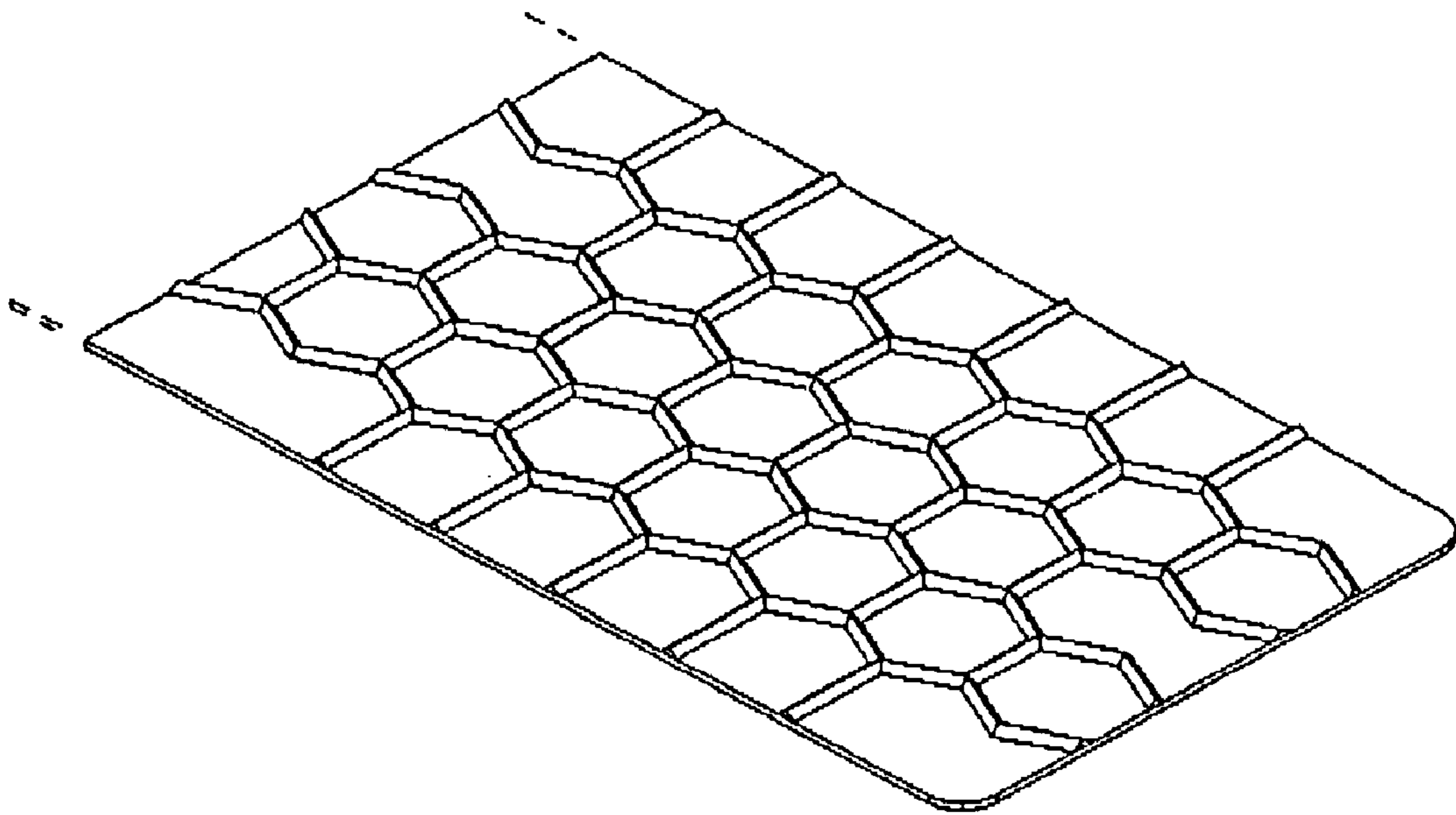


Figure 5

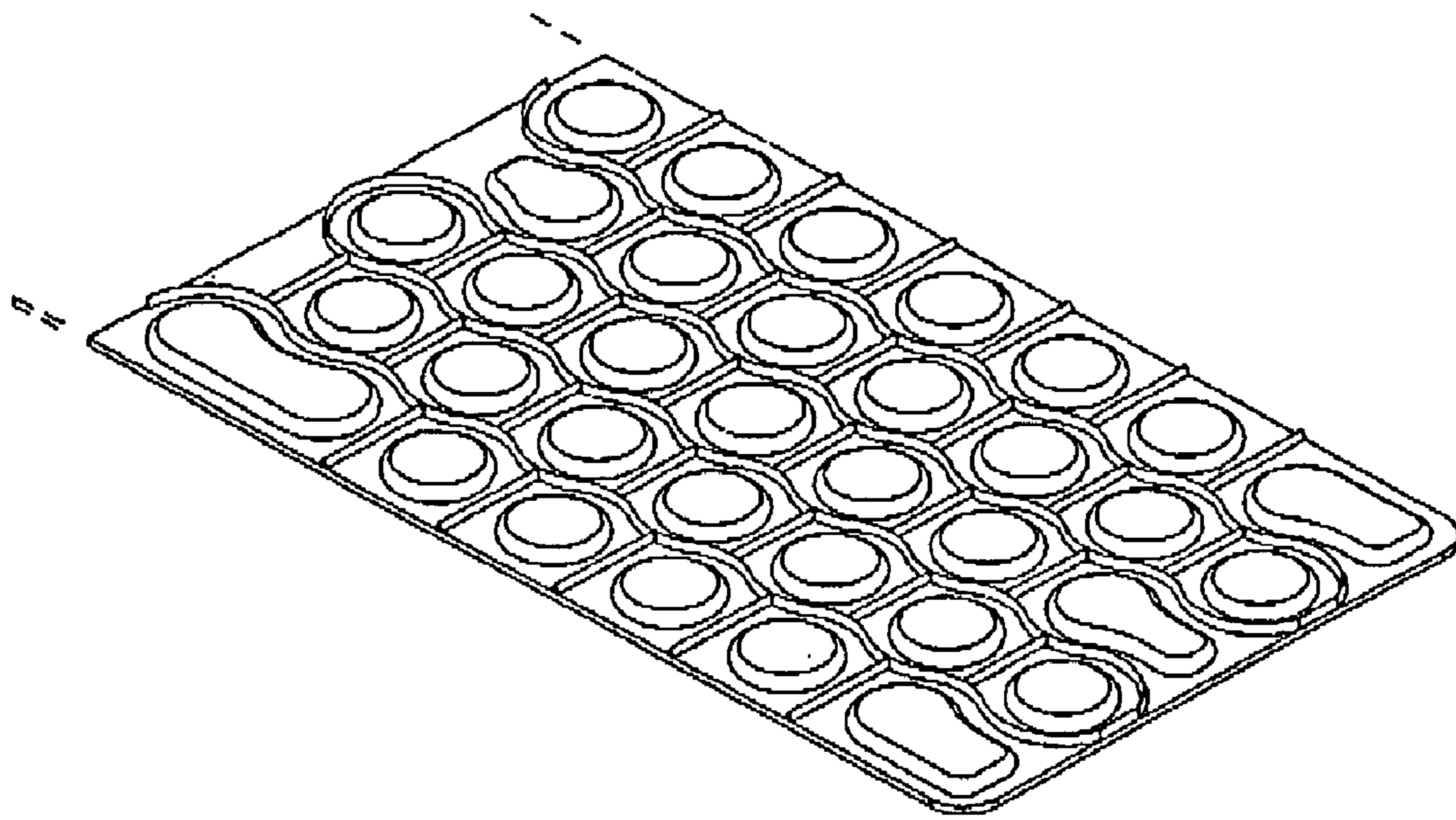


Figure 6