

US00D544857S

(12) **United States Design Patent**
Milne

(10) **Patent No.:** **US D544,857 S**

(45) **Date of Patent:** **** Jun. 19, 2007**

(54) **SPEAKER BASKET**

(75) Inventor: **Ben Milne**, Newton, IA (US)

(73) Assignee: **Elemental Designs Ben Milne**,
Newton, IA (US)

(**) Term: **14 Years**

(21) Appl. No.: **29/247,110**

(22) Filed: **May 31, 2006**

(51) **LOC (8) Cl.** **14-01**

(52) **U.S. Cl.** **D14/224; D14/221**

(58) **Field of Classification Search** D14/224,
D14/221, 207, 216, 219, 222, 210, 215, 229;
181/144-145, 147-148, 150, 152, 155, 159,
181/168, 171-174; 381/307, 359, 361-364,
381/386, 396, 398, 300-302, 182, 186, 423,
381/426, 403

See application file for complete search history.

(56) **References Cited**

U.S. PATENT DOCUMENTS

D225,069 S * 11/1972 May D14/216
D239,538 S * 4/1976 Wagner D14/216
D318,671 S * 7/1991 Naumann D14/224

5,323,469 A * 6/1994 Scholz 381/403
D432,118 S * 10/2000 Honnert D14/216
D475,992 S * 6/2003 Tomotaro D14/216
D476,313 S * 6/2003 Rivera D14/216
D478,572 S * 8/2003 Dawson D14/219
D484,116 S * 12/2003 Proni D14/216
D487,738 S * 3/2004 Iijima et al. D14/216
D522,497 S * 6/2006 Morisawa D14/221

* cited by examiner

Primary Examiner—Paula A. Greene

(57) **CLAIM**

The ornamental design for speaker basket, as shown and described.

DESCRIPTION

FIG. 1 is a perspective view of the invention;
FIG. 2 is a front elevational view of the invention, the rear
elevational view being a mirror image thereof;
FIG. 3 is a left-side elevational view of the invention, the
right-side elevational view being a mirror image thereof;
FIG. 4 is a top plan view of the invention; and,
FIG. 5 is a bottom plan view of the invention.

1 Claim, 2 Drawing Sheets

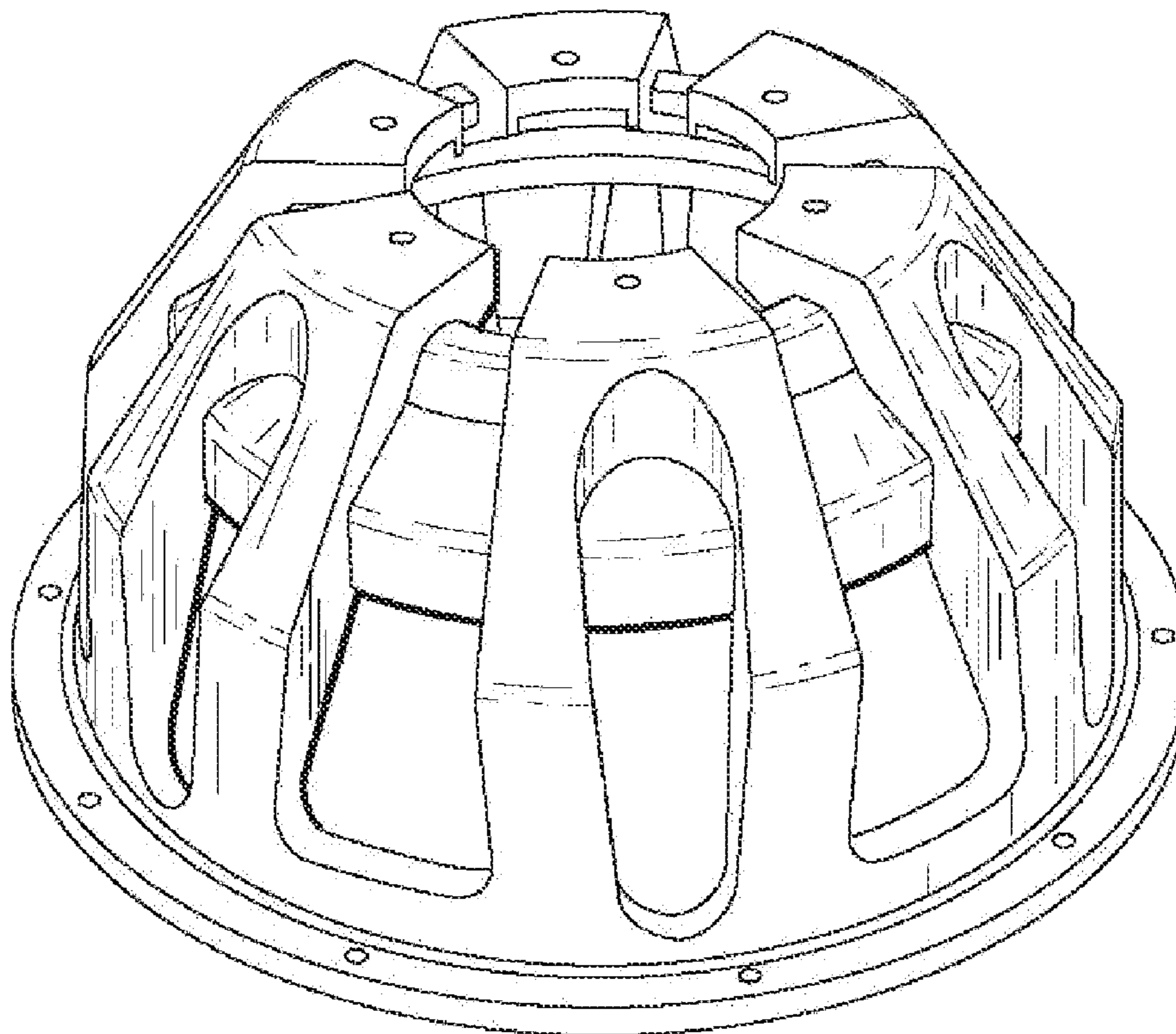


Fig. 1

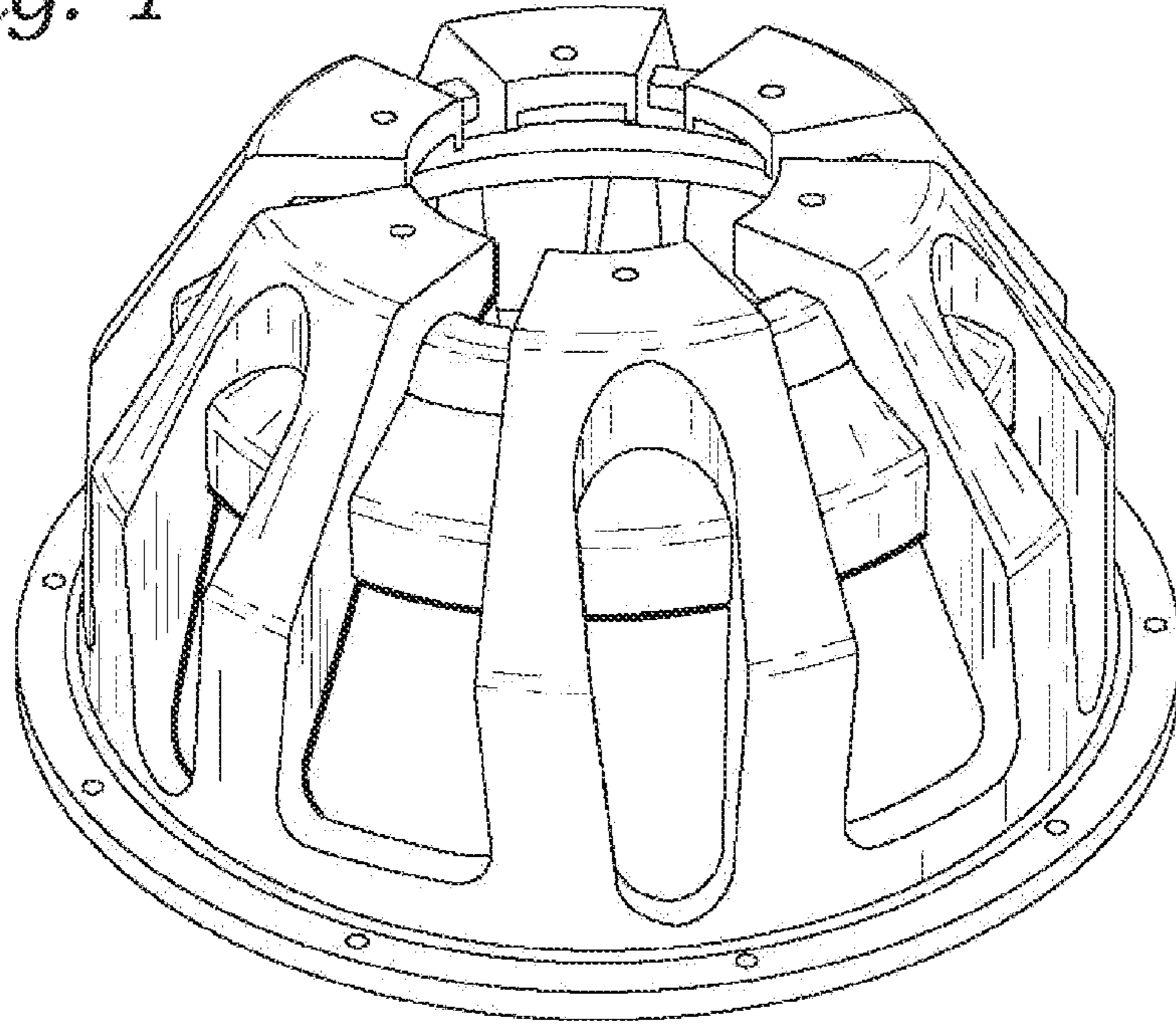


Fig. 2

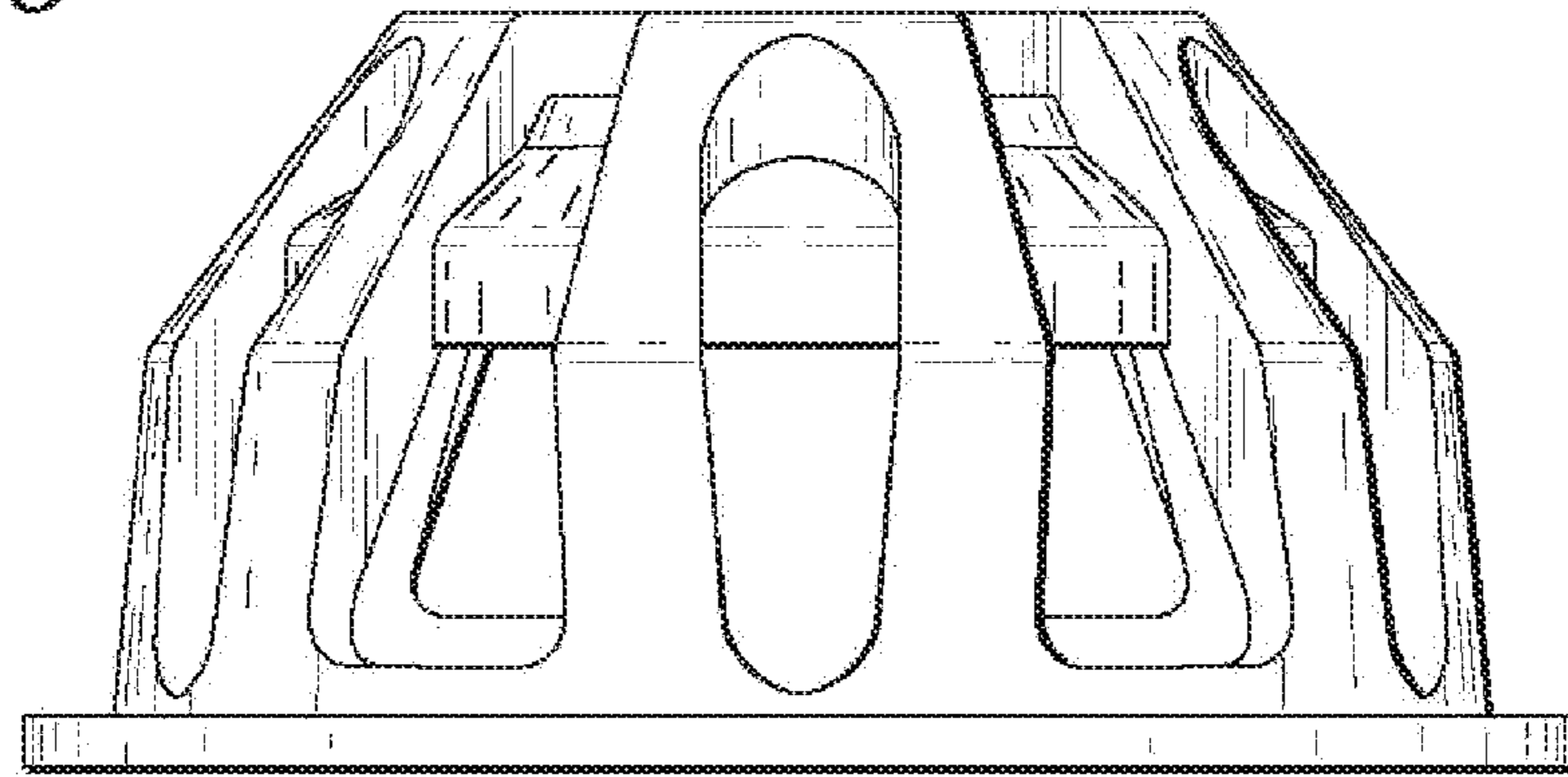


Fig. 3

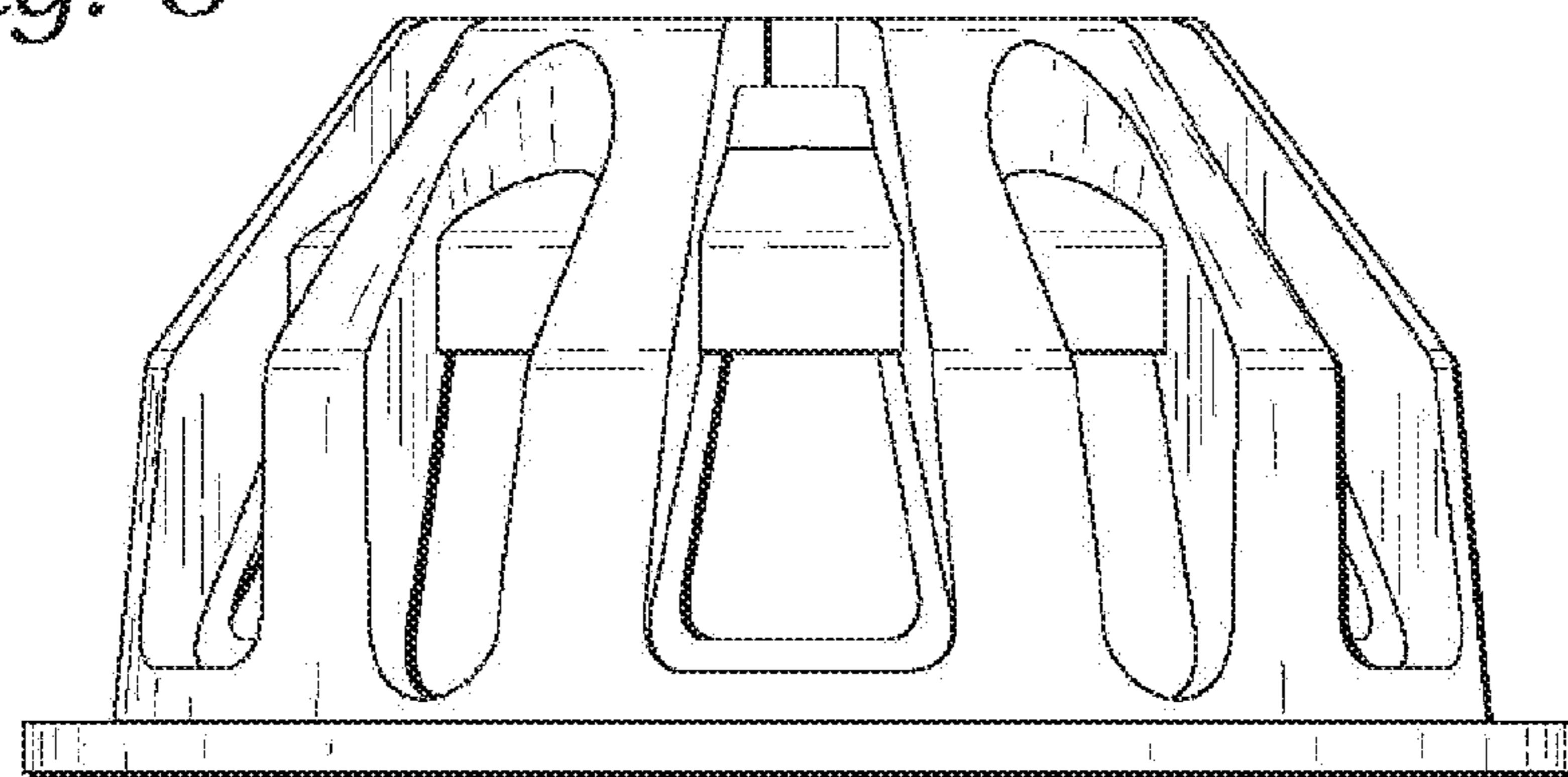


Fig. 4

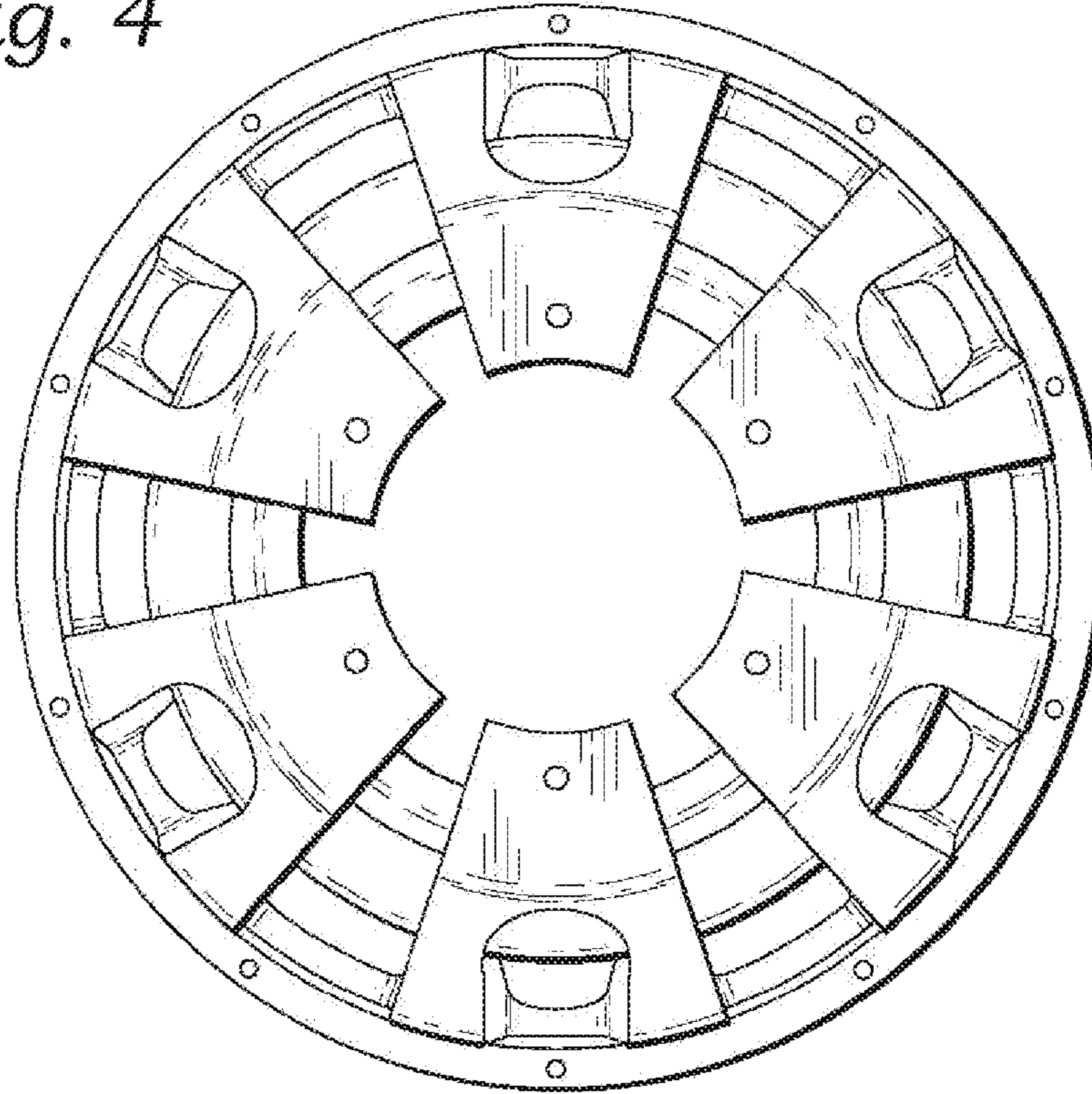


Fig. 5

