



US00D544854S

(12) **United States Design Patent**
Smith

(10) **Patent No.:** **US D544,854 S**

(45) **Date of Patent:** **** Jun. 19, 2007**

(54) **AUDIO SYSTEM**

D515,553 S * 2/2006 Tragatschnig D14/188
D523,841 S * 6/2006 Van Kastel D14/188

(76) Inventor: **Glenn Smith**, 6122 Katella Ave.,
Cypress, CA (US) 90630

* cited by examiner

(**) Term: **14 Years**

Primary Examiner—Prabhakar Deshmukh
(74) *Attorney, Agent, or Firm*—Clement Cheng

(21) Appl. No.: **29/258,905**

(22) Filed: **Apr. 28, 2006**

(57) **CLAIM**

(51) **LOC (8) Cl.** **14-03**

The ornamental design for an audio system, as shown and described.

(52) **U.S. Cl.** **D14/188; D14/496**

(58) **Field of Classification Search** D14/496,
D14/125, 188, 192, 204, 217, 265; 455/344-351;
369/1, 4, 6-12; 381/119, 120; 700/94; 345/156,
345/184

DESCRIPTION

See application file for complete search history.

FIG. 1 is a top, front and left side perspective view of the an audio system showing my new design.

(56) **References Cited**

FIG. 2 is a bottom, front, and left side perspective view thereof;

U.S. PATENT DOCUMENTS

- 4,181,823 A * 1/1980 DeLamoreaux et al. 369/10
- D319,060 S * 8/1991 Rashak D14/195
- D350,960 S * 9/1994 Sakata et al. D14/168
- 5,459,702 A * 10/1995 Greenspan 369/25.01
- 5,471,659 A * 11/1995 Wong 455/132
- 5,867,774 A * 2/1999 Summers et al. 455/575.1
- D406,850 S * 3/1999 Rochel D14/265
- D423,006 S * 4/2000 Matsuoka D14/168
- D486,816 S * 2/2004 Nakajima et al. D14/169
- D500,490 S * 1/2005 Zeitman D14/188

FIG. 3 is a front orthogonal view thereof;

FIG. 4 is a rear orthogonal view thereof;

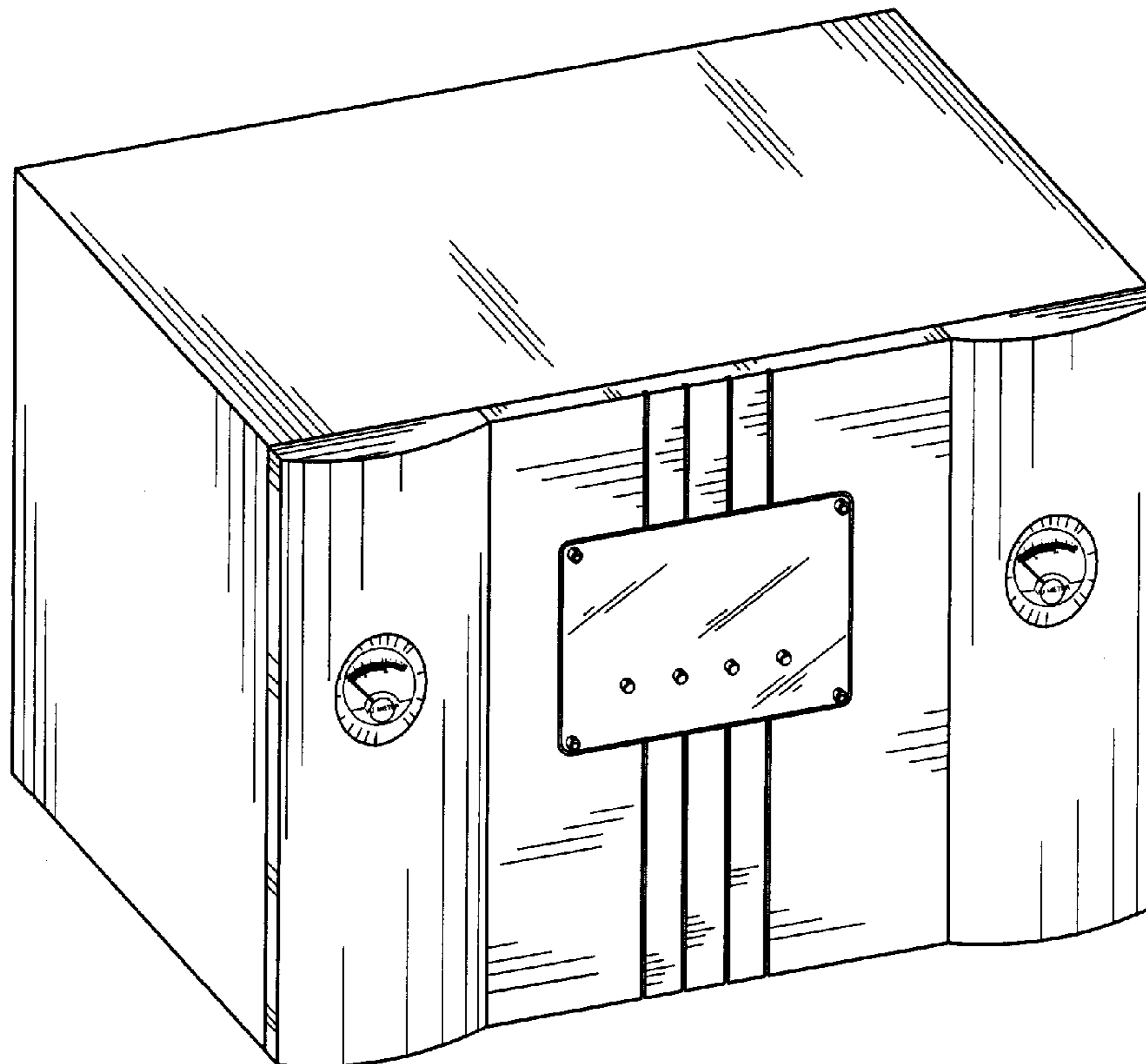
FIG. 5 is a left side orthogonal view thereof, the right side orthogonal view is a mirror image of the left side;

FIG. 6 is a top orthogonal view thereof; and,

FIG. 7 is a bottom orthogonal view thereof.

The broken lines are for illustrative purpose and form no part of the claimed design.

1 Claim, 6 Drawing Sheets



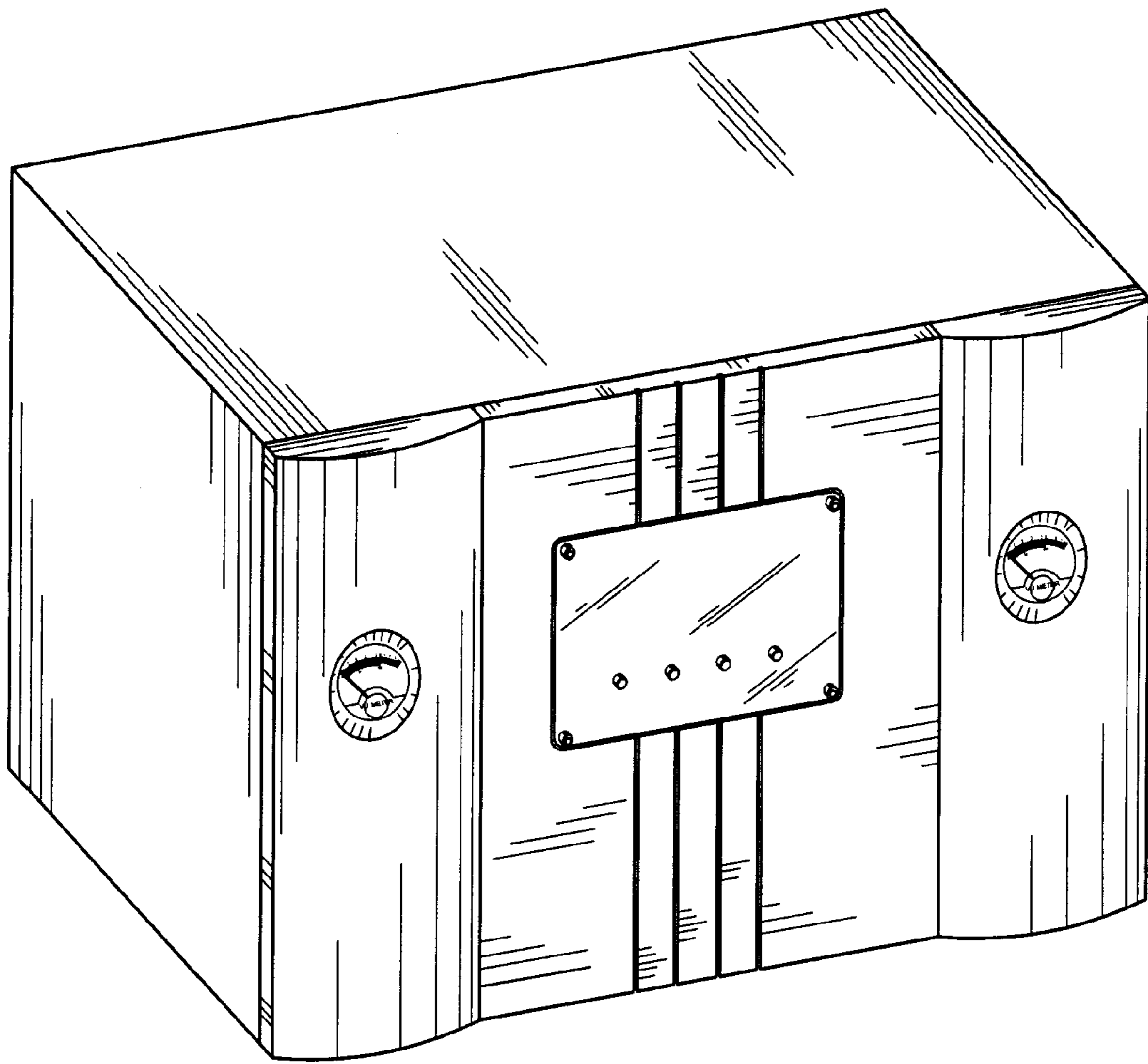


FIG. 1

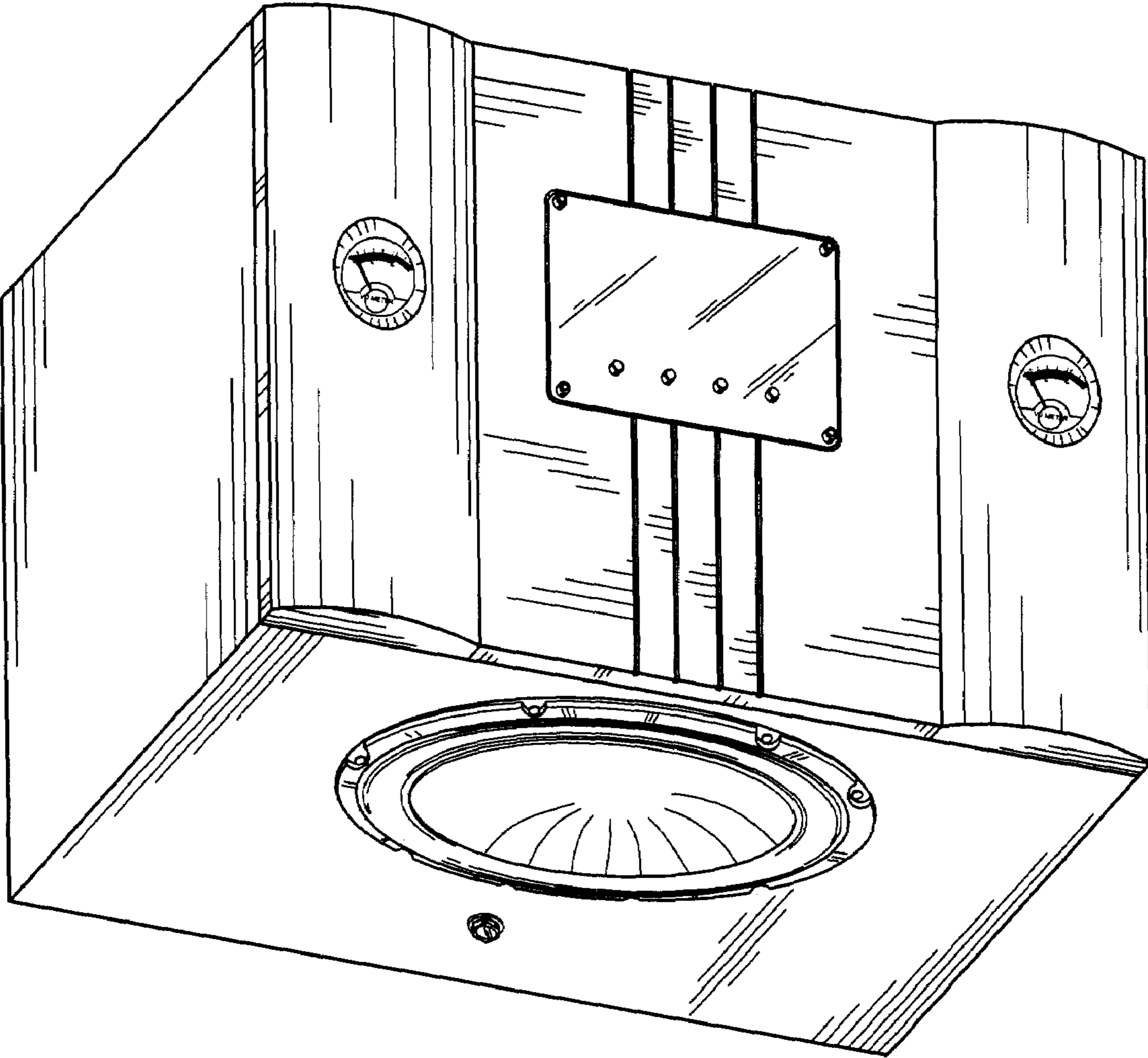


FIG. 2

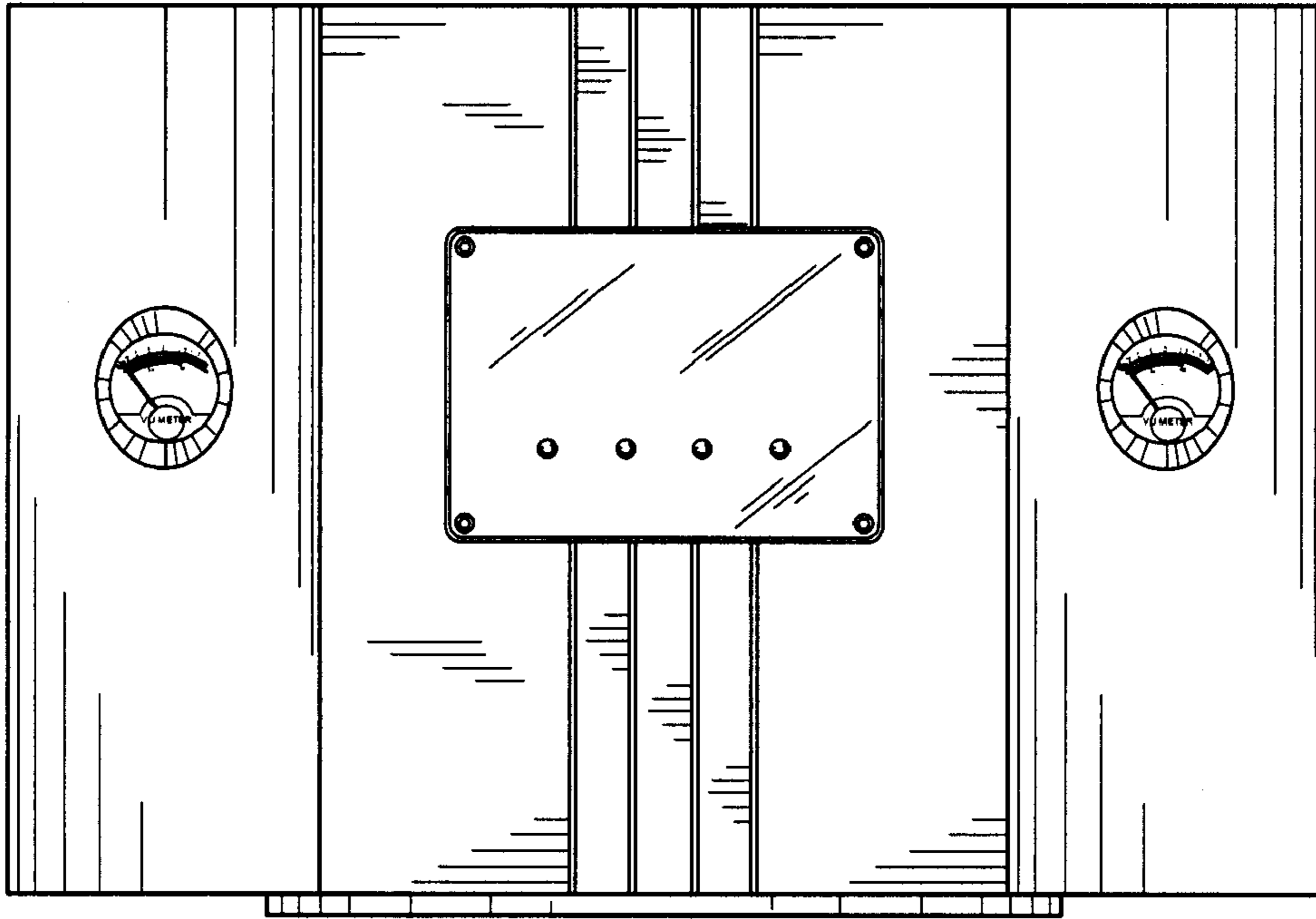


FIG. 3

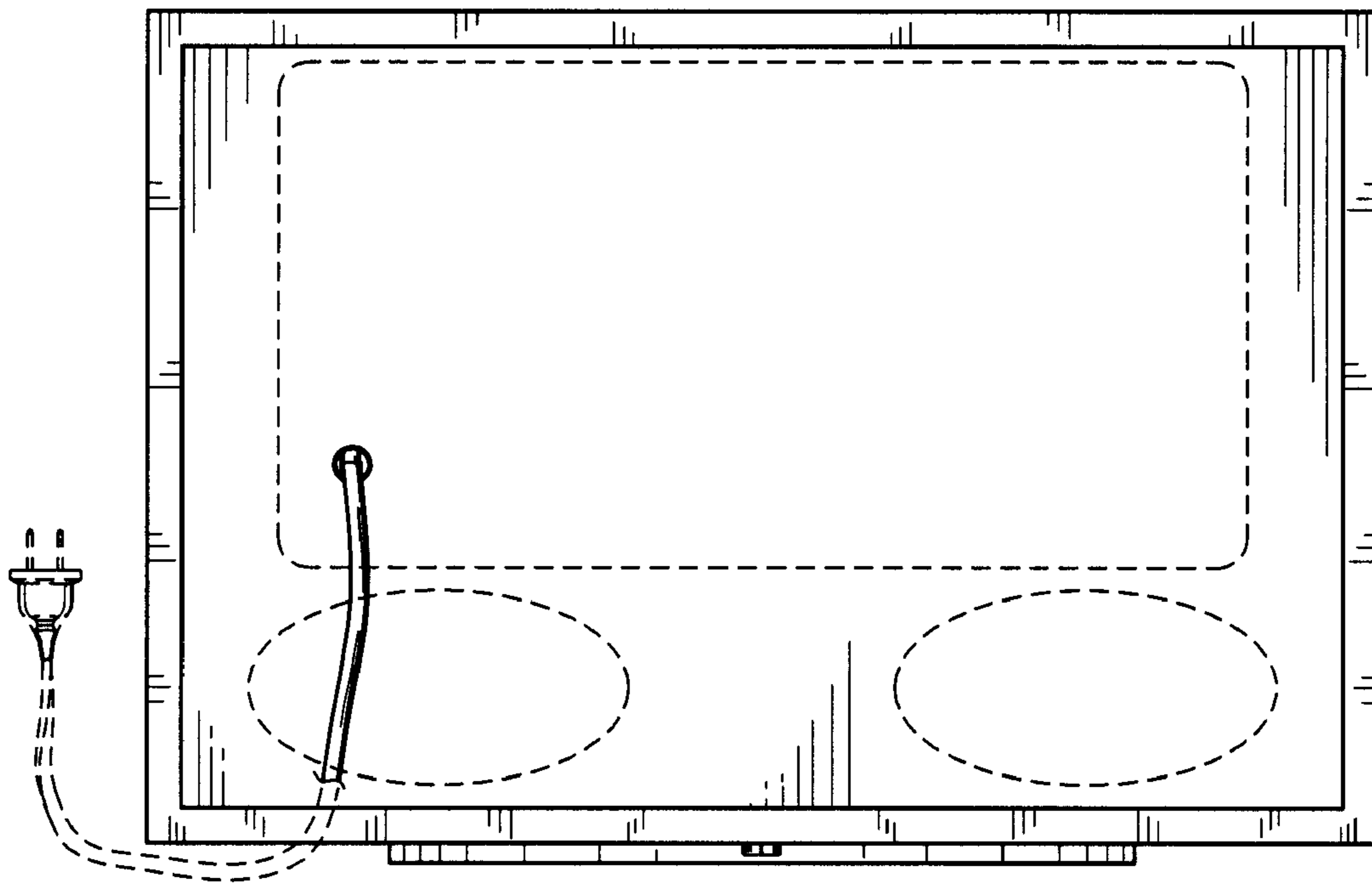


FIG. 4

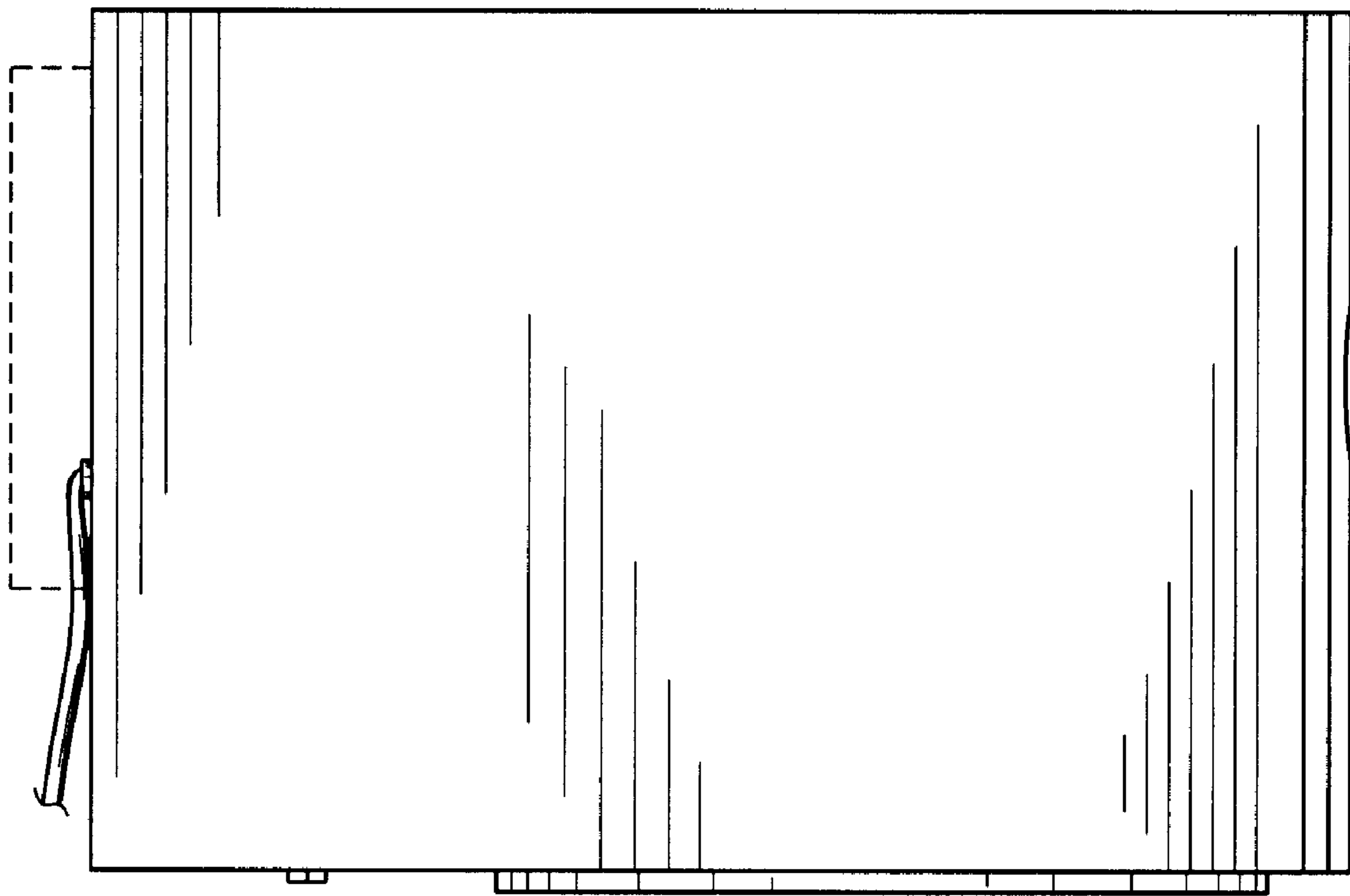


FIG. 5

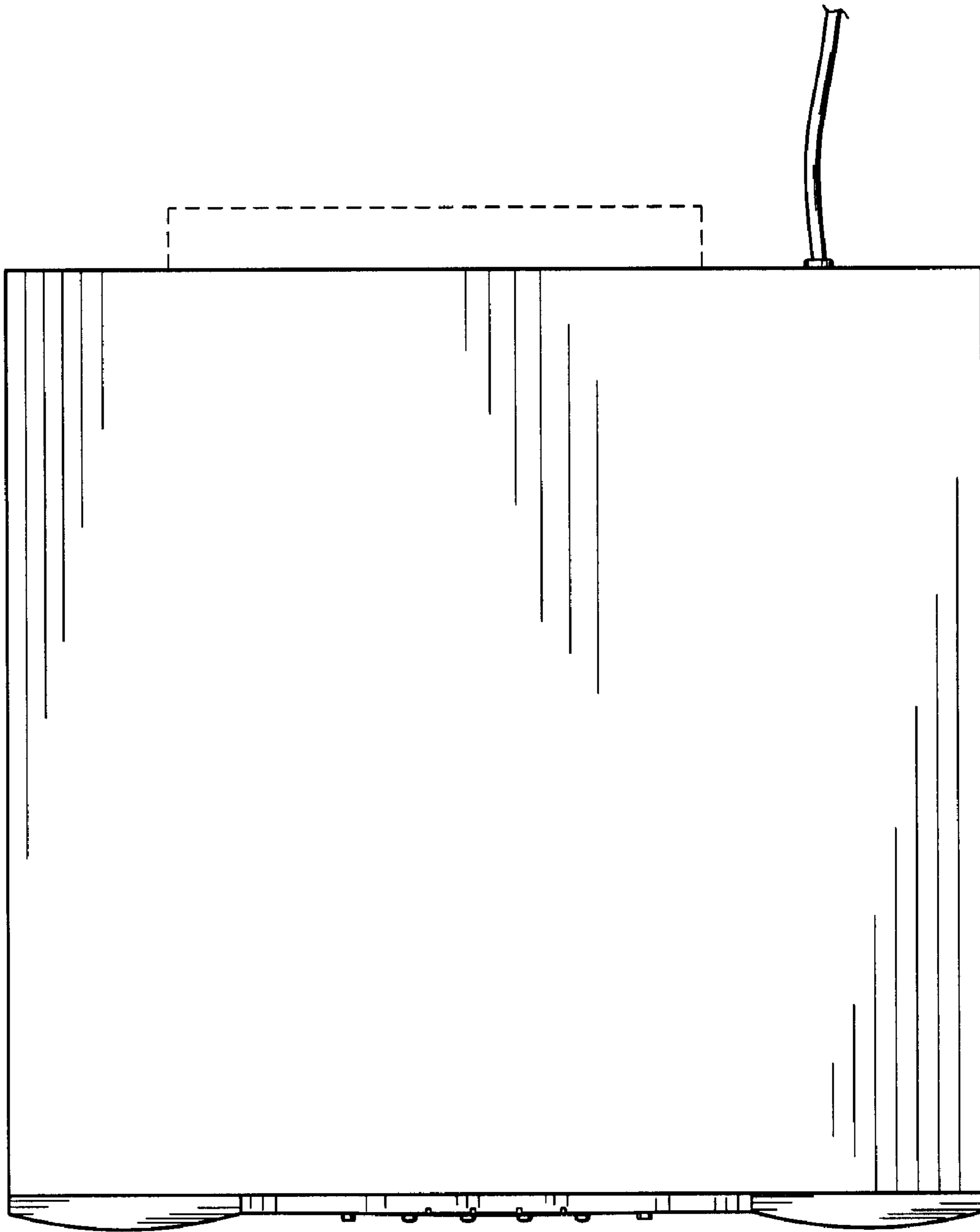


FIG. 6

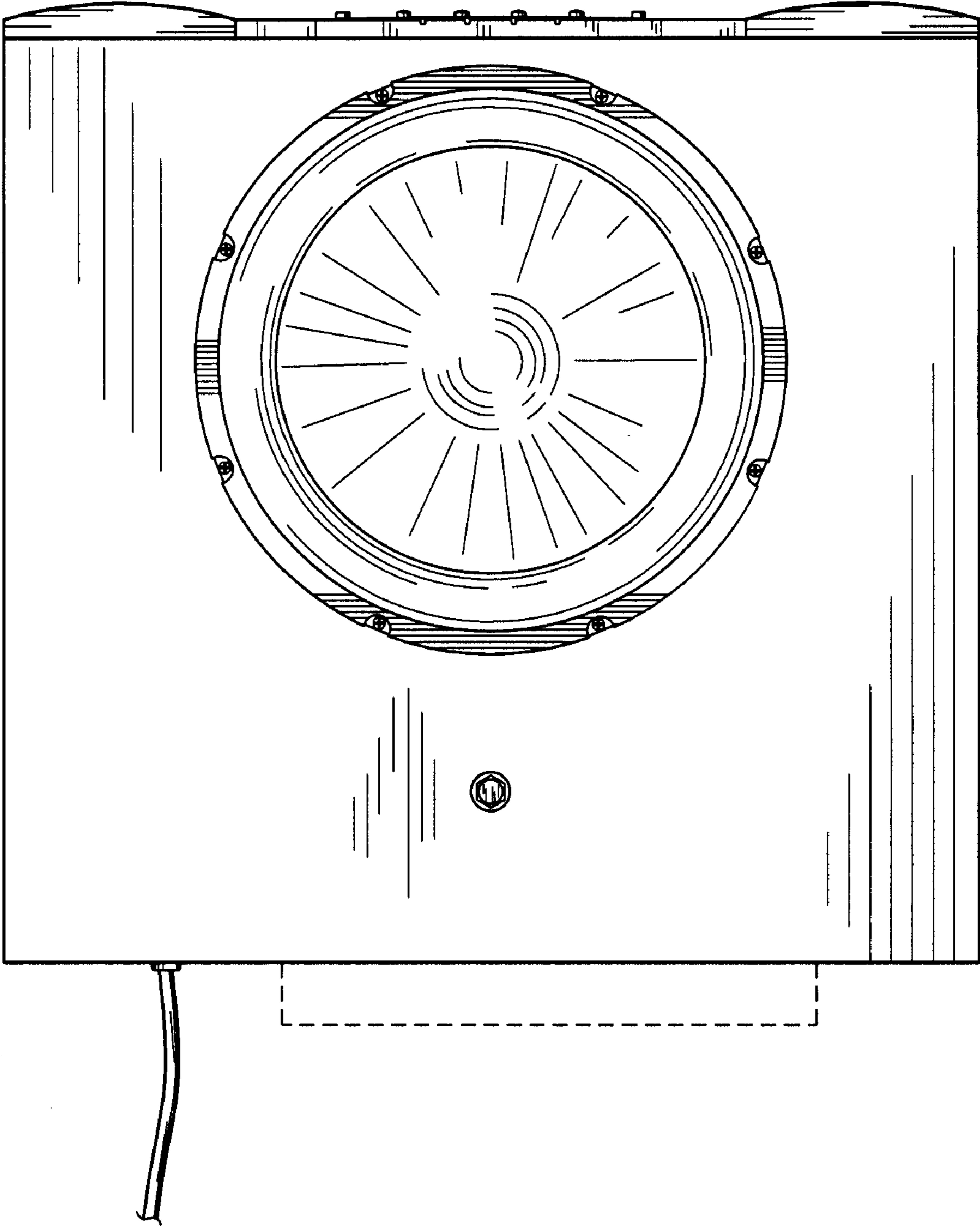


FIG. 7