

US00D544845S

(12) **United States Design Patent**
Askeland et al.

(10) **Patent No.:** **US D544,845 S**
(45) **Date of Patent:** **** Jun. 19, 2007**

(54) **PORTIONS OF A CONNECTOR PLUG AND RECEPTACLE PAIR**

(75) Inventors: **Roy J. Askeland**, Los Altos, CA (US);
J. David Egner, Sammamish, WA (US)

(73) Assignee: **Microsoft Corporation**, Redmond, WA (US)

(**) Term: **14 Years**

(21) Appl. No.: **29/277,565**

(22) Filed: **Mar. 1, 2007**

(51) **LOC (8) Cl.** **13-03**

(52) **U.S. Cl.** **D13/154; D13/147**

(58) **Field of Classification Search** D13/146,
D13/147, 154, 184, 199; 439/108, 347, 151-152,
439/351-354, 358, 374, 378-379, 476.1,
439/594, 597, 600, 660, 607-610, 668, 676-680
See application file for complete search history.

(56) **References Cited**

U.S. PATENT DOCUMENTS

D195,171 S	5/1963	Keller	
D210,533 S	3/1968	Pauza	
D234,771 S	4/1975	Saunders	
D241,942 S	10/1976	Sheesley et al.	
D272,061 S	1/1984	Moriai et al.	
D308,513 S	6/1990	Endo et al.	
D310,993 S *	10/1990	Ohkura et al.	D13/146
D319,043 S	8/1991	Hayashi et al.	
D323,141 S	1/1992	Sueyoshi et al.	
D323,152 S *	1/1992	Nagasaka et al.	D13/147
D328,278 S	7/1992	Nagasaka et al.	
5,268,982 A	12/1993	Schaffer et al.	
5,342,221 A *	8/1994	Peterson	439/677
D366,646 S	1/1996	Carr	
D389,121 S	1/1998	Kuprewicz et al.	
D410,629 S	6/1999	Bandura et al.	
D413,302 S	8/1999	Sekiguchi et al.	

D426,194 S	6/2000	Ko et al.	
D427,149 S	6/2000	Konno et al.	
6,159,054 A *	12/2000	Ko	439/680
6,183,287 B1 *	2/2001	Po	439/358
RE37,296 E *	7/2001	Peterson	439/677
D476,624 S	7/2003	Watanabe et al.	

(Continued)

OTHER PUBLICATIONS

Pictures of Microsoft Xbox 360 Power Supply Cable, 3 sheets.
Pictures of Microsoft Xbox 360 Rear Panel Power Socket Connection, 2 sheets.

Primary Examiner—Daniel Bui
(74) *Attorney, Agent, or Firm*—Banner & Witcoff, Ltd.

(57) **CLAIM**

The ornamental design for portions of a connector plug and receptacle pair, as shown and described.

DESCRIPTION

FIG. 1 is a front elevation view of a portion of a connector plug, showing our new design;

FIG. 2 is a perspective view thereof;

FIG. 3 is a front elevation view of a portion of a connector receptacle, showing our new design;

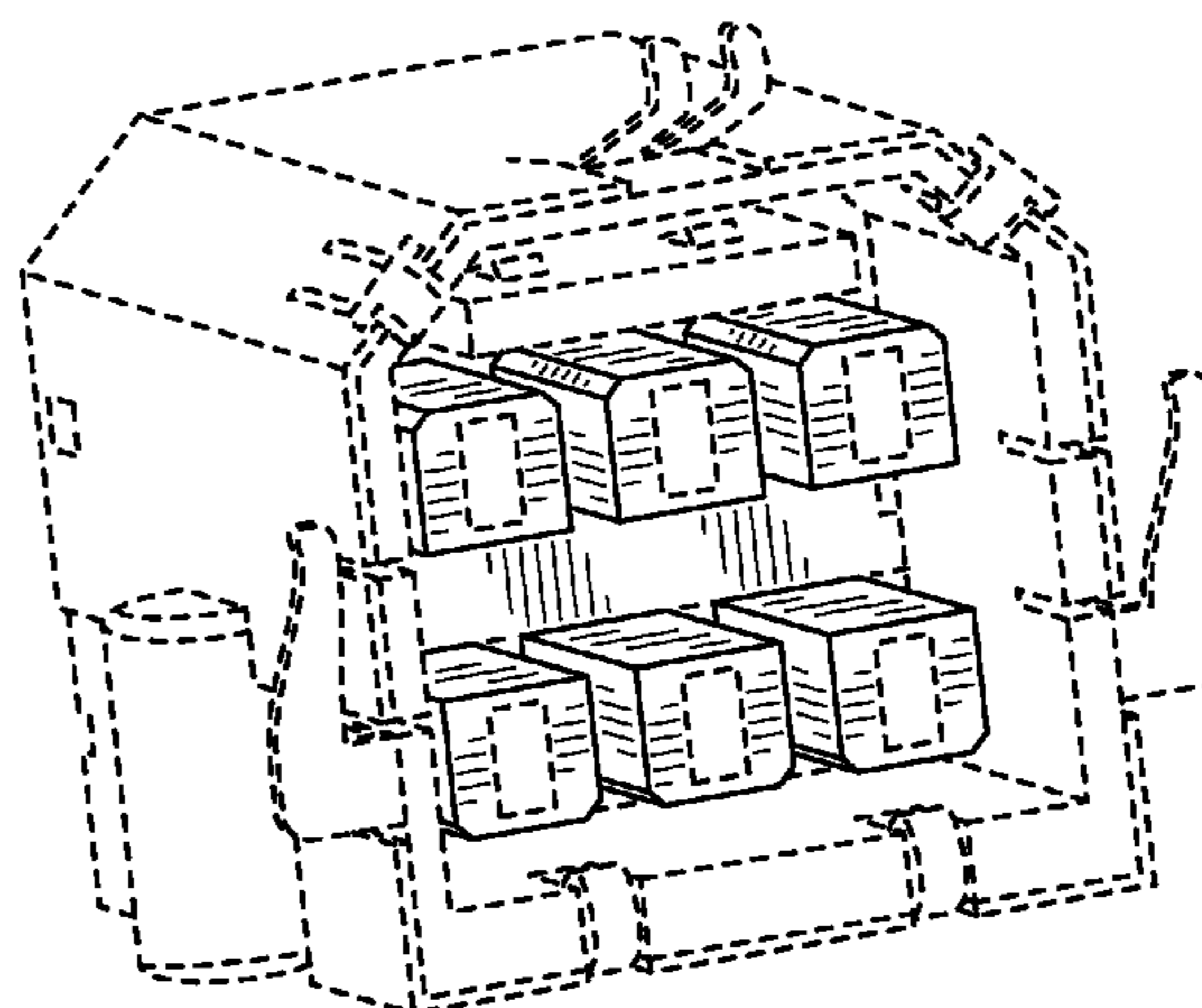
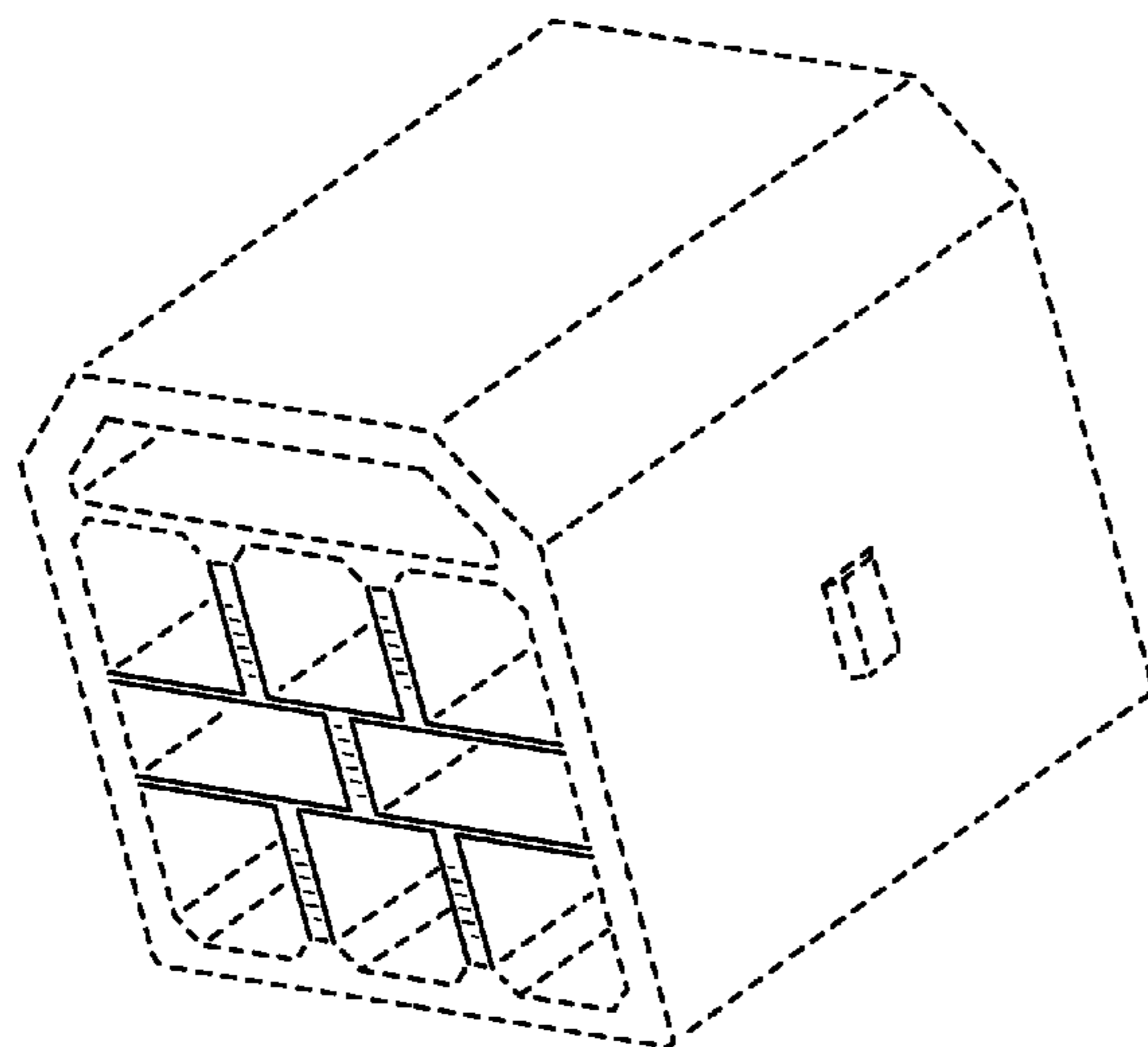
FIG. 4 is a perspective thereof; and,

FIG. 5 is a front elevation view of portions of a connector plug and receptacle pair, shown in a common stowage.

The portion of the connector plug and the portion of the receptacle are shown separately in FIGS. 1-2 and 3-4 respectively for clarification of illustration.

The broken line showing of the remainder of the connector plug and the connector receptacle, and the common stowage is for illustrative purposes only and forms no part of the claimed design.

1 Claim, 3 Drawing Sheets



US D544,845 S

Page 2

U.S. PATENT DOCUMENTS					
D478,321 S	8/2003	Peng	D512,687 S	12/2005	Baker et al.
D482,658 S	11/2003	Shao	D519,924 S	5/2006	Baker et al.
D483,017 S	12/2003	Goto	D524,737 S	7/2006	Lai et al.
D483,332 S	12/2003	Verfuert	D524,751 S	7/2006	Lee et al.
D488,783 S	4/2004	Goto	D528,984 S	9/2006	Li
D491,525 S	6/2004	Hwang	D531,959 S	11/2006	Kondas
D492,260 S	6/2004	Spink, Jr.	D531,960 S	11/2006	Kondas
D494,141 S *	8/2004	Spink, Jr. D13/147	2001/0023151 A1 *	9/2001	Yoshida 439/680
D494,933 S	8/2004	Lu	2006/0166544 A1 *	7/2006	Tateishi et al. 439/358
6,860,765 B1 *	3/2005	Spink, Jr. 439/680			

* cited by examiner

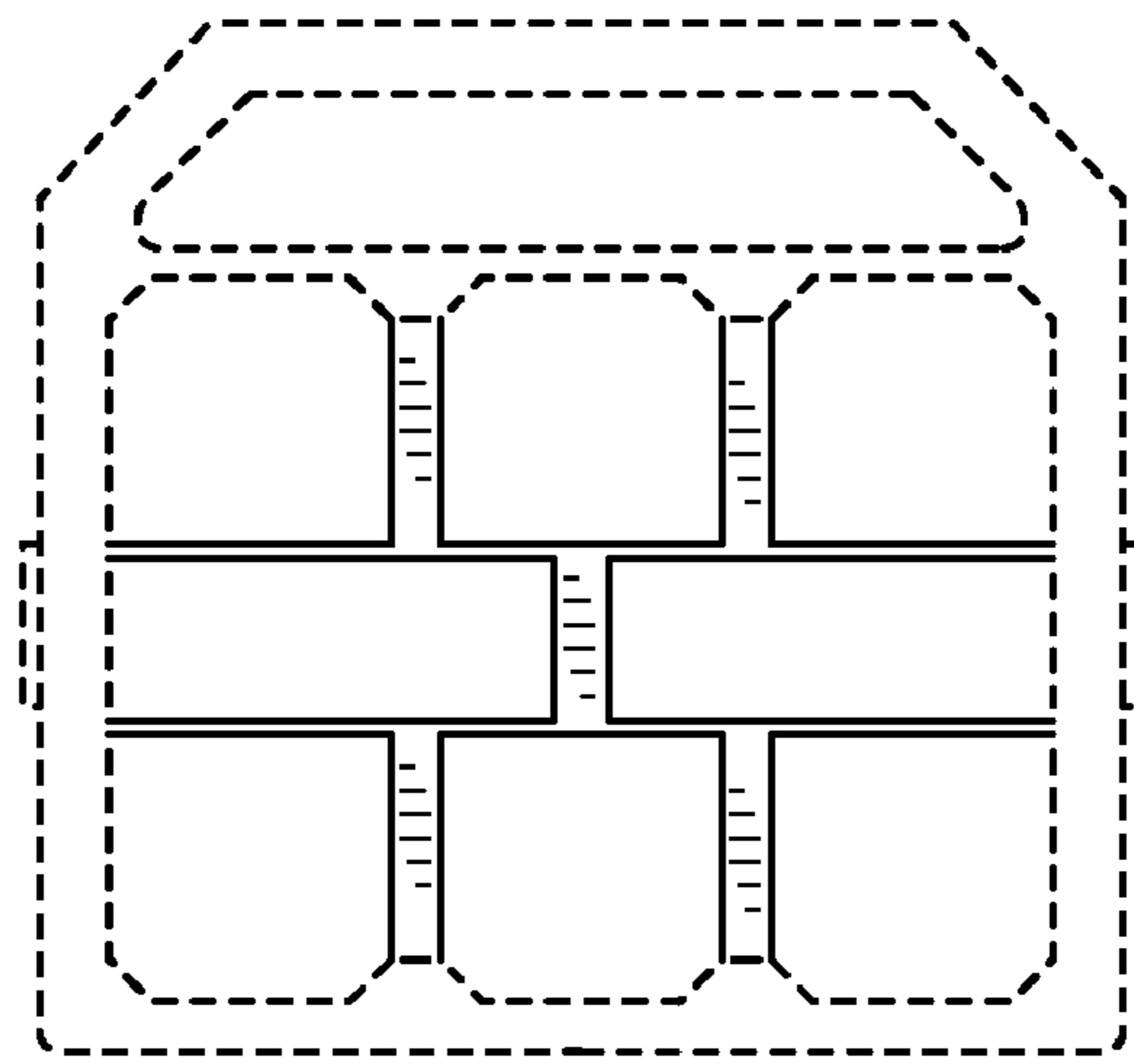


FIG. 1

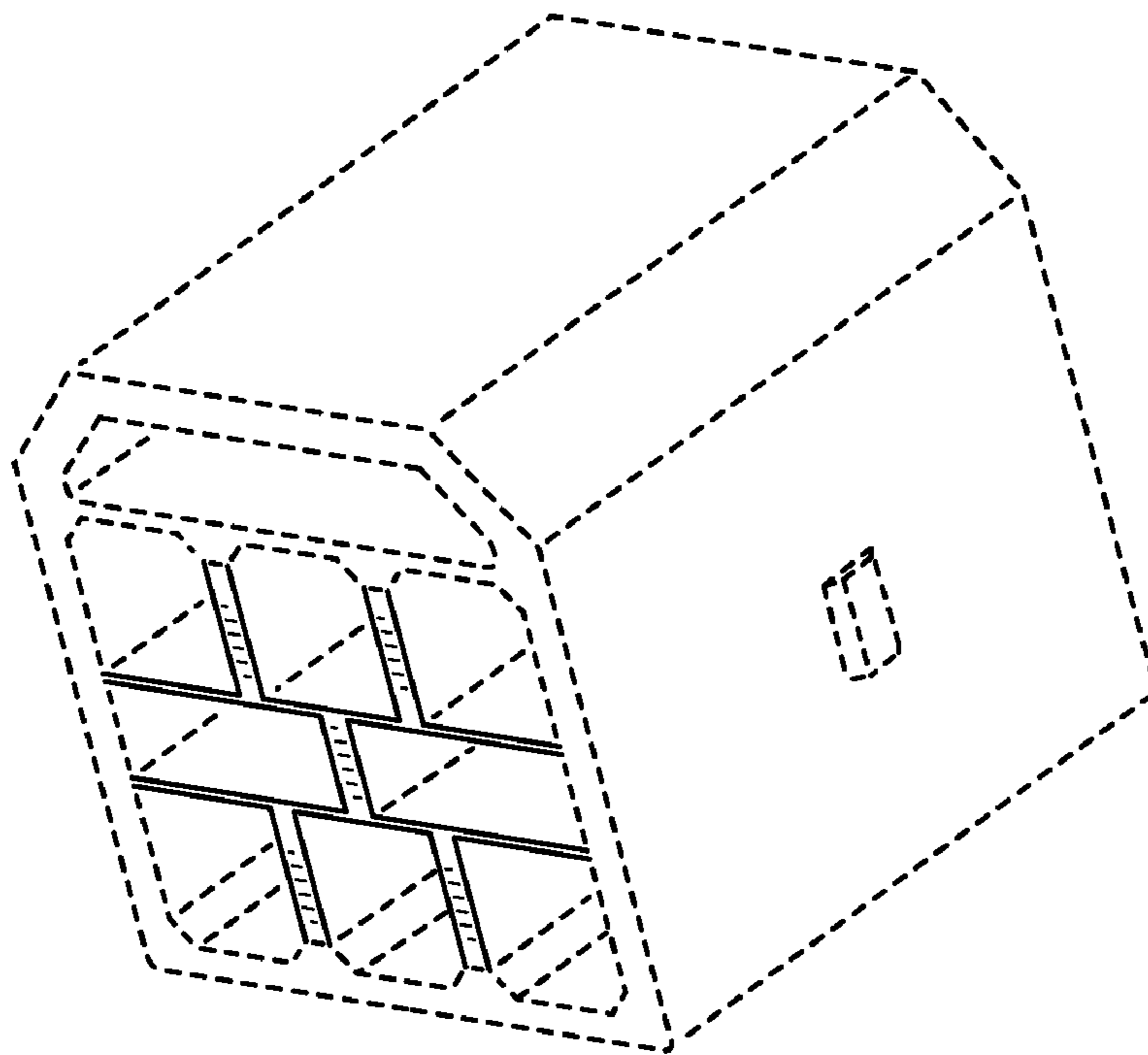


FIG. 2

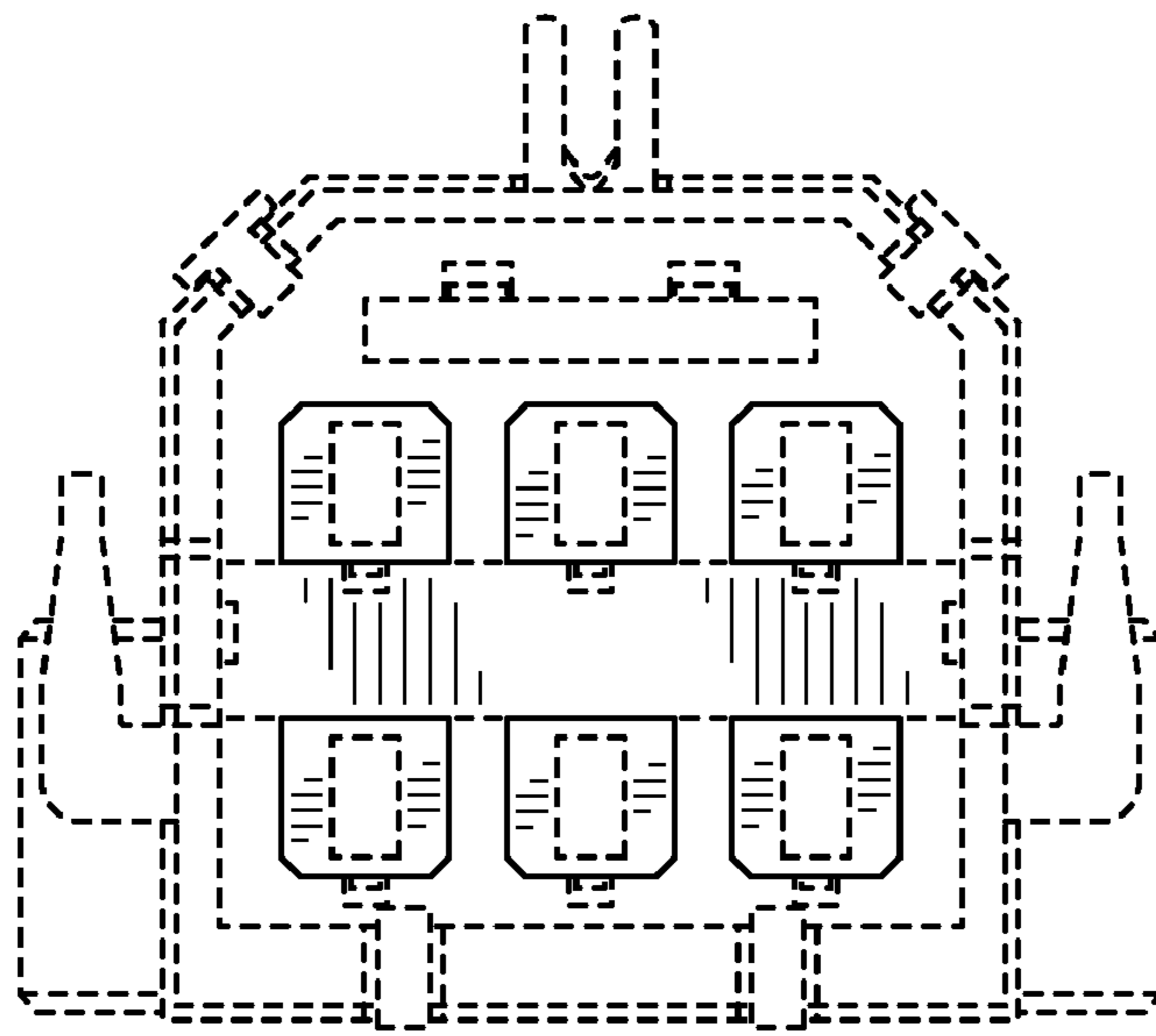


FIG. 3

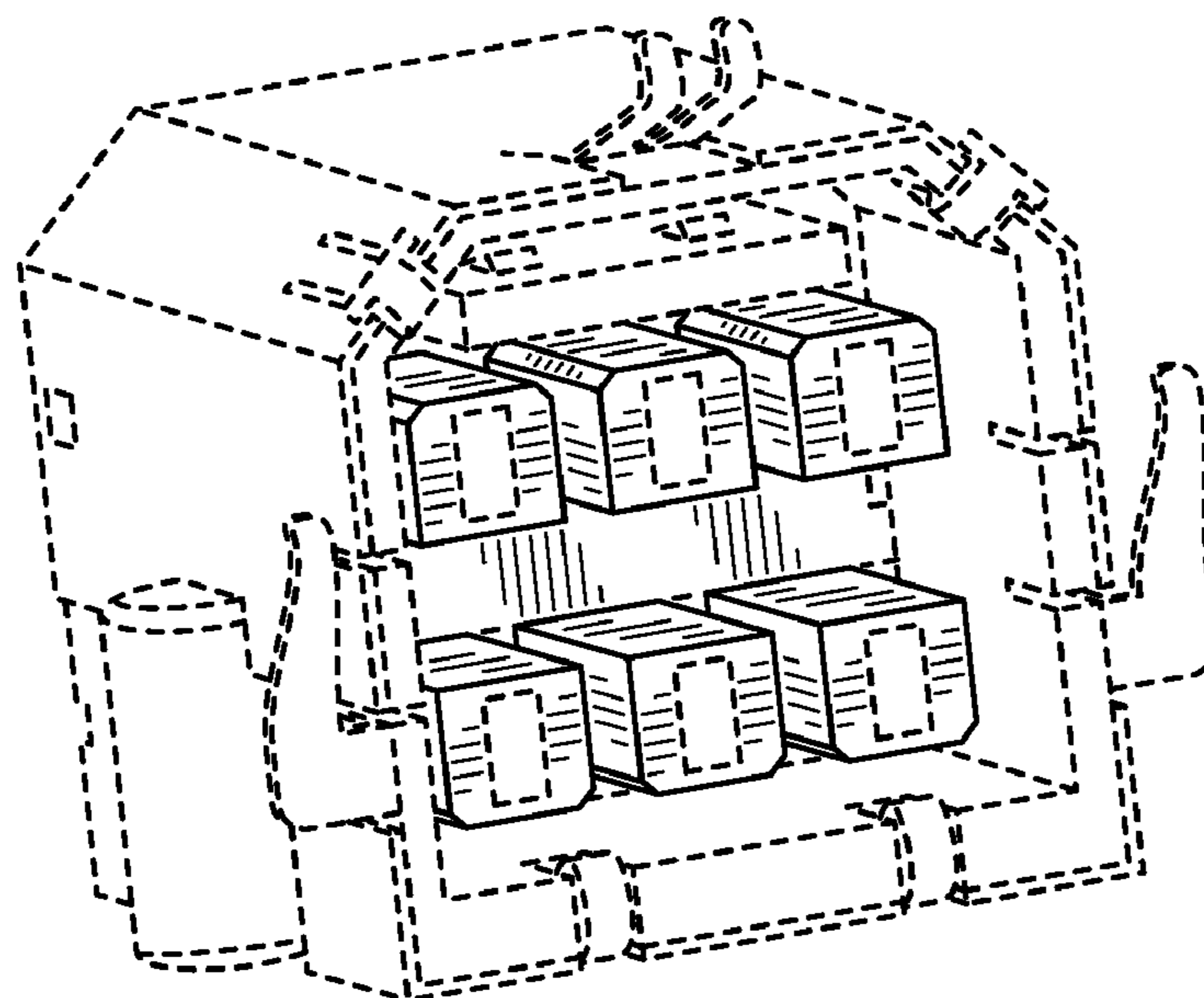


FIG. 4

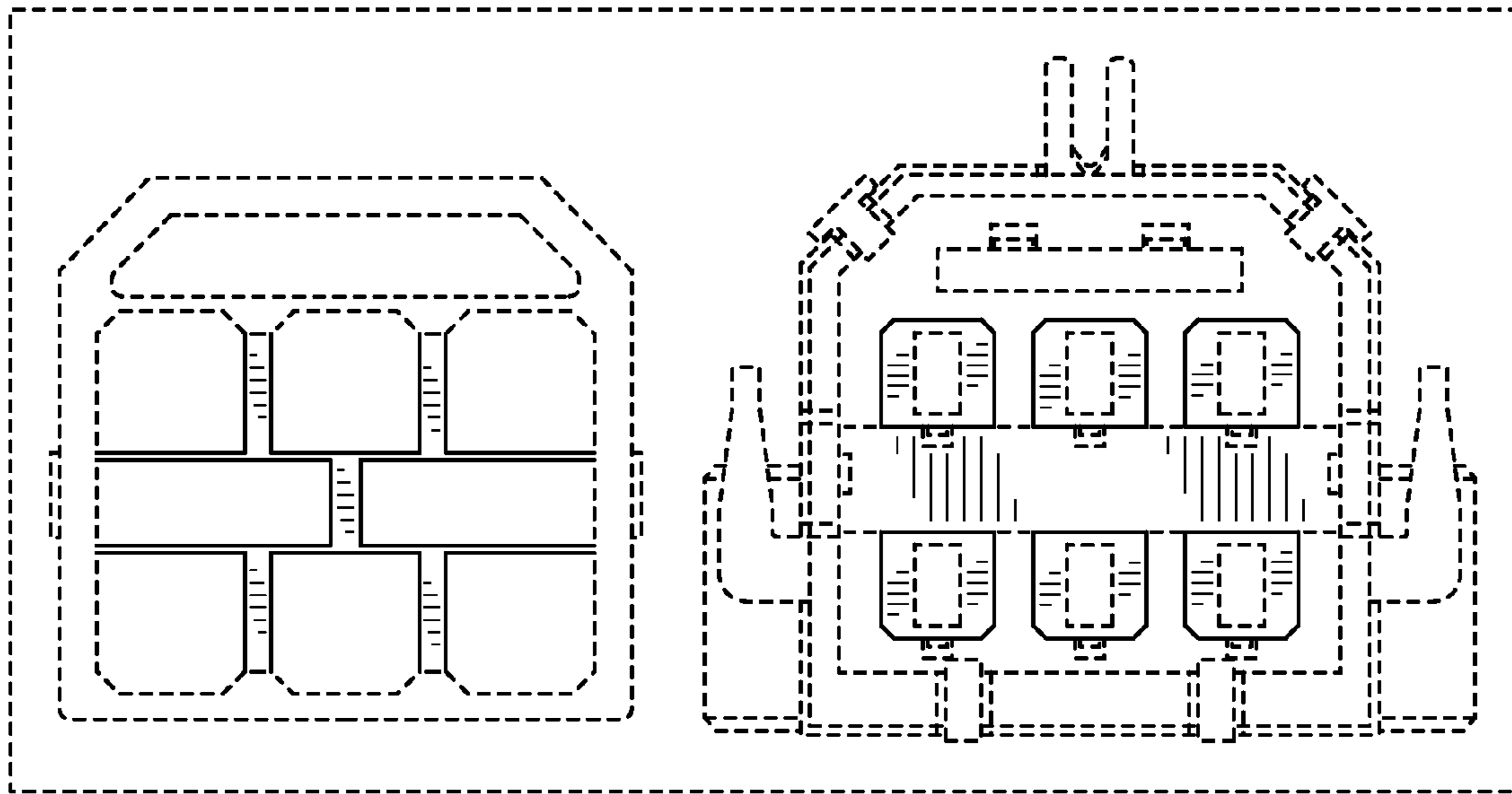


FIG. 5