

US00D544844S

(12) **United States Design Patent**
Askeland et al.

(10) **Patent No.:** **US D544,844 S**

(45) **Date of Patent:** **** Jun. 19, 2007**

- (54) **PORTION OF A CONNECTOR PLUG**
- (75) Inventors: **Roy J. Askeland**, Los Altos, CA (US);
J. David Egner, Sammamish, WA (US)
- (73) Assignee: **Microsoft Corporation**, Redmond, WA (US)
- (**) Term: **14 Years**
- (21) Appl. No.: **29/277,564**
- (22) Filed: **Mar. 1, 2007**
- (51) **LOC (8) Cl.** **13-03**
- (52) **U.S. Cl.** **D13/154; D13/147**
- (58) **Field of Classification Search** D13/146,
D13/147, 154, 184, 199; 439/108, 347, 151-152,
439/351-354, 358, 374, 378-379, 476.1,
439/594, 597, 600, 660, 607-610, 668, 676-680
See application file for complete search history.

- RE37,296 E * 7/2001 Peterson 439/677
- D476,624 S 7/2003 Watanabe et al.
- D478,321 S 8/2003 Peng
- D482,658 S 11/2003 Shao
- D483,017 S 12/2003 Goto
- D488,783 S 4/2004 Goto
- D491,525 S 6/2004 Hwang
- D492,260 S 6/2004 Spink, Jr.
- D494,933 S 8/2004 Lu
- D512,687 S 12/2005 Baker et al.
- D519,924 S 5/2006 Baker et al.
- D524,737 S 7/2006 Lai et al.
- D524,751 S 7/2006 Lee et al.
- D528,984 S 9/2006 Li
- D531,960 S 11/2006 Kondas
- 2001/0023151 A1* 9/2001 Yoshida 439/680
- 2006/0166544 A1* 7/2006 Tateishi et al. 439/358

(56) **References Cited**
U.S. PATENT DOCUMENTS

- D195,171 S 5/1963 Keller
- D210,533 S 3/1968 Pauza
- D234,771 S 4/1975 Saunders
- 4,188,080 A * 2/1980 Streble 439/607
- D272,061 S 1/1984 Moriai et al.
- D308,513 S 6/1990 Endo et al.
- D310,993 S * 10/1990 Ohkura et al. D13/146
- D319,043 S 8/1991 Hayashi et al.
- D323,141 S 1/1992 Sueyoshi et al.
- D323,152 S * 1/1992 Nagasaka et al. D13/147
- D328,278 S 7/1992 Nagasaka et al.
- 5,342,221 A * 8/1994 Peterson 439/677
- D389,121 S 1/1998 Kuprewicz et al.
- D410,629 S 6/1999 Bandura et al.
- D426,194 S 6/2000 Ko et al.
- 6,135,815 A * 10/2000 Ko et al. 439/607
- 6,159,054 A * 12/2000 Ko 439/680
- 6,183,287 B1 * 2/2001 Po 439/358

OTHER PUBLICATIONS

Pictures of Microsoft Xbox 360 Power Supply Cable, 3 sheets.
Pictures of Microsoft Xbox 360 Rear Panel Power Socket Connection, 2 sheets.

* cited by examiner

Primary Examiner—Daniel Bui
(74) *Attorney, Agent, or Firm*—Banner & Witcoff, Ltd.

(57) **CLAIM**

The ornamental design for a portion of a connector plug, as shown and described.

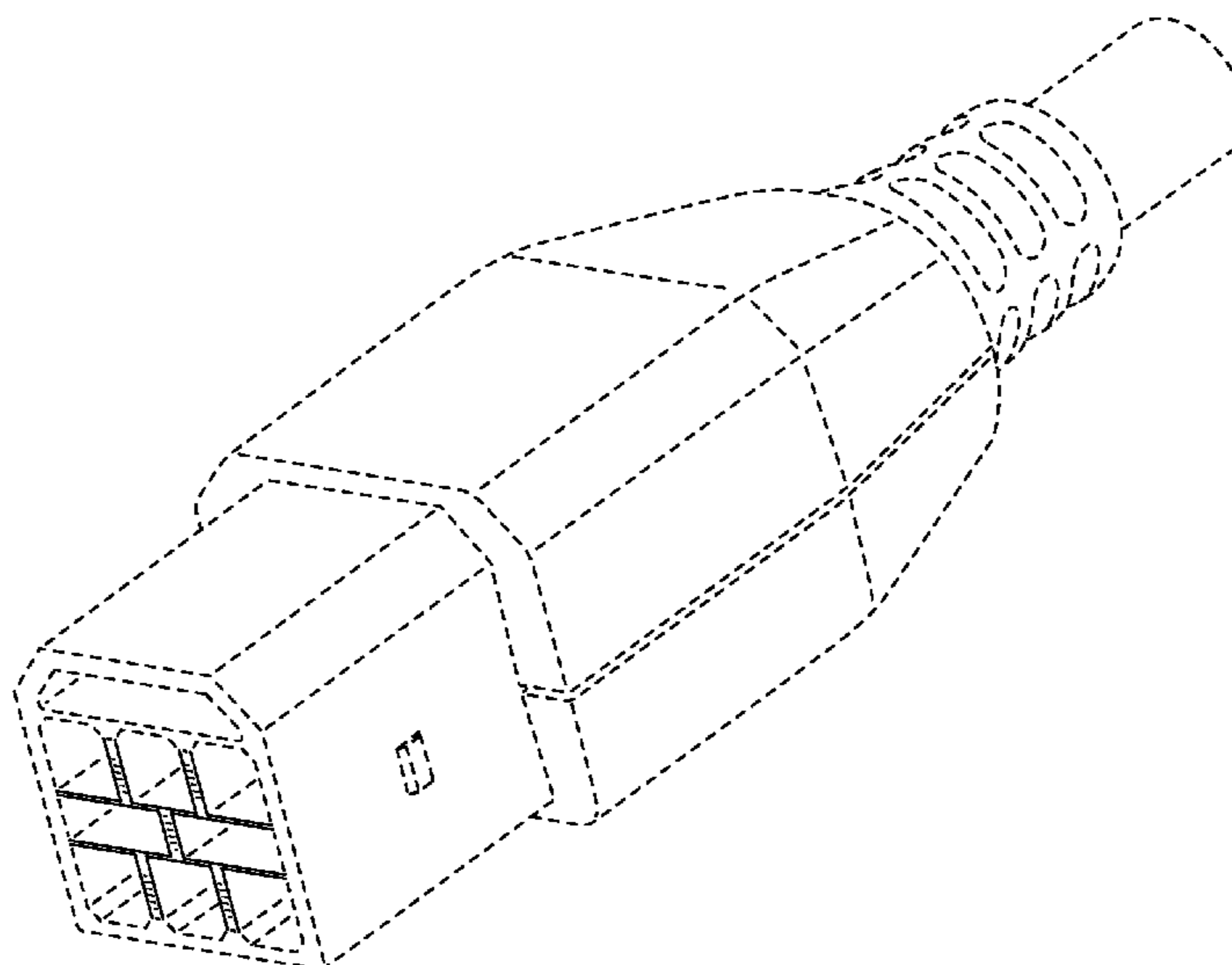
DESCRIPTION

FIG. 1 is a front view of a connector plug showing our new design; and,

FIG. 2 is a perspective view thereof.

The broken line showing of the remainder of the connector plug is for illustrative purposes only and forms no part of the claimed design.

1 Claim, 1 Drawing Sheet



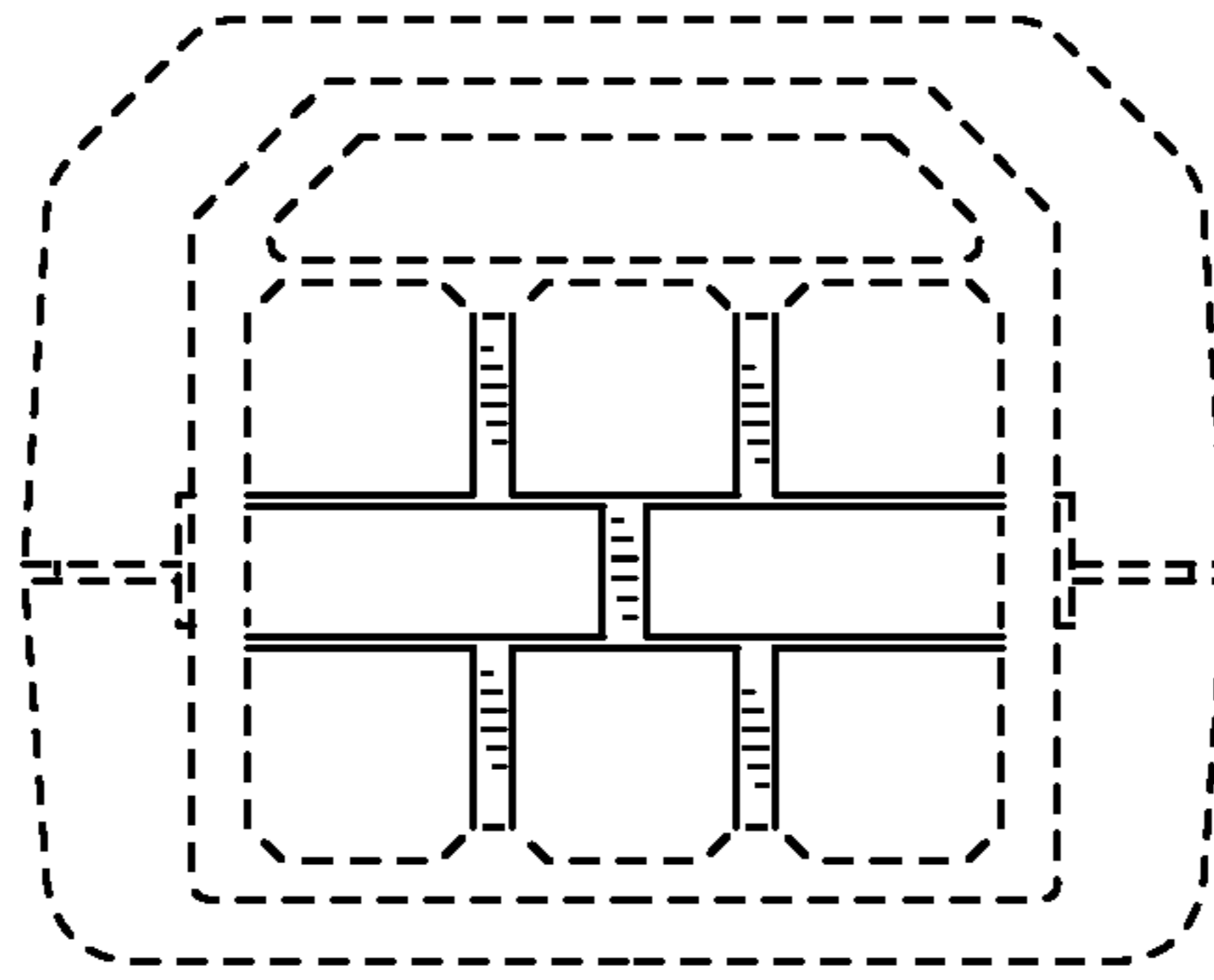


FIG. 1

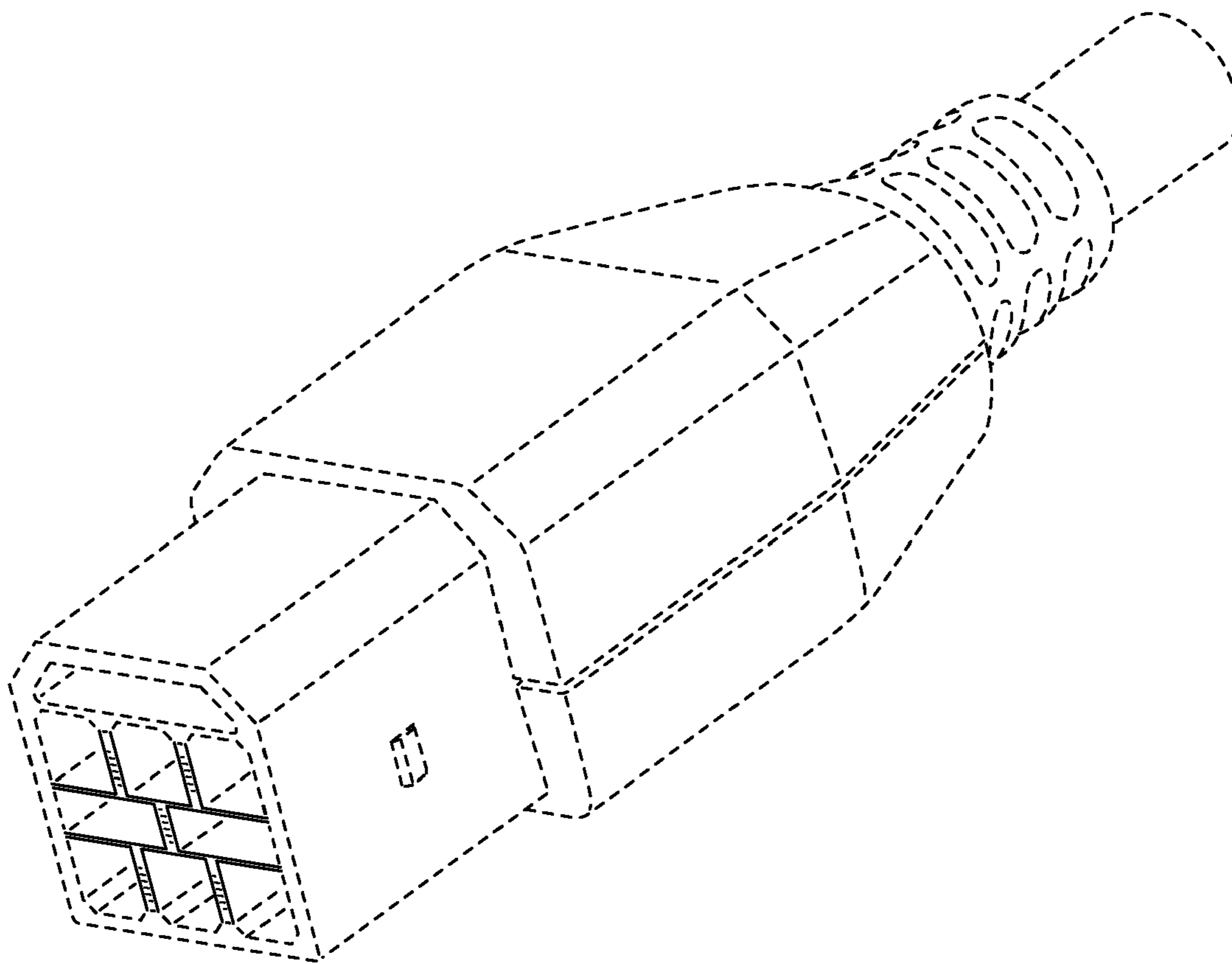


FIG. 2