

US00D544843S

(12) **United States Design Patent**
Sugita et al.

(10) **Patent No.:** **US D544,843 S**
(45) **Date of Patent:** **** Jun. 19, 2007**

(54) **CONNECTOR RING**
(75) Inventors: **Takashi Sugita**, Yokkaichi (JP);
Hiroshi Kobayashi, Toyota (JP);
Yoshirou Kakuda, Toyota (JP)
(73) Assignee: **Sumitomo Wiring Systems, Ltd.** (JP)
(**) Term: **14 Years**
(21) Appl. No.: **29/247,876**
(22) Filed: **Jul. 18, 2006**

(30) **Foreign Application Priority Data**
Jan. 20, 2006 (JP) 2006-001185

(51) **LOC (8) Cl.** **13-03**
(52) **U.S. Cl.** **D13/148; D13/133**
(58) **Field of Classification Search** D13/123,
D13/133, 146-148, 154, 184, 199; 439/152,
439/559, 607-610
See application file for complete search history.

(56) **References Cited**
U.S. PATENT DOCUMENTS

D324,027 S * 2/1992 Sueyoshi et al. D13/133
D459,309 S * 6/2002 Tanaka D13/147

6,612,854 B2 * 9/2003 Takata 439/157
D503,150 S * 3/2005 Yamawaki et al. D13/147
7,011,536 B2 * 3/2006 Okamoto et al. 439/157
D528,984 S * 9/2006 Li D13/147
2006/0172600 A1 * 8/2006 Sakakura et al. 439/607
2006/0172602 A1 * 8/2006 Sakakura et al. 439/610
2006/0270255 A1 * 11/2006 Ishikawa et al. 439/141

* cited by examiner

Primary Examiner—Daniel Bui
(74) *Attorney, Agent, or Firm*—Akerman Senterfitt

(57) **CLAIM**

The ornamental design for a connector ring, as shown and described.

DESCRIPTION

FIG. 1 is a rear perspective view of a connector ring showing our new design;
FIG. 2 is a front view thereof;
FIG. 3 is a rear view thereof;
FIG. 4 is a top plan view thereof, bottom plan view being a reversed image thereof; and,
FIG. 5 is a right side elevational view thereof, left side elevational view being a mirror image thereof.

1 Claim, 3 Drawing Sheets

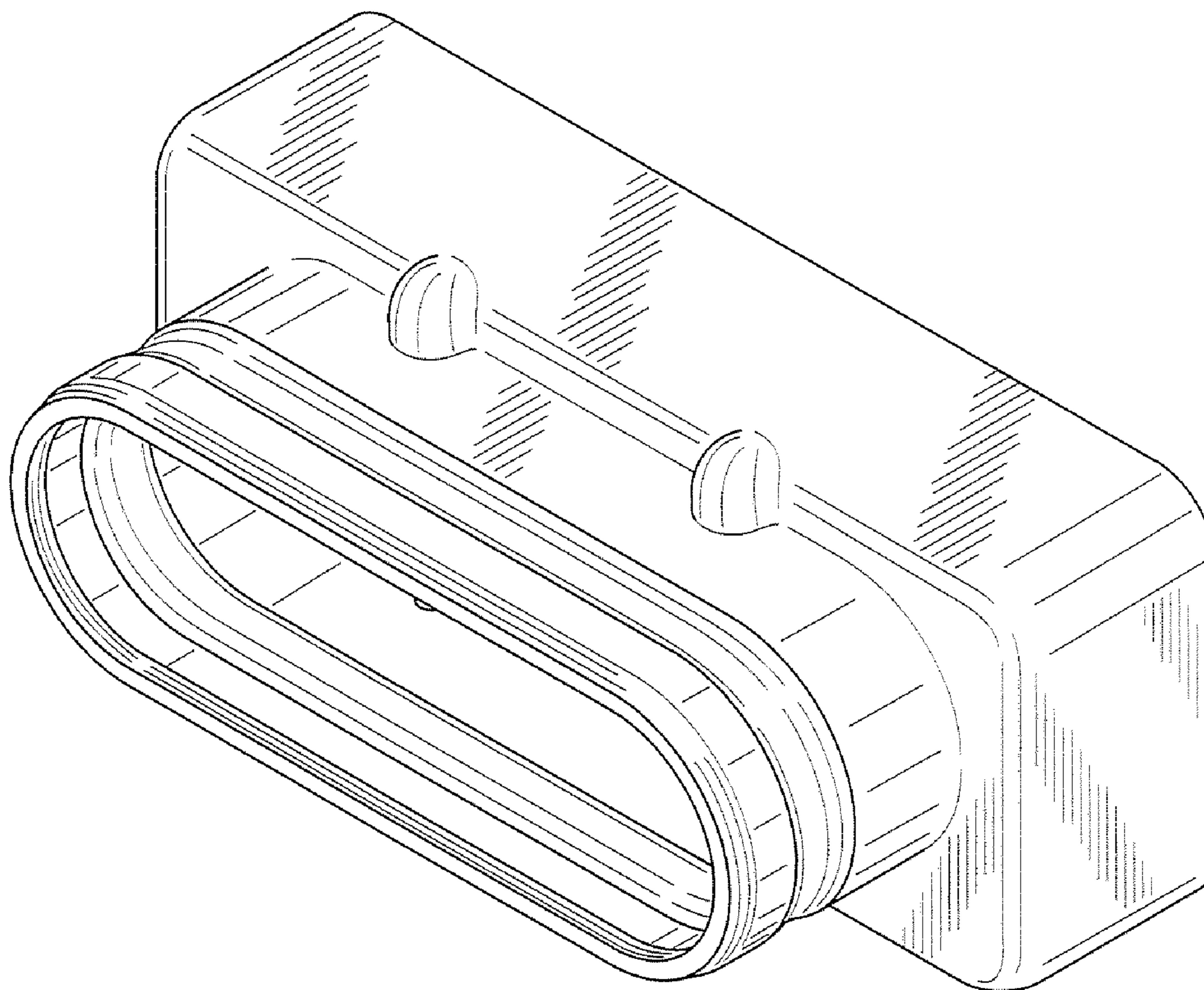


FIG. 1

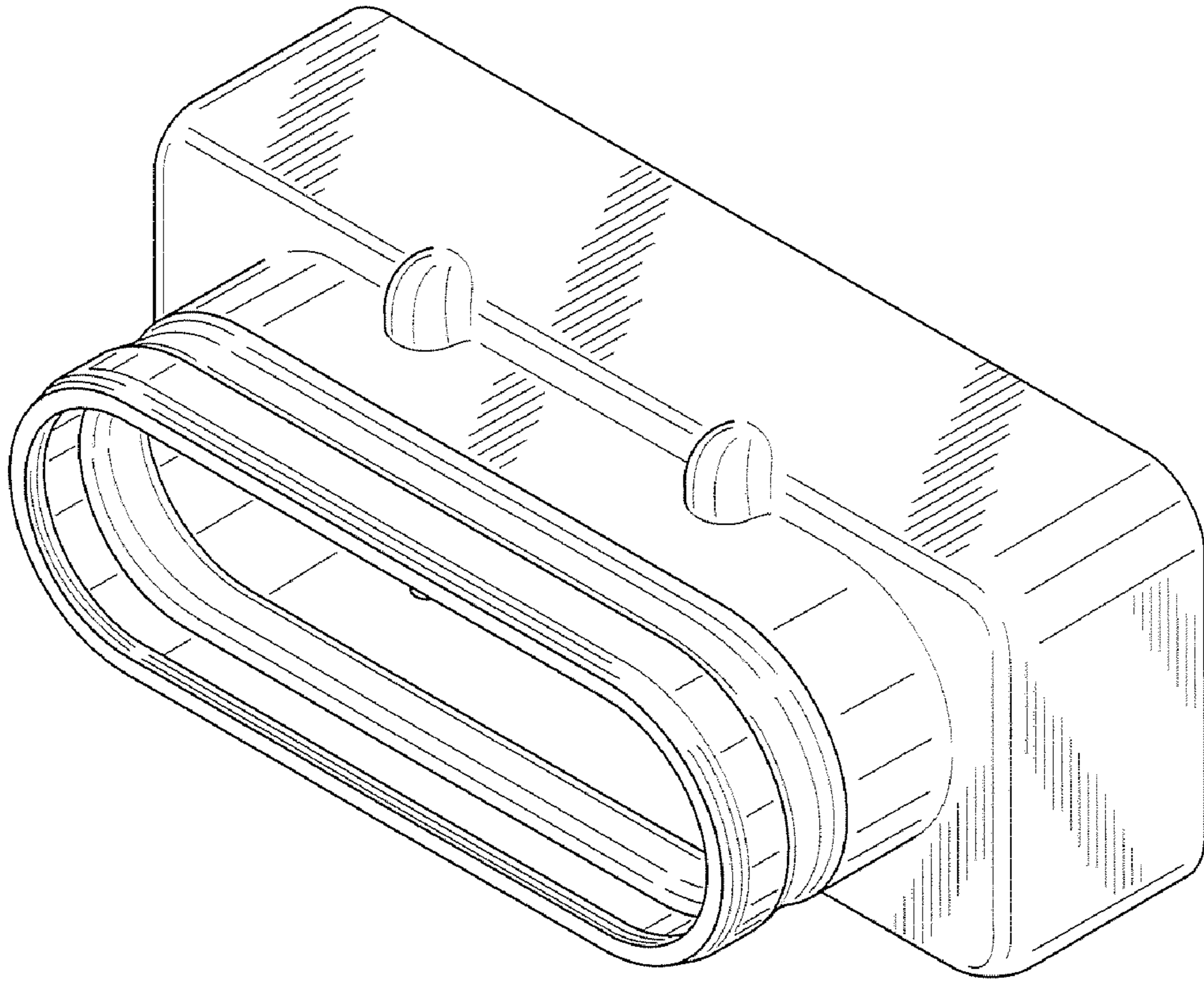


FIG. 2

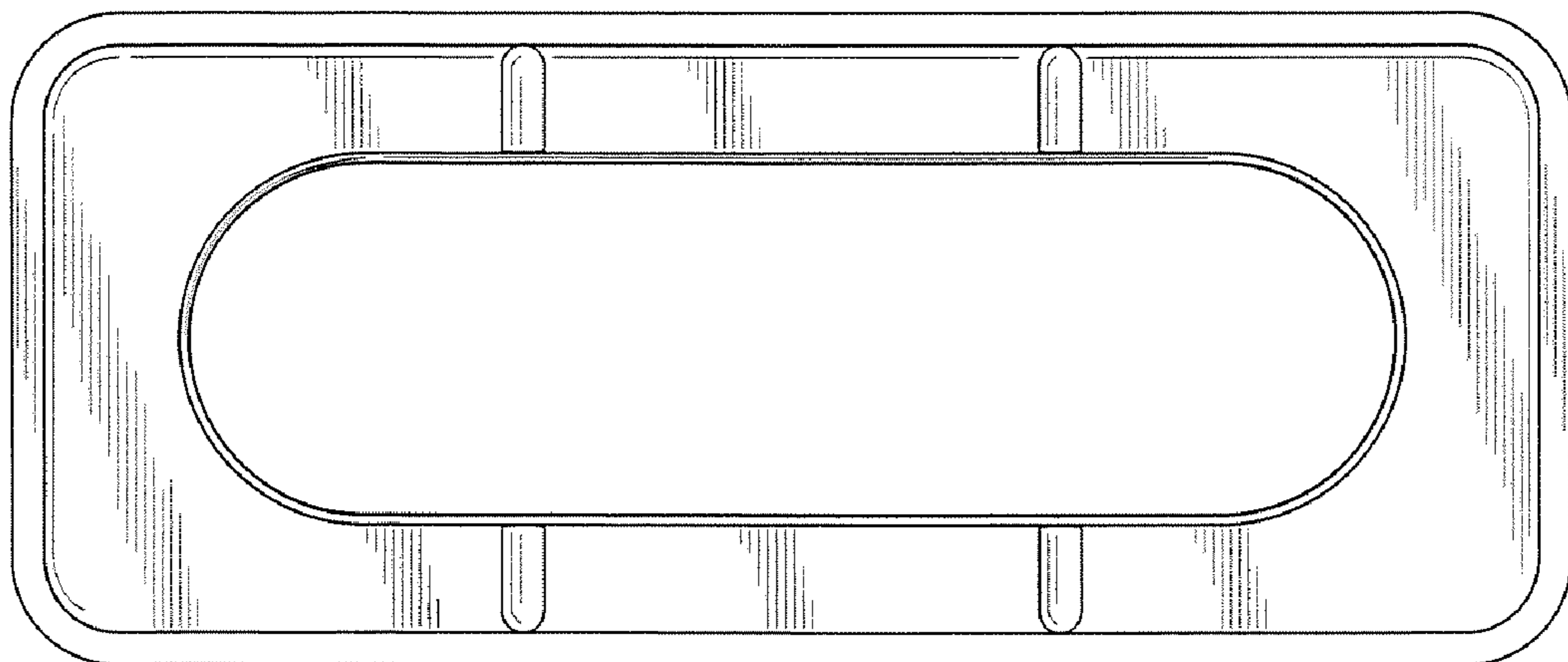


FIG. 3

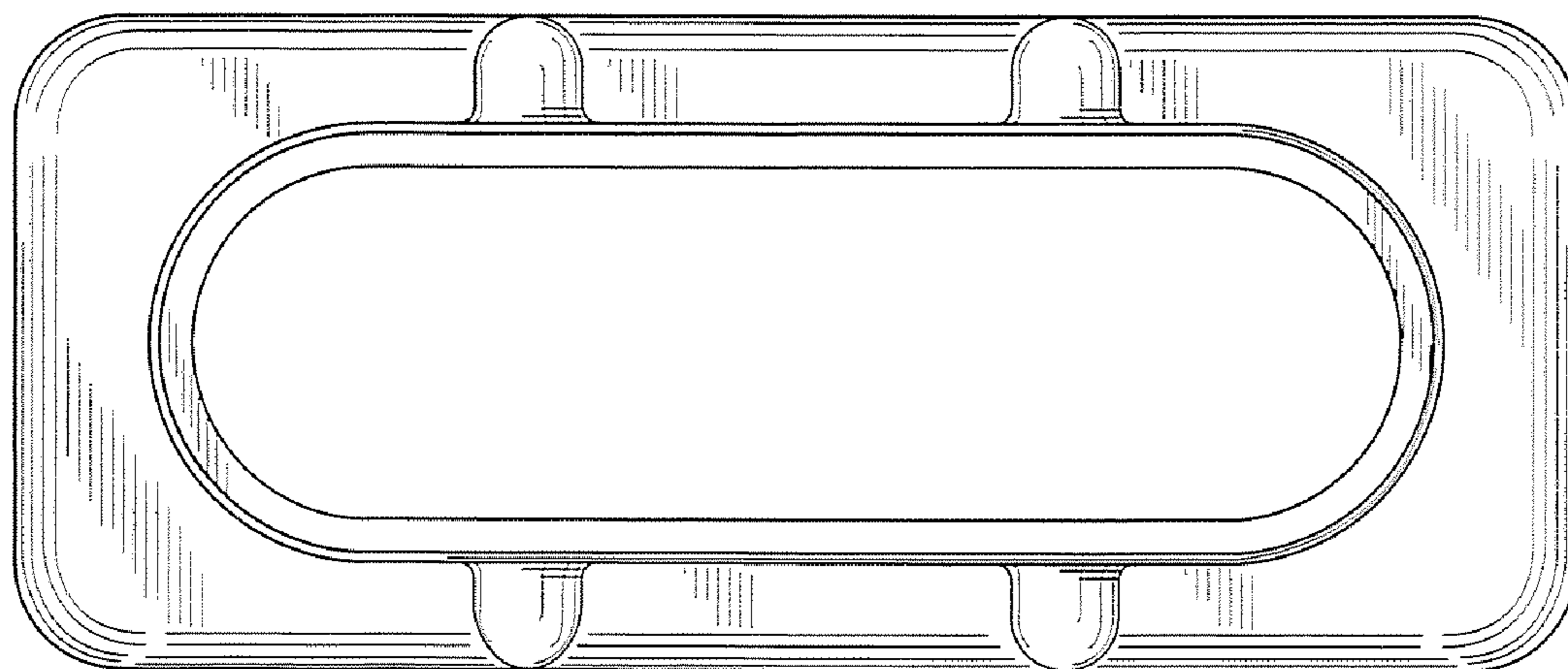


FIG. 4

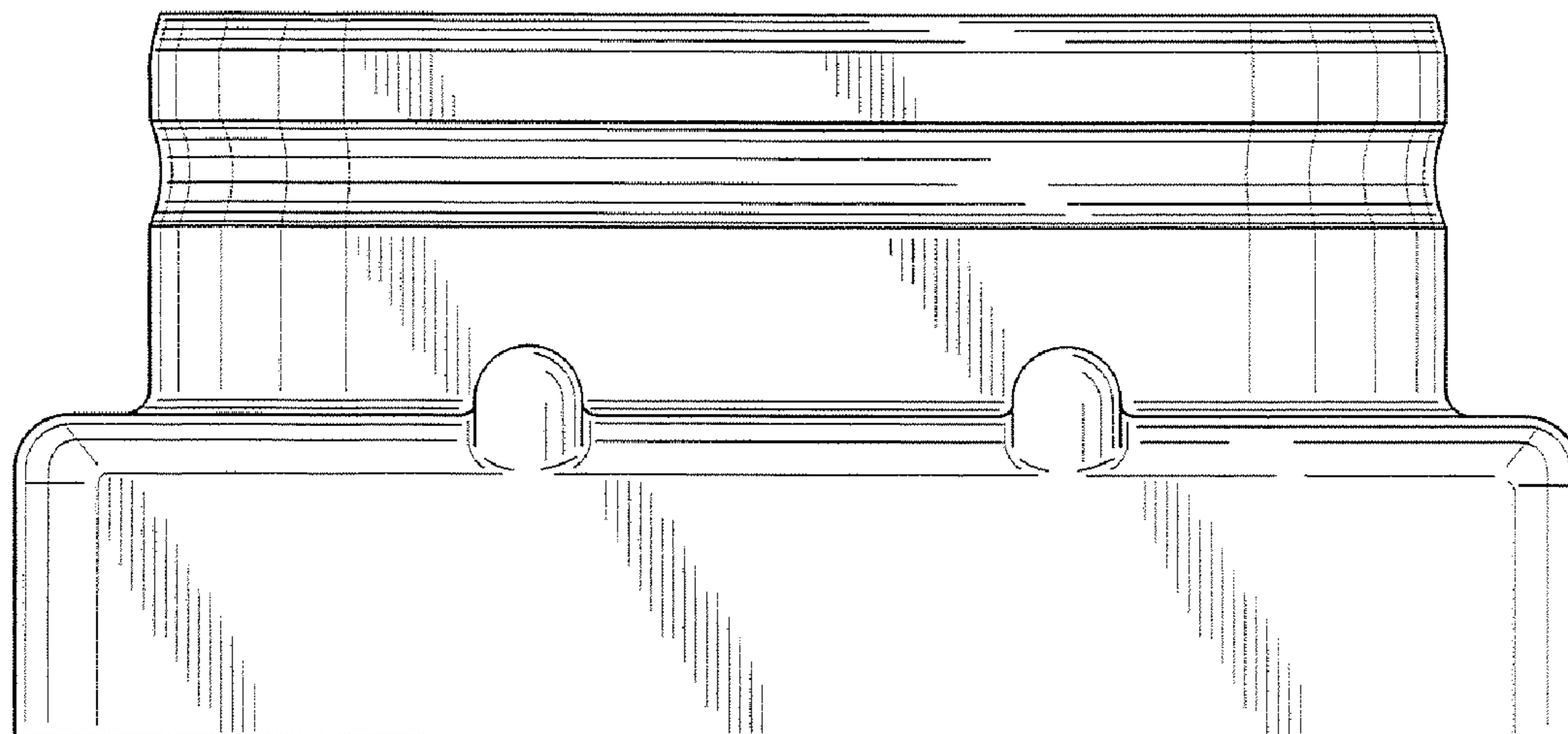


FIG. 5

