

US00D544842S

(12) **United States Design Patent**  
**Nishio et al.**

(10) **Patent No.:** **US D544,842 S**

(45) **Date of Patent:** **\*\* Jun. 19, 2007**

(54) **CONNECTOR**

(75) Inventors: **Atsushi Nishio**, Tama (JP); **Isao Suzuki**, Tama (JP); **Masaki Sawafuji**, Tama (JP)

(73) Assignee: **Mitsumi Electric Co., Ltd.**, Tokyo (JP)

(\*\*) Term: **14 Years**

(21) Appl. No.: **29/260,433**

(22) Filed: **May 25, 2006**

(30) **Foreign Application Priority Data**

Feb. 10, 2006 (JP) ..... 2006-002989

(51) **LOC (8) Cl.** ..... **13-03**

(52) **U.S. Cl.** ..... **D13/147**

(58) **Field of Classification Search** ..... D13/133,  
D13/146-147, 154, 184, 199; D14/432-436,  
D14/438; 439/326, 330-331, 341-342, 630  
See application file for complete search history.

(56) **References Cited**

**U.S. PATENT DOCUMENTS**

D469,772 S \* 2/2003 Nishio et al. .... D14/433  
6,863,571 B2 \* 3/2005 Sato et al. .... 439/630  
6,929,513 B2 \* 8/2005 Fan ..... 439/630

D518,783 S \* 4/2006 Takagi et al. .... D13/147  
D520,957 S \* 5/2006 Chang et al. .... D13/147  
D530,284 S \* 10/2006 Su ..... D13/147  
2004/0127079 A1 \* 7/2004 Nagata ..... 439/159  
2006/0057894 A1 \* 3/2006 Tsai ..... 439/630

\* cited by examiner

*Primary Examiner*—Daniel Bui

(74) *Attorney, Agent, or Firm*—Sughrue Mion, PLLC

(57) **CLAIM**

The ornamental design for a connector, as shown and described.

**DESCRIPTION**

FIG. 1 is a perspective view of the top, front and left side of a connector showing our new design;

FIG. 2 is a front elevational view thereof;

FIG. 3 is a rear elevational view thereof;

FIG. 4 is a right side elevational view thereof;

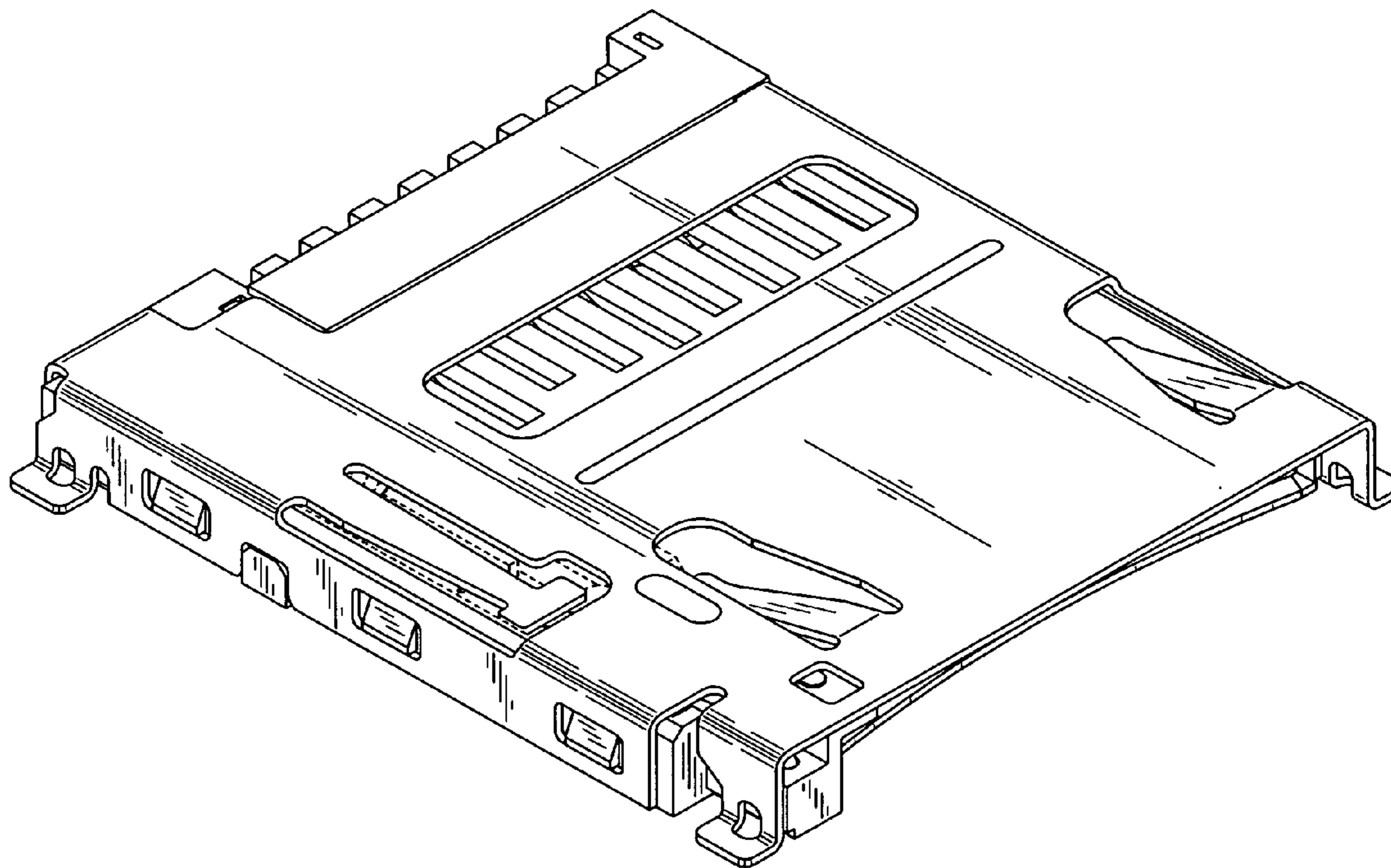
FIG. 5 is a left side elevational view thereof;

FIG. 6 is a top plan view thereof; and,

FIG. 7 is a bottom plan view thereof.

The broken line showing of the environment is for illustrative purposes only and forms no part of the claimed design.

**1 Claim, 4 Drawing Sheets**



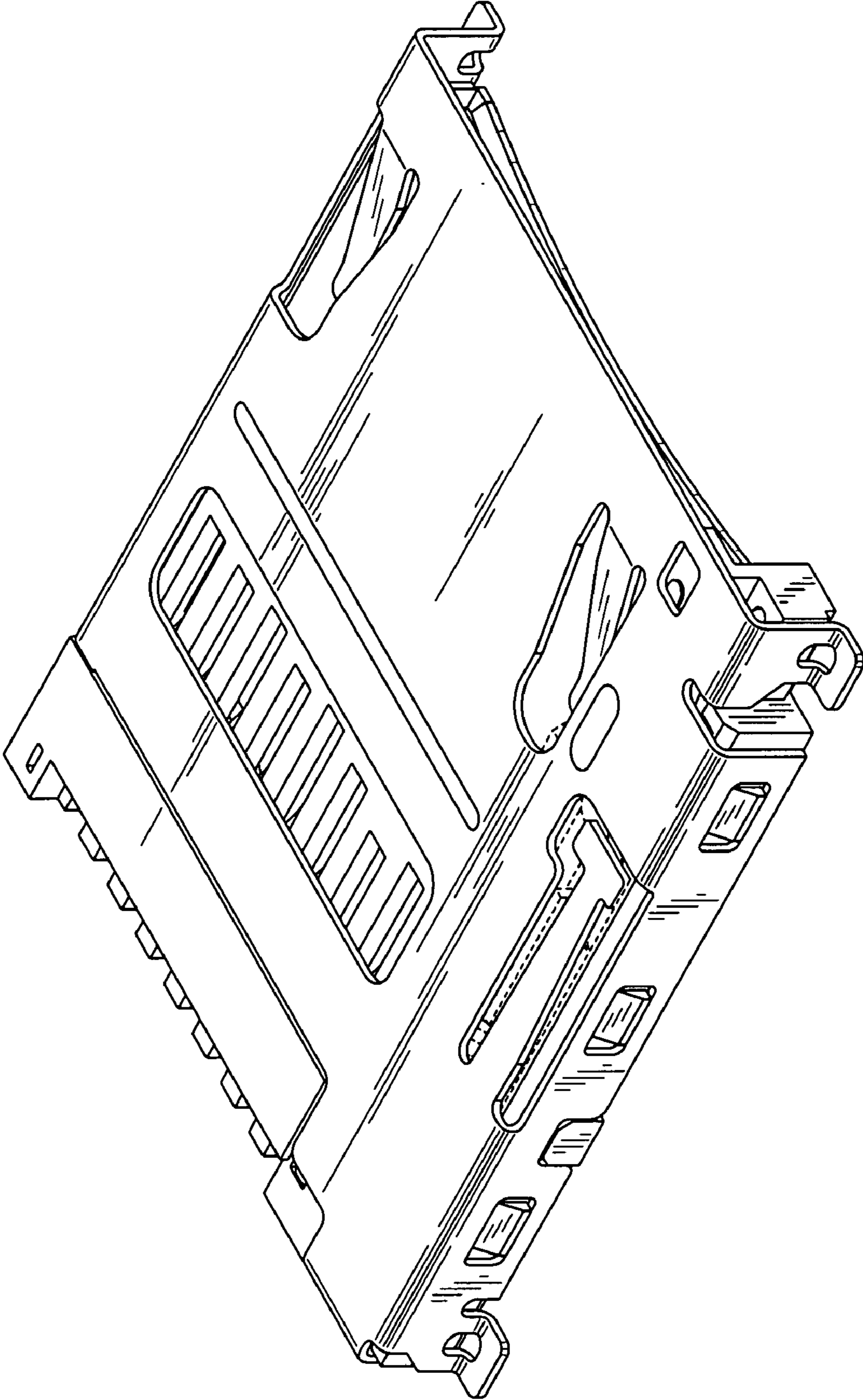
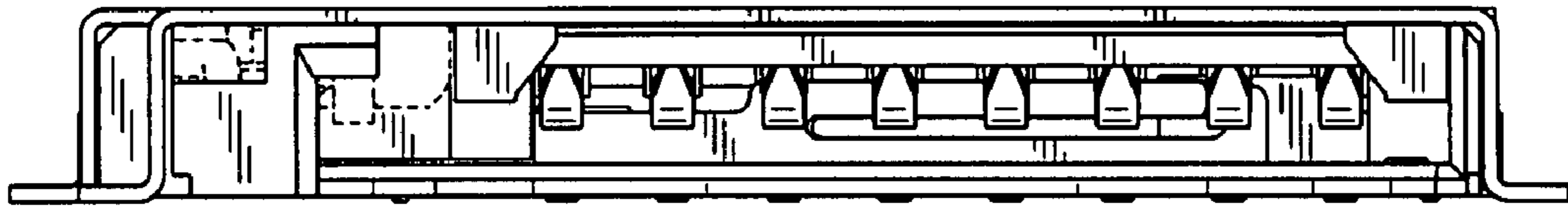
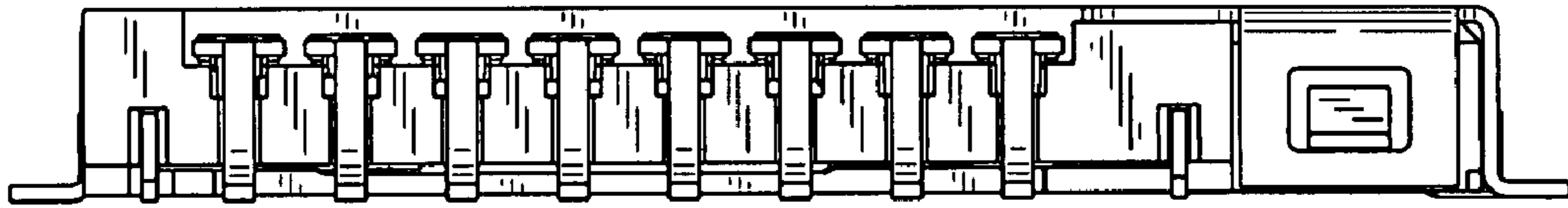


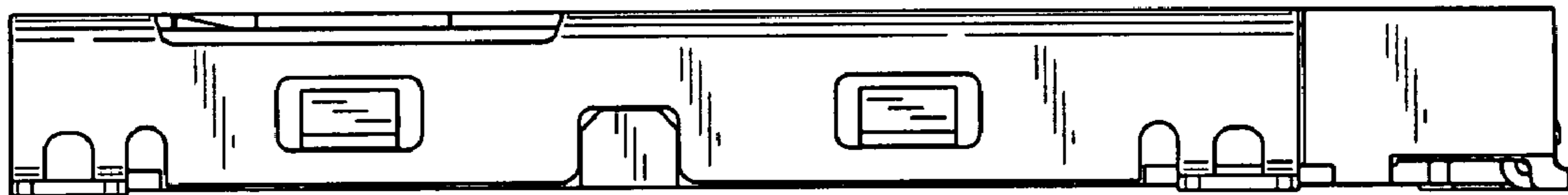
FIG. 1



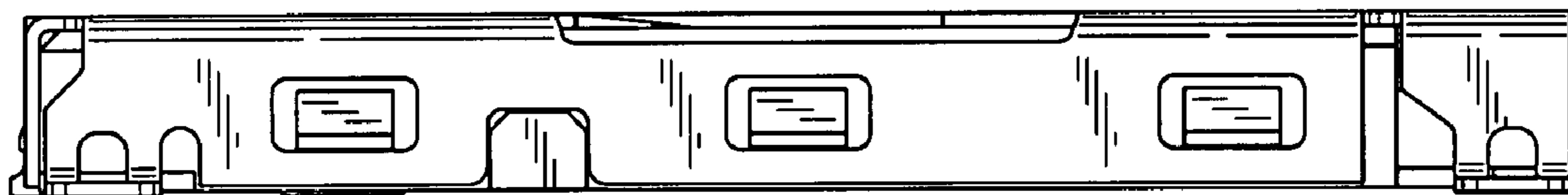
*FIG. 2*



*FIG. 3*



*FIG. 4*



*FIG. 5*

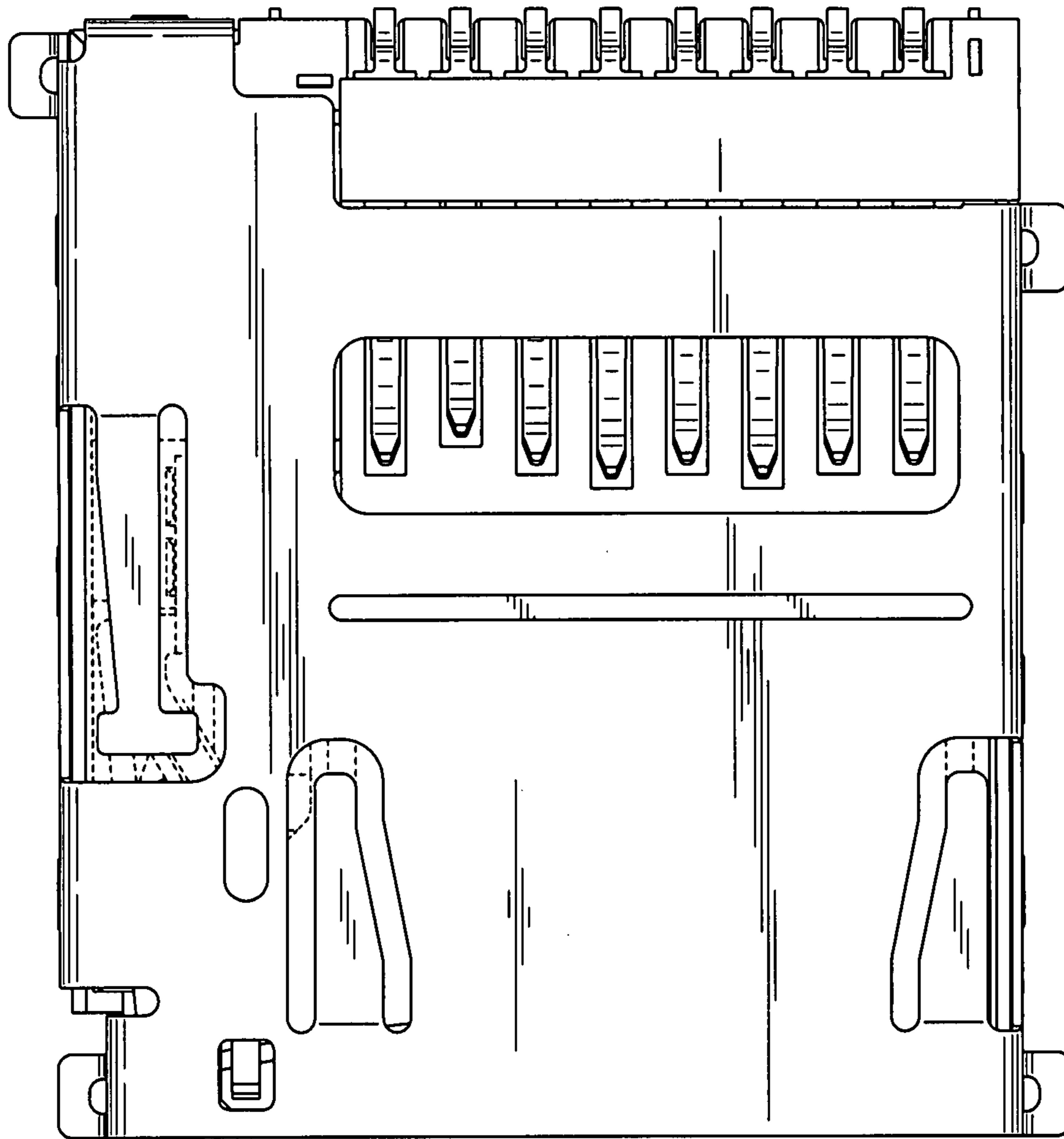


FIG. 6

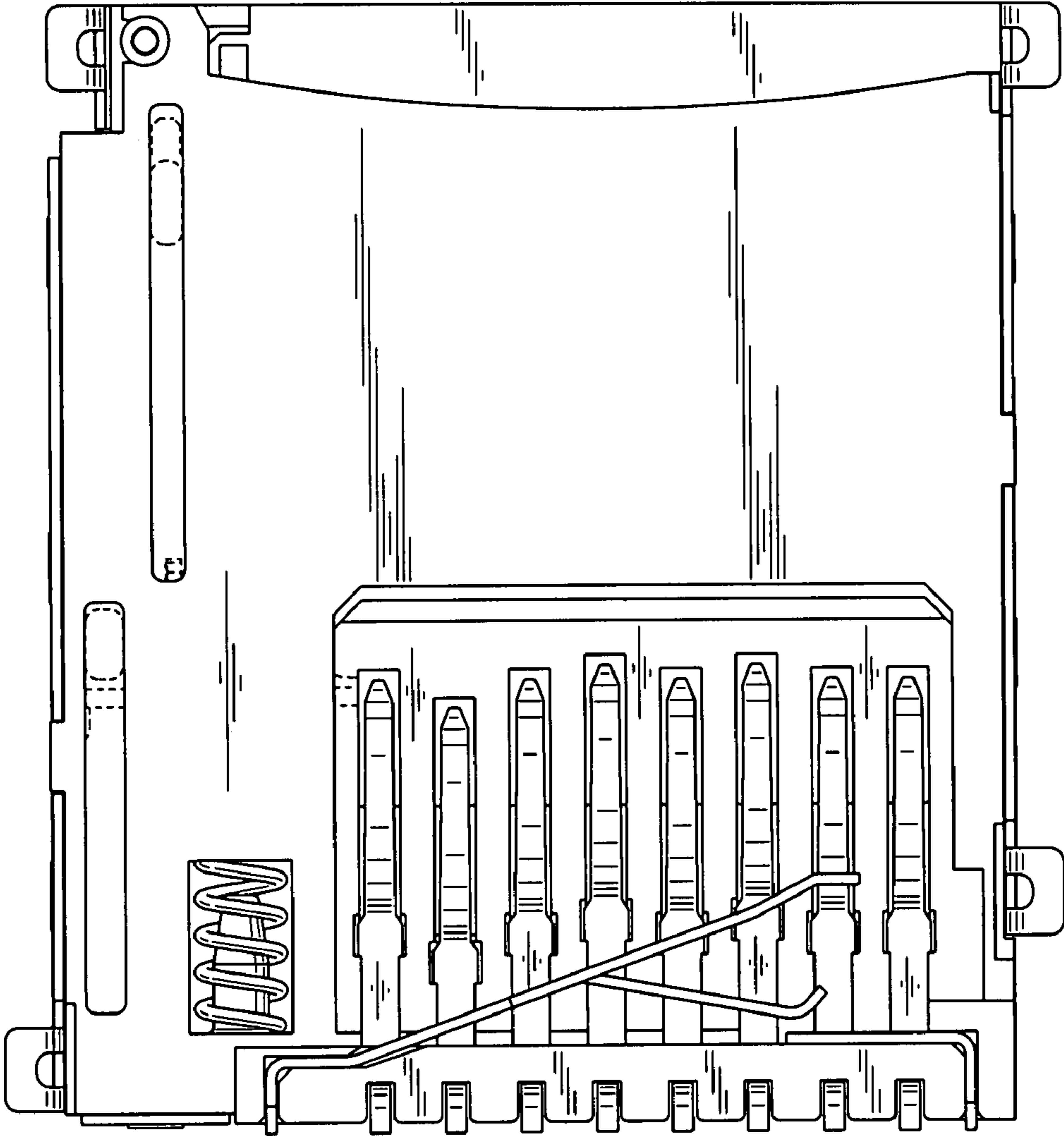


FIG. 7