



US00D544840S

(12) **United States Design Patent**
Hargreaves et al.

(10) **Patent No.:** **US D544,840 S**

(45) **Date of Patent:** **** Jun. 19, 2007**

(54) **MALE 4 PRONG RECEPTACLE**

(75) Inventors: **Craig Hargreaves**, Vancouver, WA
(US); **Brian Allison**, Vancouver, WA
(US)

(73) Assignee: **IP Holdings, LLC**, Vancouver, WA
(US)

(**) Term: **14 Years**

(21) Appl. No.: **29/222,375**

(22) Filed: **Jan. 31, 2005**

(51) **LOC (8) Cl.** **13-03**

(52) **U.S. Cl.** **D13/146; D13/147**

(58) **Field of Classification Search** D13/133,
D13/137.1, 137.2, 138.1, 138.2, 139.1, 146-147,
D13/154, 184; 439/92, 106, 151-152, 246,
439/266, 278, 374, 476.1, 527, 606, 892
See application file for complete search history.

(56) **References Cited**

U.S. PATENT DOCUMENTS

D314,750 S * 2/1991 Wegrzyn et al. D13/146
5,603,638 A * 2/1997 Brown et al. 439/606
D399,822 S * 10/1998 Starec et al. D13/139.1

D400,173 S * 10/1998 Starec et al. D13/138.1
6,074,234 A * 6/2000 Hasegawa 439/357
6,290,512 B1 * 9/2001 Mullen, Jr. 439/106
D460,049 S * 7/2002 McCoy D13/147
D472,883 S * 4/2003 Harvey D13/173
D492,652 S * 7/2004 McCoy D13/147
D493,428 S * 7/2004 McCoy D13/147
6,997,723 B2 * 2/2006 Lee 439/92

* cited by examiner

Primary Examiner—Daniel Bui

(74) *Attorney, Agent, or Firm*—Robert J. Ireland

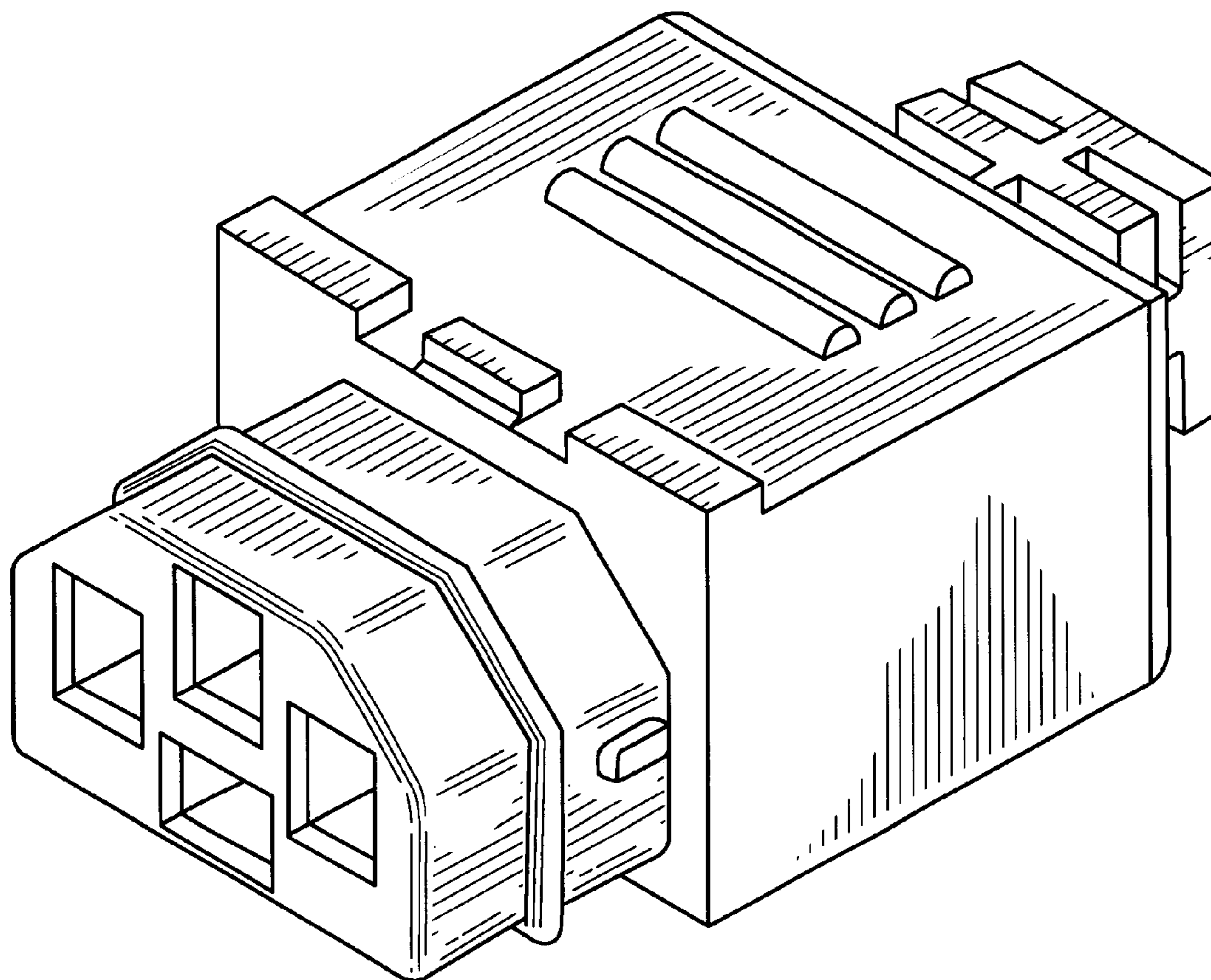
(57) **CLAIM**

The ornamental design for a male 4 prong receptacle, as shown and described.

DESCRIPTION

FIG. 1 is a top, front and right side perspective view of a male 4 prong receptacle, showing our new design; FIG. 2 is a front elevation view thereof, on a larger scale; FIG. 3 is a left side elevation view thereof; the right side elevation view is a mirror image thereto; FIG. 4 is a top plan view thereof; FIG. 5 is a bottom plan view thereof; and, FIG. 6 is a back elevation view thereof, on a larger scale.

1 Claim, 4 Drawing Sheets



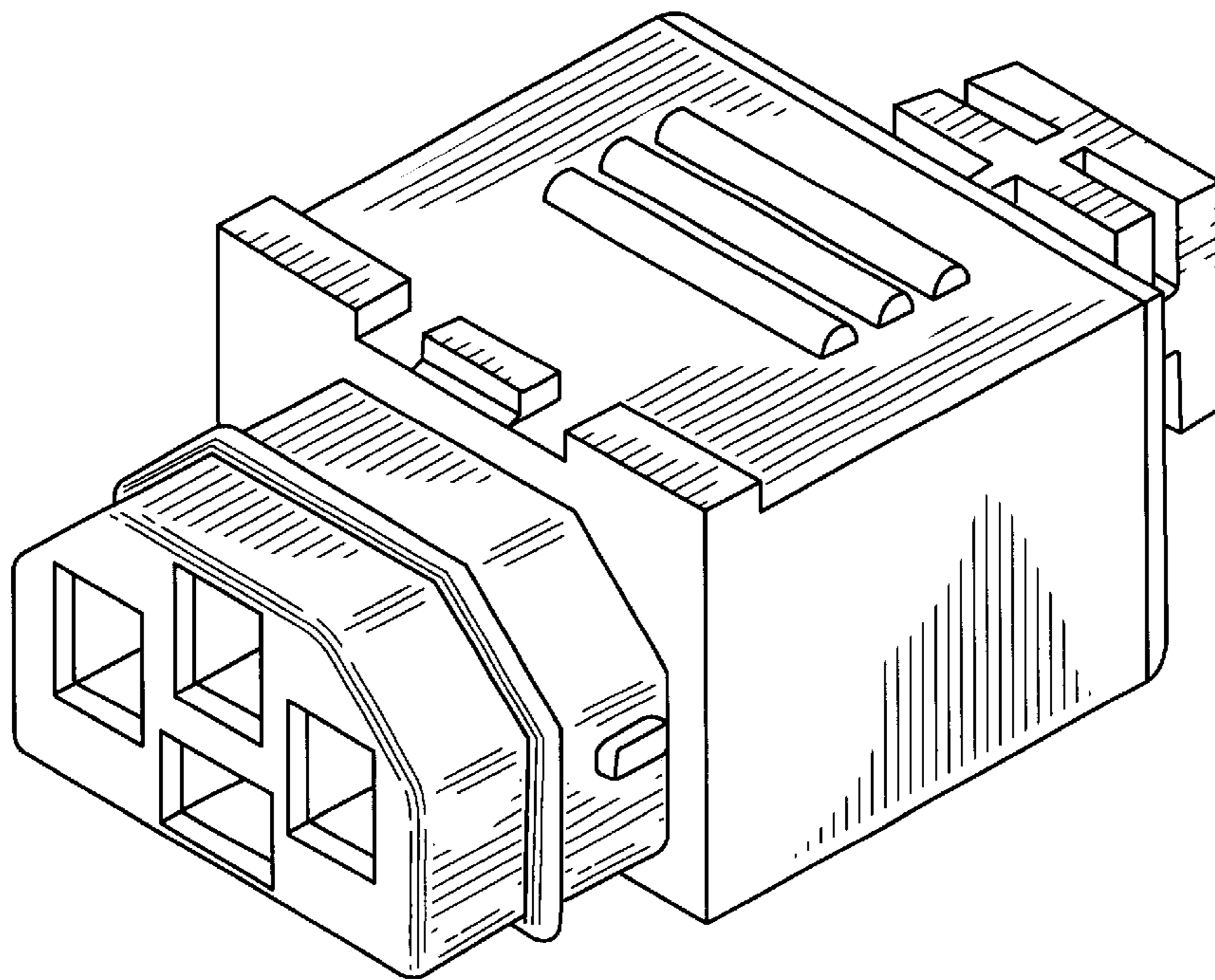


FIG. 1

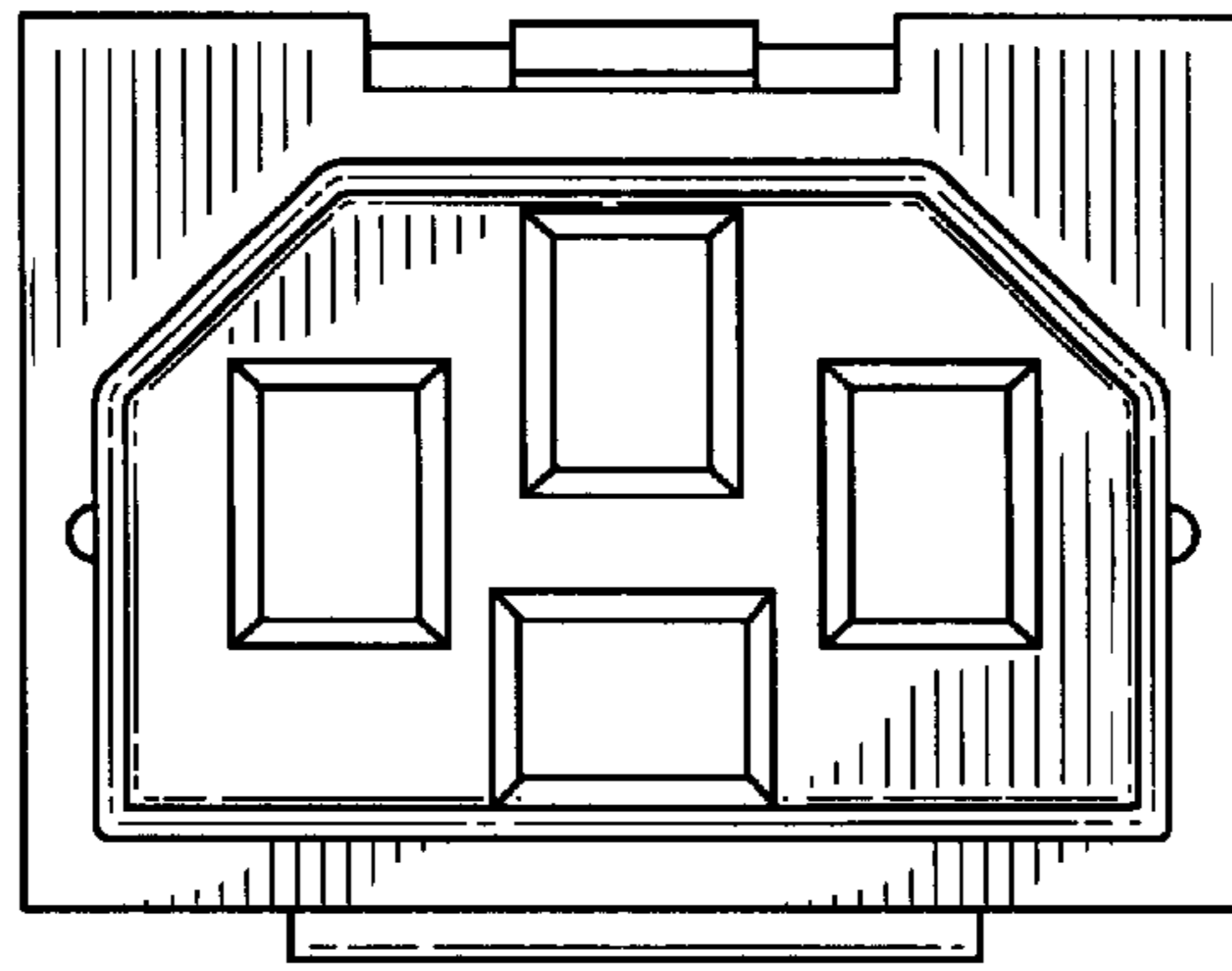


FIG. 2

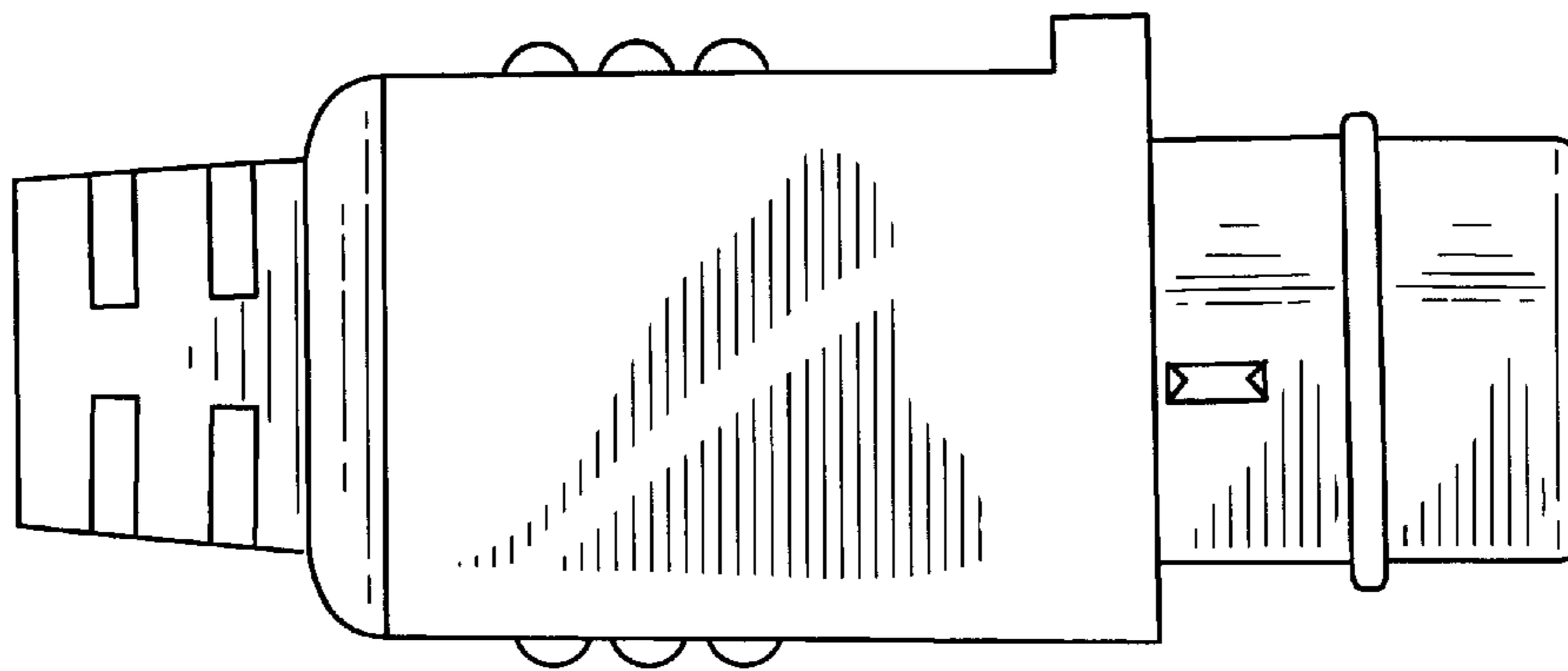


FIG. 3

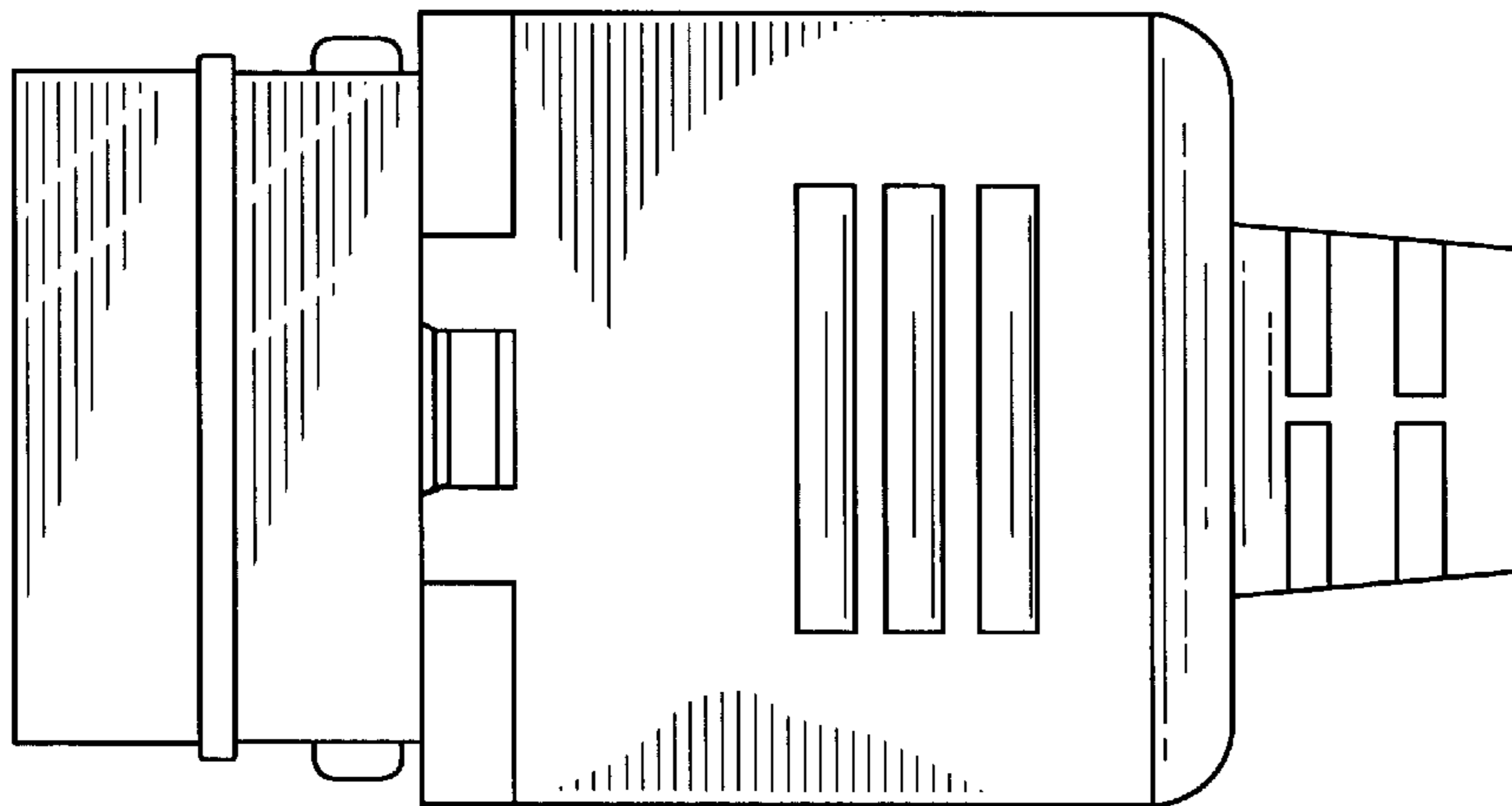


FIG. 4

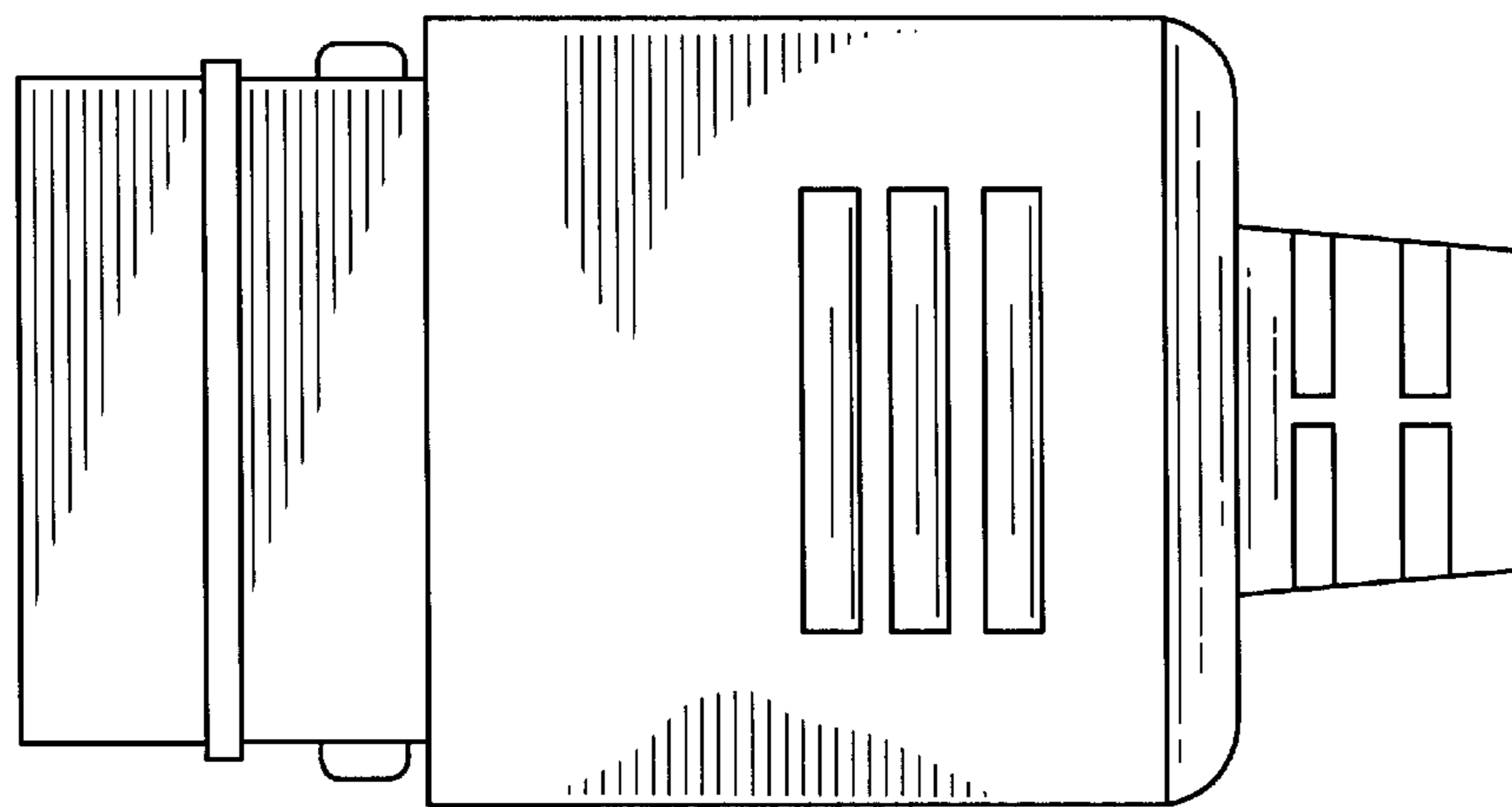


FIG. 5

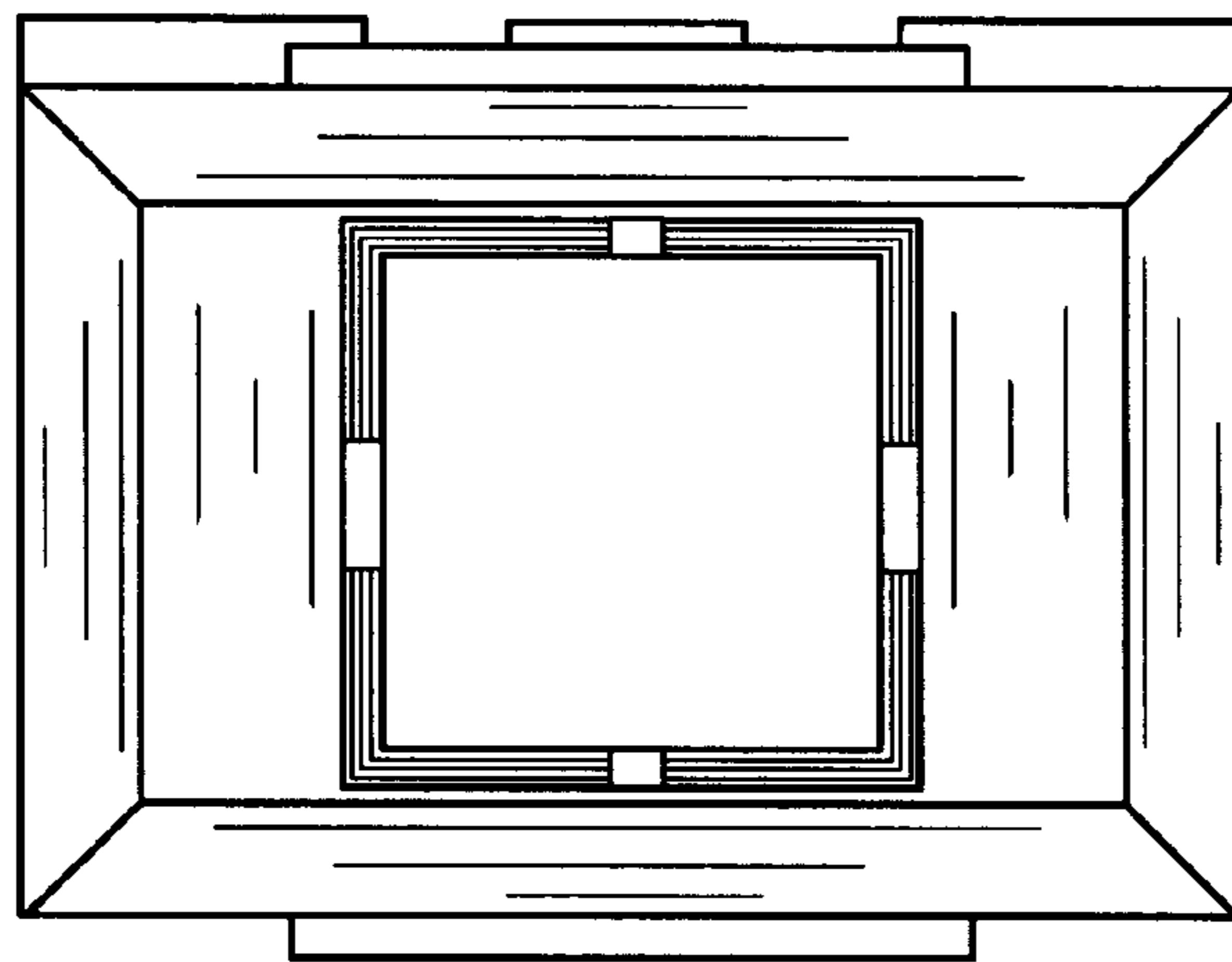


FIG. 6