

US00D544839S

(12) **United States Design Patent**  
**Ciancanelli et al.**

(10) **Patent No.:** **US D544,839 S**

(45) **Date of Patent:** **\*\* Jun. 19, 2007**

(54) **SNAP LOCK SOCKET CONNECTOR**

(75) Inventors: **Gino J. Ciancanelli**, Southbury, CT (US); **Betty Jean Zayas**, Bridgeport, CT (US)

(73) Assignee: **LightSources Inc.**, Orange, CT (US)

(\*\*) Term: **14 Years**

(21) Appl. No.: **29/266,661**

(22) Filed: **Sep. 26, 2006**

(51) **LOC (8) Cl.** ..... **13-03**

(52) **U.S. Cl.** ..... **D13/134**

(58) **Field of Classification Search** ..... D13/133-136, D13/154, 184, 199; D26/24, 113; 313/318.01, 313/318.02, 318.03, 318.05, 318.12; 362/260, 362/581; 439/168, 220, 226, 232, 280, 336, 439/419, 602

See application file for complete search history.

(56) **References Cited**

**U.S. PATENT DOCUMENTS**

- D317,751 S \* 6/1991 Kozono ..... D13/147
- D323,145 S \* 1/1992 Kondo et al. .... D13/134
- 5,263,881 A \* 11/1993 Henrici et al. .... 439/686
- 5,630,729 A \* 5/1997 Francis ..... 439/548
- D387,730 S \* 12/1997 McCarthy ..... D13/133

- 5,964,615 A \* 10/1999 Endres ..... 439/419
- 6,884,103 B1 \* 4/2005 Kovacs ..... 439/336
- D519,455 S \* 4/2006 Tufano et al. .... D13/134

\* cited by examiner

*Primary Examiner*—Daniel Bui

(74) *Attorney, Agent, or Firm*—Cantor Colburn LLP

(57) **CLAIM**

The ornamental design for a snap lock socket connector, as shown and described.

**DESCRIPTION**

FIG. 1 is a top, front and left side perspective view of a snap lock socket connector, showing our new design;

FIG. 2 is a top, rear and right side perspective view thereof;

FIG. 3 is a left side elevation view thereof;

FIG. 4 is a right side elevation view thereof;

FIG. 5 is a front elevation view thereof;

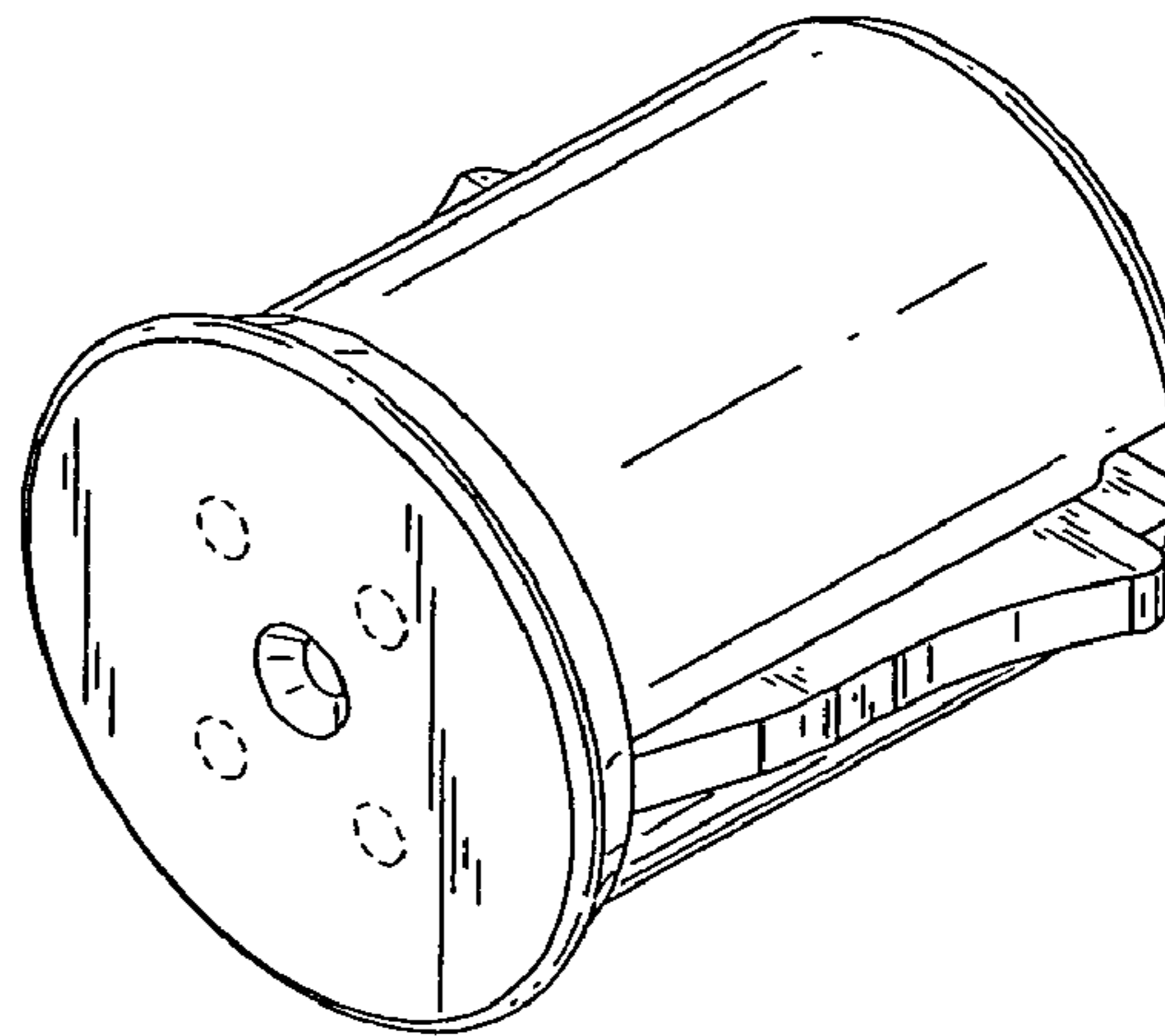
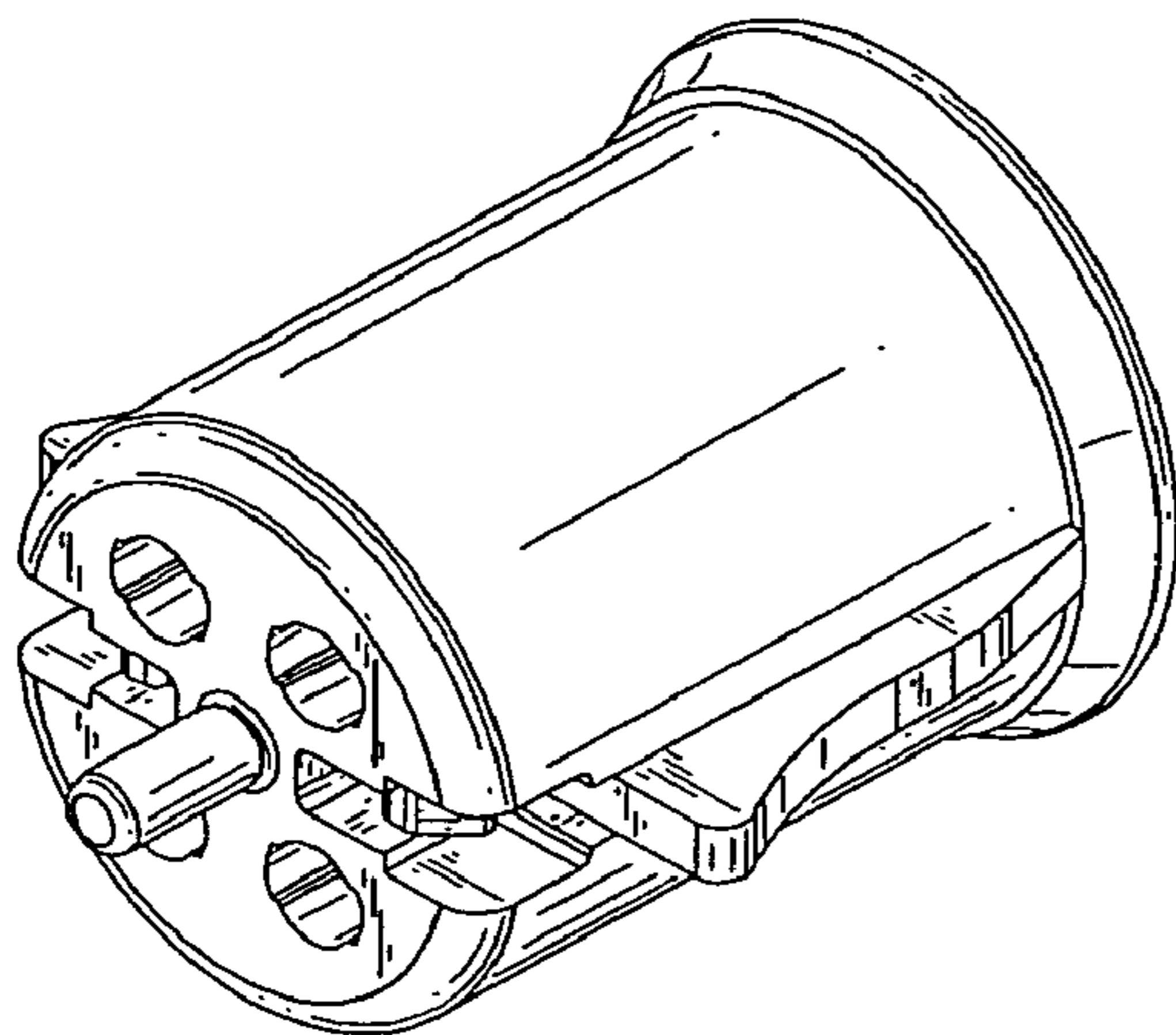
FIG. 6 is a rear elevation view thereof;

FIG. 7 is a bottom plan view thereof; and,

FIG. 8 is a top plan view thereof.

The broken line showing of the environment is for illustrative purposes only and forms no part of the claimed design.

**1 Claim, 2 Drawing Sheets**



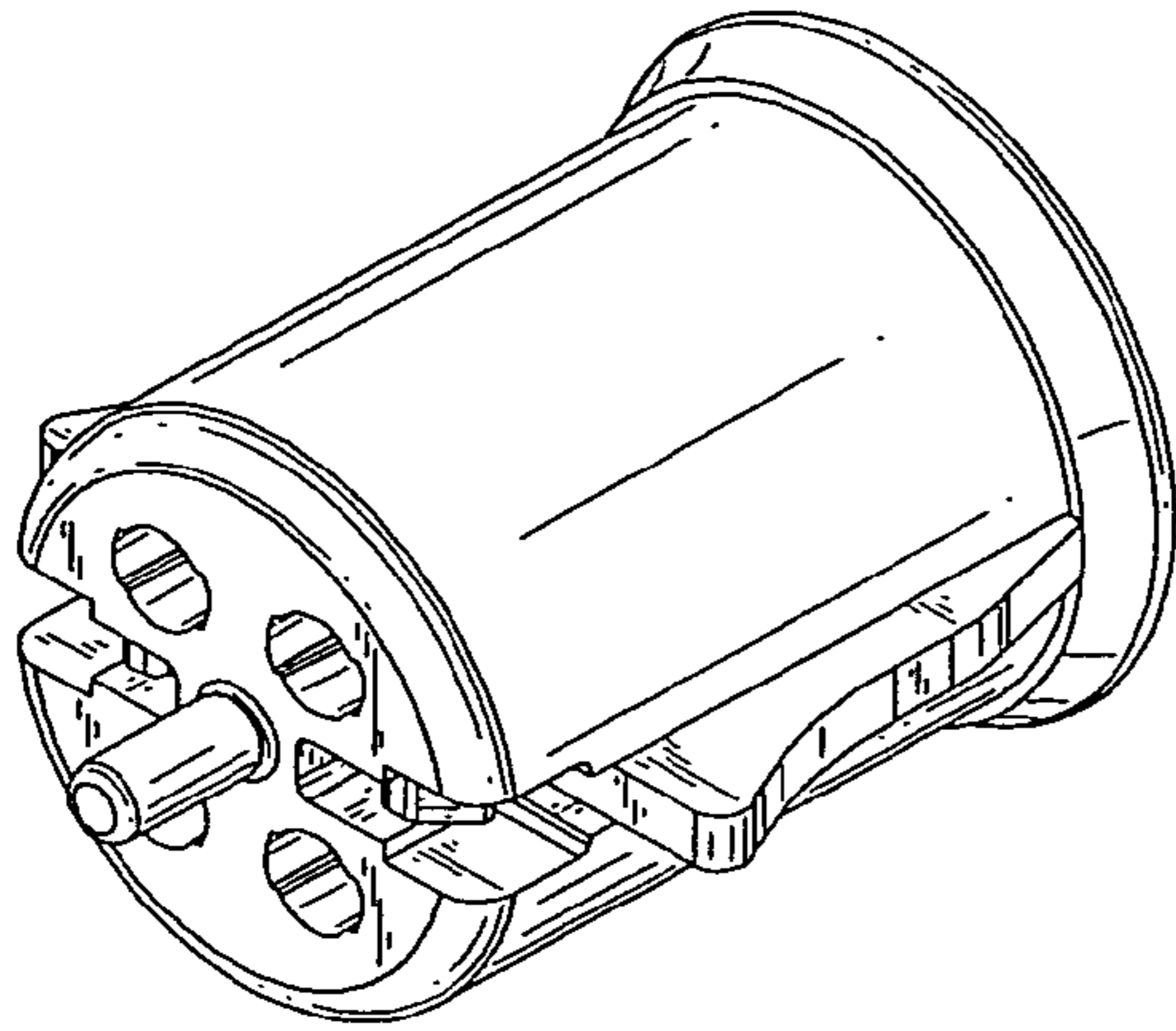


FIG. 1

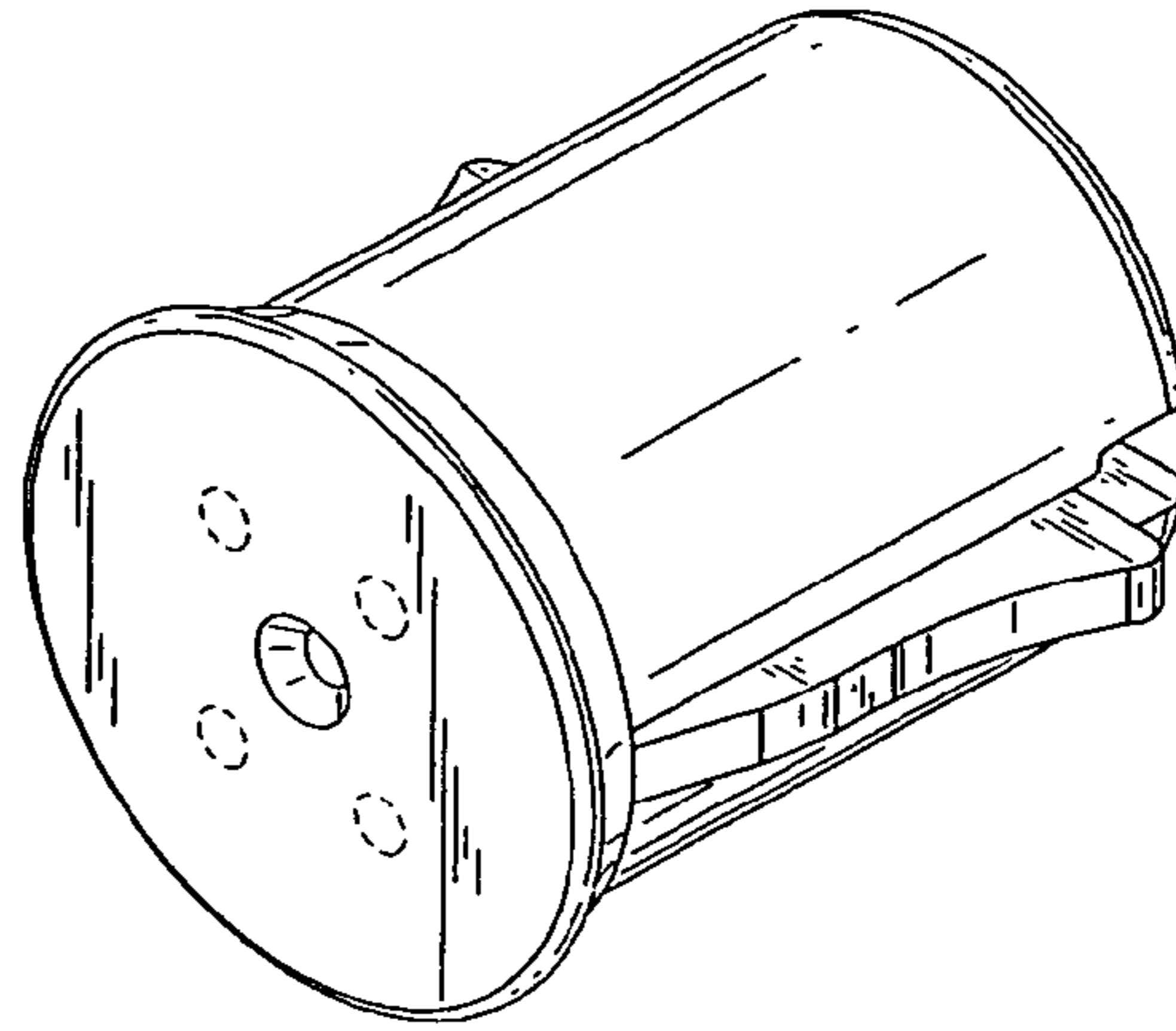


FIG. 2

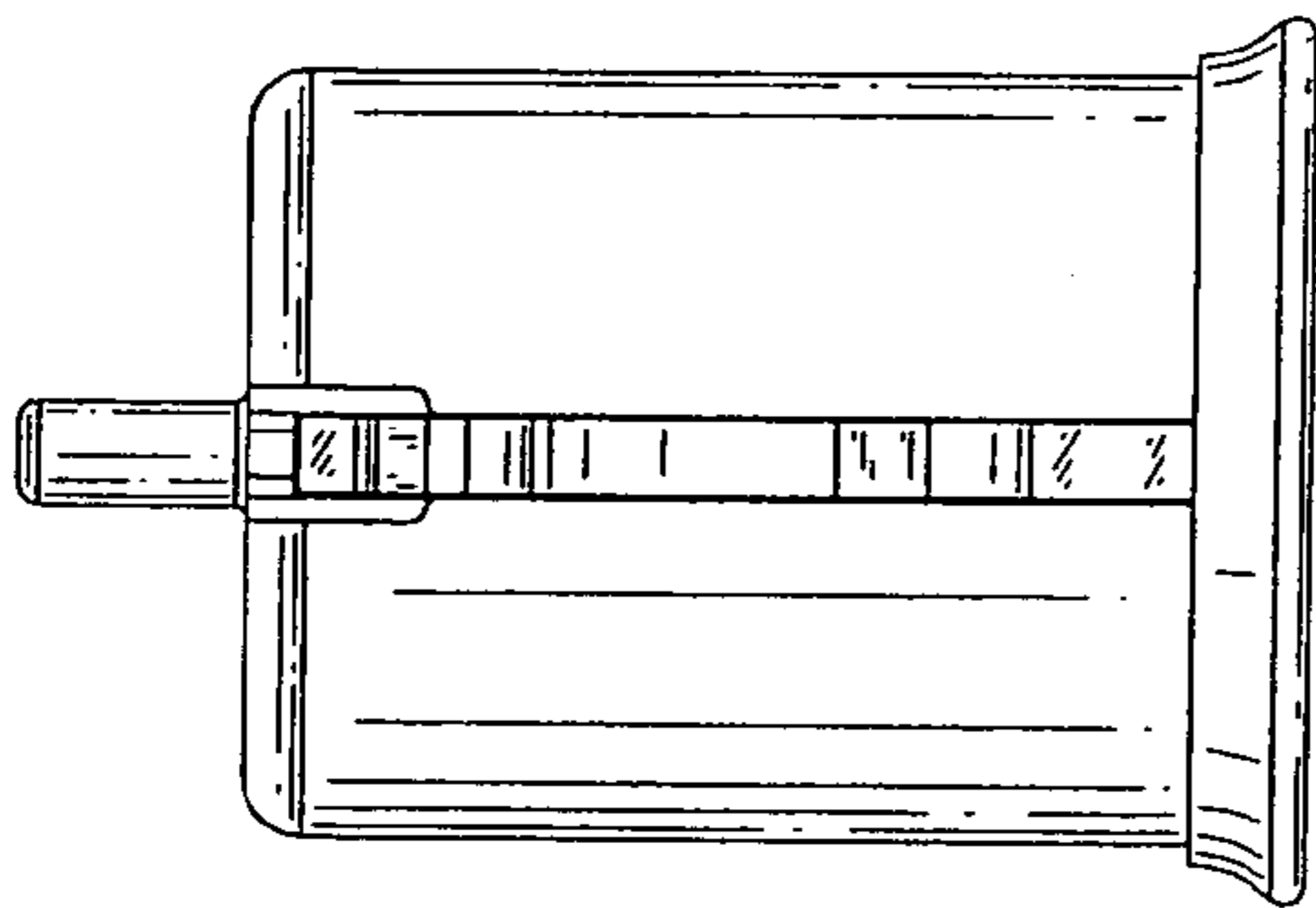


FIG. 3

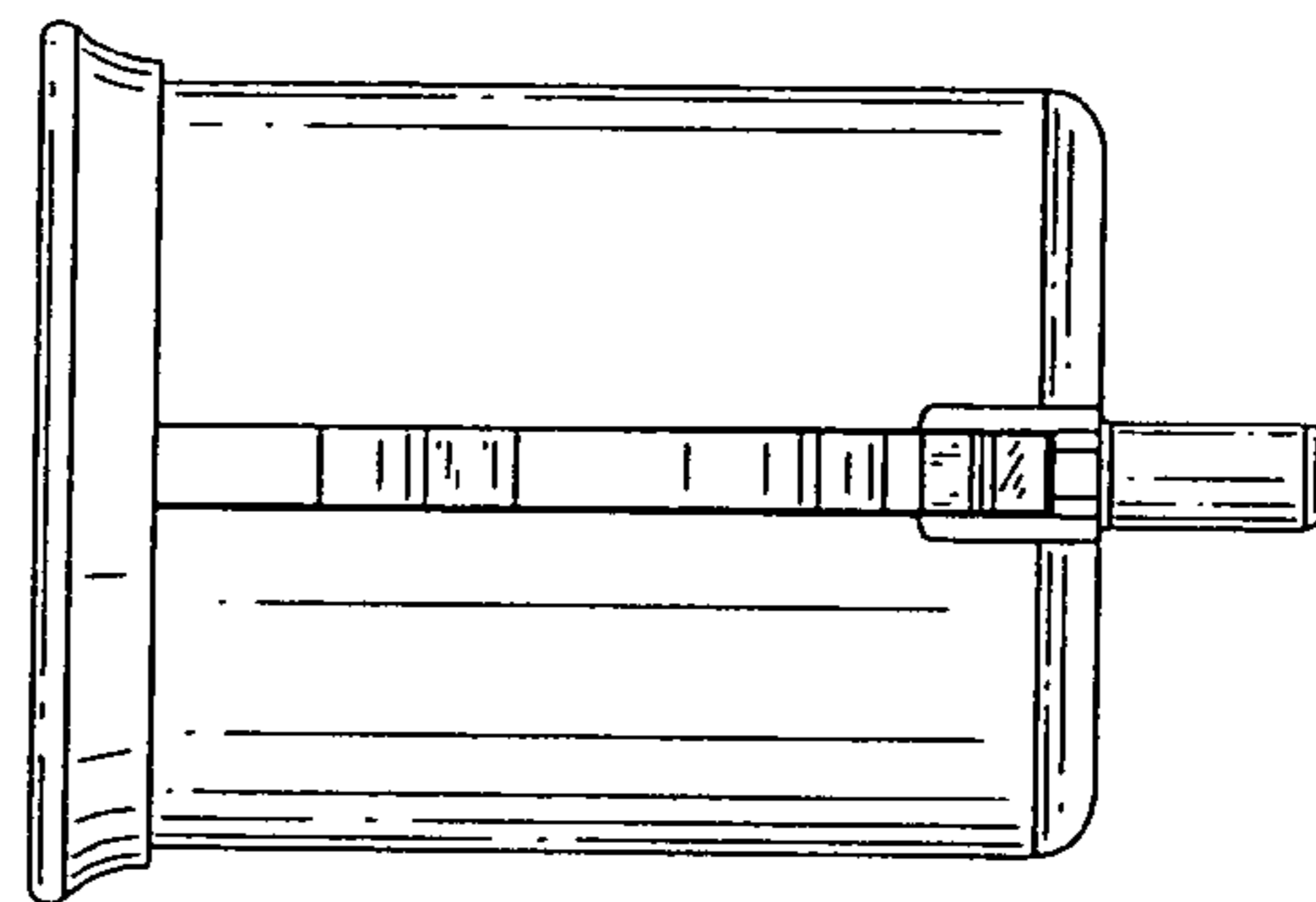


FIG. 4

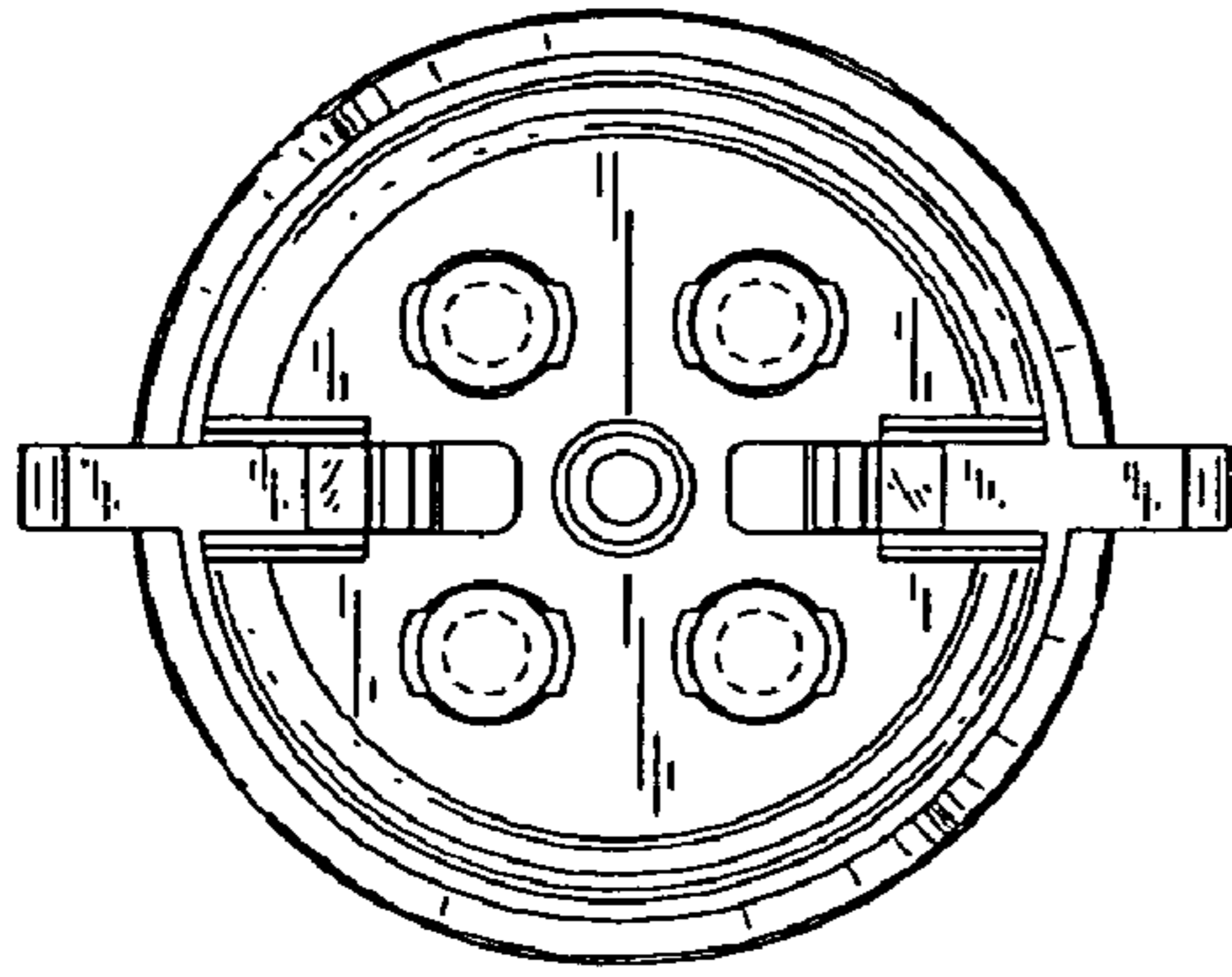


FIG. 5

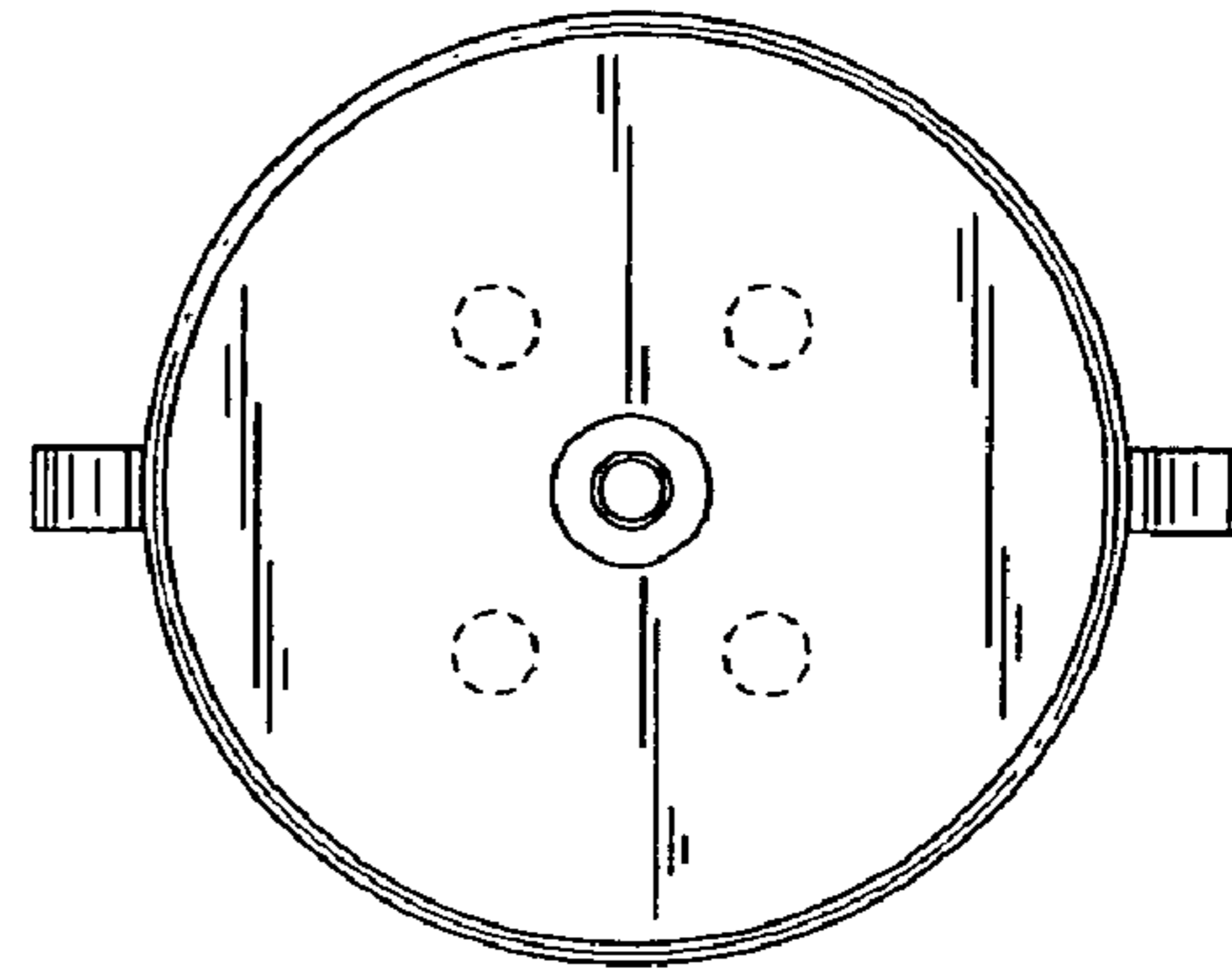


FIG. 6

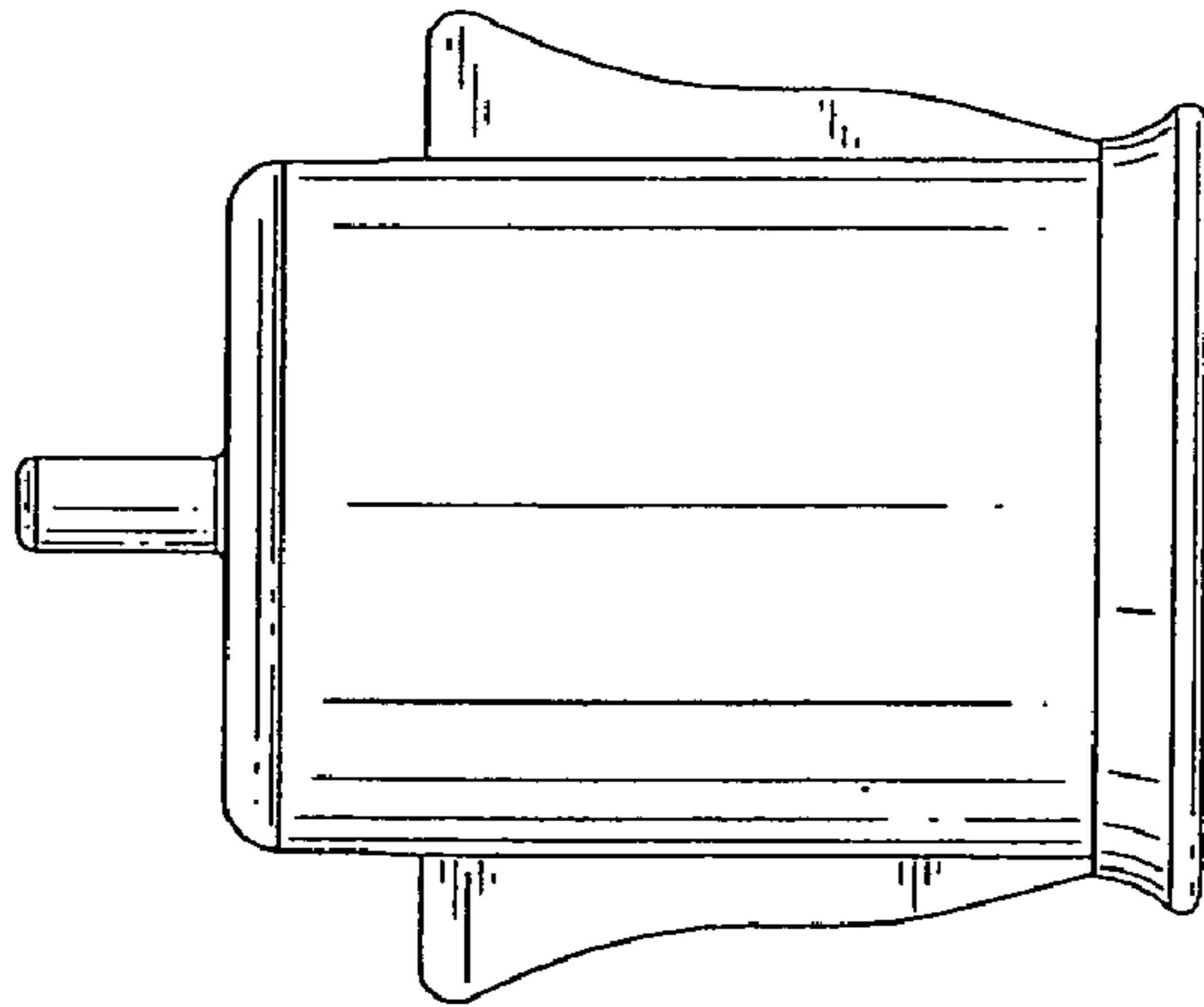


FIG. 7

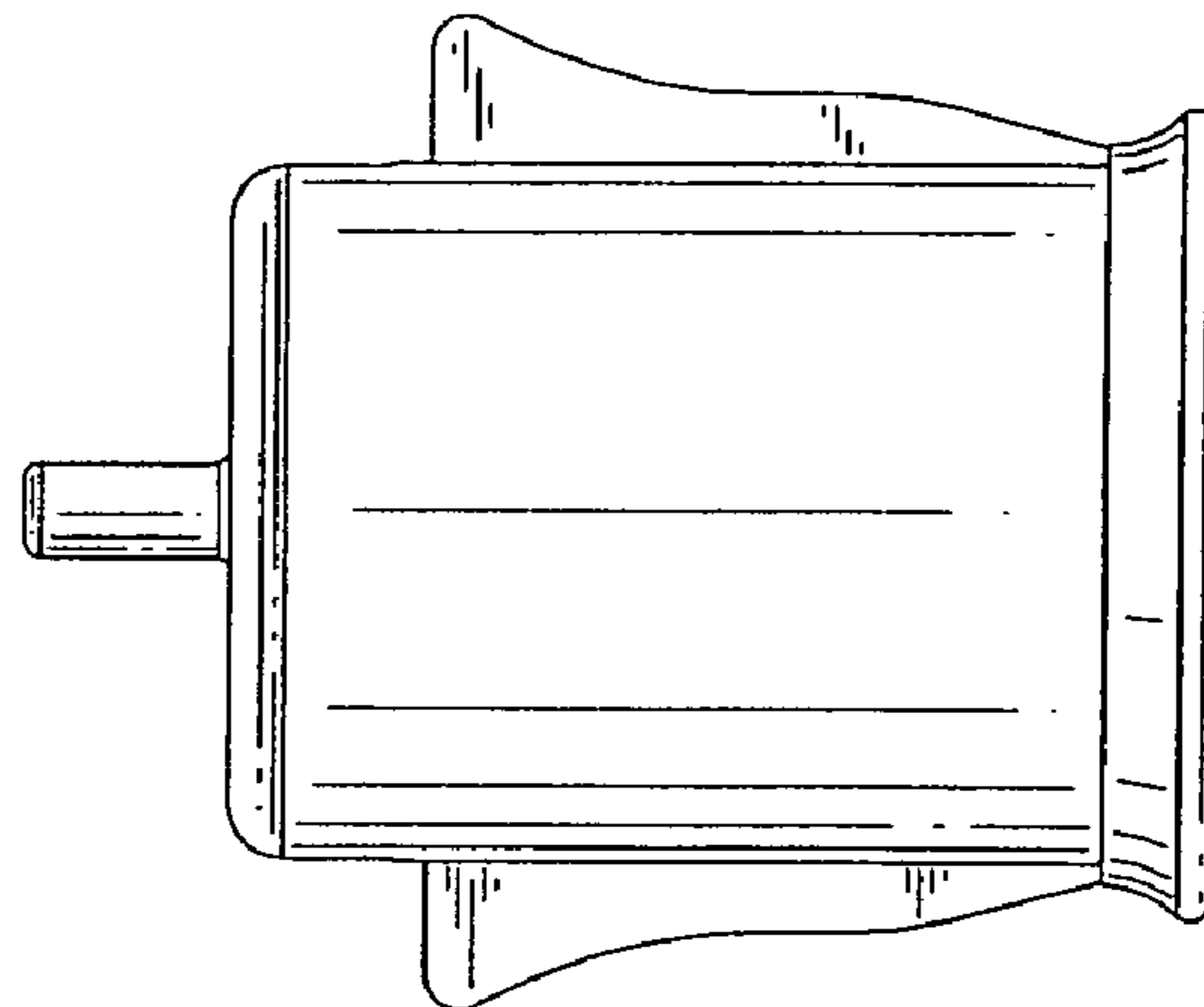


FIG. 8