



US00D544838S

(12) **United States Design Patent**
Ciancanelli et al.

(10) **Patent No.:** **US D544,838 S**

(45) **Date of Patent:** **** Jun. 19, 2007**

(54) **SNAP LOCK OVAL BASE CONNECTOR**

(75) Inventors: **Gino J. Ciancanelli**, Southbury, CT (US); **Betty Jean Zayas**, Bridgeport, CT (US)

(73) Assignee: **LightSources Inc.**, Orange, CT (US)

(**) Term: **14 Years**

(21) Appl. No.: **29/266,639**

(22) Filed: **Sep. 26, 2006**

(51) **LOC (8) Cl.** **13-03**

(52) **U.S. Cl.** **D13/134**

(58) **Field of Classification Search** D13/133-136, D13/154, 184, 199; D26/24, 113; 313/318.01, 313/318.02, 318.03, 318.05, 318.12; 362/260, 362/581; 439/168, 220, 226, 232, 280, 336, 439/419, 602

See application file for complete search history.

(56) **References Cited**

U.S. PATENT DOCUMENTS

- D304,716 S * 11/1989 Johnson et al. D13/134
- D317,751 S * 6/1991 Kozono D13/147
- 5,630,729 A * 5/1997 Francis 439/548
- D402,960 S * 12/1998 Harada D13/134
- D417,193 S * 11/1999 Itaya et al. D13/136

- D475,014 S * 5/2003 Kano D13/133
- 6,971,917 B2 * 12/2005 Faust et al. 439/619
- 2005/0227541 A1 * 10/2005 Garcia et al. 439/619

* cited by examiner

Primary Examiner—Daniel Bui

(74) *Attorney, Agent, or Firm*—Cantor Colburn LLP

(57) **CLAIM**

The ornamental design for a snap lock oval base connector, as shown and described.

DESCRIPTION

FIG. 1 is a top, front and right side perspective view of a snap lock oval base connector, showing our new design;

FIG. 2 is a top, rear and left side perspective view thereof;

FIG. 3 is a left side elevation view thereof;

FIG. 4 is a right side elevation view thereof;

FIG. 5 is a front elevation view thereof;

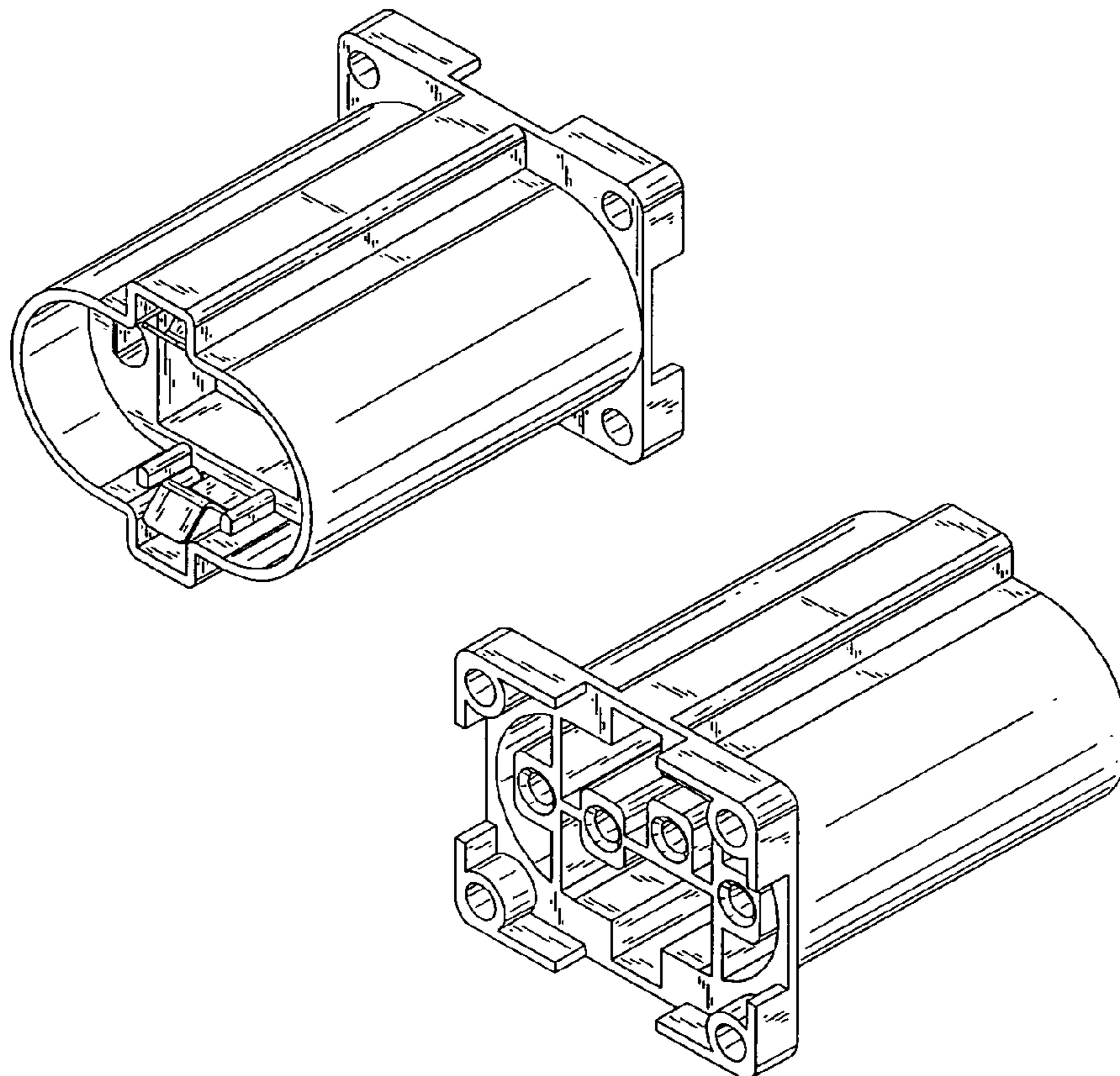
FIG. 6 is a rear elevation view thereof;

FIG. 7 is a top plan view thereof; and,

FIG. 8 is a bottom plan view thereof.

The broken line showing of the environment is for illustrative purposes only and forms no part of the claimed design.

1 Claim, 2 Drawing Sheets



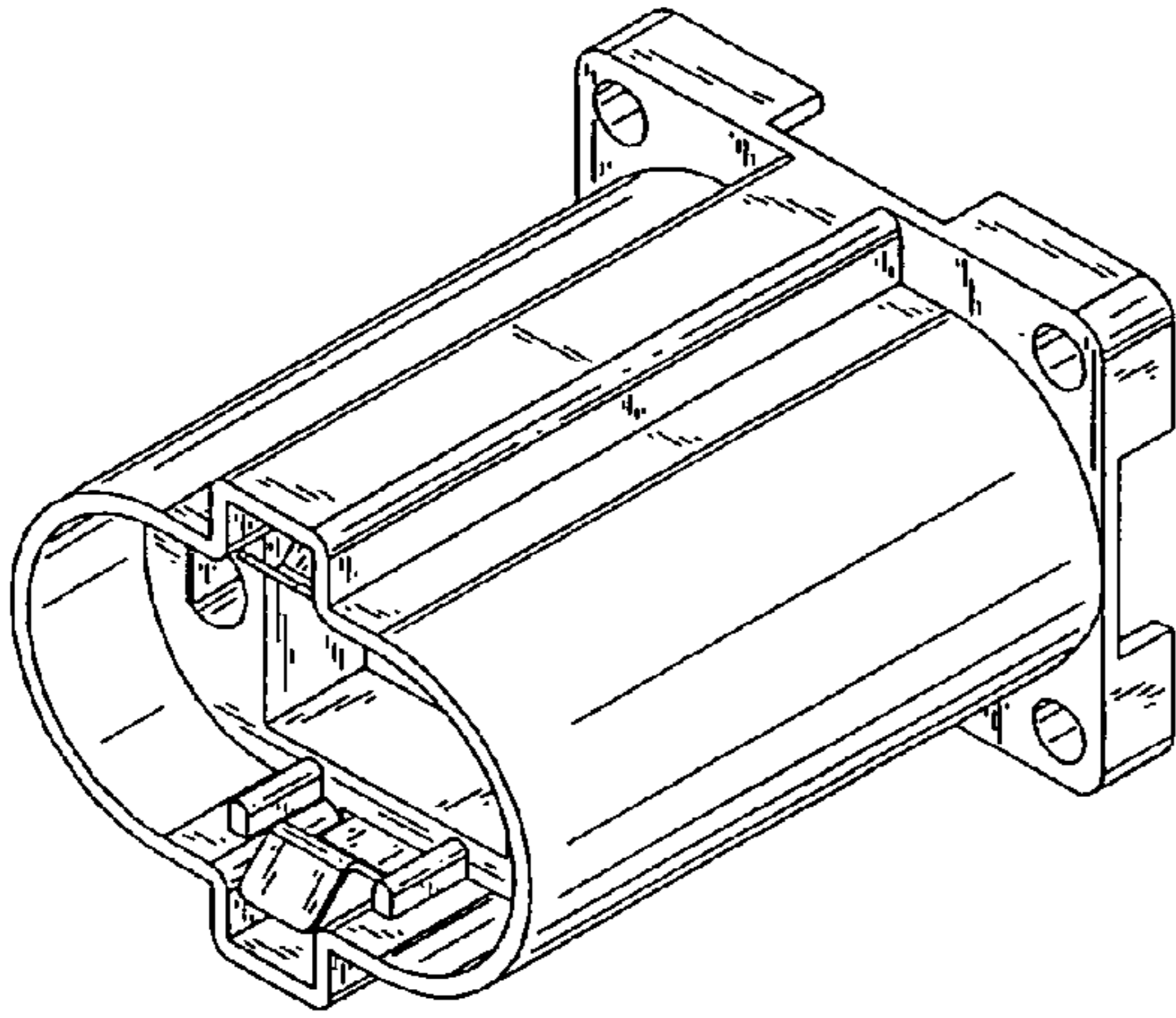


FIG. 1

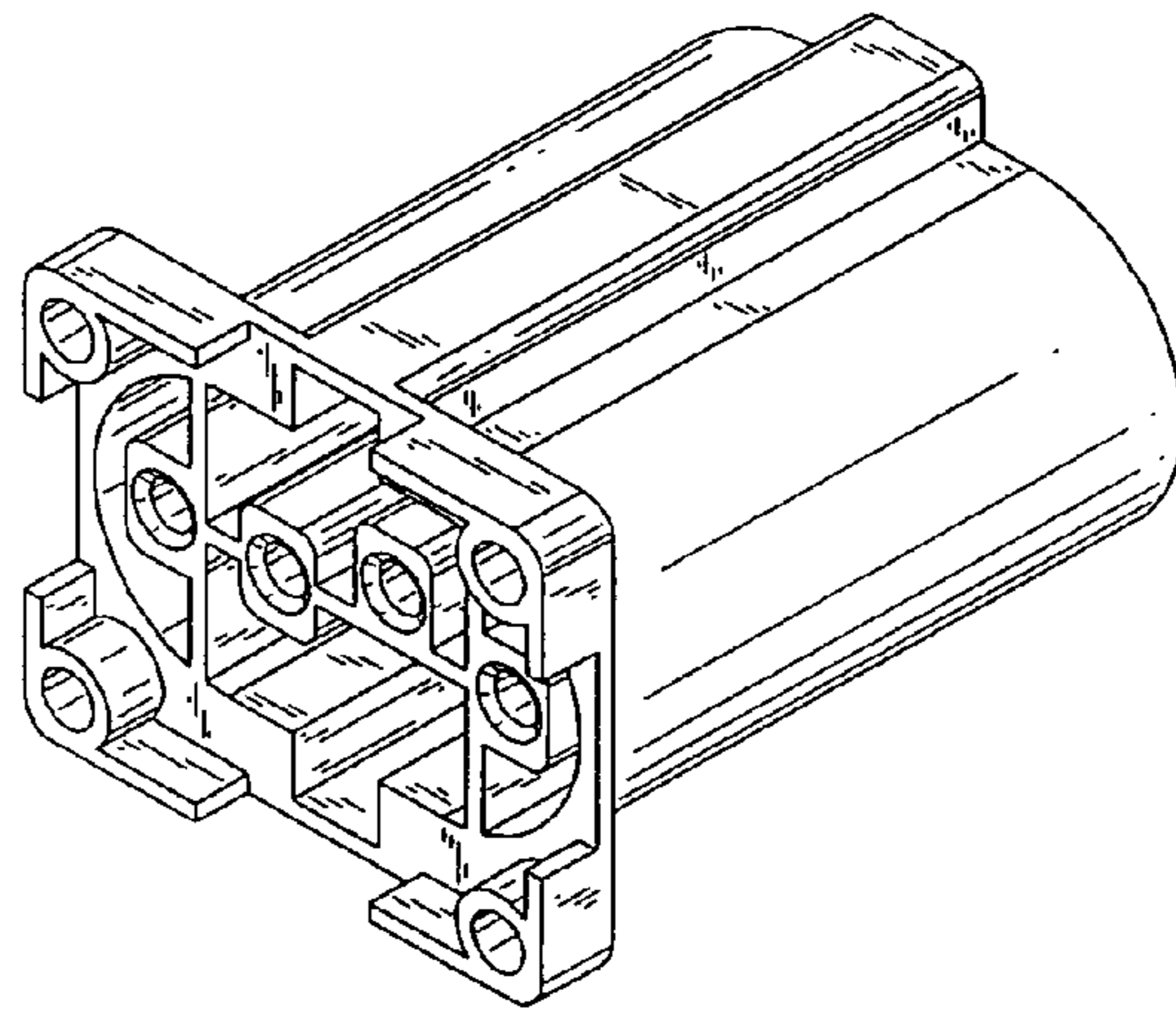


FIG. 2

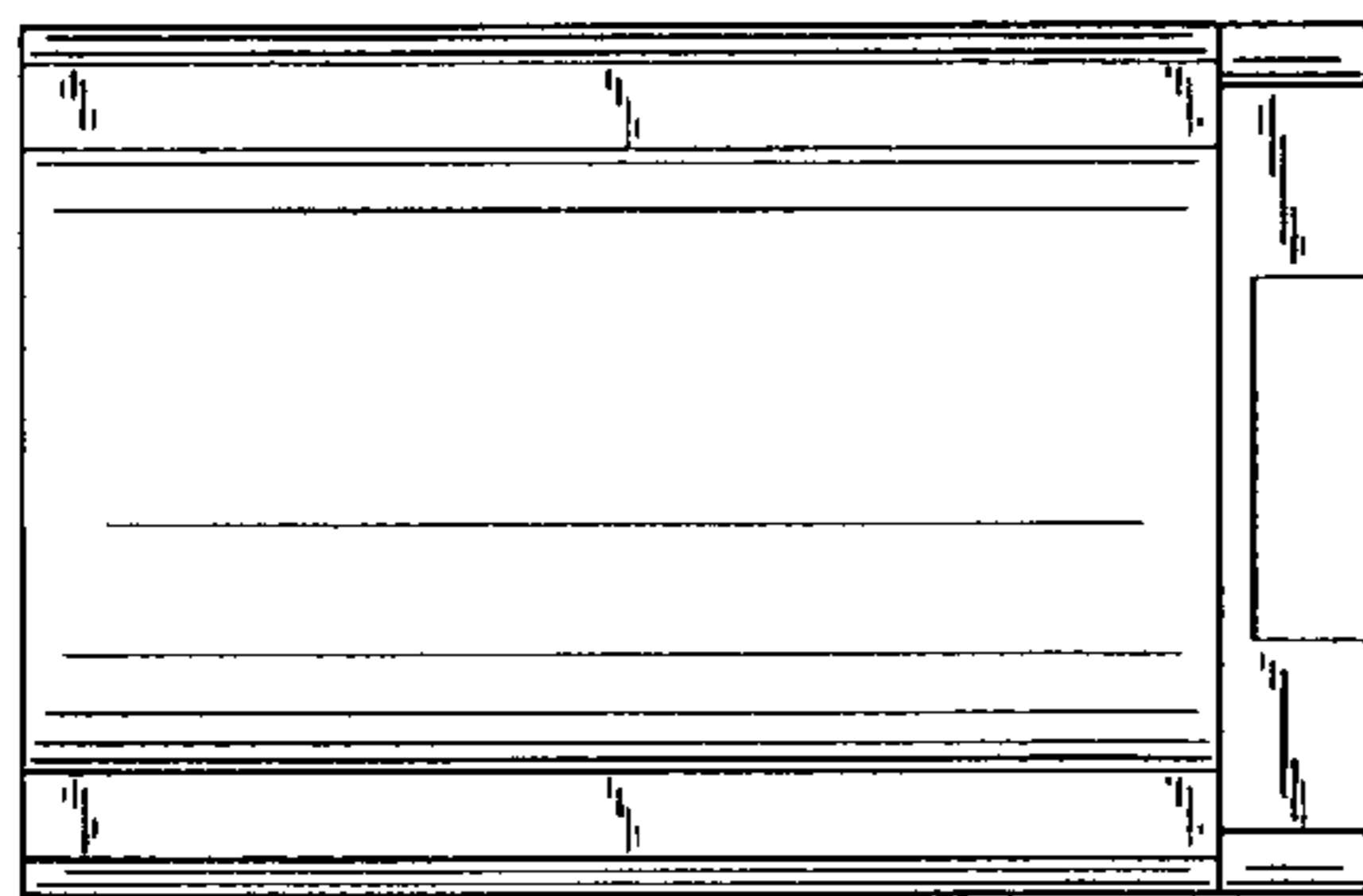


FIG. 3

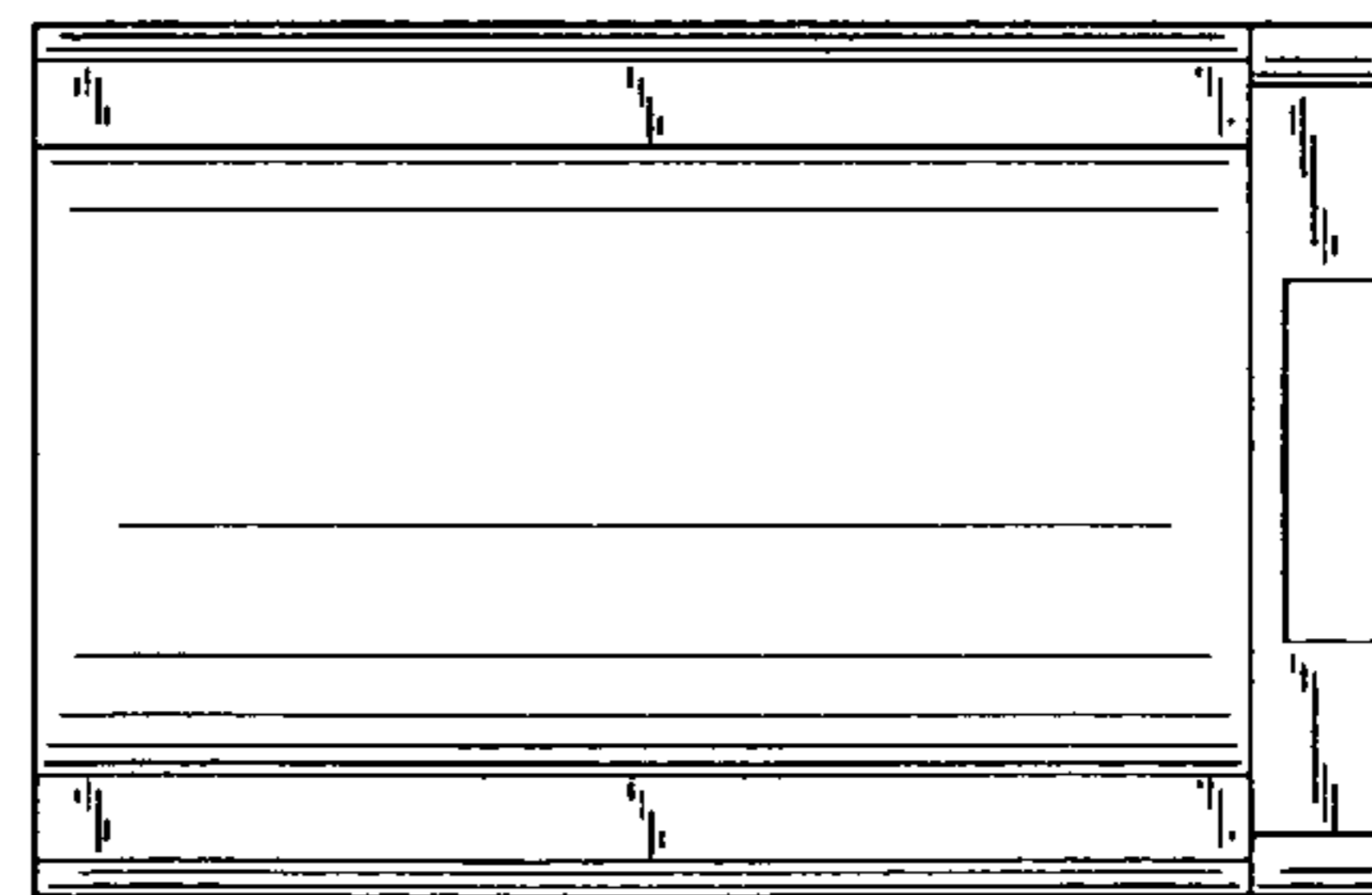


FIG. 4

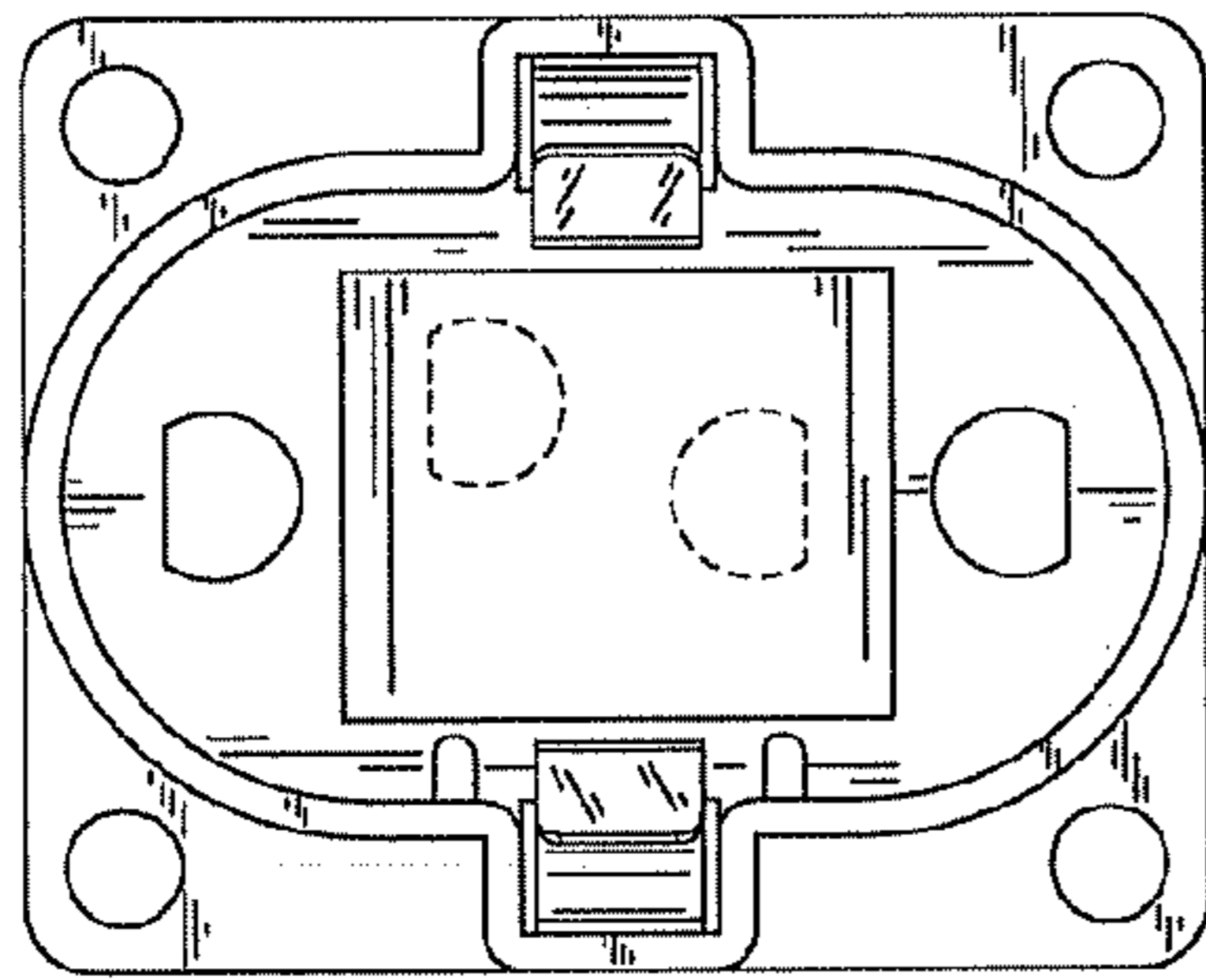


FIG. 5

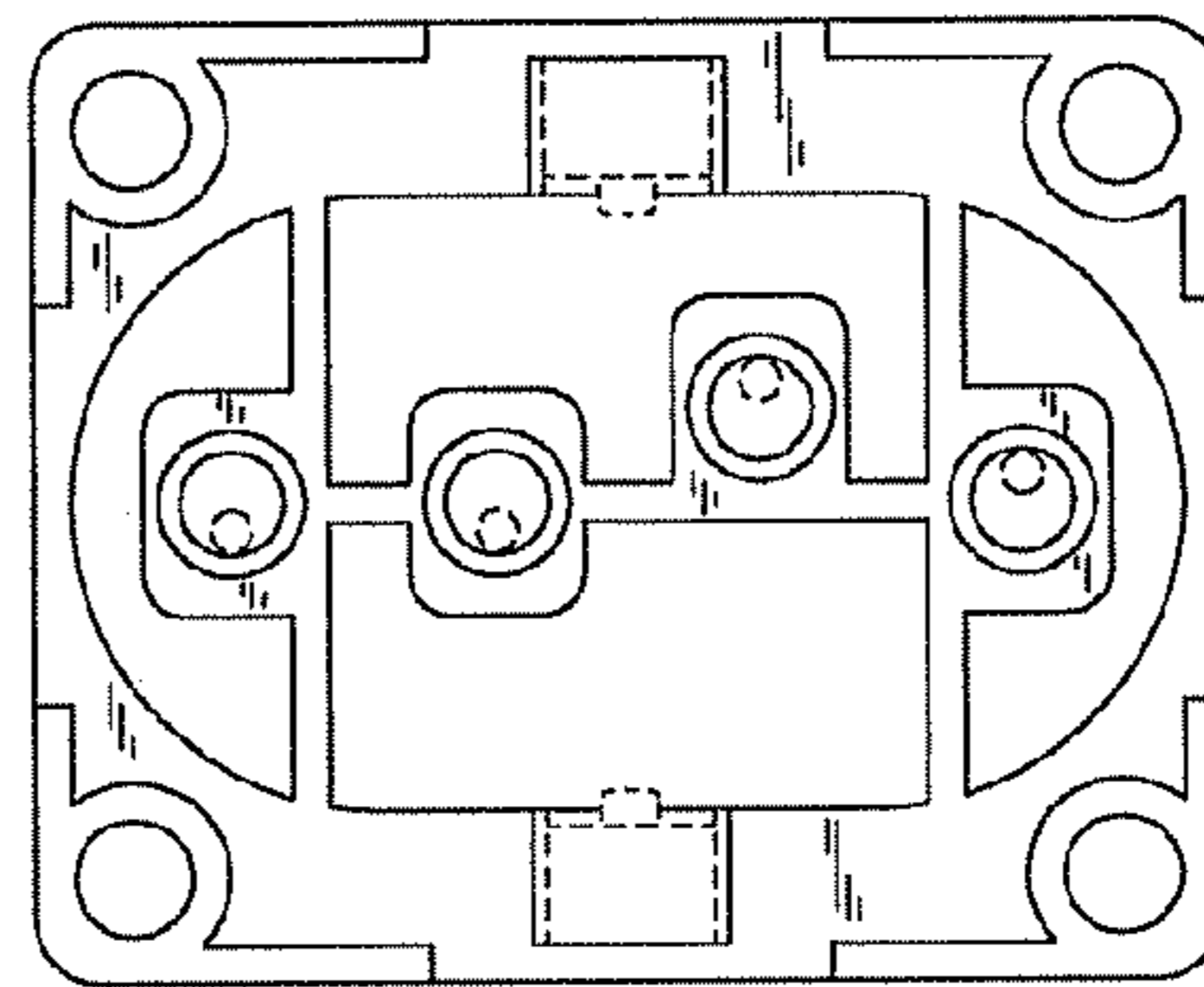


FIG. 6

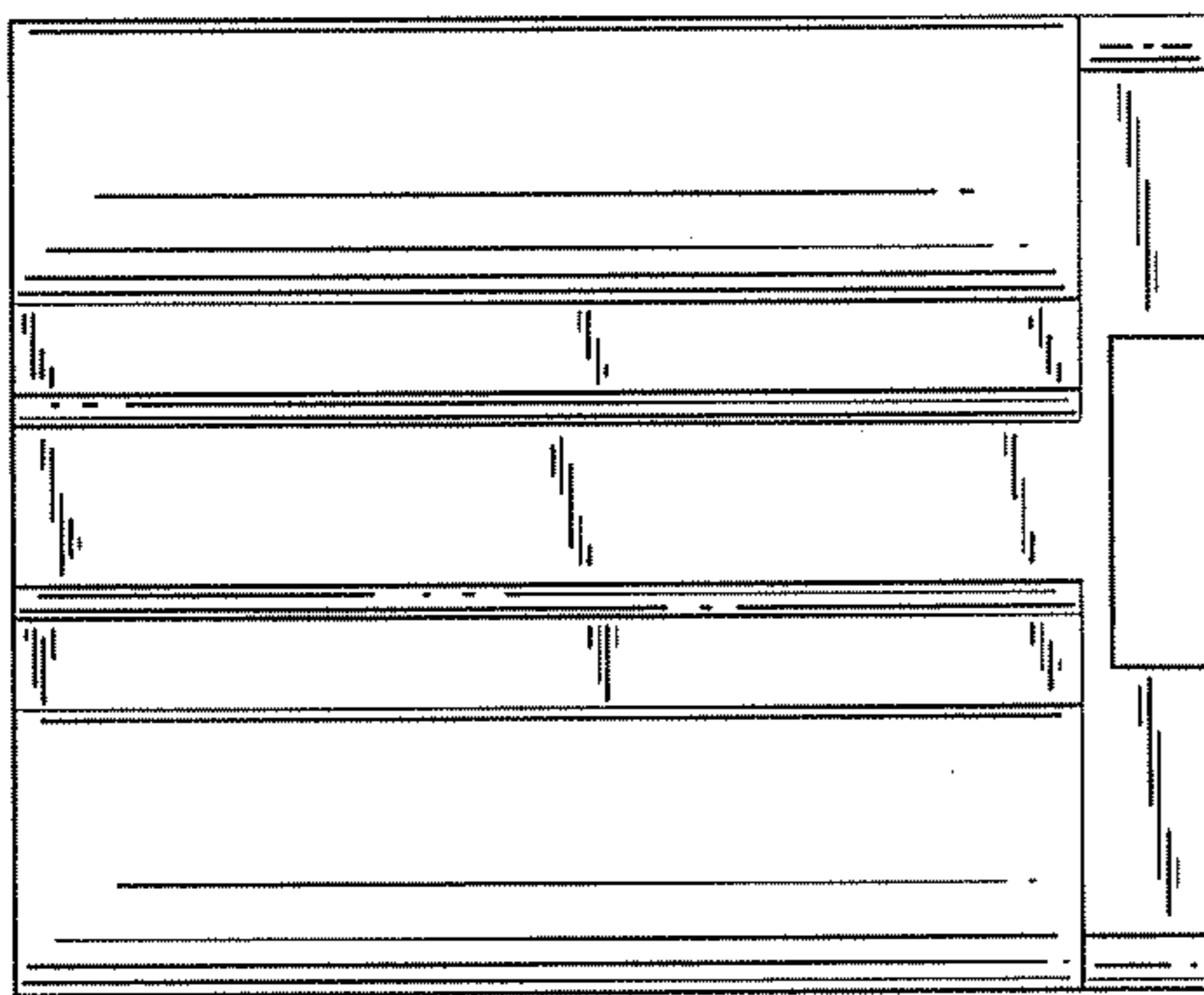


FIG. 7

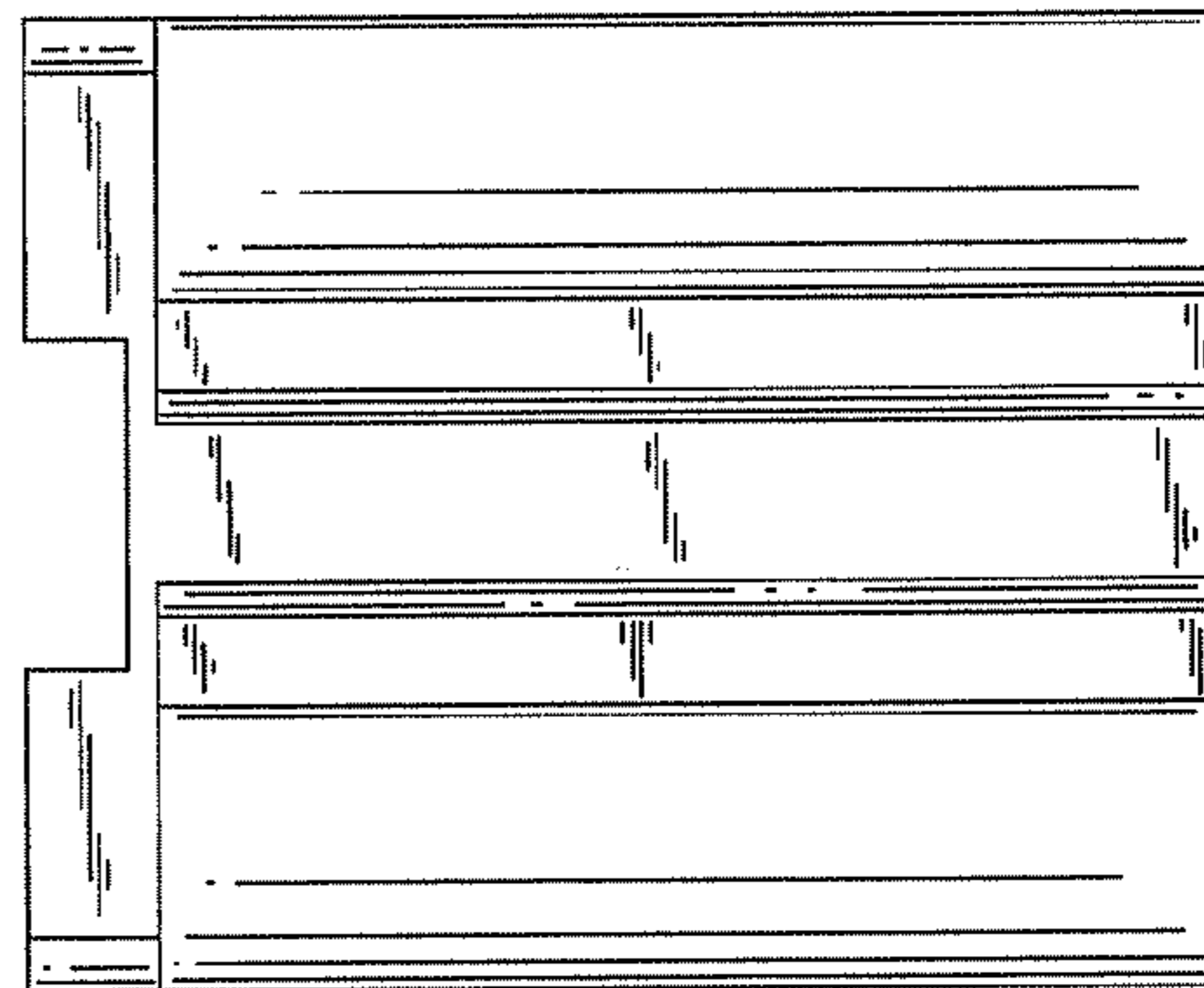


FIG. 8