

US00D544825S

(12) **United States Design Patent** (10) **Patent No.:** **US D544,825 S**
Van de Rostyne et al. (45) **Date of Patent:** **** Jun. 19, 2007**

(54) **HELICOPTER PROPELLER ROTOR**
(75) Inventors: **Alexander Jozef Magdalena Van de Rostyne**, Bornem (BE); **Chi Pok Billy Wai**, Quarry Bay (HK)
(73) Assignee: **Silverlit Toys Manufactory, Ltd.**, Hong Kong (HK)
(**) Term: **14 Years**
(21) Appl. No.: **29/275,323**

D357,894 S 5/1995 Arnold et al.
5,609,312 A 3/1997 Arlton et al.
D388,048 S 12/1997 Collins et al.
5,879,131 A 3/1999 Arlton et al.
D421,279 S * 2/2000 Tsai D21/442
6,039,541 A 3/2000 Parker et al.
D425,853 S * 5/2000 Caporaletti D12/327
D467,861 S 12/2002 Lee
6,659,721 B1 12/2003 Parker et al.
6,884,034 B1 4/2005 Parker et al.
6,929,215 B2 8/2005 Arlton et al.
D524,229 S * 7/2006 Stille et al. D12/327
2006/0231677 A1 10/2006 Zimet et al.

(22) Filed: **Dec. 20, 2006**

Related U.S. Application Data

(63) Continuation-in-part of application No. 11/462,177, filed on Aug. 3, 2006, and application No. 11/465,781, Aug. 18, 2006.

(30) **Foreign Application Priority Data**

Jan. 19, 2006 (BE) 2006/0043

(51) **LOC (8) Cl.** **12-07**
(52) **U.S. Cl.** **D12/345; D21/453**
(58) **Field of Classification Search** D12/326-329, D12/345; D21/441-442, 450, 453; 446/36-45, 446/230, 232; 244/17.11, 217.27
See application file for complete search history.

(56) **References Cited**

U.S. PATENT DOCUMENTS

1,403,909 A 1/1922 Moir
1,773,281 A 8/1930 Scott
D163,938 S 7/1951 Douglas
D171,569 S 3/1954 Apostolescu
D178,081 S 6/1956 Papadakos
D294,605 S * 3/1988 Matsumoto D21/583
5,240,204 A 8/1993 Kunz

FOREIGN PATENT DOCUMENTS

JP 2005193905 A 7/2005
JP 2004121798 A 12/2006

* cited by examiner

Primary Examiner—Ian Simmons

Assistant Examiner—Maurice Stevens

(74) *Attorney, Agent, or Firm*—Greenberg Traurig, LLP

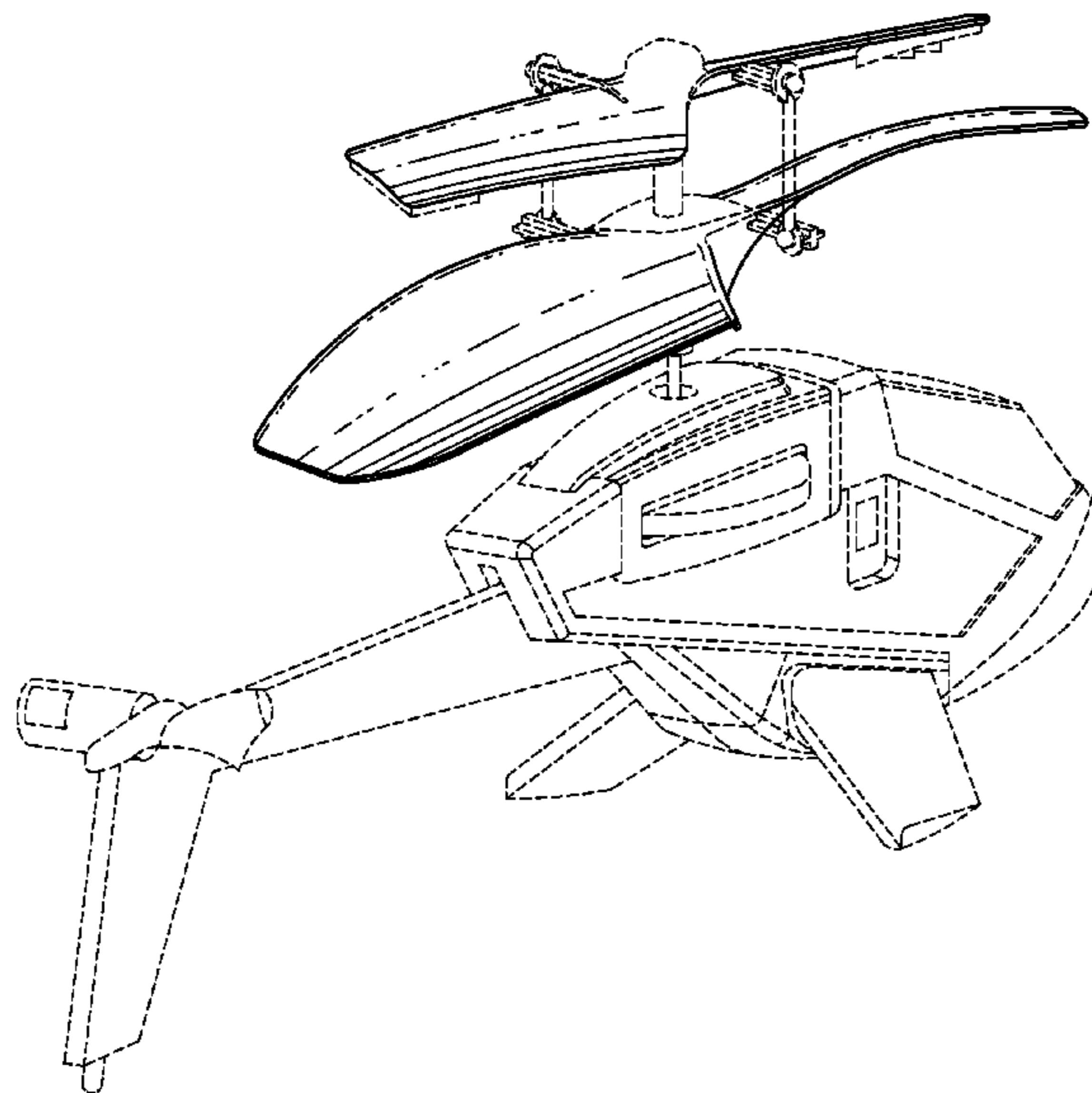
(57) **CLAIM**

The ornamental design for a helicopter propeller rotor, as shown and described.

DESCRIPTION

FIG. 1 is a top view of a helicopter propeller rotor;
FIG. 2 is a side view of the helicopter propeller rotor;
FIG. 3 is a rear perspective side view of the helicopter propeller rotor; and,
FIG. 4 is a front perspective side view of the helicopter propeller rotor.
Broken lines are for illustrative purposes only and form no part of the claimed design.

1 Claim, 4 Drawing Sheets



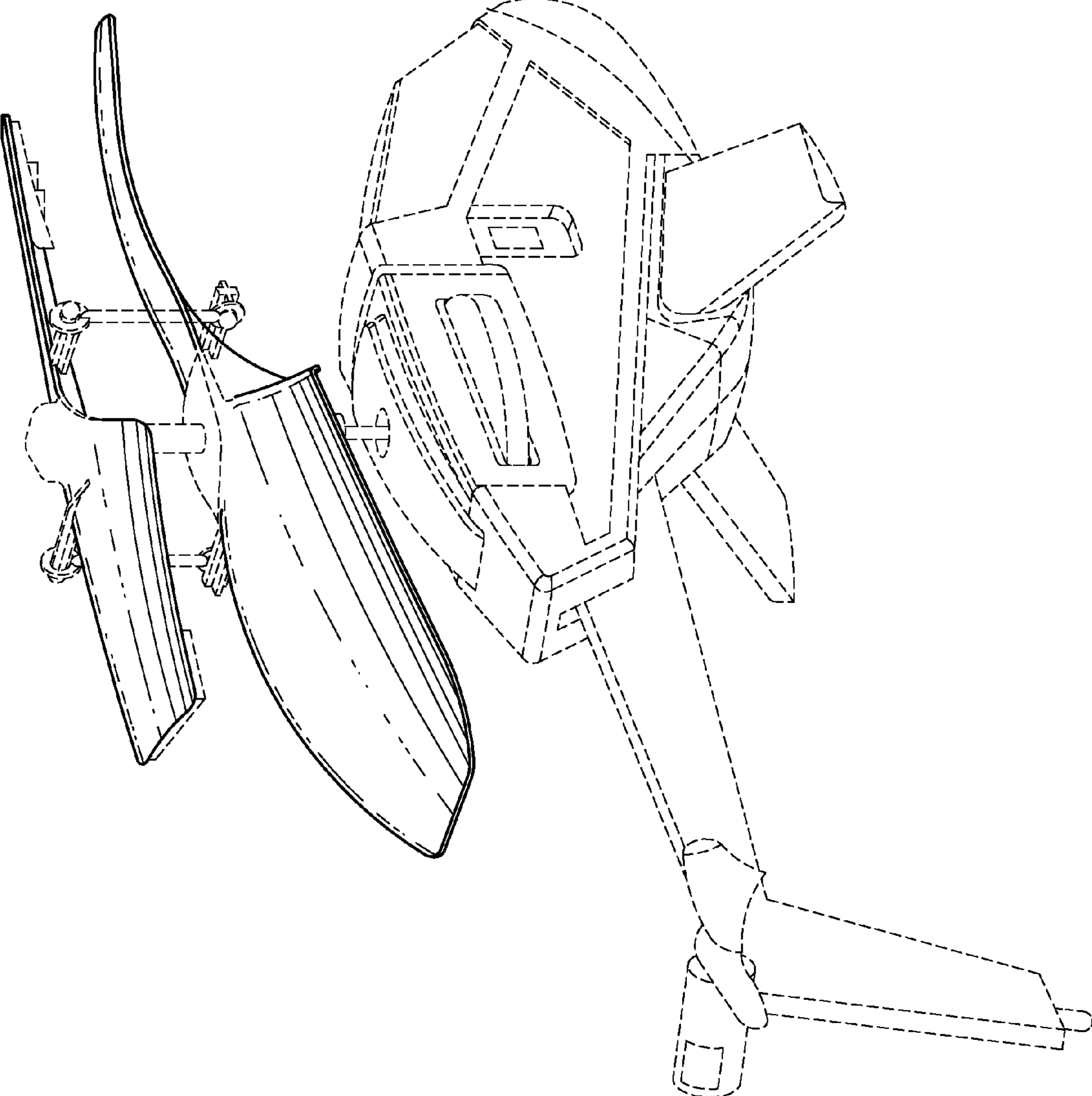


FIG. 1

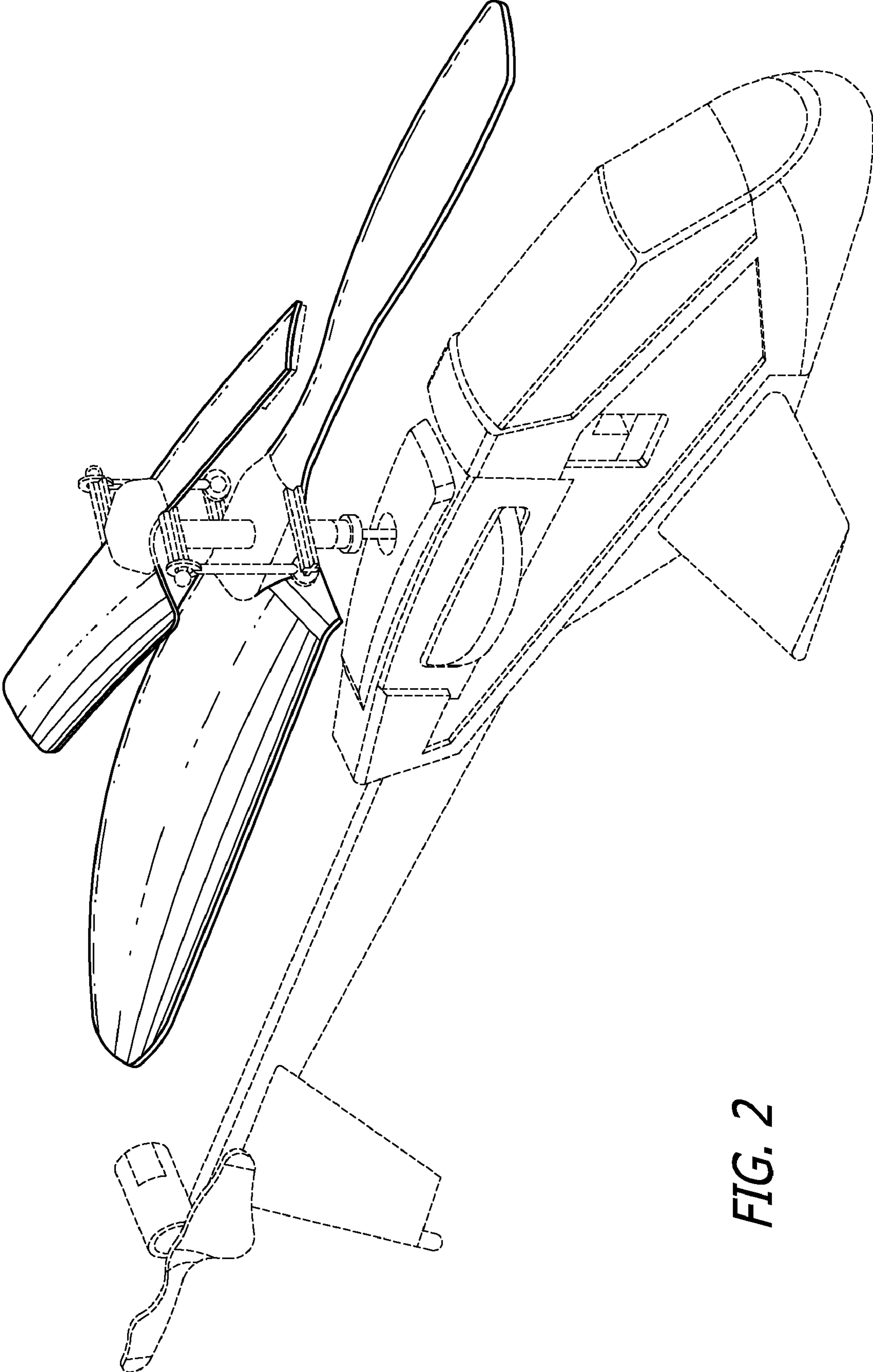


FIG. 2

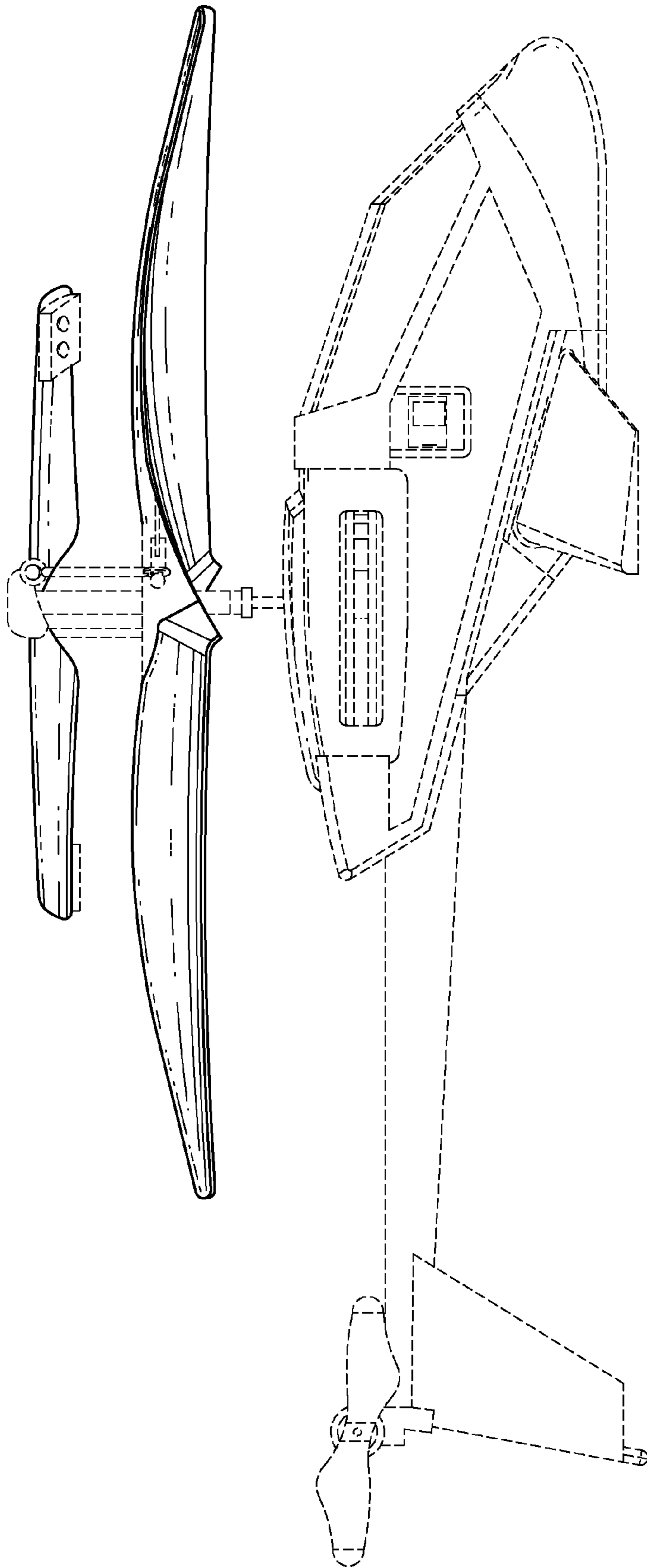


FIG. 3

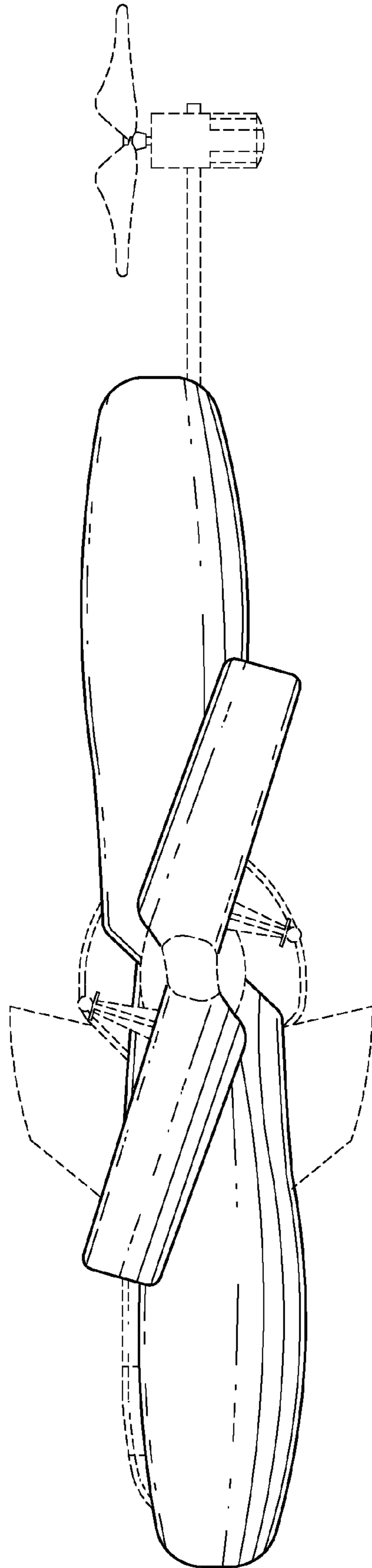


FIG. 4

UNITED STATES PATENT AND TRADEMARK OFFICE
CERTIFICATE OF CORRECTION

PATENT NO. : Des. 544,825 S
APPLICATION NO. : 29/275323
DATED : June 19, 2007
INVENTOR(S) : Alexander Jozef Magdalena Van De Rostyne et al.

Page 1 of 1

It is certified that error appears in the above-identified patent and that said Letters Patent is hereby corrected as shown below:

Page 1, under section entitled "Description", at line 1, please delete "1" and insert --4-- therefor.

Page 1, under section entitled "Description", at line 2, please delete "2" and insert --3-- therefor.

Page 1, under section entitled "Description", at line 3, please delete "3" and insert --1-- therefor.

Page 1, under section entitled "Description", at line 4, please delete "4" and insert --2-- therefor.

Signed and Sealed this

Thirty-first Day of March, 2009



JOHN DOLL
Acting Director of the United States Patent and Trademark Office