



US00D544823S

(12) **United States Design Patent**
Hieke

(10) **Patent No.:** **US D544,823 S**

(45) **Date of Patent:** **** Jun. 19, 2007**

(54) **FRONT FACE OF A VEHICLE WHEEL**

(75) Inventor: **Claus Hieke**, Sindelfingen (DE)

(73) Assignee: **DaimlerChrysler AG**, Stuttgart (DE)

(**) Term: **14 Years**

(21) Appl. No.: **29/268,811**

(22) Filed: **Nov. 14, 2006**

(30) **Foreign Application Priority Data**

May 15, 2006 (EM) 000529185-0005
May 15, 2006 (EM) 000529185-0006

(51) **LOC (8) Cl.** **12-16**

(52) **U.S. Cl.** **D12/211**

(58) **Field of Classification Search** D12/204-213;
301/37.101, 64.101, 65
See application file for complete search history.

(56) **References Cited**

U.S. PATENT DOCUMENTS

D267,564 S *	1/1983	Wright	D12/211
D361,547 S *	8/1995	Weld	D12/211
D368,885 S *	4/1996	Wagner	D12/209
D410,618 S *	6/1999	Hussaini et al.	D12/211
D428,846 S *	8/2000	Yoshida et al.	D12/211
D430,843 S *	9/2000	Sands	D12/211
D451,876 S *	12/2001	Kohl	D12/211
D466,853 S *	12/2002	Maifrini	D12/211
D482,308 S *	11/2003	Lee	D12/211
D486,437 S *	2/2004	Hieke	D12/211

D486,770 S *	2/2004	Pollmann	D12/209
D487,418 S *	3/2004	Hieke	D12/211
D504,098 S *	4/2005	Gallert	D12/209
D515,003 S *	2/2006	Echazabal	D12/211
D515,491 S *	2/2006	Elmitt	D12/209
D522,431 S *	6/2006	Hieke	D12/209
D522,949 S *	6/2006	Elmitt	D12/211
D526,264 S *	8/2006	Marji	D12/209
D527,334 S *	8/2006	Hettler	D12/211
D530,258 S *	10/2006	Schell	D12/211
D531,104 S *	10/2006	Kim	D12/209
D535,606 S *	1/2007	Hernandez	D12/211

* cited by examiner

Primary Examiner—Stacia Cadmus

(74) *Attorney, Agent, or Firm*—Crowell & Moring LLP

(57) **CLAIM**

The ornamental design for a front face of a vehicle wheel, as shown and described.

DESCRIPTION

FIG. 1 is a front view of a first embodiment of a front face of a vehicle wheel according to my novel design; and

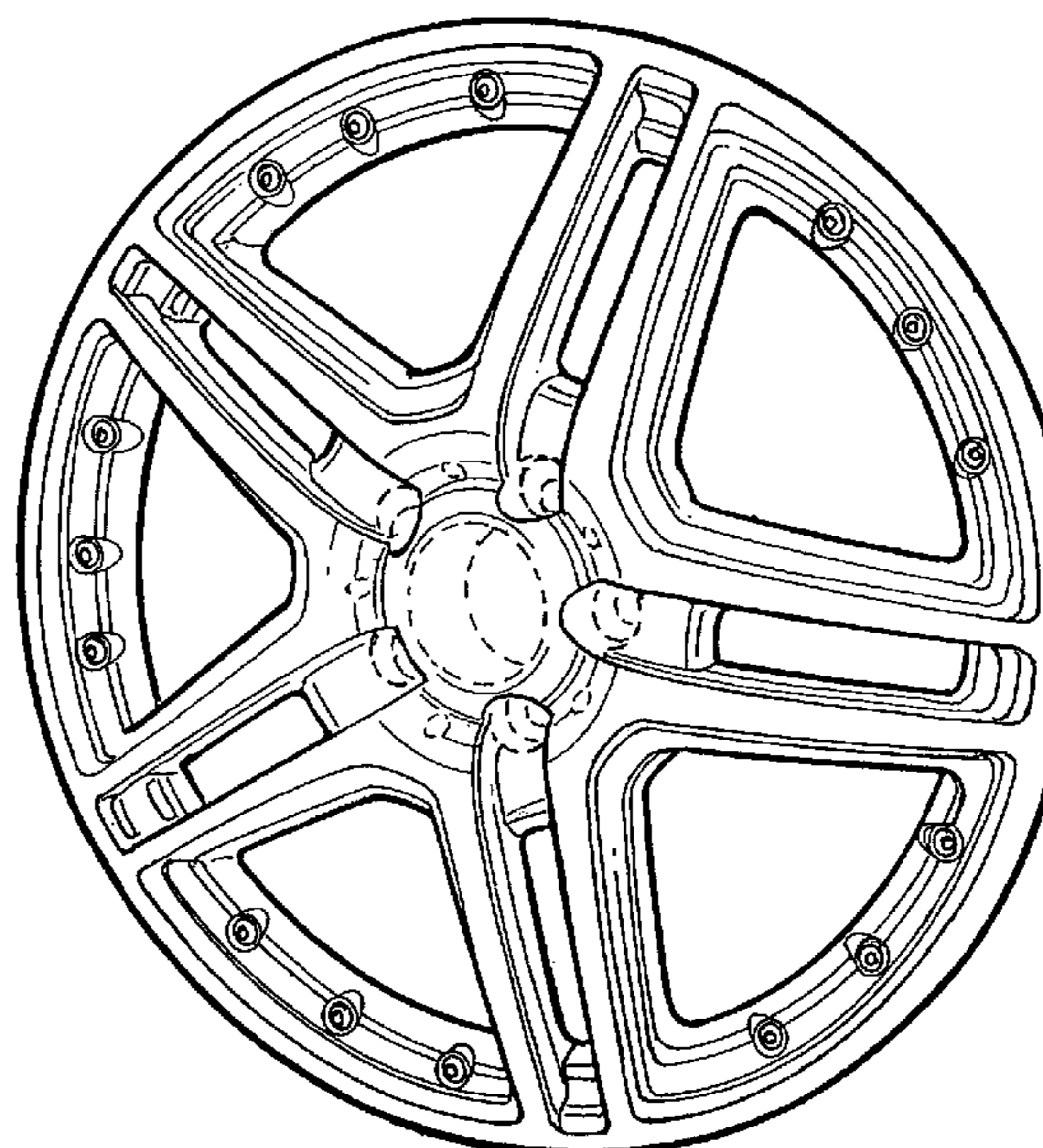
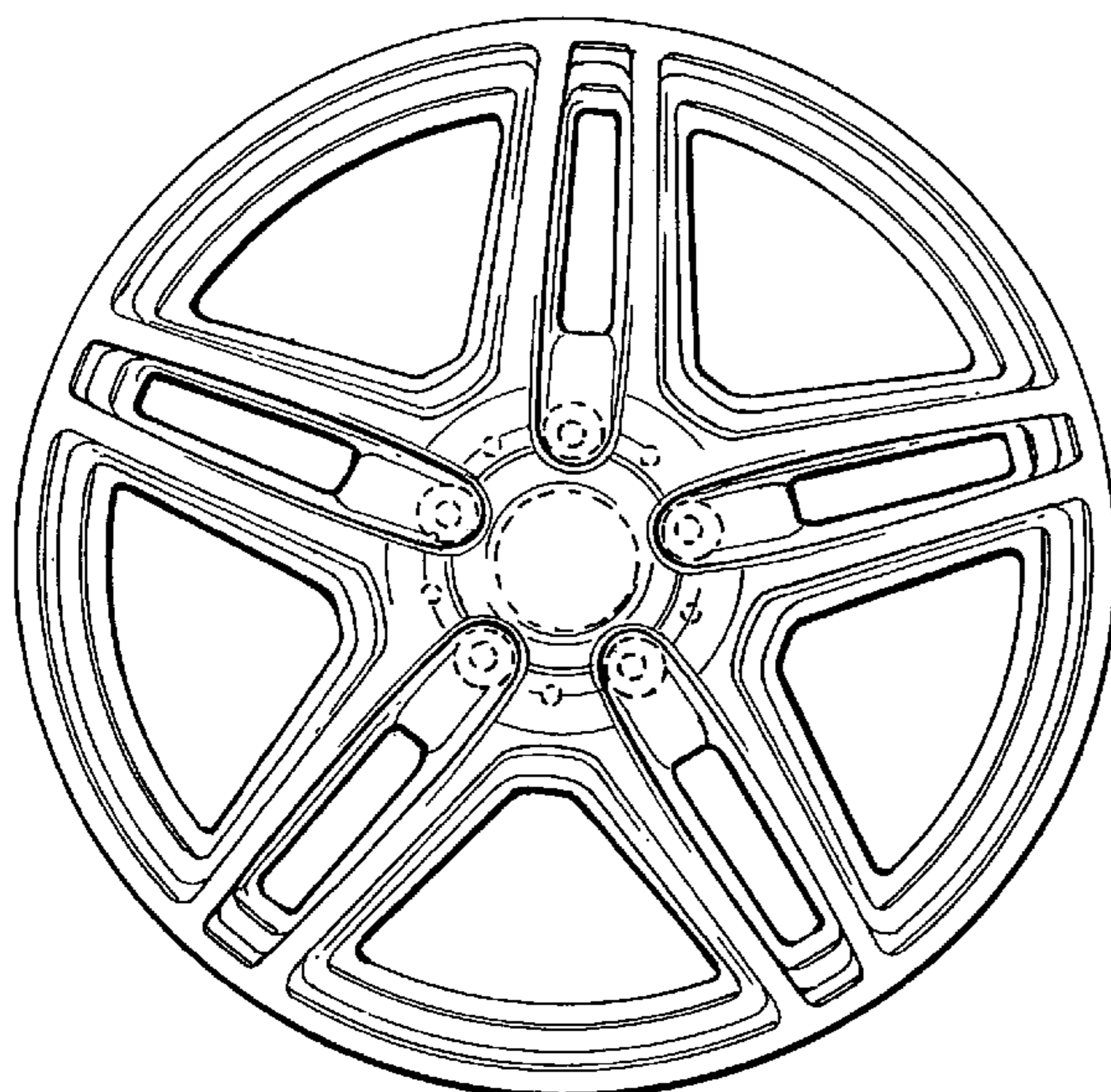
FIG. 2 is a perspective view thereof.

FIG. 3 is a front view of a second embodiment of the front face of a vehicle wheel according to my novel design; and,

FIG. 4 is a perspective view thereof.

The broken lines are for illustrative purposes only and form no part of the claimed design.

1 Claim, 2 Drawing Sheets



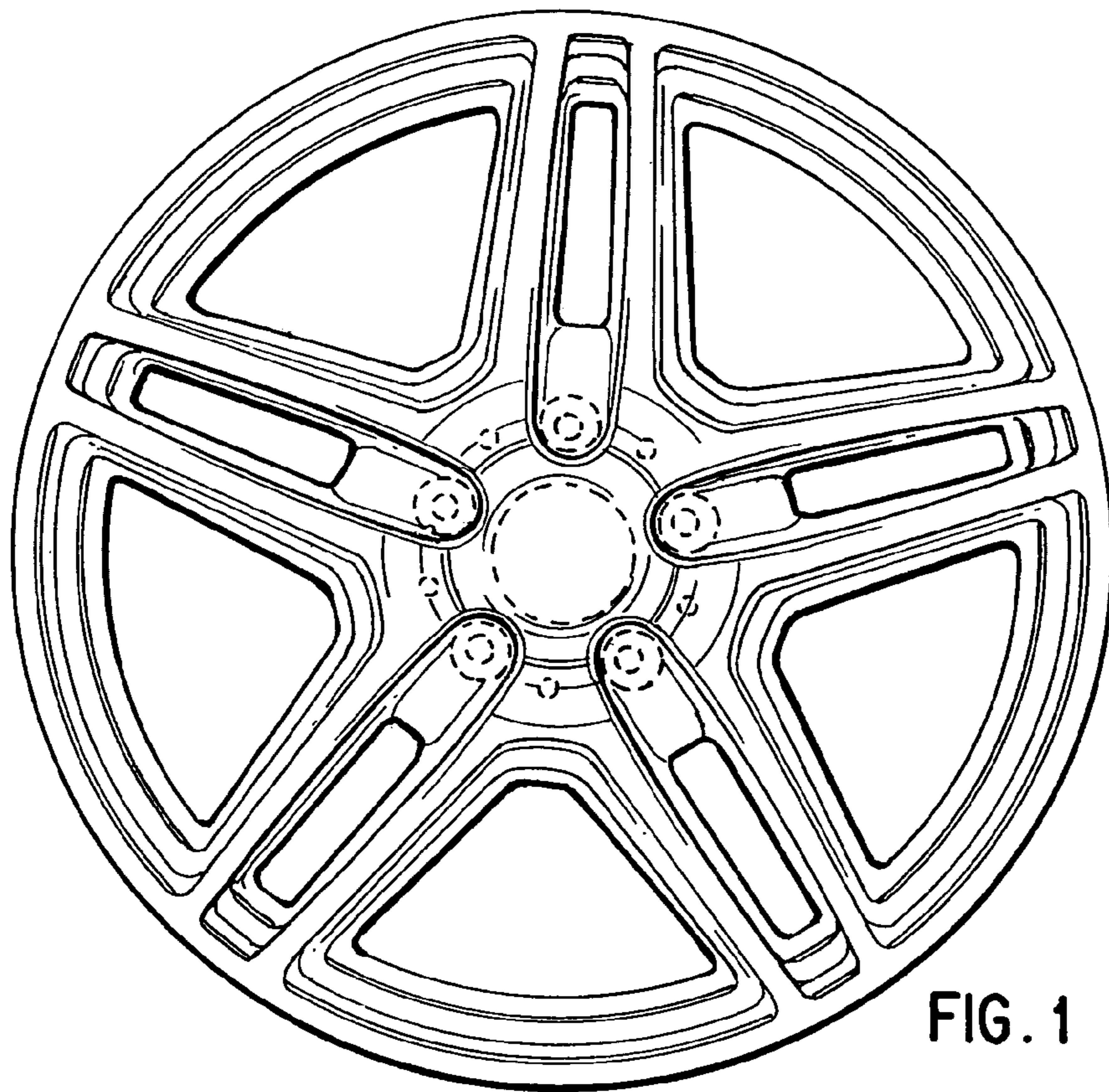


FIG. 1

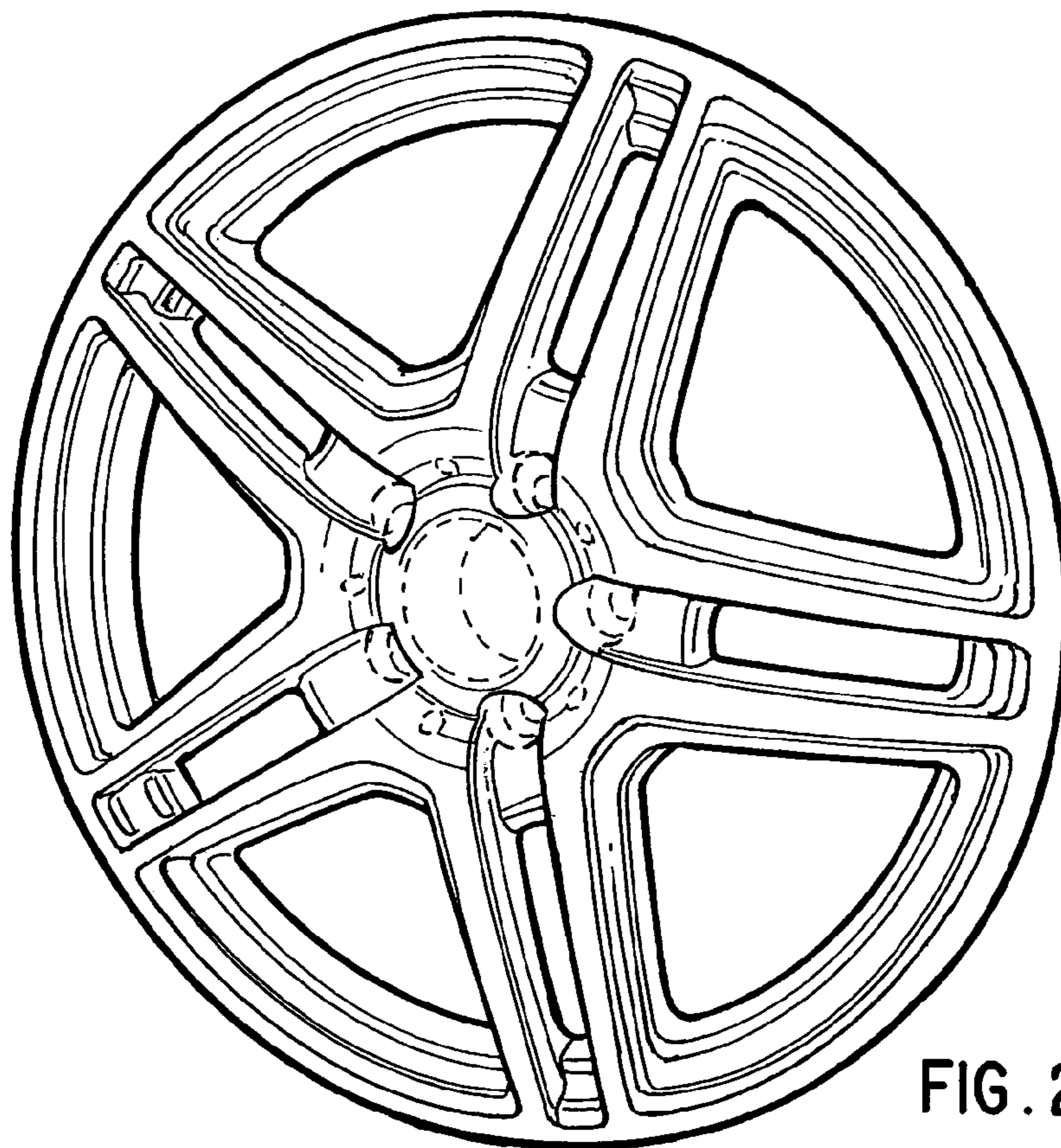


FIG. 2

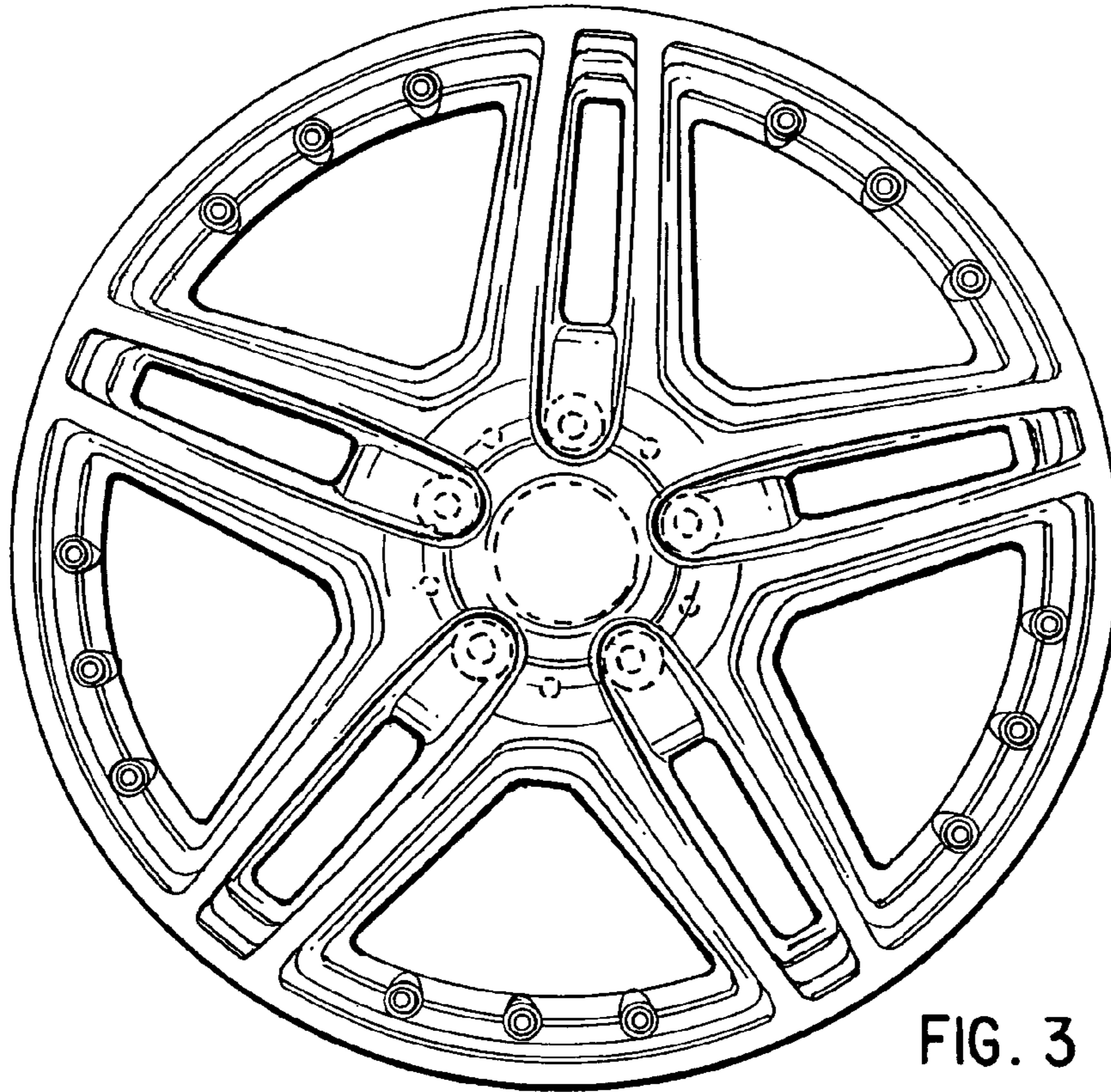


FIG. 3

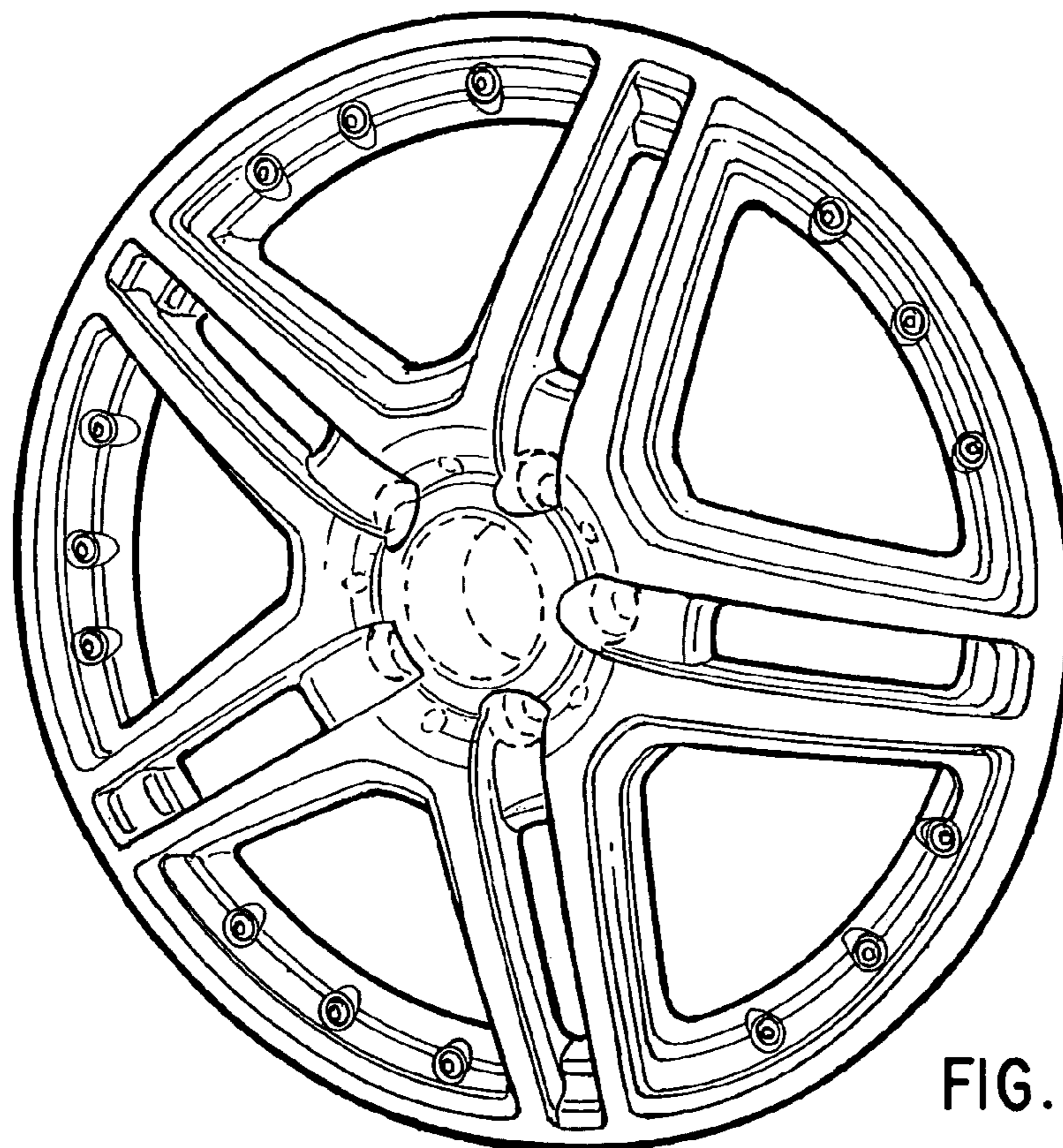


FIG. 4