

US00D544815S

(12) **United States Design Patent**  
**Williams**

(10) **Patent No.:** **US D544,815 S**

(45) **Date of Patent:** **\*\* Jun. 19, 2007**

(54) **MOBILE COOLER**

(76) Inventor: **Dwight Reed Williams**, 42 Patricia Ter., Grayson, GA (US) 30017

(\*\*) Term: **14 Years**

(21) Appl. No.: **29/241,081**

(22) Filed: **Oct. 22, 2005**

(51) **LOC (8) Cl.** ..... **12-10**

(52) **U.S. Cl.** ..... **D12/101**

(58) **Field of Classification Search** ..... D12/101-105;  
D34/17-19, 12, 14; 296/26.01-26.03, 165,  
296/171, 26.12-26.14, 181, 24.1, 183.1,  
296/184.1, 24.3, 173, 190; 280/171-176,  
280/204, 475, 478.1, 656, 789, 202, 400,  
280/482, 418.1, 491.1, 763.1

See application file for complete search history.

(56) **References Cited**

**U.S. PATENT DOCUMENTS**

D259,481 S *	6/1981	Kappos	.....	D12/102
D308,033 S *	5/1990	Cornell	.....	D12/102
D309,124 S *	7/1990	Young	.....	D12/102
D395,261 S *	6/1998	Puhl	.....	D12/102
D408,334 S *	4/1999	Fortunato	.....	D12/102
D464,593 S *	10/2002	Register	.....	D12/102

D489,294 S *	5/2004	Ashinhurst	.....	D12/102
D515,465 S *	2/2006	Sumida	.....	D12/102
D530,242 S *	10/2006	Prusmack	.....	D12/101
2006/0055193 A1 *	3/2006	Colborne	.....	296/24.3

\* cited by examiner

*Primary Examiner*—Stacia Cadmus

(74) *Attorney, Agent, or Firm*—George Ronald Reardon

(57) **CLAIM**

The ornamental design for a mobile cooler, as shown and described.

**DESCRIPTION**

A self-contained walk-in mobile cooler for use in preserving and transporting perishable items, e.g. food, liquids, medical items.

FIG. 1 is a perspective view of a mobile cooler.

FIG. 2 is a front plan view of a mobile cooler.

FIG. 3 is a rear plan view of a mobile cooler.

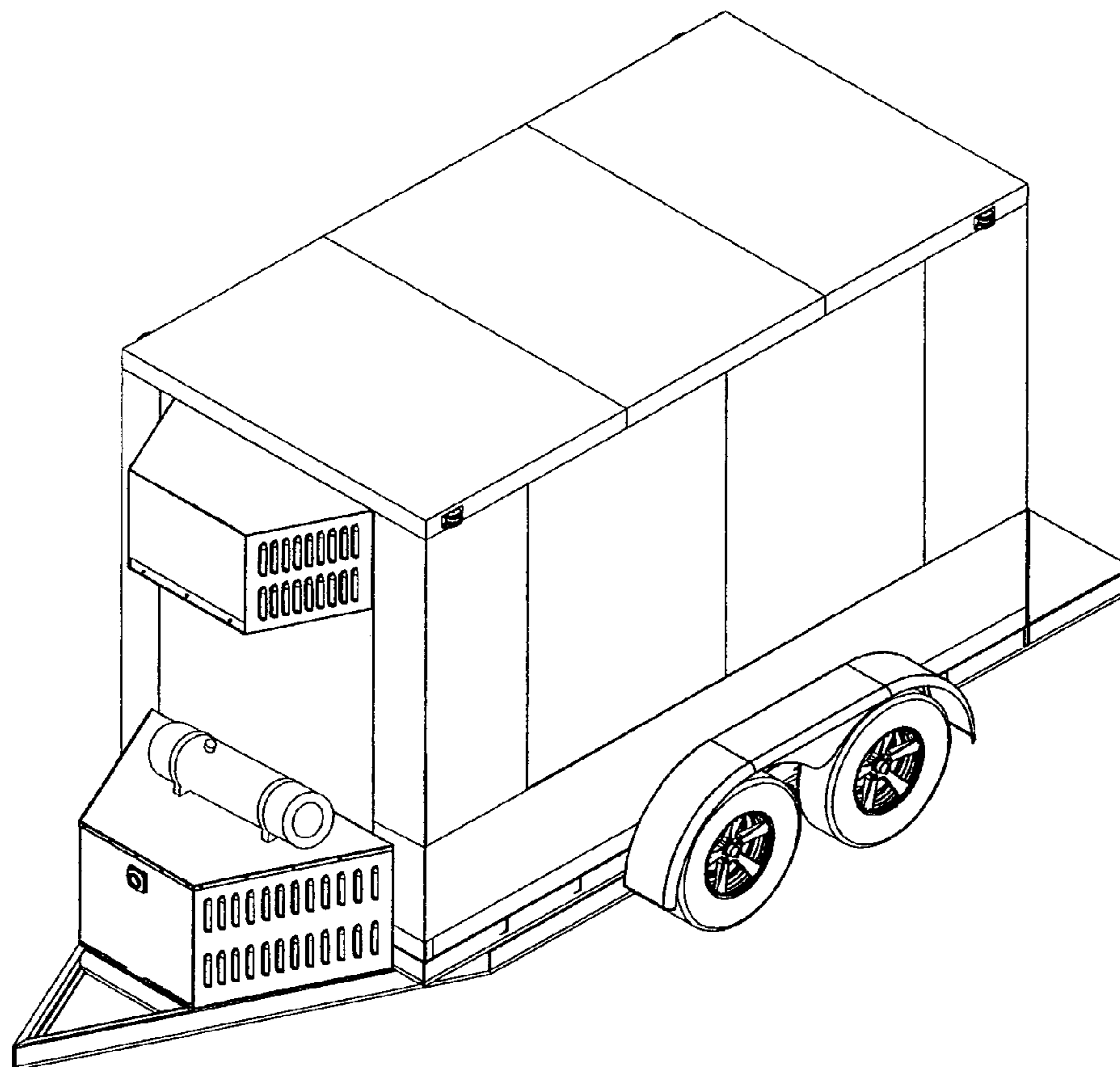
FIG. 4 is a top plan view of a mobile cooler.

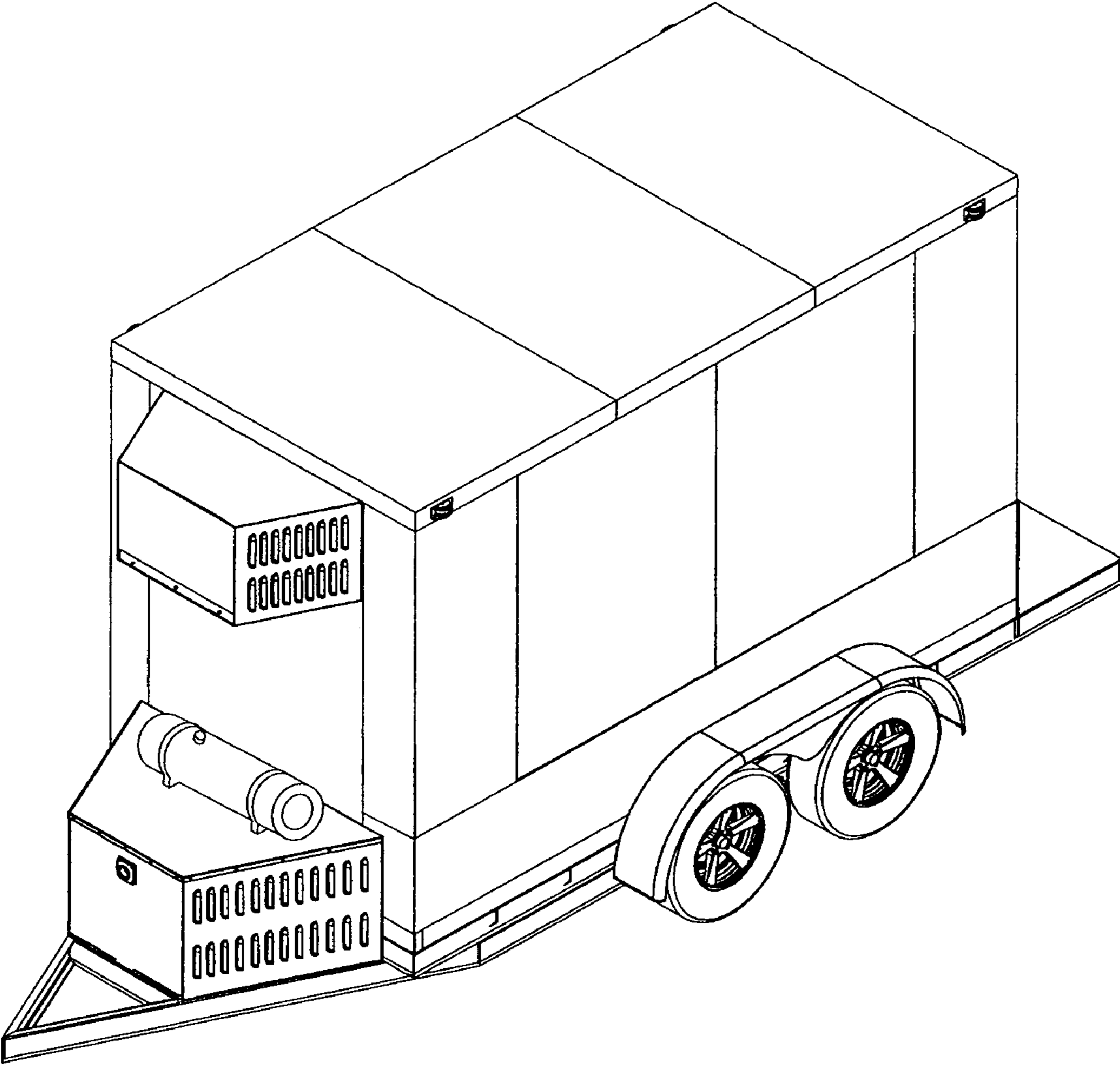
FIG. 5 is a bottom plan view of a mobile cooler.

FIG. 6 is a right side plan view of a mobile cooler; and,

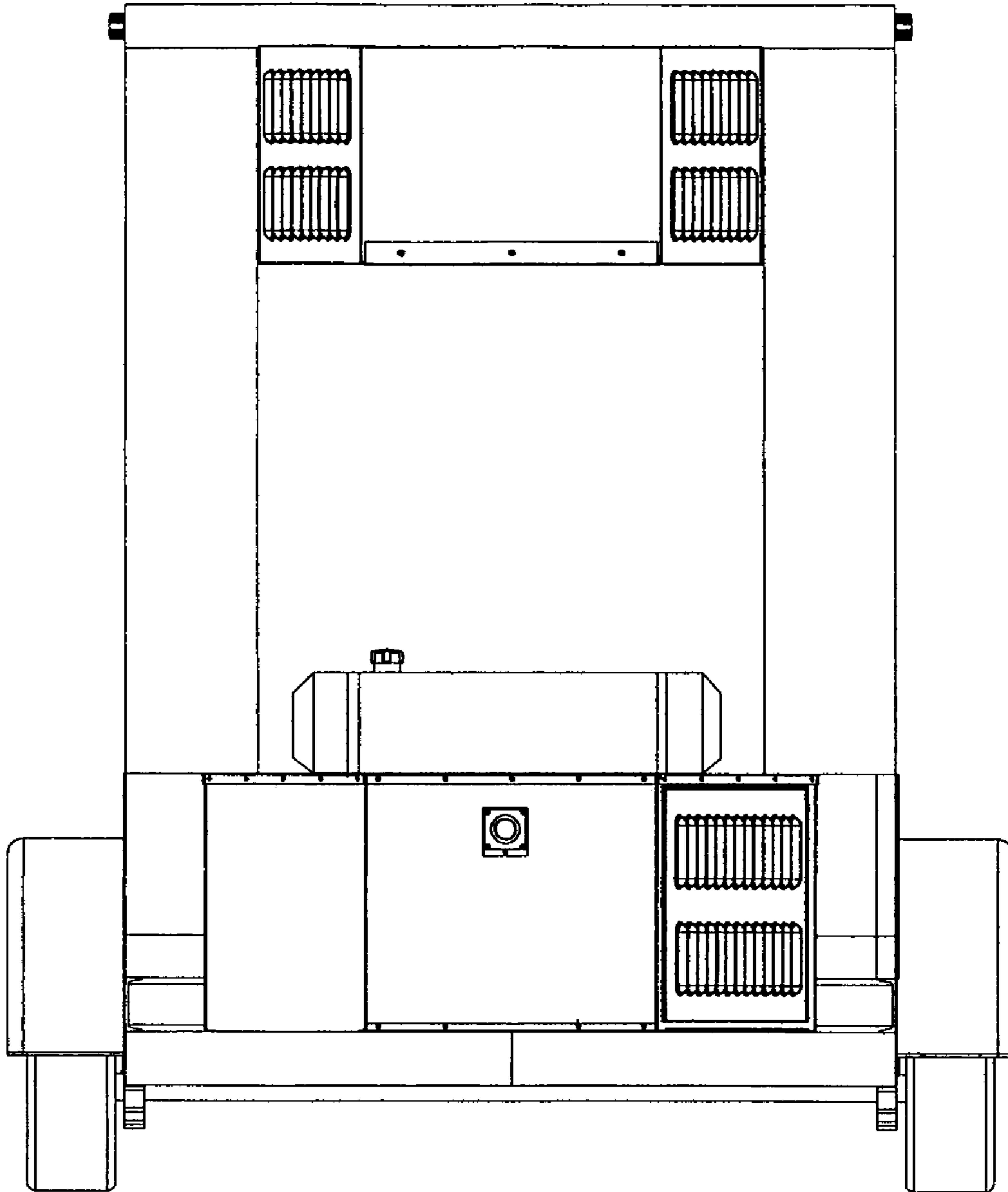
FIG. 7 is a left side plan view of a mobile cooler.

**1 Claim, 7 Drawing Sheets**

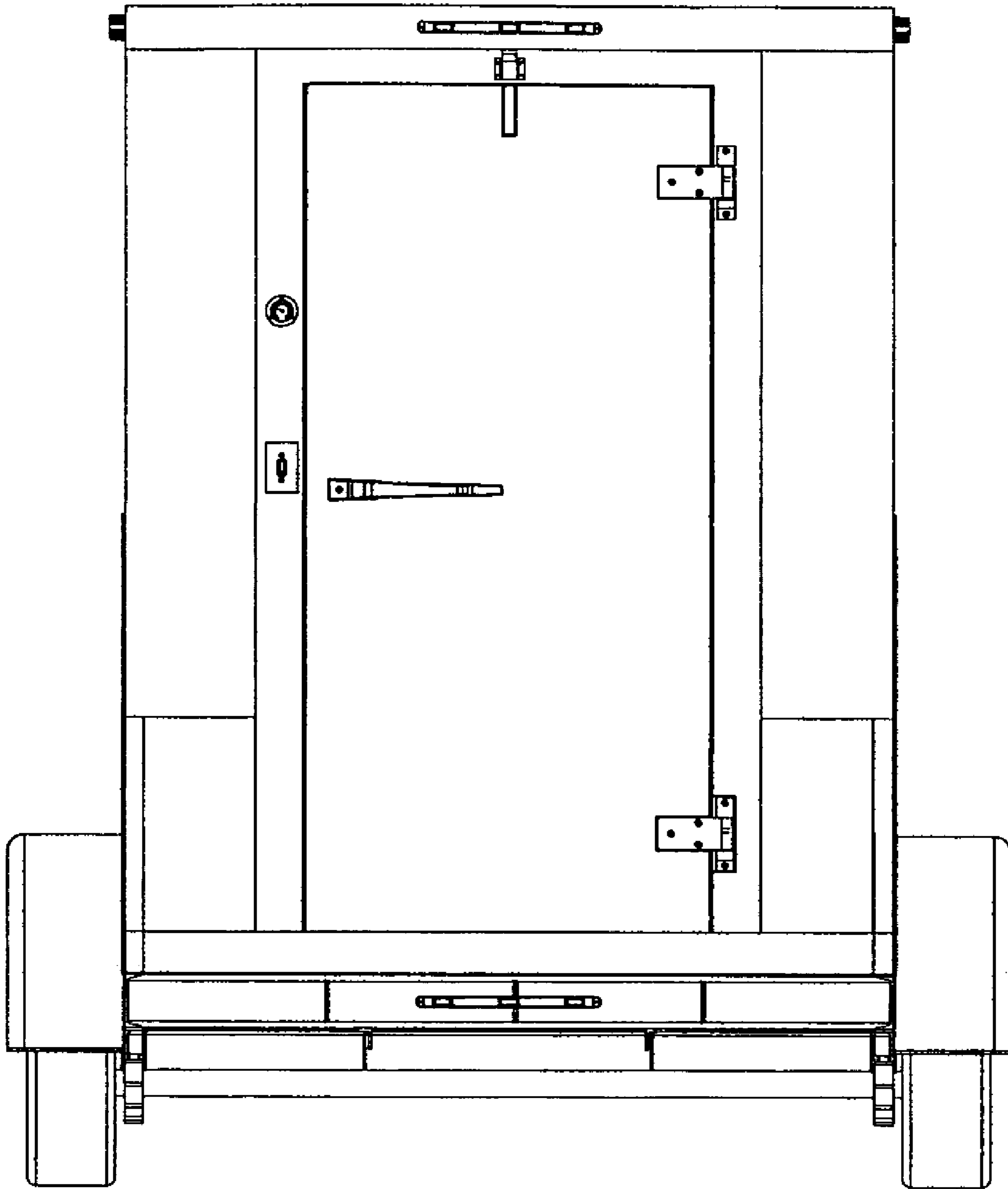




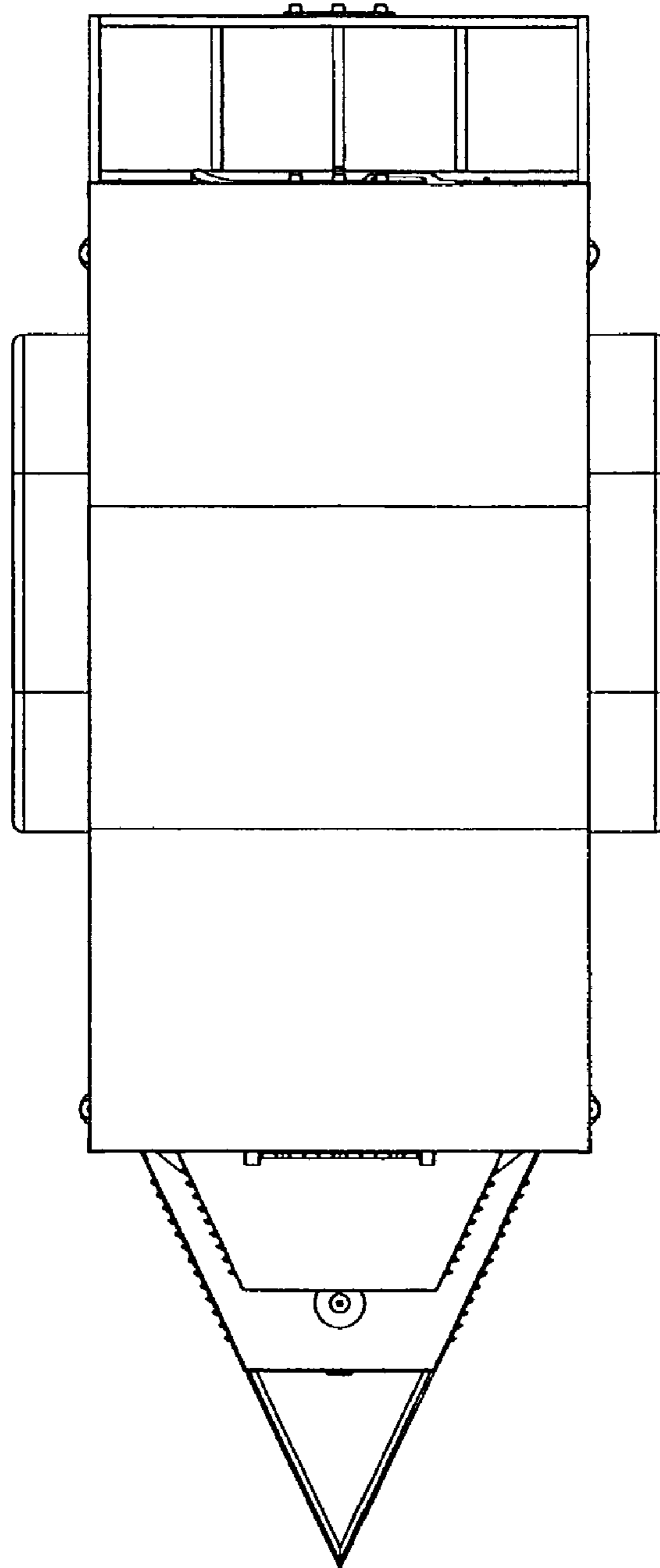
**FIG. 1**



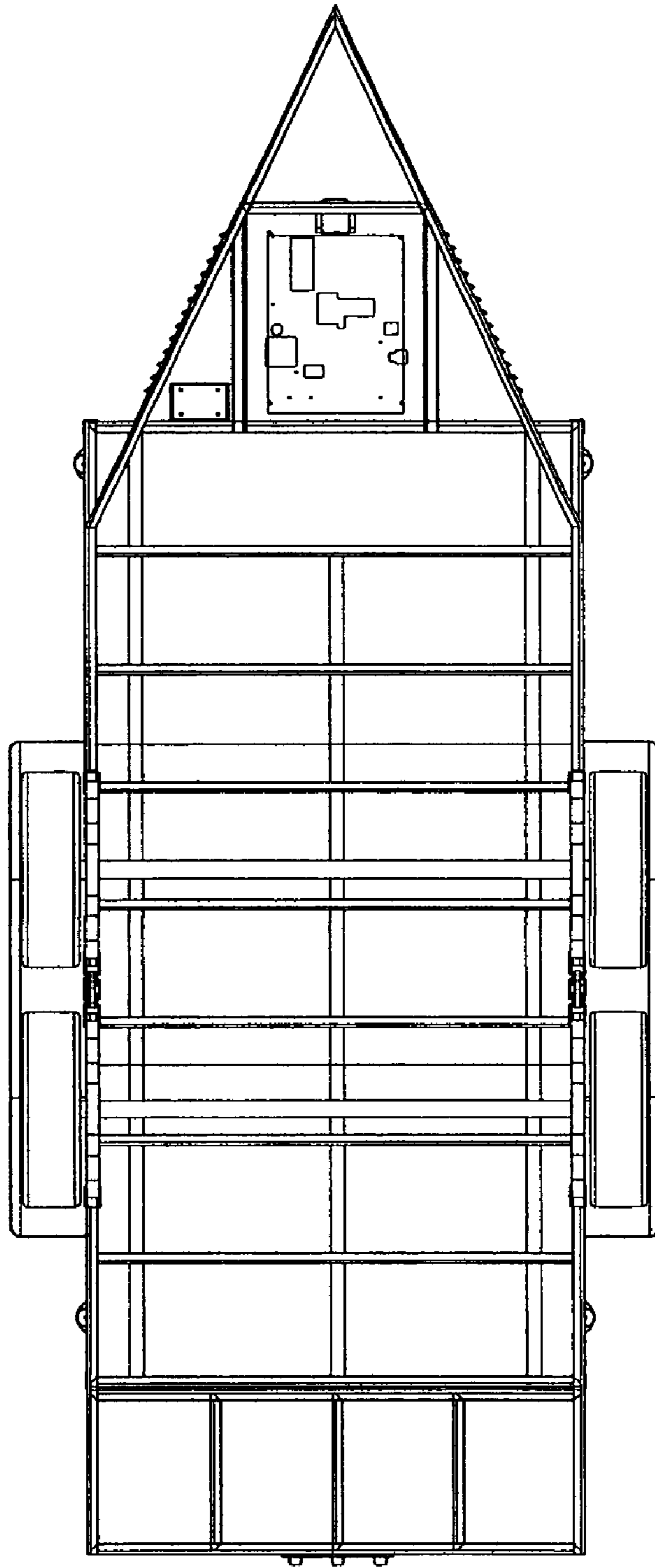
**FIG. 2**



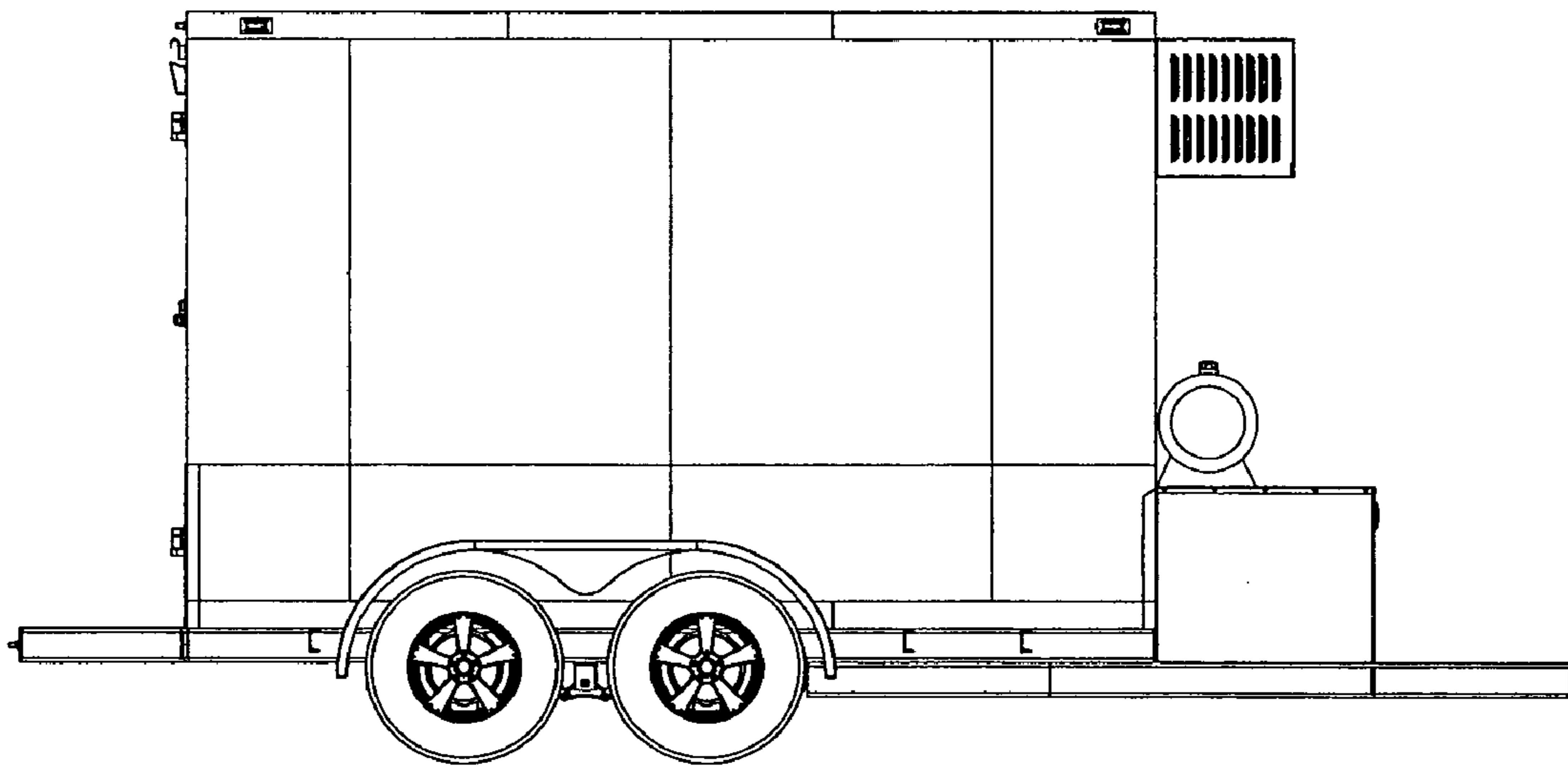
**FIG. 3**



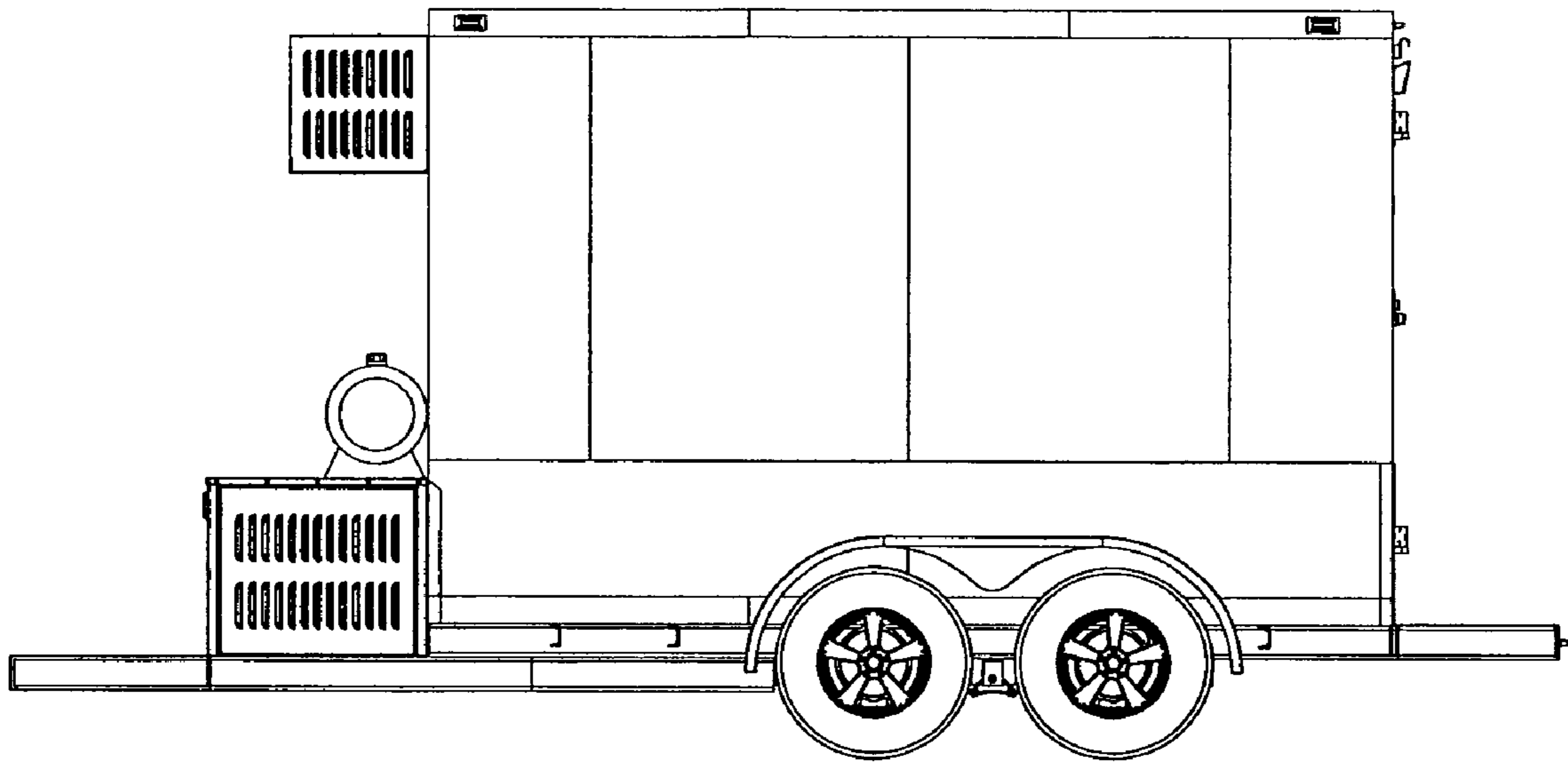
**FIG. 4**



**FIG. 5**



**FIG. 6**



**FIG. 7**