

US00D544814S

(12) **United States Design Patent**  
**Gunby**

(10) **Patent No.:** **US D544,814 S**

(45) **Date of Patent:** **\*\* Jun. 19, 2007**

(54) **AERODYNAMIC TRANSPORTER**  
(76) Inventor: **William Gunby**, 2740 SW. Martin  
Downs Blvd. #251, Palm City, FL (US)  
34990

D229,613 S \* 12/1973 Davis et al. .... D12/91  
D510,299 S \* 10/2005 Gunby ..... D12/82  
D511,999 S \* 11/2005 Gunby ..... D12/86  
D516,955 S \* 3/2006 Gunby ..... D12/86  
D531,549 S \* 11/2006 Gunby ..... D12/103  
D532,719 S \* 11/2006 Gunby ..... D12/103

(\*\*) Term: **14 Years**

\* cited by examiner

(21) Appl. No.: **29/238,652**

*Primary Examiner*—Louis S. Zarfes

*Assistant Examiner*—Anna Dworzecka

(22) Filed: **Sep. 20, 2005**

(74) *Attorney, Agent, or Firm*—Connolly Bove Lodge &  
Hutz, LLP; Larry J. Hume

**Related U.S. Application Data**

(63) Continuation-in-part of application No. 29/187,494,  
filed on Aug. 4, 2003, now Pat. No. Des. 516,955,  
which is a continuation of application No. 29/186,  
141, filed on Jul. 11, 2003, now Pat. No. Des. 510,  
299.

(57) **CLAIM**

The ornamental design for an aerodynamic transporter, as  
shown and described.

(51) **LOC (8) Cl.** ..... **12-14**  
(52) **U.S. Cl.** ..... **D12/1; D12/86; D12/82**  
(58) **Field of Classification Search** ..... D12/1,  
D12/86, 91, 84, 100, 103, 105, 97; 296/24.1,  
296/156, 168, 178, 181.1, 183.1, 190.1, 181,  
296/183, 190; 280/423.1  
See application file for complete search history.

**DESCRIPTION**

FIG. 1 is a perspective view of the transporter-as viewed  
from the left, front side of the transporter;  
FIG. 2 is a left side elevation view of the transporter;  
FIG. 3 is a right side elevation view of the transporter;  
FIG. 4 is a top view of the transporter;  
FIG. 5 is a rear view of the transporter; and,  
FIG. 6 is a front view of the transporter.

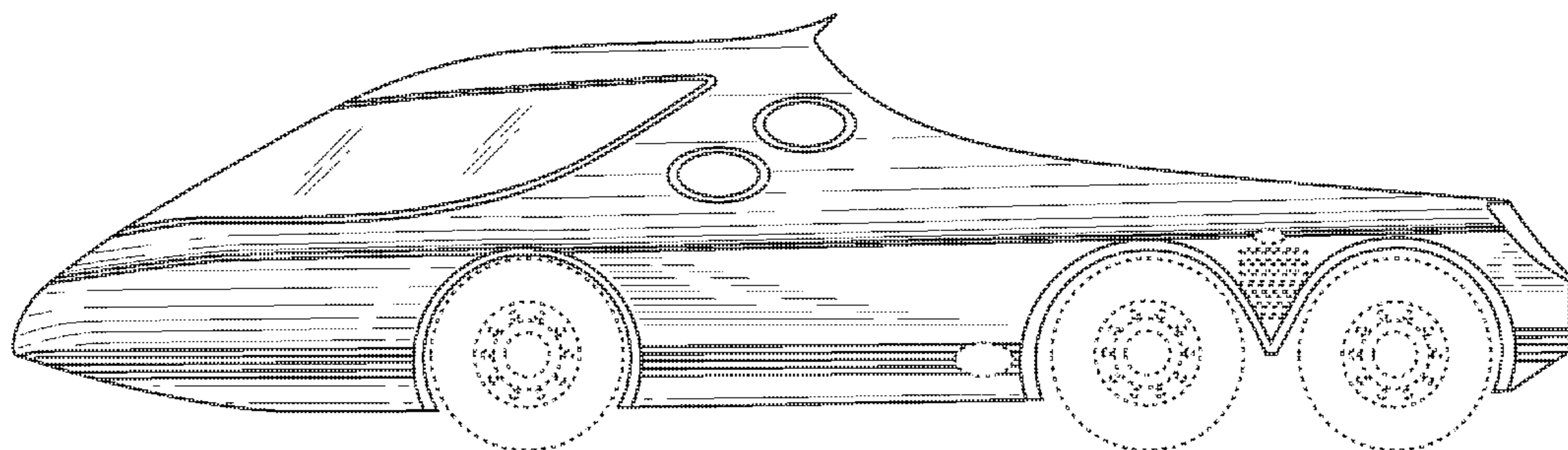
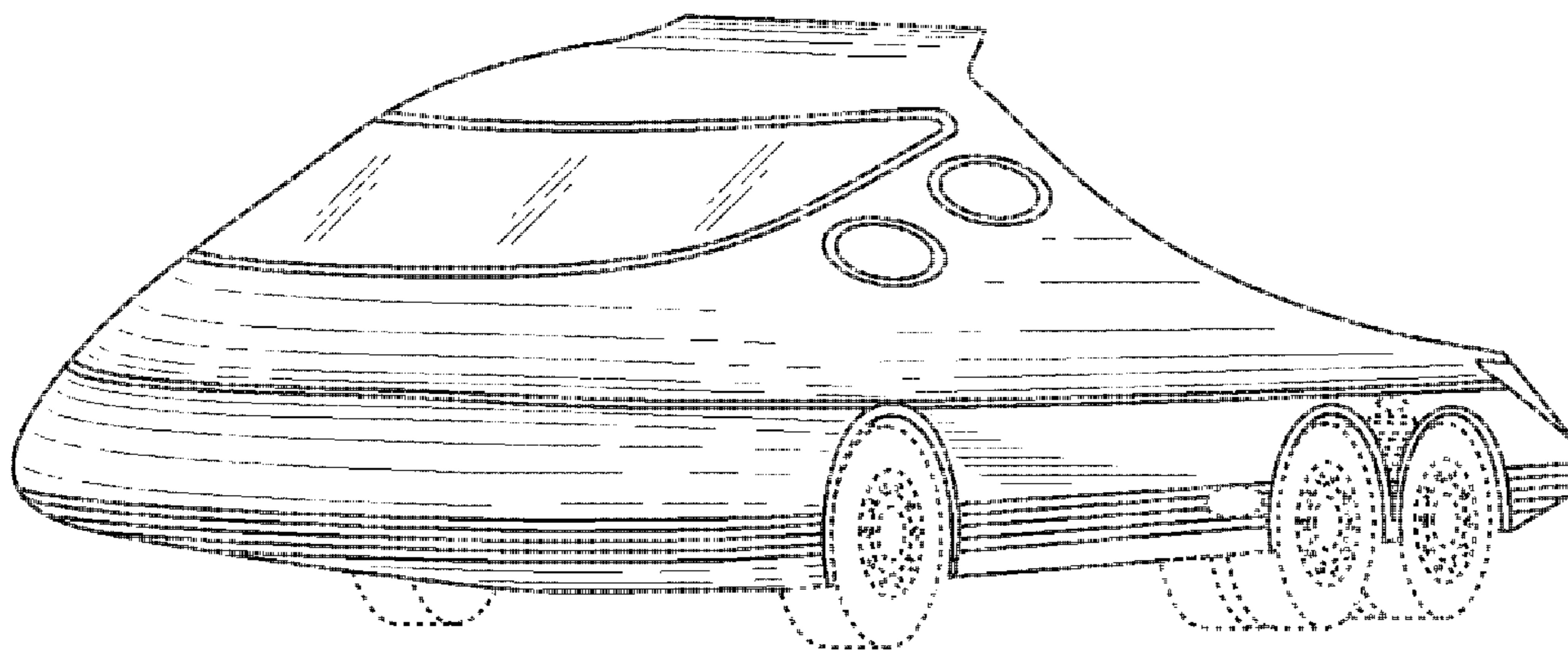
The portions of the aerodynamic transporter shown in bro-  
ken lines form no part of the claimed design.

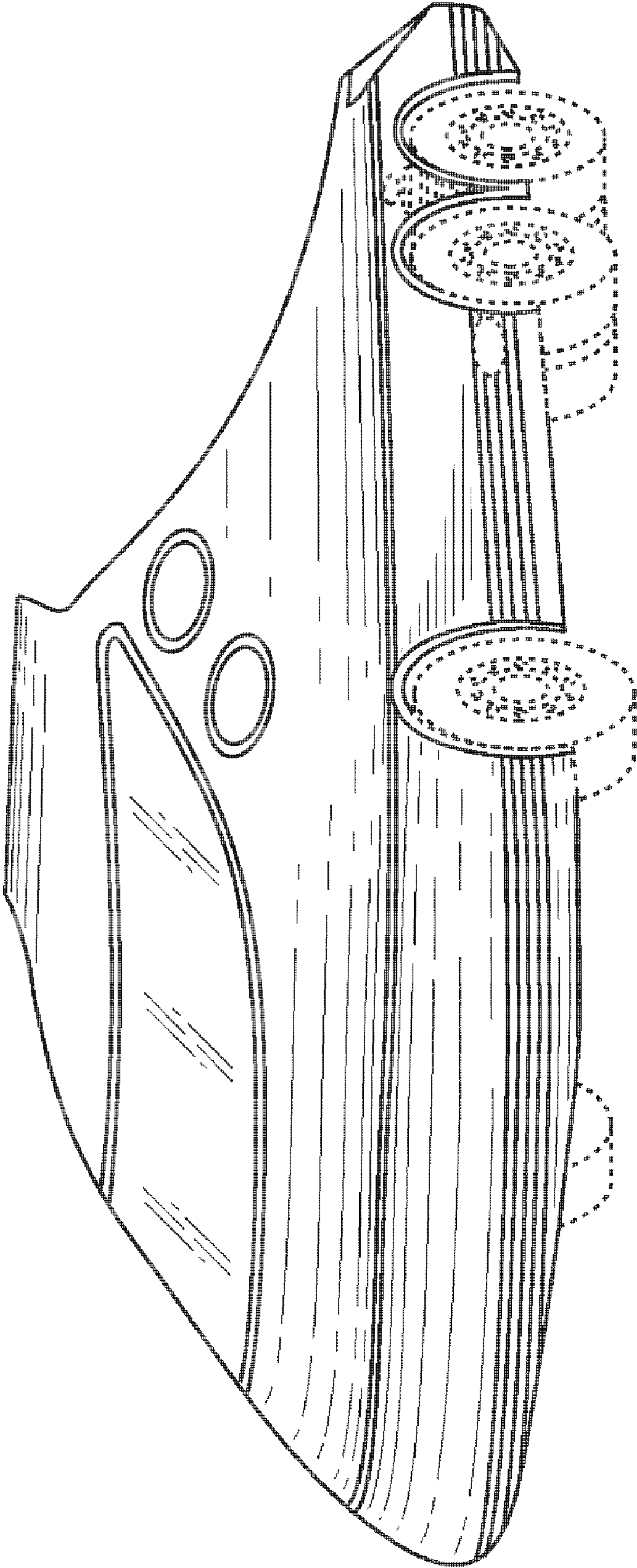
(56) **References Cited**

**U.S. PATENT DOCUMENTS**

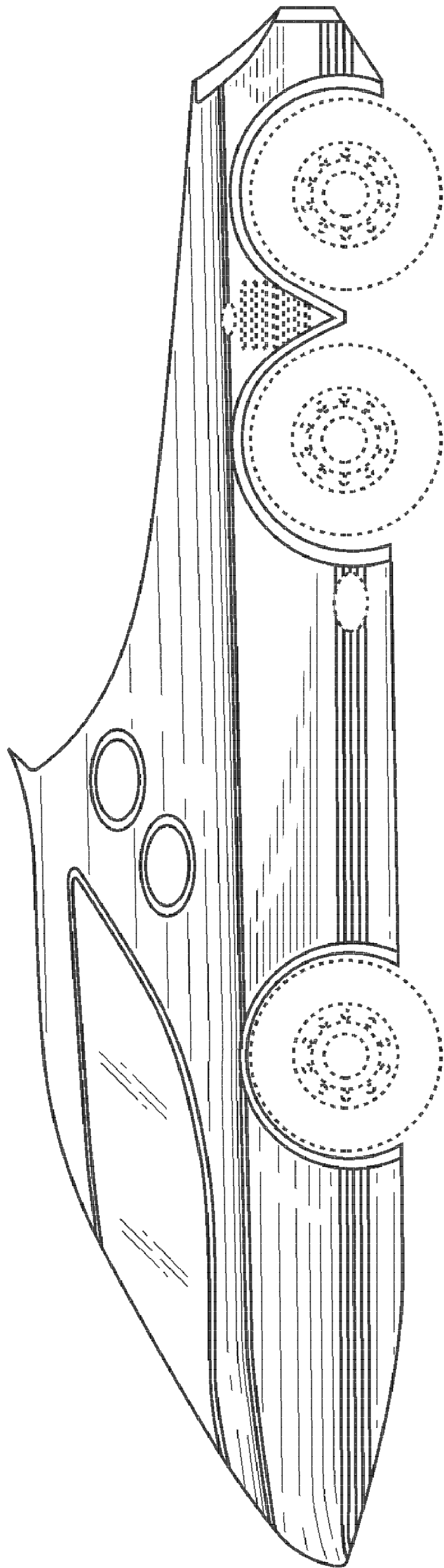
D116,323 S \* 8/1939 Huxter ..... D12/105  
D154,847 S \* 8/1949 Harkless ..... D12/315

**1 Claim, 5 Drawing Sheets**

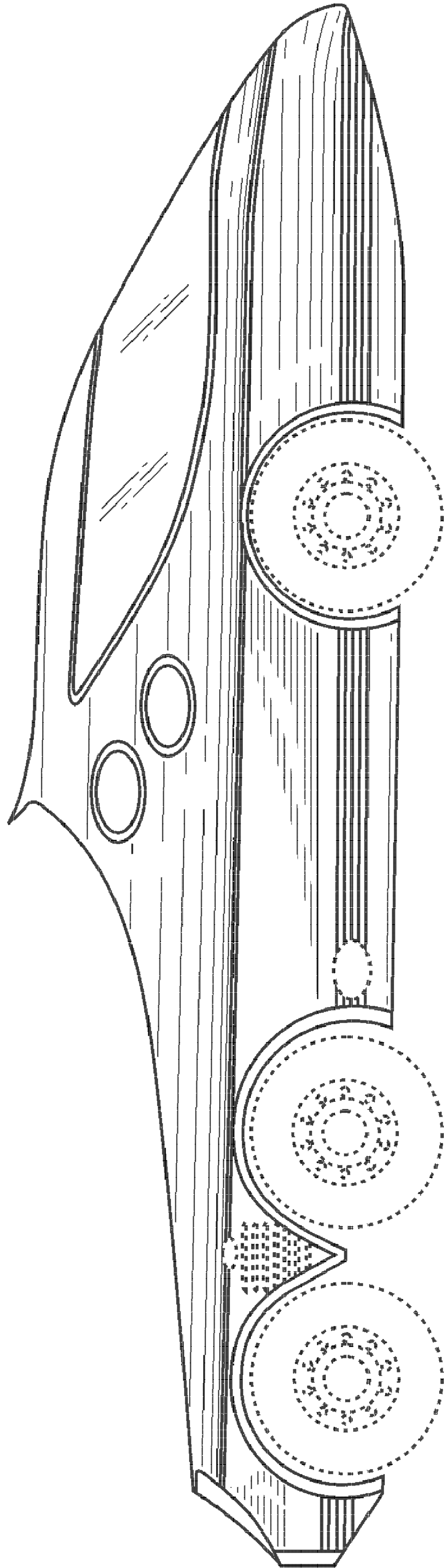




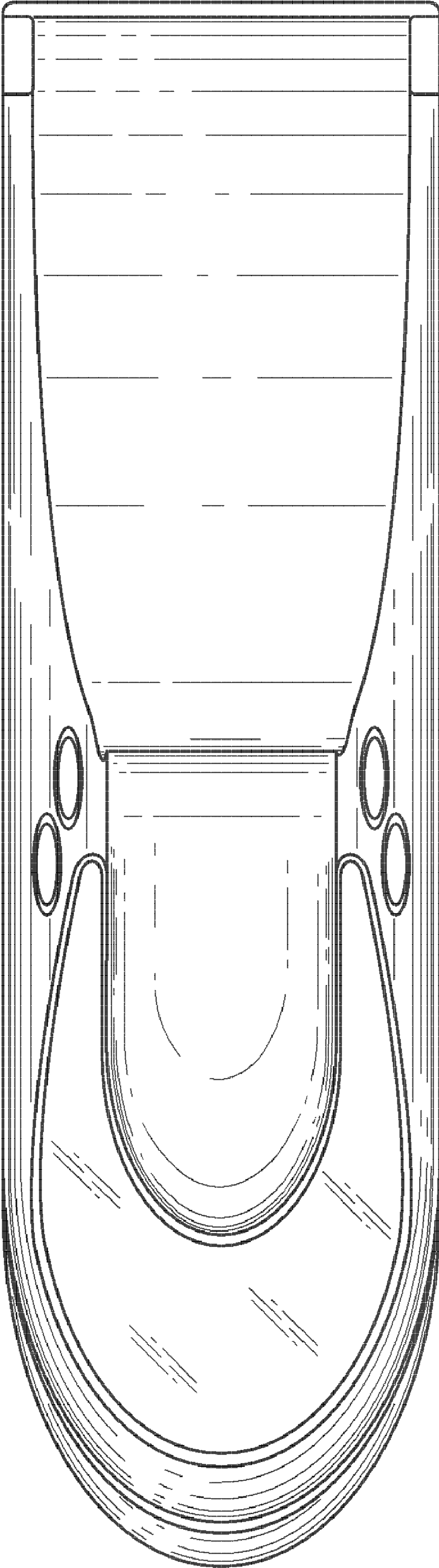
**FIG. 1**



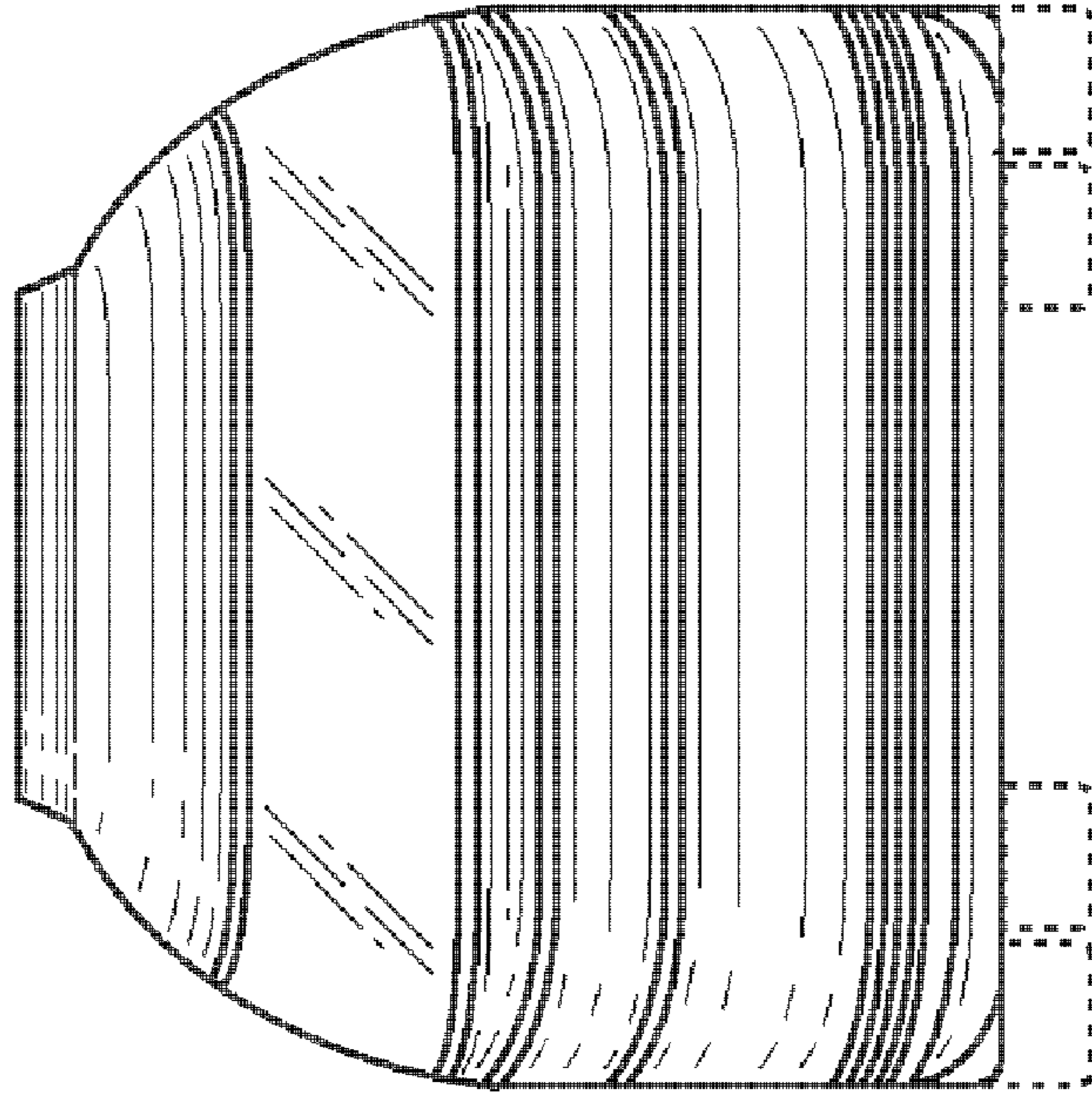
**FIG. 2**



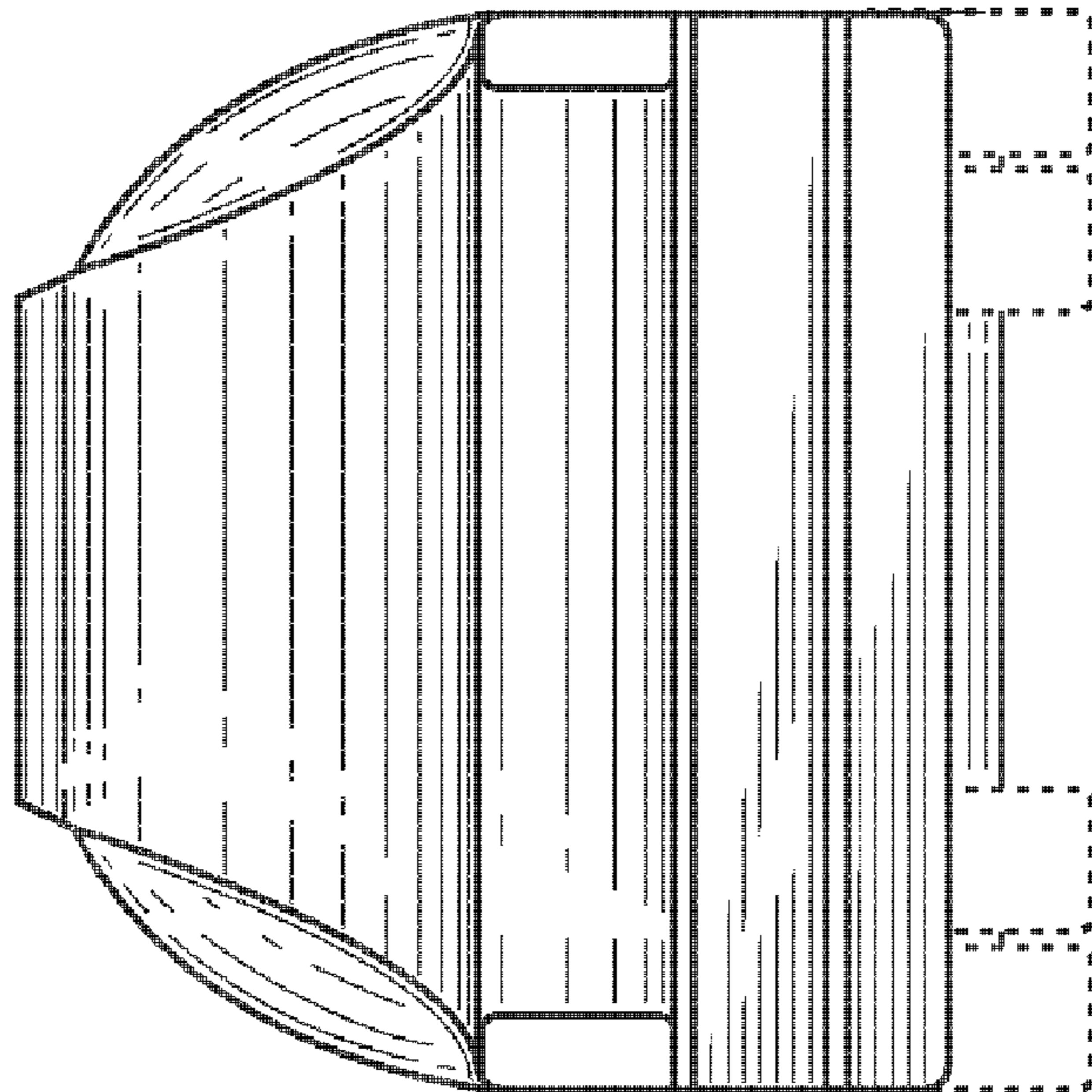
**FIG. 3**



**FIG. 4**



**FIG. 5**



**FIG. 6**