



US00D544813S

(12) **United States Design Patent**
Schmidt

(10) **Patent No.:** **US D544,813 S**

(45) **Date of Patent:** **** Jun. 19, 2007**

(54) **PLANT POT**

(75) Inventor: **Guido Schmidt**, Dinklage (DE)

(73) Assignee: **Poeppelmann Holding GmbH & Co. KG**, Lohne (DE)

(**) Term: **14 Years**

(21) Appl. No.: **29/246,896**

(22) Filed: **May 19, 2006**

(30) **Foreign Application Priority Data**

Nov. 22, 2005 (EM) 000 434 865

(51) **LOC (8) Cl.** **11-02**

(52) **U.S. Cl.** **D11/152; D11/151**

(58) **Field of Classification Search** D6/403,
D6/404, 556-558; D7/515, 518, 521, 523,
D7/549, 554.3, 562, 564; D11/143-149,
D11/151-156; D19/77, 80-82, 84, 85; D26/9,
D26/16; 47/32.7, 33, 39, 41.01, 4.11, 41.12-41.15,
47/44-46, 65.5, 66.1, 66.6, 66.7, 67-71
See application file for complete search history.

(56) **References Cited**

U.S. PATENT DOCUMENTS

D43,267 S * 11/1912 Carlson D11/151
D296,062 S * 6/1988 Durand D7/564

D307,123 S * 4/1990 Lene D11/151
D353,094 S * 12/1994 Labrie D11/152
D412,232 S * 7/1999 Anderson D11/152
D432,455 S * 10/2000 Rosenberg D11/152
D436,888 S * 1/2001 Sellers D11/152
D453,488 S * 2/2002 McCauley D11/152
D460,019 S * 7/2002 Thimm D11/148
D483,690 S * 12/2003 Sieverding D11/152
D485,710 S * 1/2004 Burkhart et al. D11/152
D503,654 S * 4/2005 Harbaugh D11/151

* cited by examiner

Primary Examiner—Robert M. Spear

Assistant Examiner—Garth Rademaker

(74) *Attorney, Agent, or Firm*—Porter, Wright, Morris & Arthur, LLP

(57) **CLAIM**

The ornamental design for a plant pot, as shown and described.

DESCRIPTION

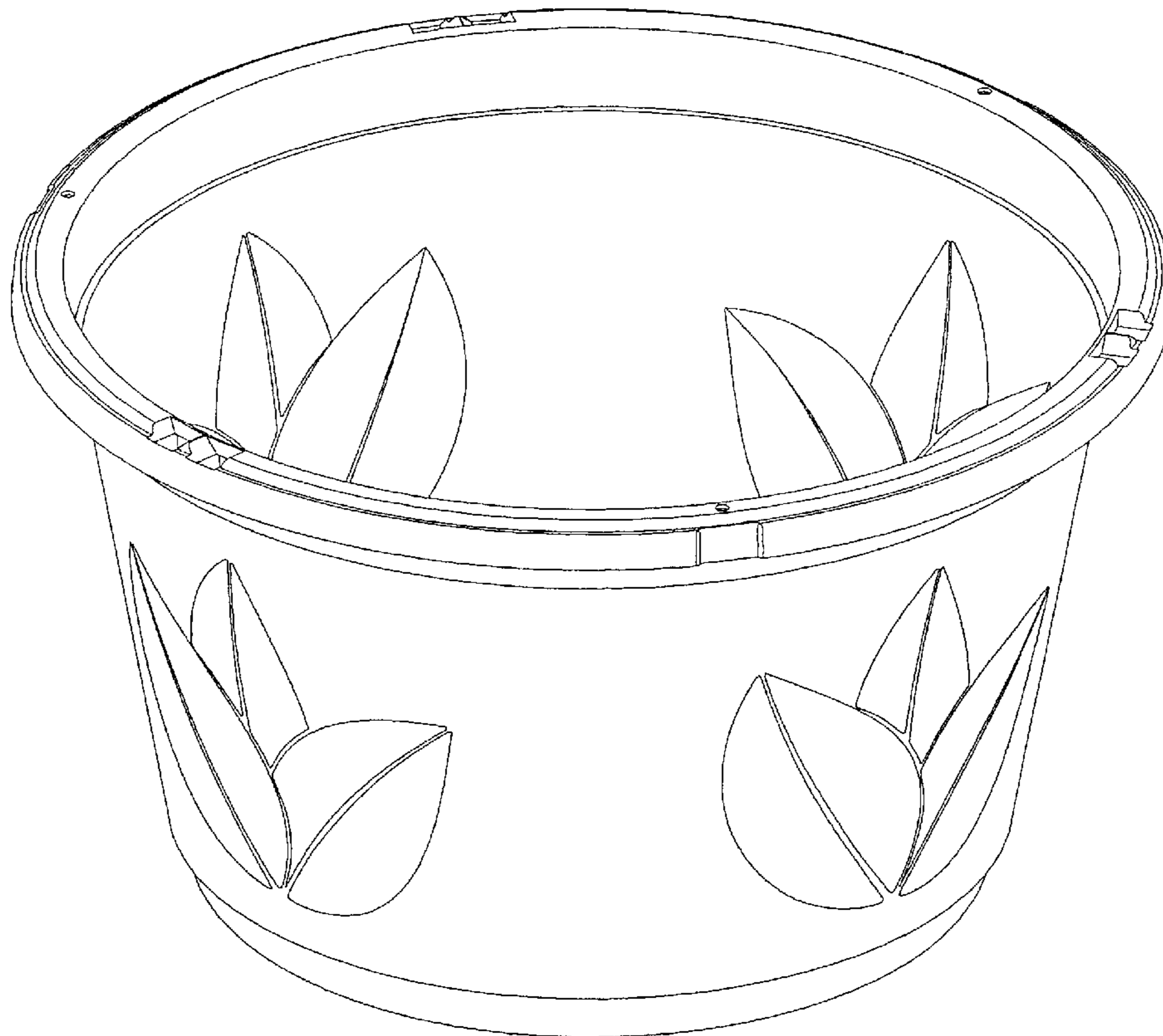
FIG. 1 is a perspective view of a plant pot showing my new design;

FIG. 2 is a right side elevational view thereof;

FIG. 3 is a top plan view thereof; and,

FIG. 4 is a bottom plan view thereof.

1 Claim, 4 Drawing Sheets



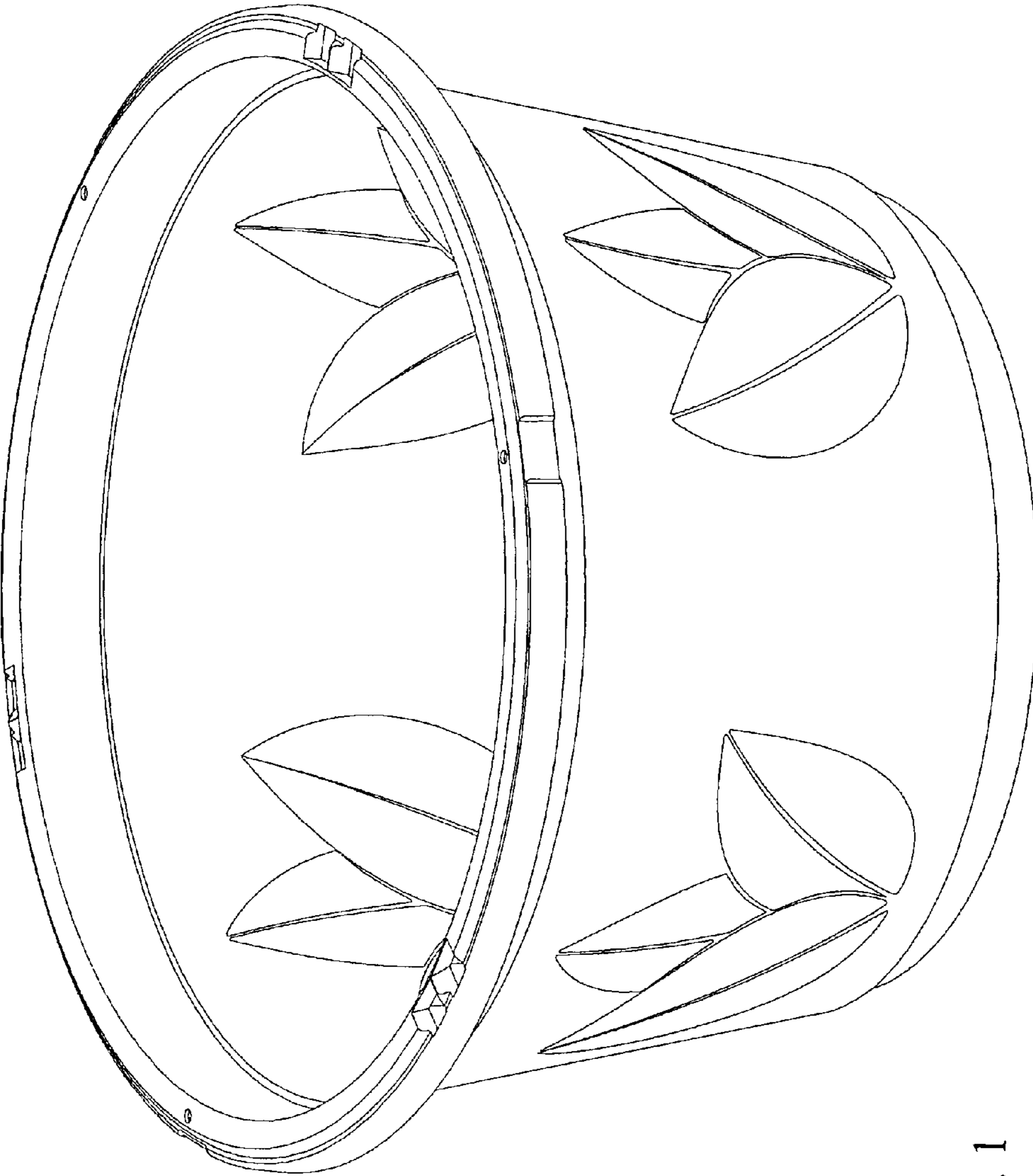


FIG. 1

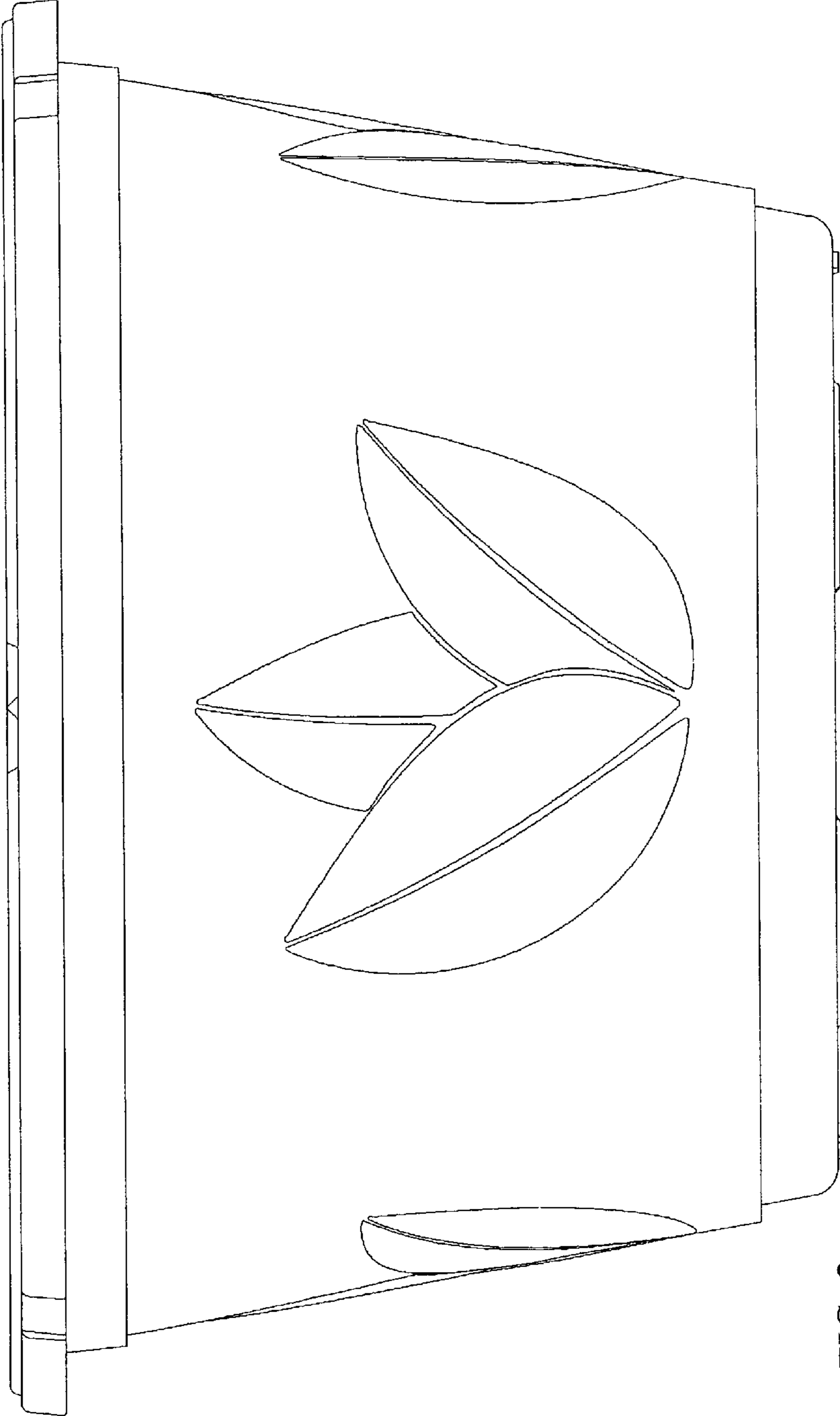


FIG. 2

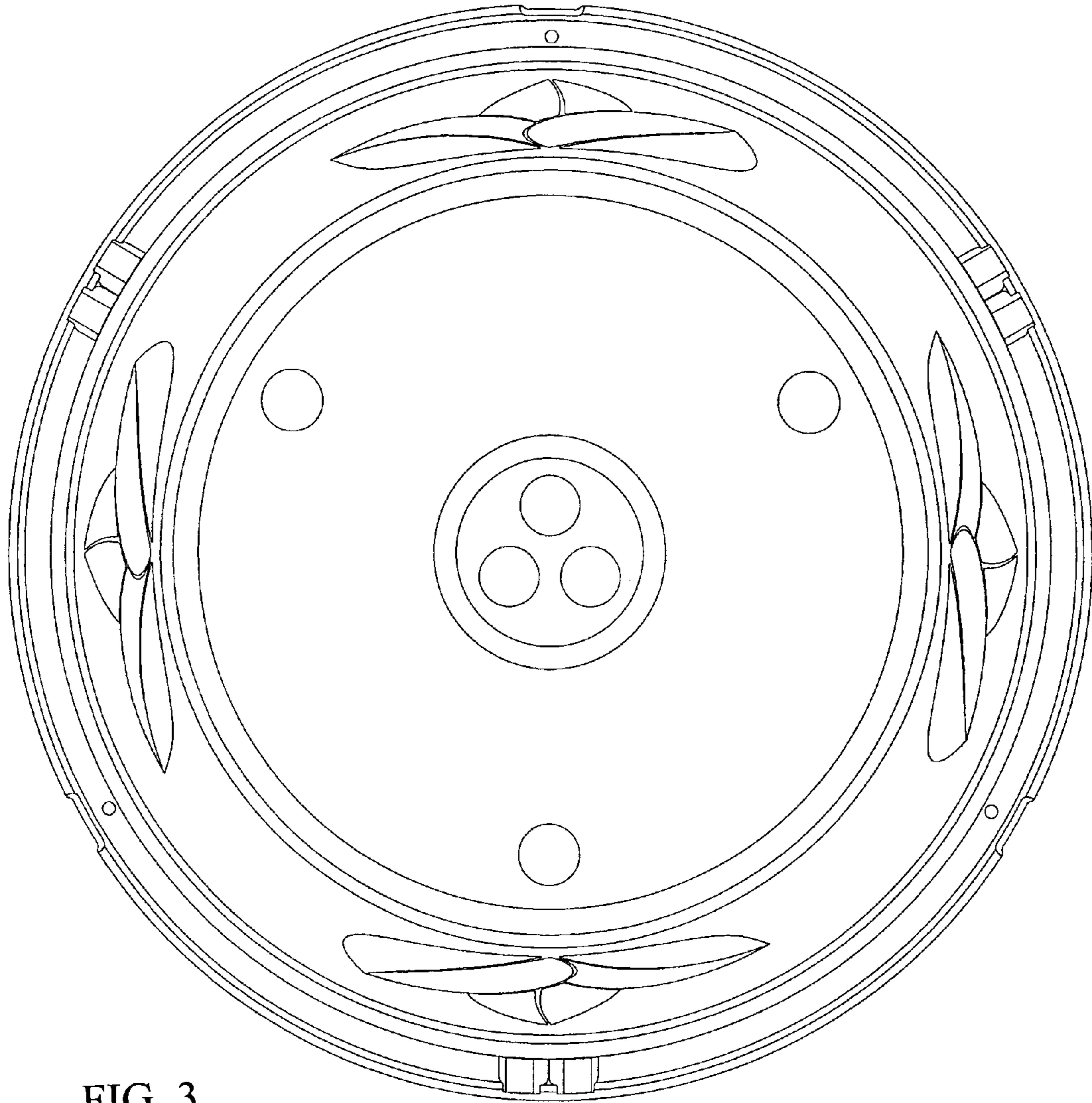


FIG. 3

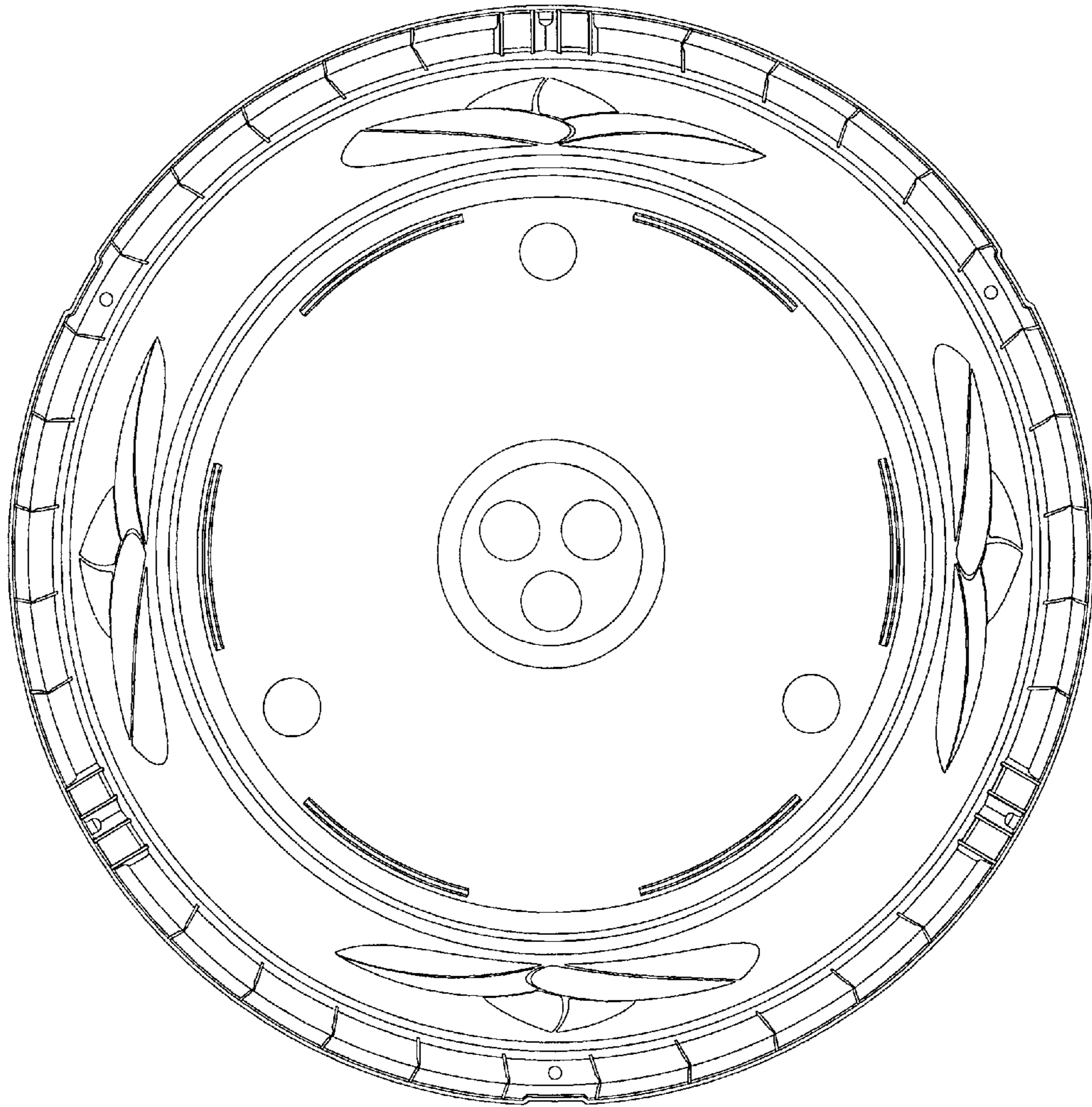


FIG. 4