



US00D544805S

(12) **United States Design Patent**
Corrigan et al.

(10) **Patent No.:** **US D544,805 S**

(45) **Date of Patent:** **** Jun. 19, 2007**

(54) **WARNING LIGHT**

(75) Inventors: **Robert W. Corrigan**, Boise, ID (US);
Gerd O. Schmidt, Wuppertal (DE);
Wilfried Drewes, Altenbeken (DE)

(73) Assignees: **Electronic Controls Company**, Boise,
ID (US); **Ella KGAA Hueck & Co.**,
Lippstadt (DE)

(**) Term: **14 Years**

(21) Appl. No.: **29/238,075**

(22) Filed: **Sep. 9, 2005**

(51) **LOC (8) Cl.** **10-05**

(52) **U.S. Cl.** **D10/111**

(58) **Field of Classification Search** D10/104-121;
D26/72, 85; 362/253, 806, 364, 158, 157,
362/108, 103, 40, 414, 431, 183-208; 340/815,
340/432, 908.1, 815.03, 760, 761, 767, 782,
340/471, 473

See application file for complete search history.

(56) **References Cited**

U.S. PATENT DOCUMENTS

D261,048 S * 9/1981 Price D26/24
D267,156 S * 12/1982 Phelps D10/114
D297,717 S * 9/1988 Chu D10/104
D352,915 S * 11/1994 Wang D10/114

D402,577 S * 12/1998 Payne et al. D10/114
6,445,132 B1 * 9/2002 Ford 315/56
D471,124 S * 3/2003 Brown et al. D10/111
D513,477 S * 1/2006 Heftman D10/111
2005/0281039 A1 * 12/2005 Yeh 362/396

* cited by examiner

Primary Examiner—Robert M. Spear

Assistant Examiner—George D. Kirschbaum, Jr.

(74) *Attorney, Agent, or Firm*—Joseph W. Holland

(57) **CLAIM**

The ornamental design for a warning light, as shown and described.

DESCRIPTION

FIG. 1 is a perspective view of a warning light showing my new design;

FIG. 2 is a top view thereof;

FIG. 3 is a first side view thereof;

FIG. 4 is a second side view thereof;

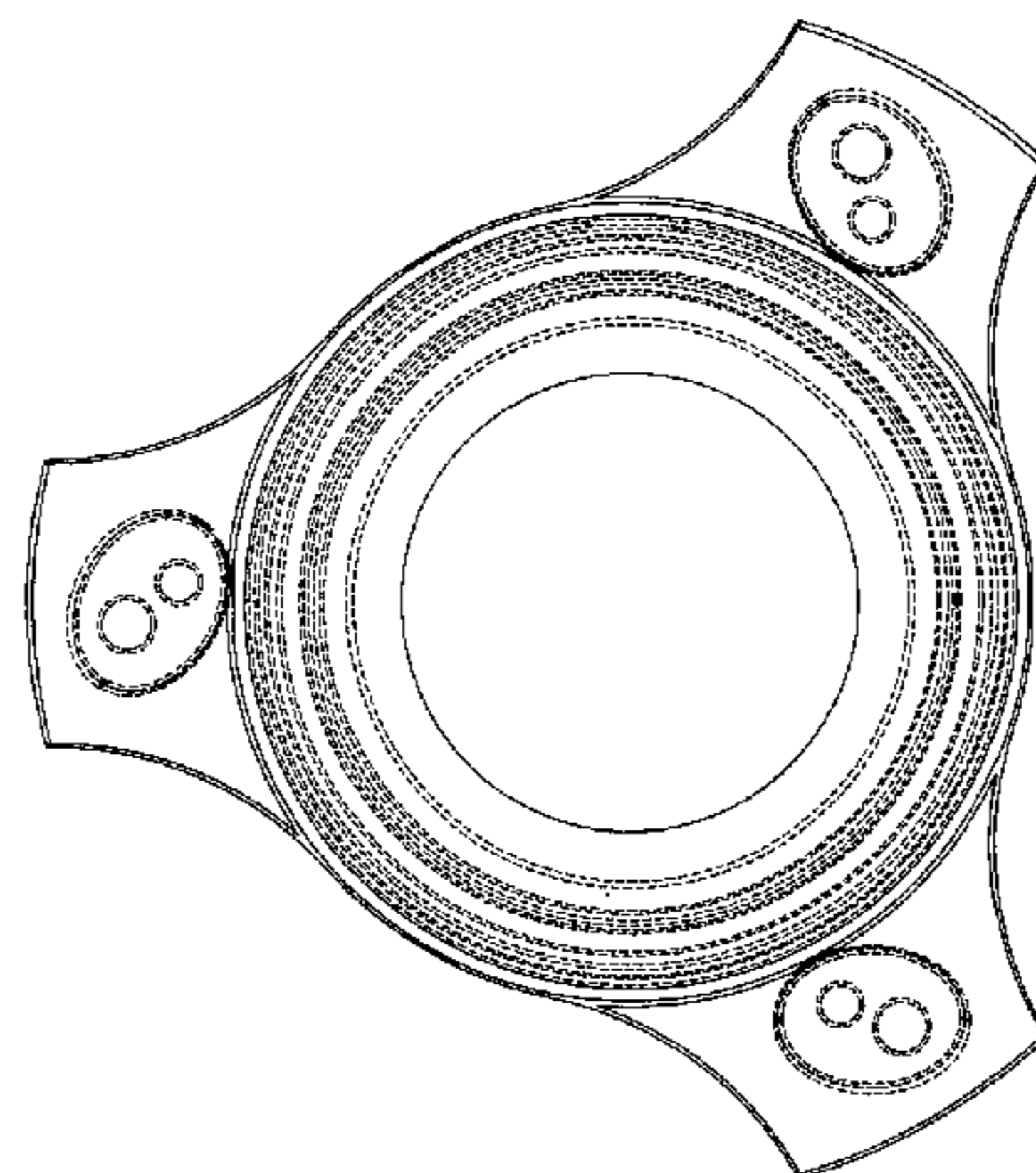
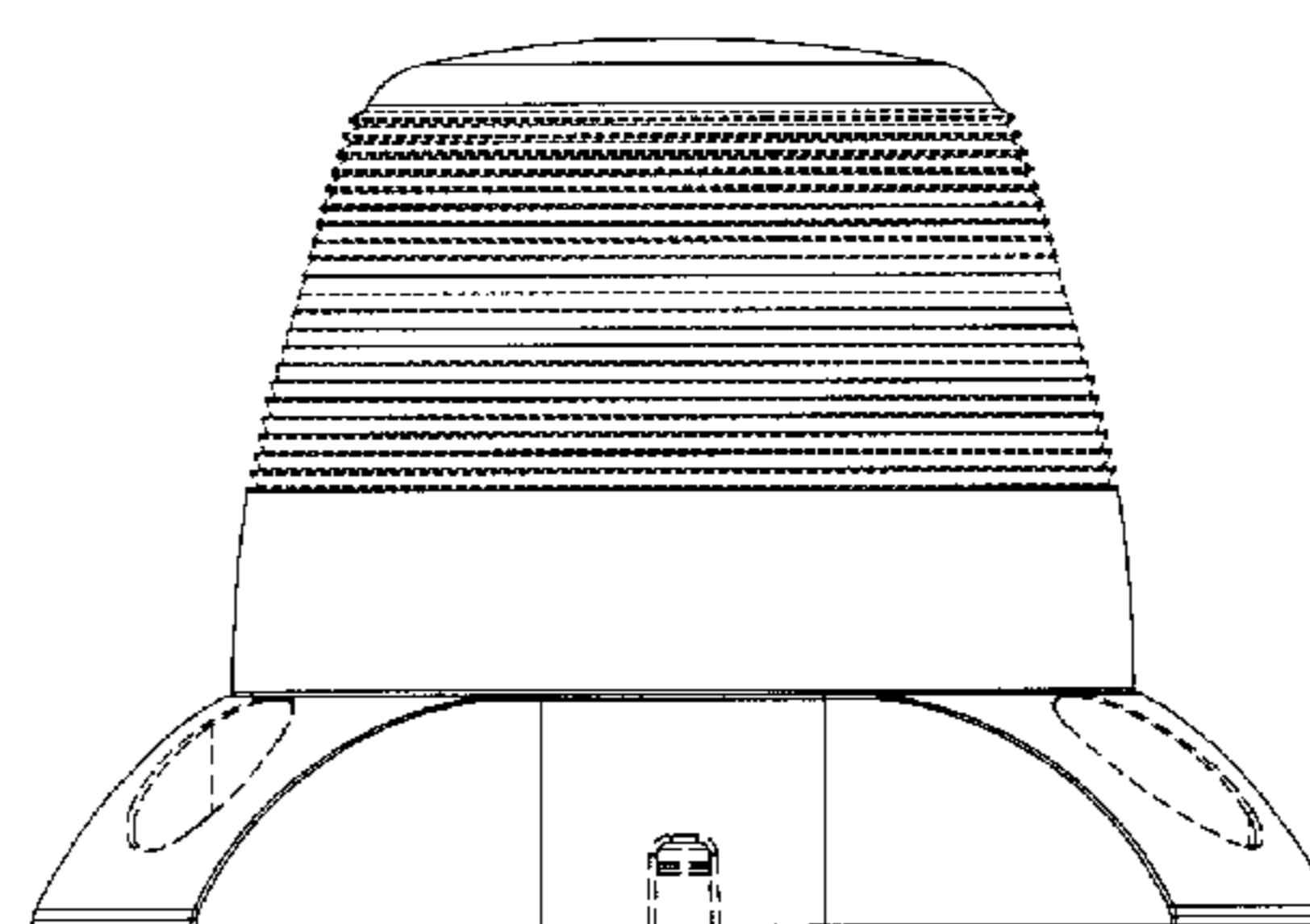
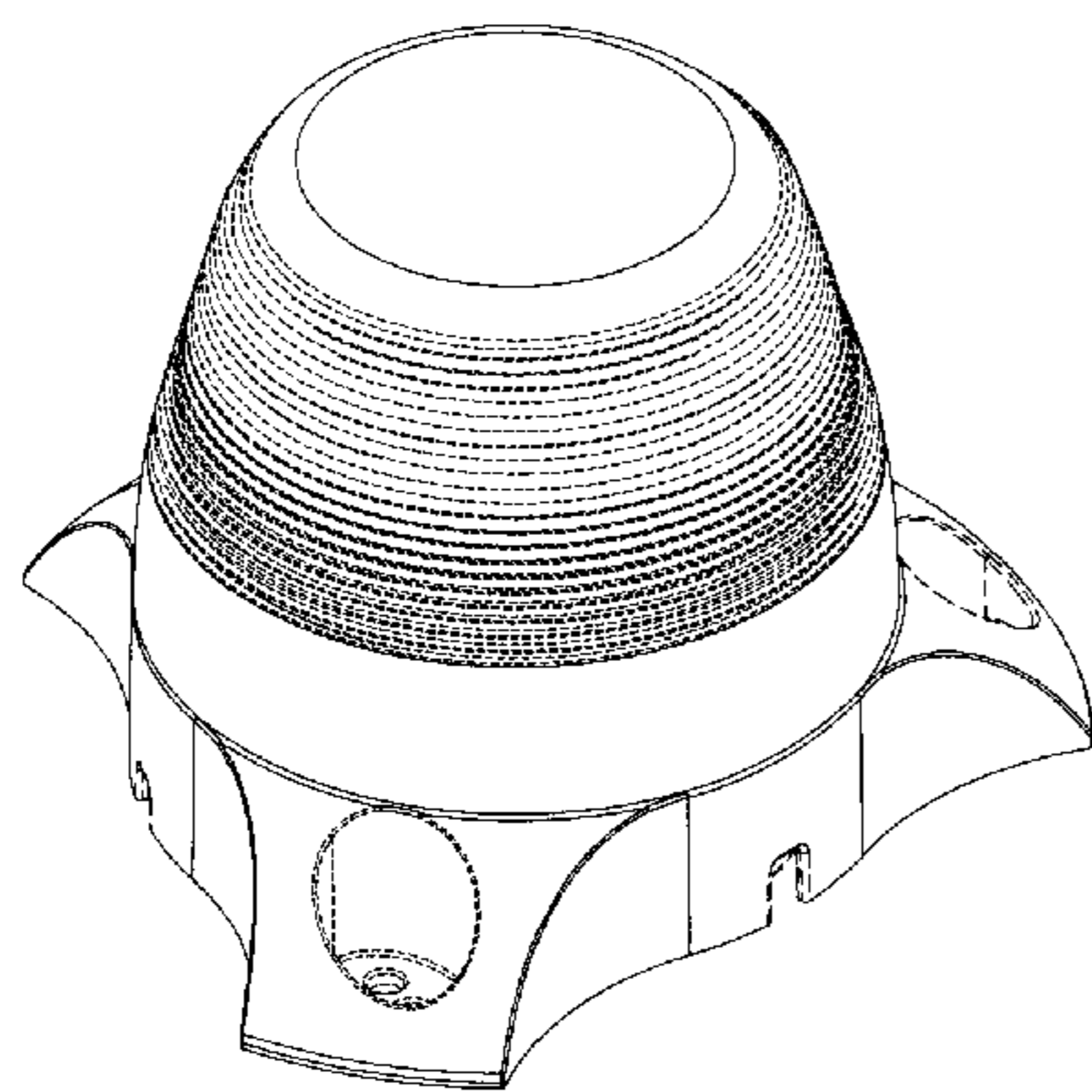
FIG. 5 is a front view thereof;

FIG. 6 is a rear view thereof; and,

FIG. 7 is a bottom view thereof.

The broken lines in the drawings represent unclaimed subject matter.

1 Claim, 3 Drawing Sheets



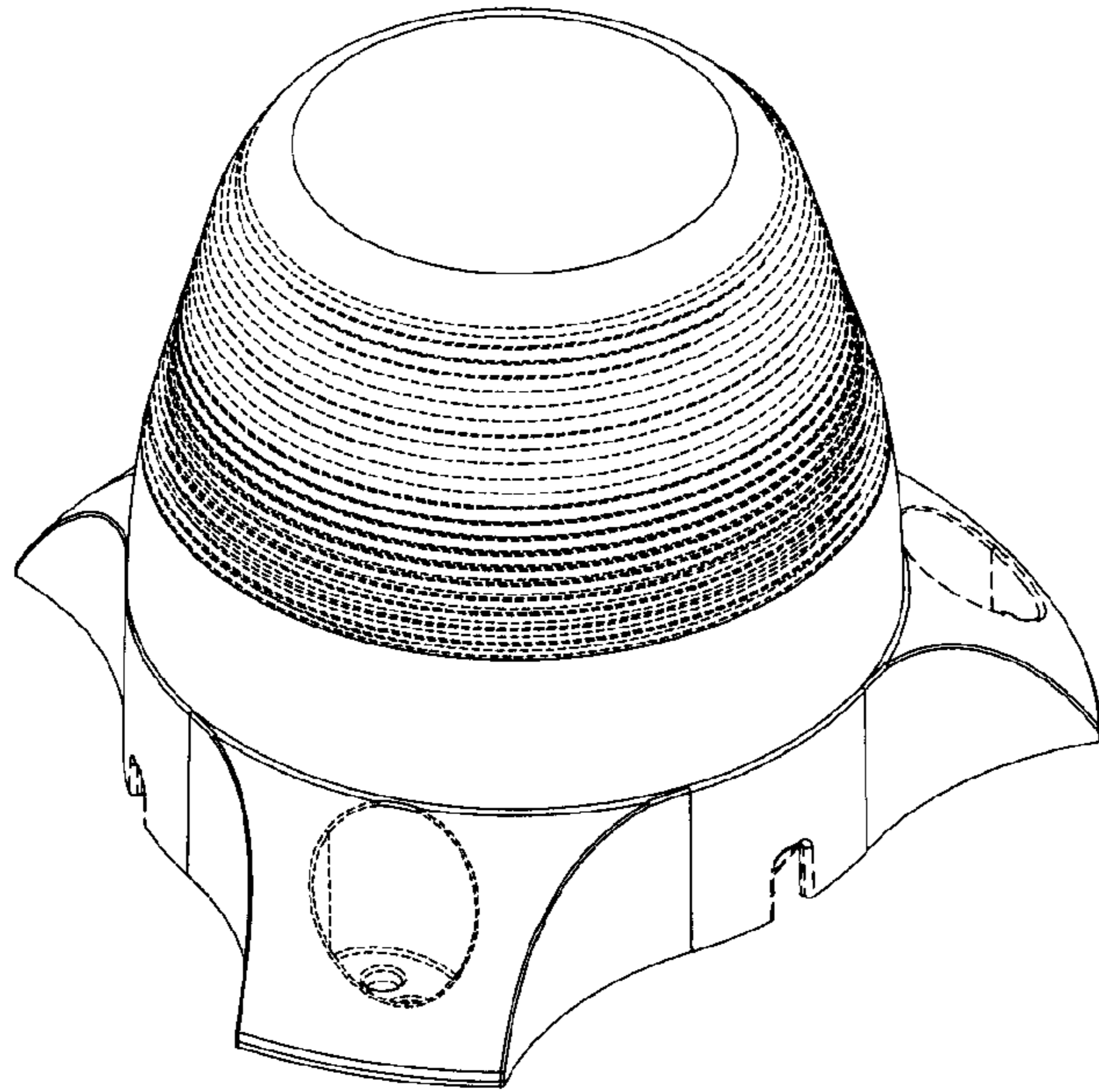


Fig. 1

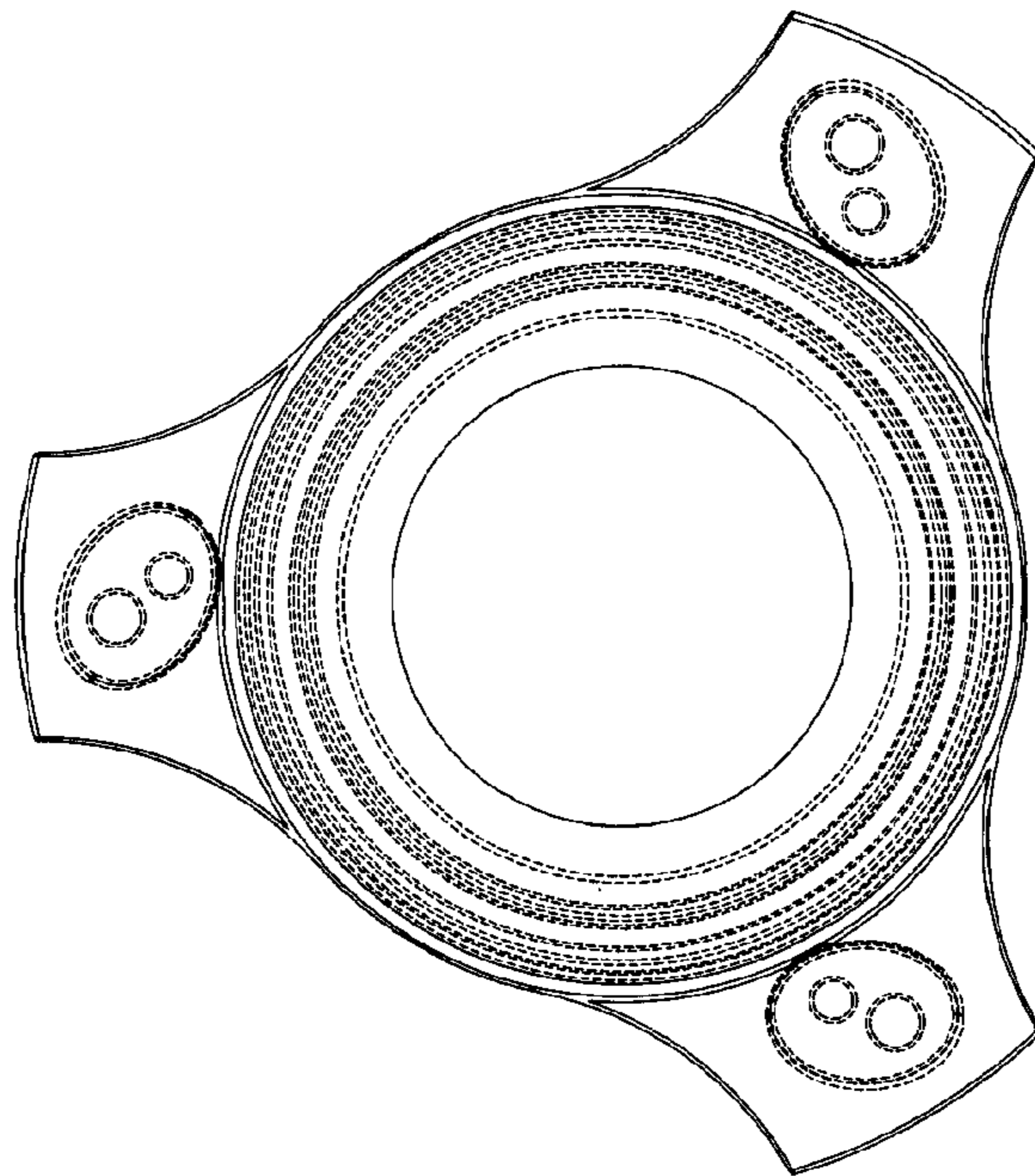


Fig. 2

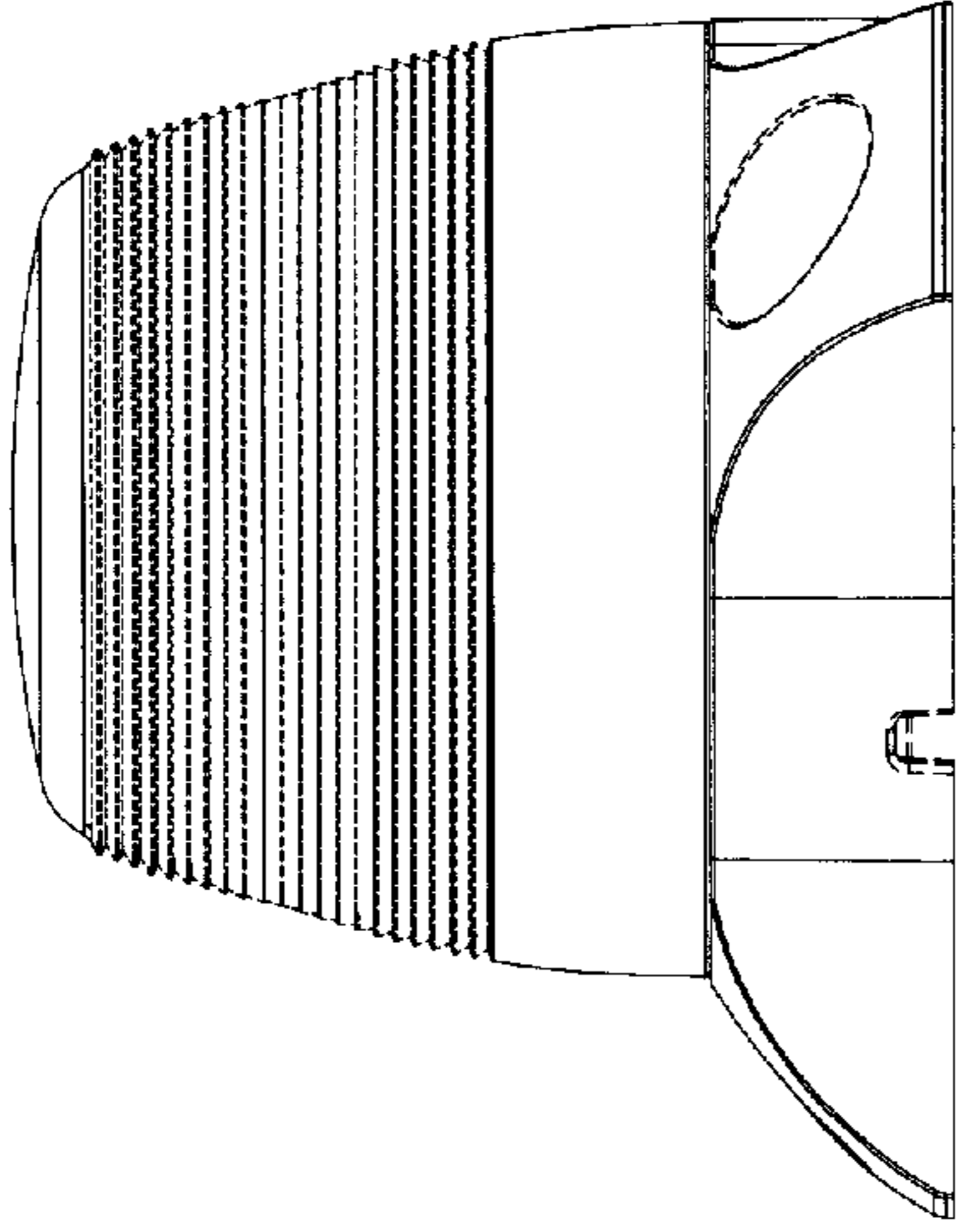


Fig. 3

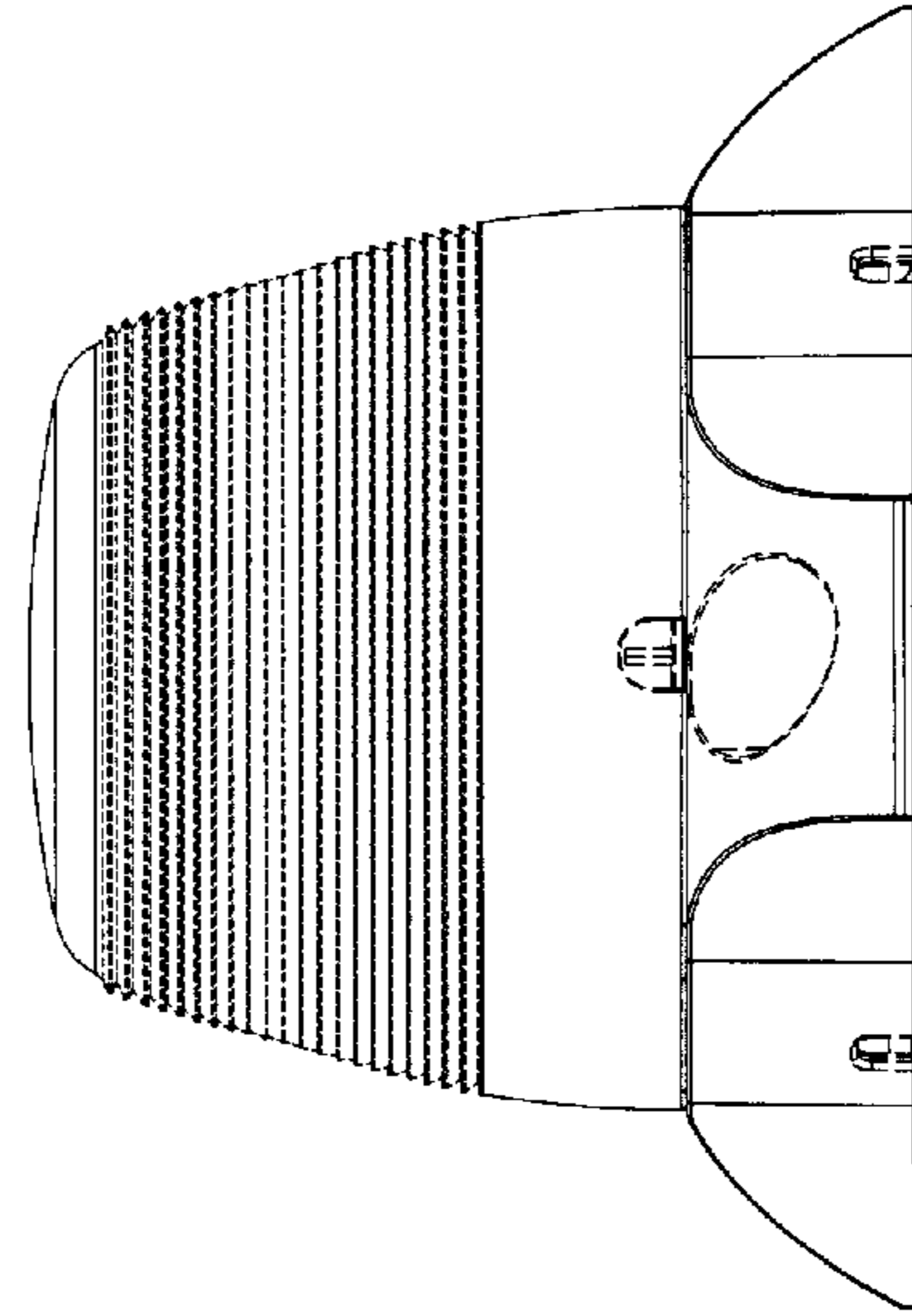


Fig. 4

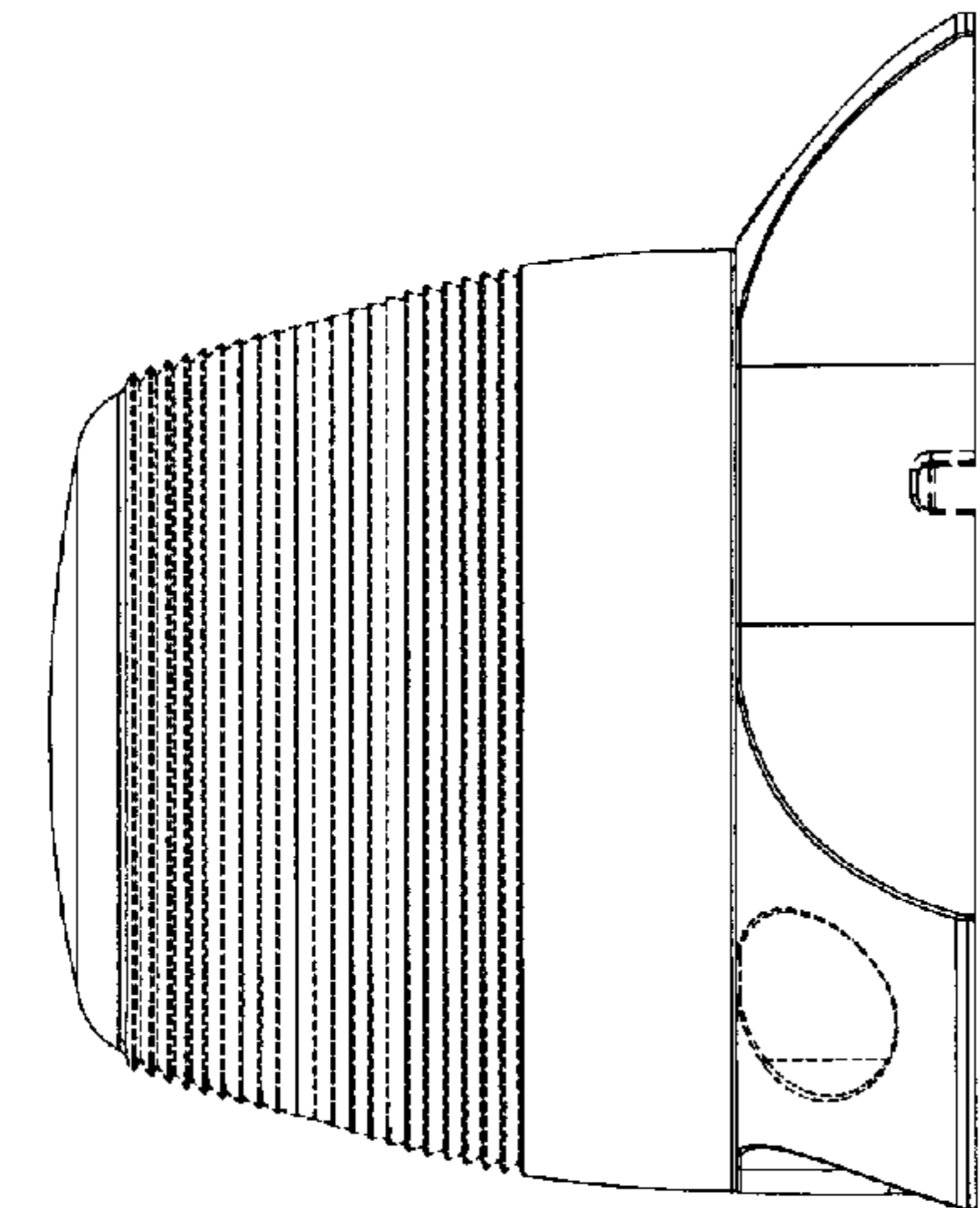


Fig. 5

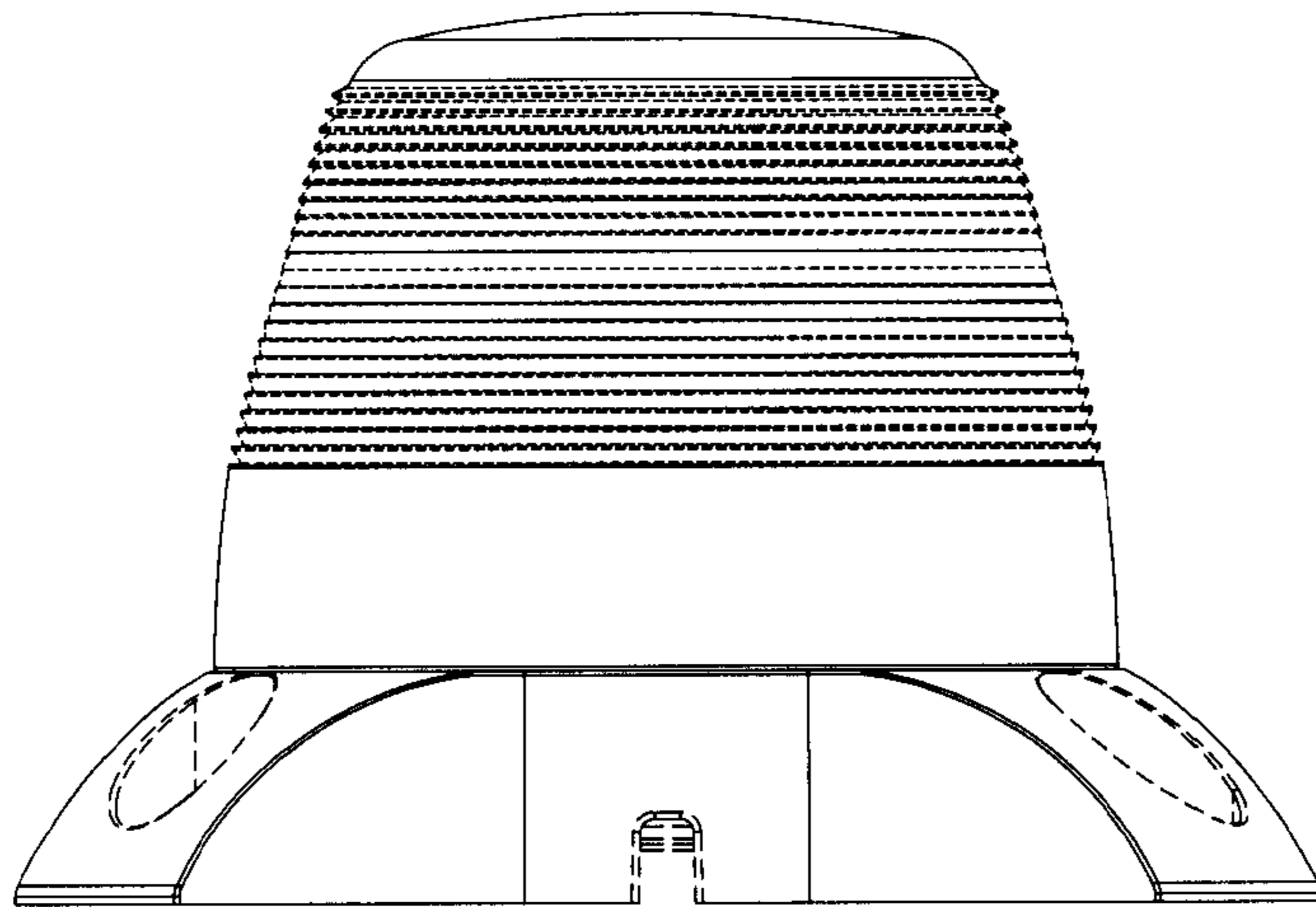


Fig. 6

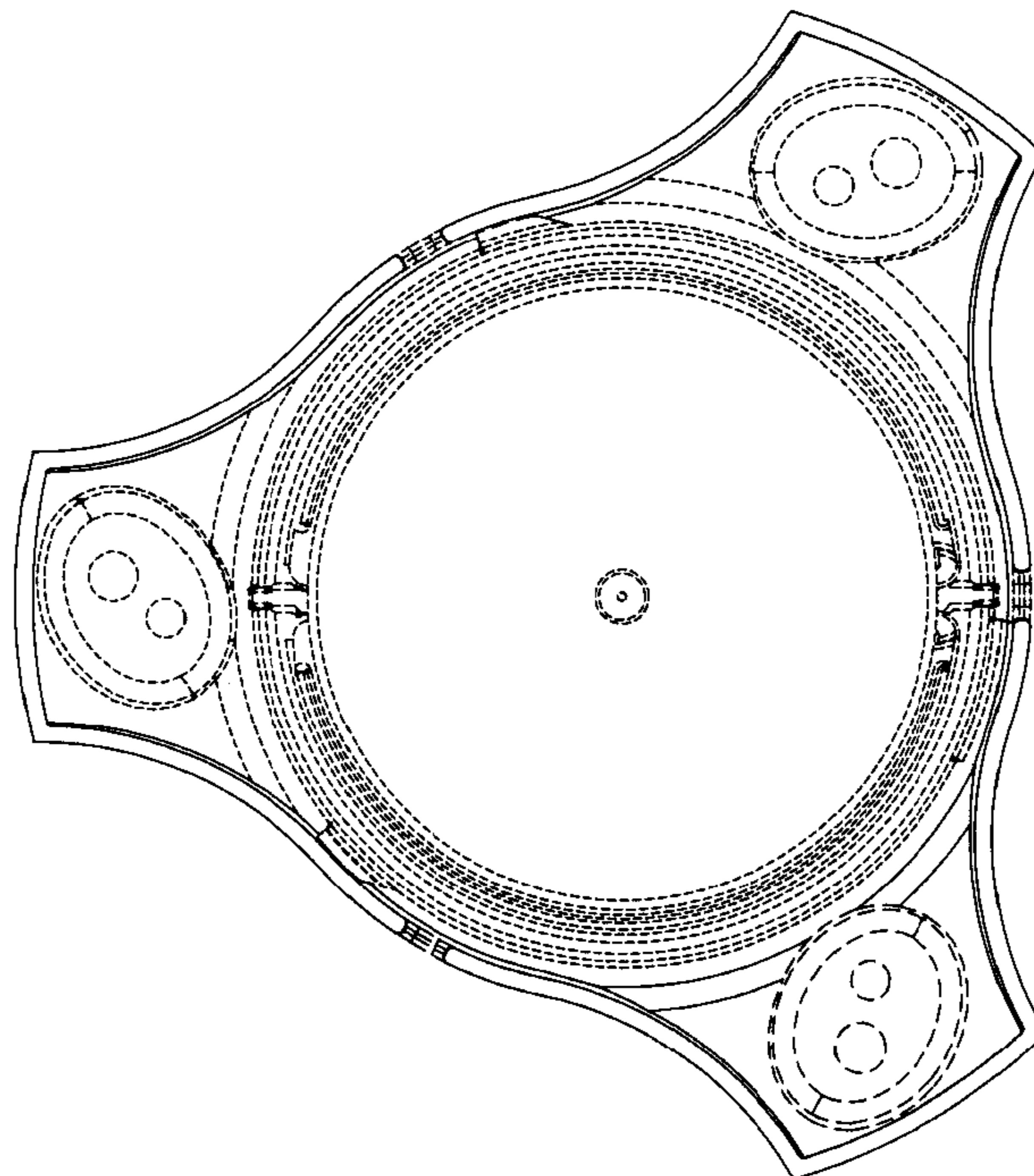


Fig. 7