



US00D544804S

(12) **United States Design Patent**
Chen

(10) **Patent No.:** **US D544,804 S**

(45) **Date of Patent:** **** Jun. 19, 2007**

(54) **HAZARD LIGHT**

2002/0059893 A1* 5/2002 Kim 116/63 T
2006/0181432 A1* 8/2006 Monteith et al. 340/907

(76) Inventor: **Kai-Po Chen**, 3F., No. 129, Sec.2, Hsin I Rd., Taipei (TW)

* cited by examiner

(**) Term: **14 Years**

Primary Examiner—Robert M. Spear
Assistant Examiner—George D. Kirschbaum, Jr.
(74) *Attorney, Agent, or Firm*—Leong C. Lei

(21) Appl. No.: **29/257,573**

(22) Filed: **Apr. 7, 2006**

(57) **CLAIM**

(51) **LOC (8) Cl.** **10-05**

The ornamental design for a hazard light, as shown and described.

(52) **U.S. Cl.** **D10/109**

(58) **Field of Classification Search** D10/104–121;
116/63 C, 63 P, 63 T; 428/41.8; 362/183
See application file for complete search history.

DESCRIPTION

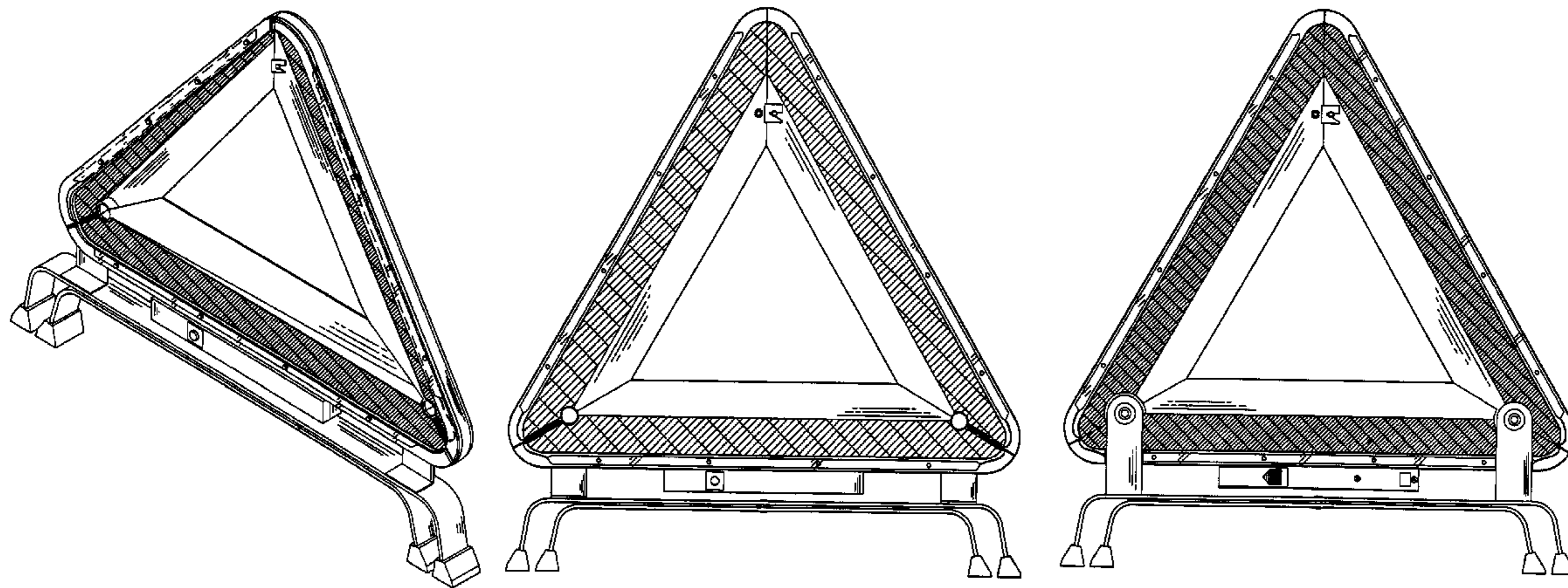
(56) **References Cited**

FIG. 1 is a front perspective view of a hazard light showing my new design;
FIG. 2 is a front elevation view thereof;
FIG. 3 is a rear side elevation view thereof;
FIG. 4 is a left side elevation view thereof;
FIG. 5 is a right side elevation view thereof;
FIG. 6 is a top plan view thereof; and,
FIG. 7 is a bottom plan view thereof.

U.S. PATENT DOCUMENTS

3,625,177	A *	12/1971	Miller	116/63	P
3,766,881	A *	10/1973	Ward	116/63	P
3,933,119	A *	1/1976	Hedgewick et al.	116/63	P
4,403,565	A *	9/1983	Bleiweiss et al.	116/63	T
4,440,104	A *	4/1984	Bleiweiss et al.	116/63	T
4,805,550	A *	2/1989	Raczkowski et al.	116/63	T
D409,515	S *	5/1999	Chen	D10/109	
6,928,951	B2 *	8/2005	Huang	116/63	P

1 Claim, 5 Drawing Sheets



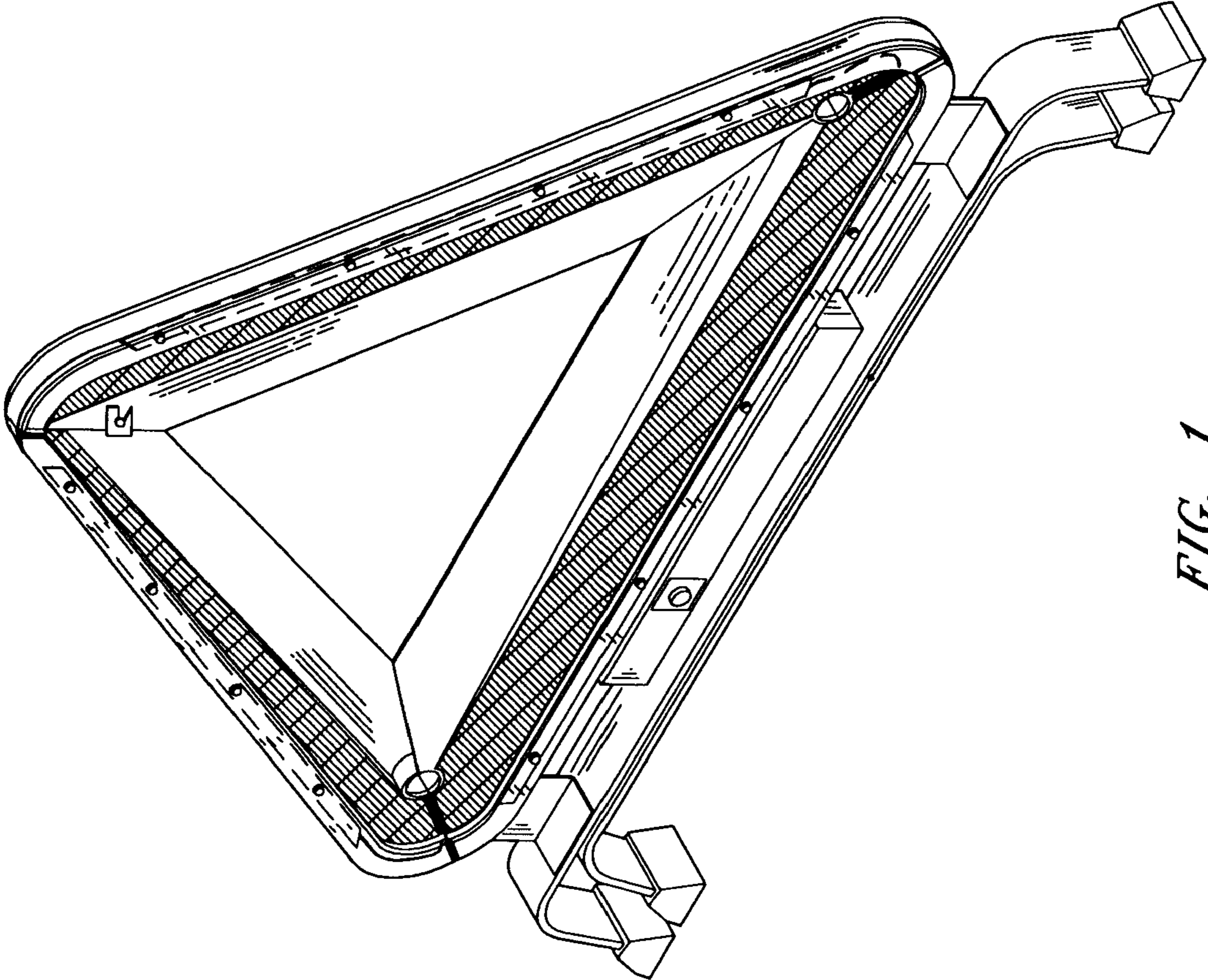


FIG. 1

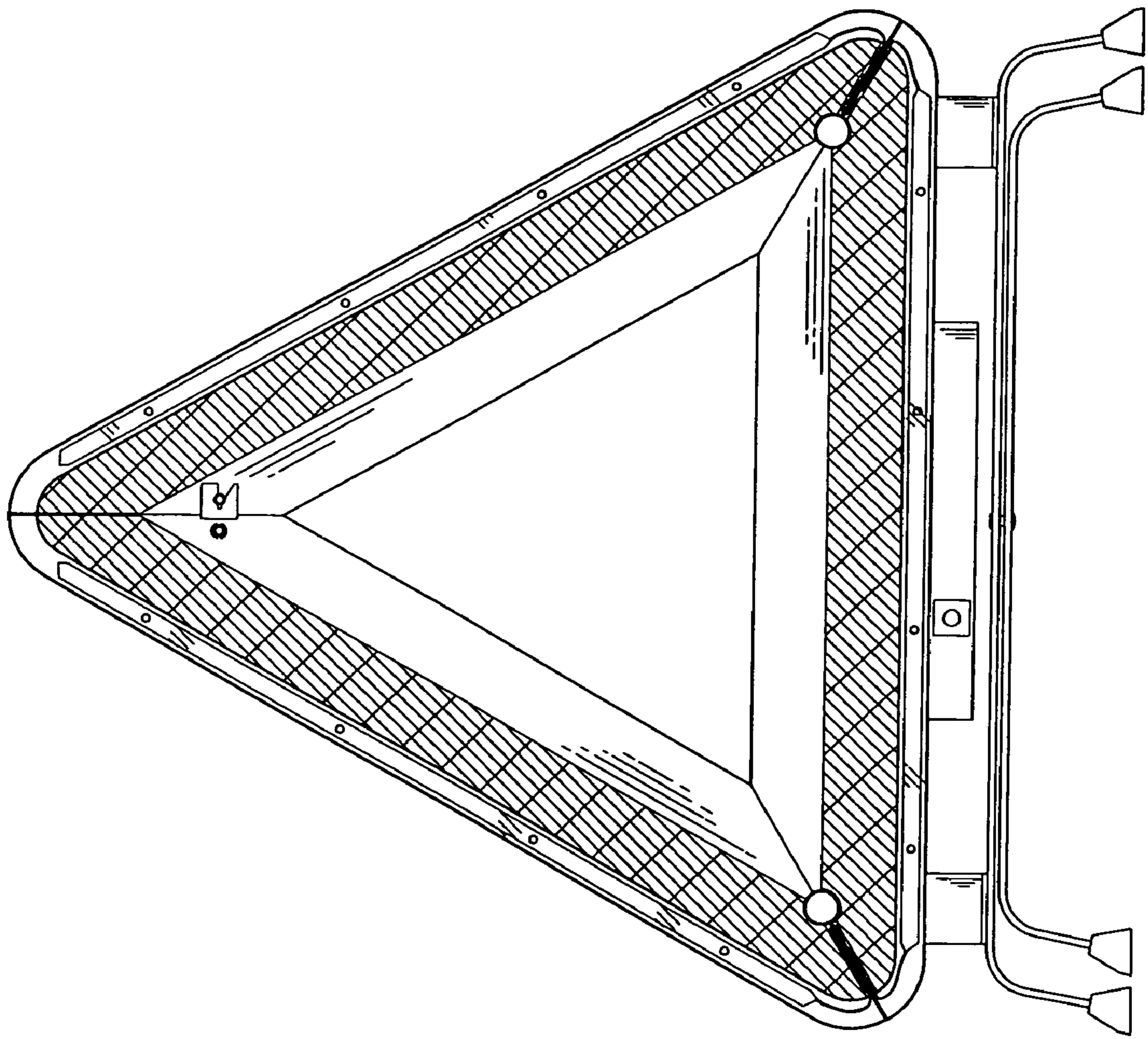


FIG. 2

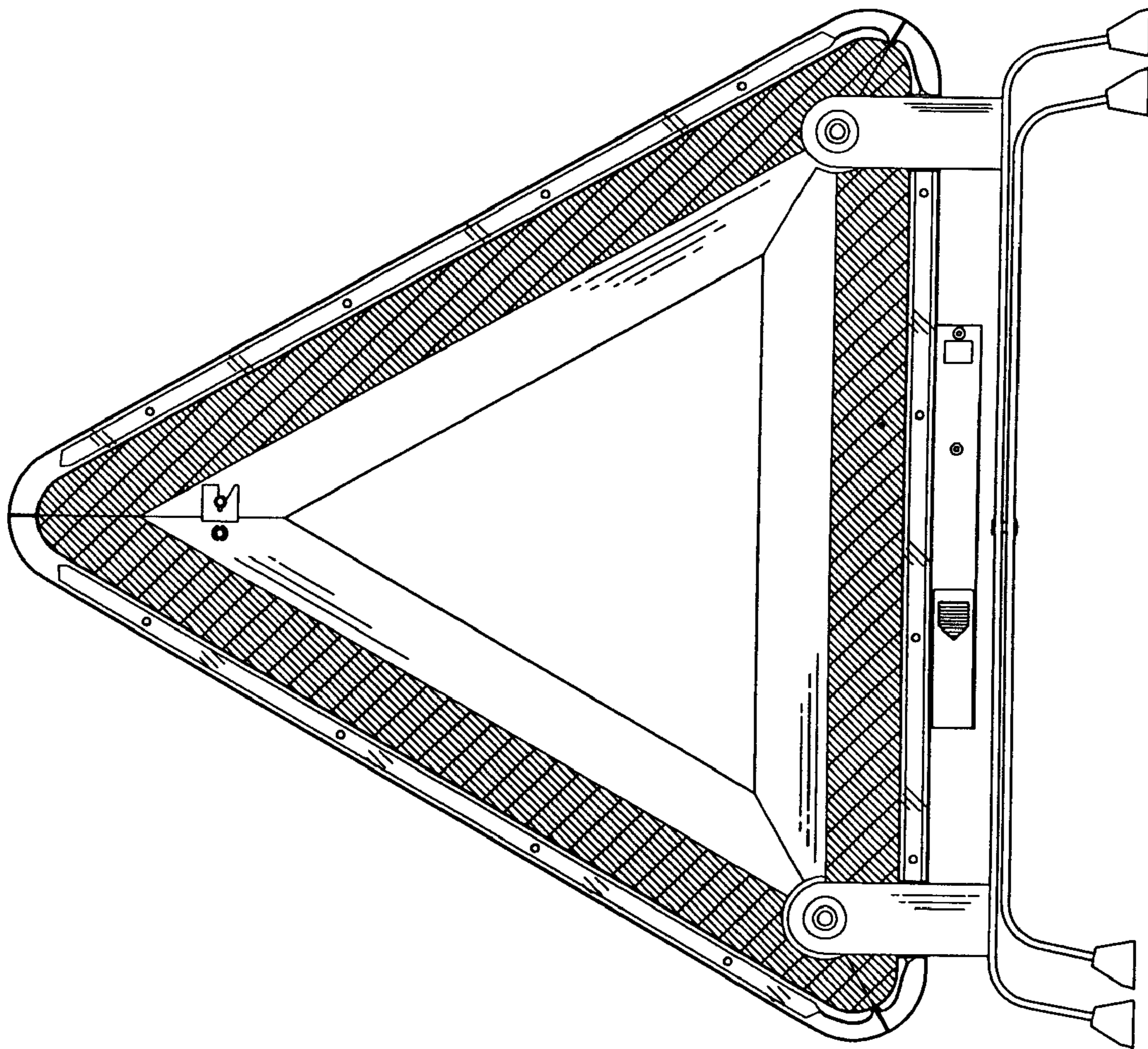


FIG. 3



FIG. 4



FIG. 5

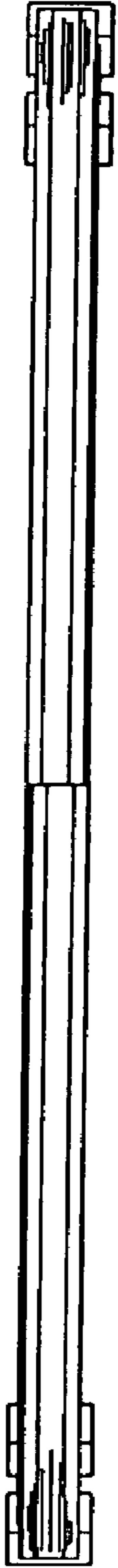


FIG. 6

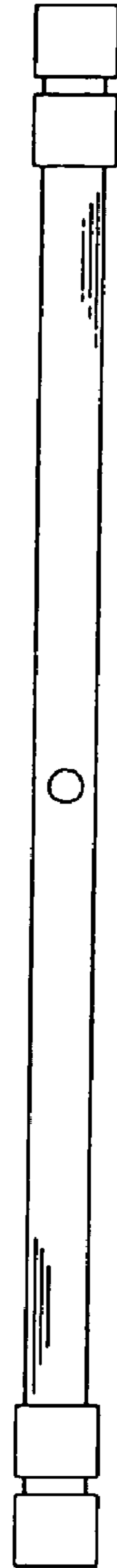


FIG. 7