

US00D544799S

(12) **United States Design Patent**
Young et al.

(10) **Patent No.:** **US D544,799 S**
(45) **Date of Patent:** **** Jun. 19, 2007**

(54) **PLASTIC CONTAINER**

(75) Inventors: **William C. Young**, Ypsilanti, MI (US);
Richard C. Darr, Medina, OH (US);
Christopher E. Kaminski, North
Royalton, OH (US)

(73) Assignee: **Plastipak Packaging, Inc.**, Plymouth,
MI (US)

(**) Term: **14 Years**

(21) Appl. No.: **29/271,601**

(22) Filed: **Jan. 23, 2007**

Related U.S. Application Data

(62) Division of application No. 29/245,347, filed on Dec.
22, 2005.

(51) **LOC (8) Cl.** **09-01**

(52) **U.S. Cl.** **D9/531; D9/560**

(58) **Field of Classification Search** D9/516,
D9/520, 528, 530–531, 534–535, 540, 560,
D9/563, 575; D7/612–615; 215/381–385
See application file for complete search history.

(56) **References Cited**

U.S. PATENT DOCUMENTS

- D256,664 S * 9/1980 Burrington et al. D9/520
- D272,521 S * 2/1984 Glenn D9/520
- D276,890 S * 12/1984 Hancher D9/522
- D307,392 S * 4/1990 Weckman D9/528
- D389,067 S * 1/1998 Lown D9/543
- D462,012 S * 8/2002 Manderfield, Jr. D9/530
- D480,974 S * 10/2003 Blank D9/543
- D483,269 S * 12/2003 Walsh et al. D9/522

- D497,311 S * 10/2004 Walsh et al. D9/522
- D500,953 S * 1/2005 Nottingham et al. D9/528
- D504,823 S * 5/2005 Nottingham et al. D9/528
- 6,983,862 B2 * 1/2006 Nottingham et al. 222/109
- D518,733 S * 4/2006 Jhuang D9/537
- D521,387 S * 5/2006 Little et al. D9/530

FOREIGN PATENT DOCUMENTS

- GB 3010284 * 4/2003
- GB 3009071 * 9/2003

* cited by examiner

Primary Examiner—Carol Rademaker
Assistant Examiner—Anna J. Burmeister

(74) *Attorney, Agent, or Firm*—Robert H. Bachman

(57) **CLAIM**

The ornamental design for a plastic container, as shown and described.

DESCRIPTION

FIG. 1 is a top, front, and left side perspective view of a plastic container showing our new design;

FIG. 2 is a top, rear perspective view thereof;

FIG. 3 is a left side elevation view thereof;

FIG. 4 is a right side elevation view thereof;

FIG. 5 is a rear elevation view thereof;

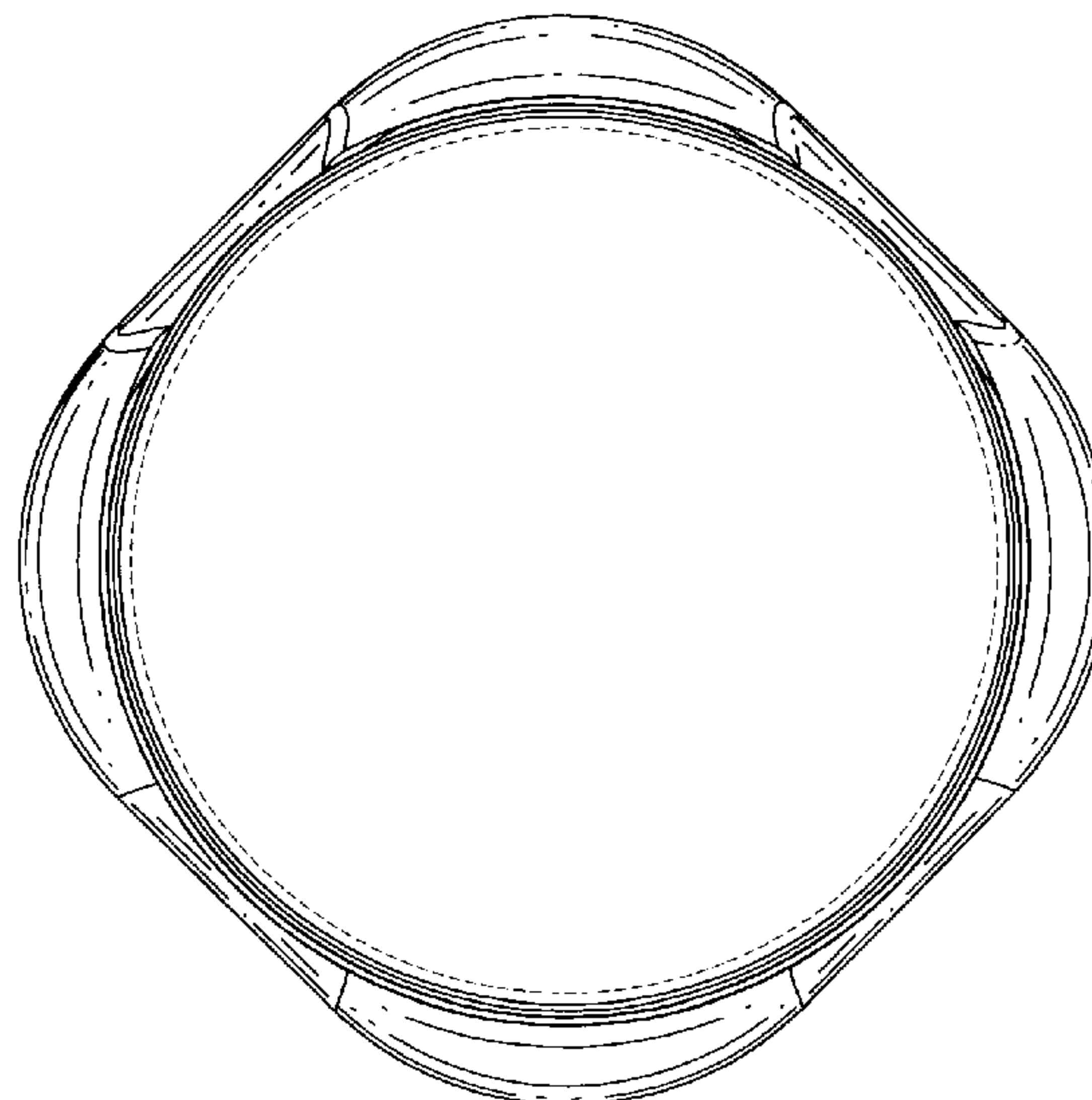
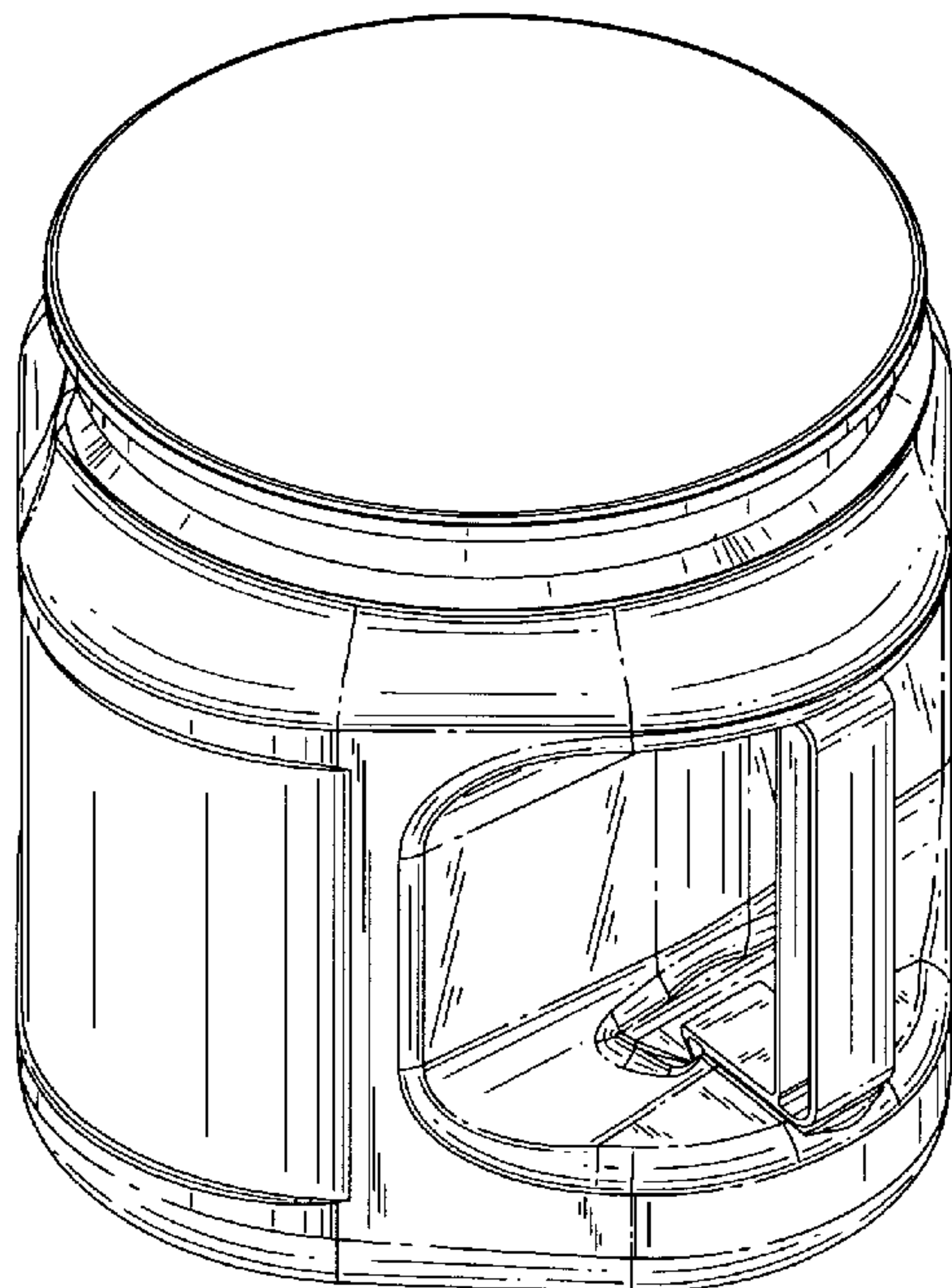
FIG. 6 is a front elevation view thereof;

FIG. 7 is a bottom plan view thereof; and,

FIG. 8 is a top plan view thereof.

The broken lines in the drawings are for illustrative purposes only and form no part of the claimed design.

1 Claim, 4 Drawing Sheets



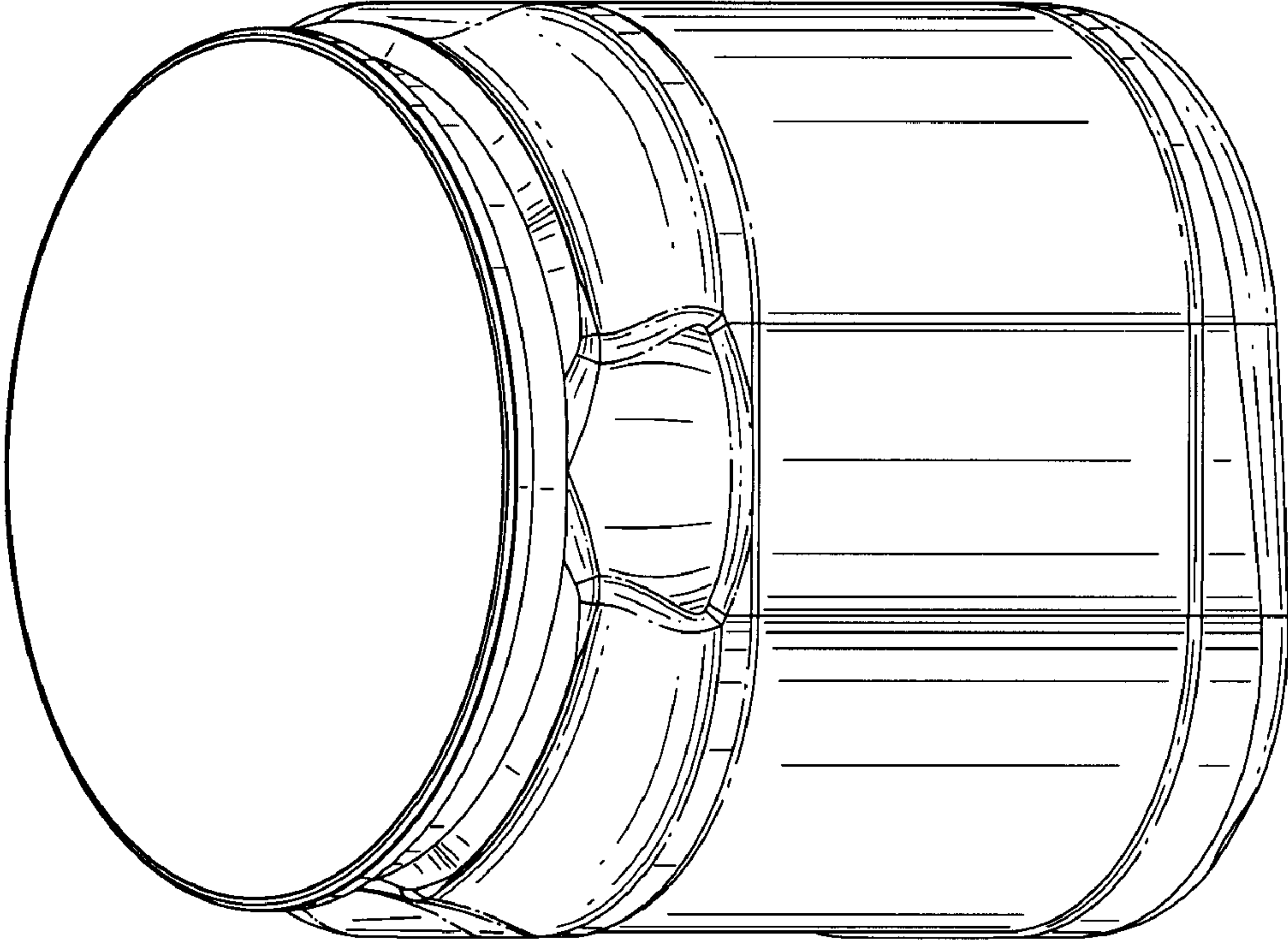


FIG. 2

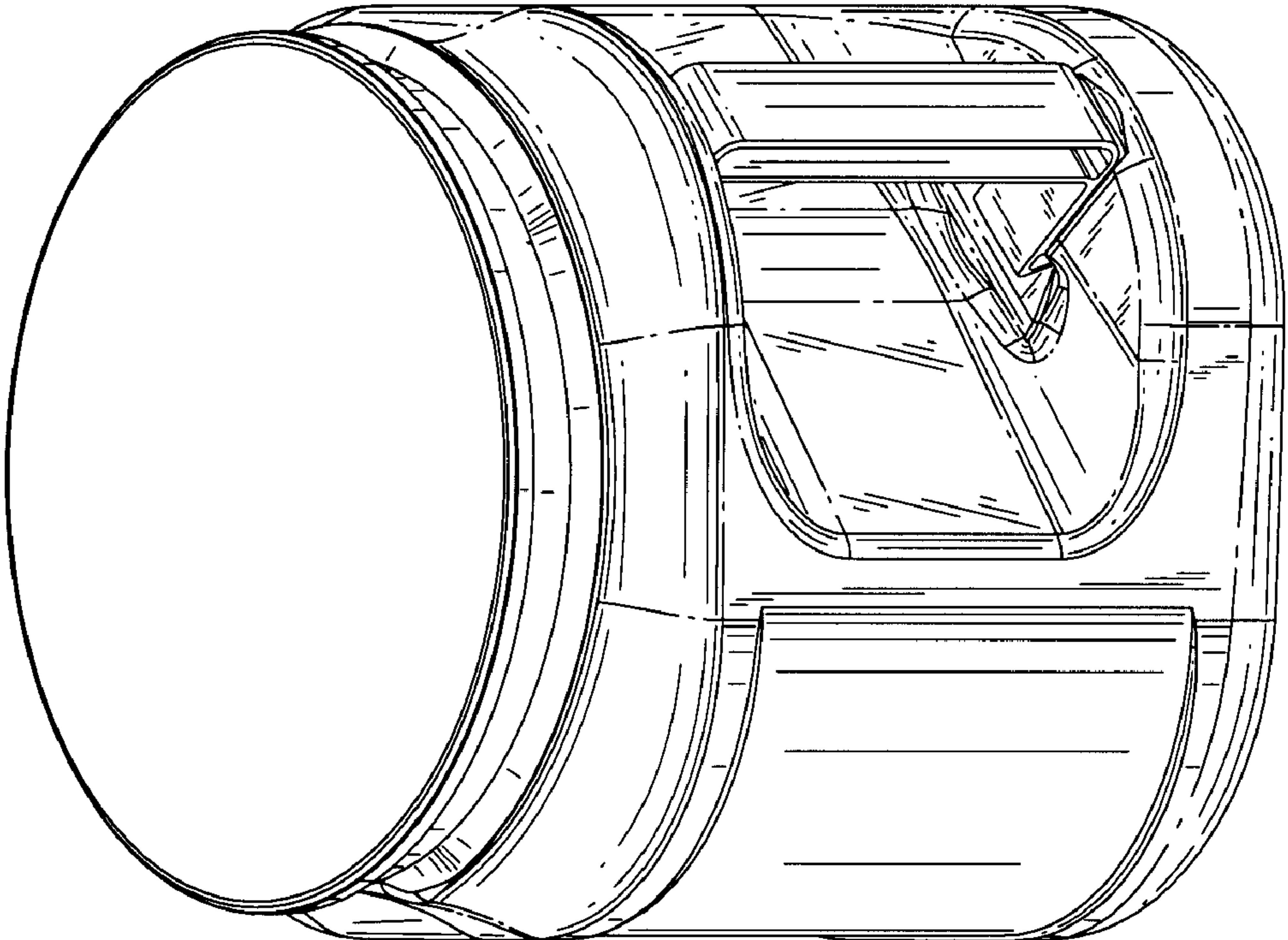


FIG. 1

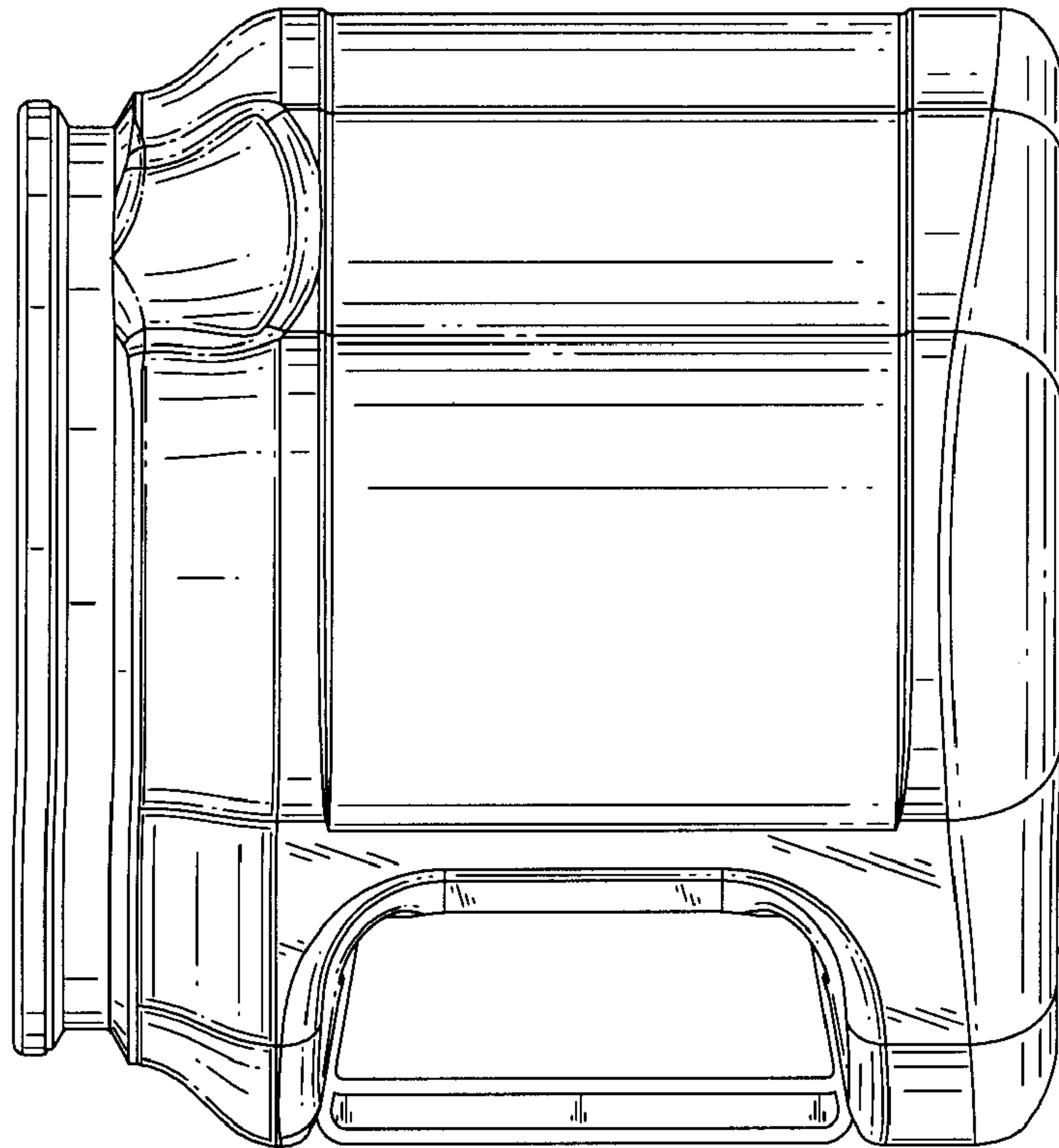


FIG. 4

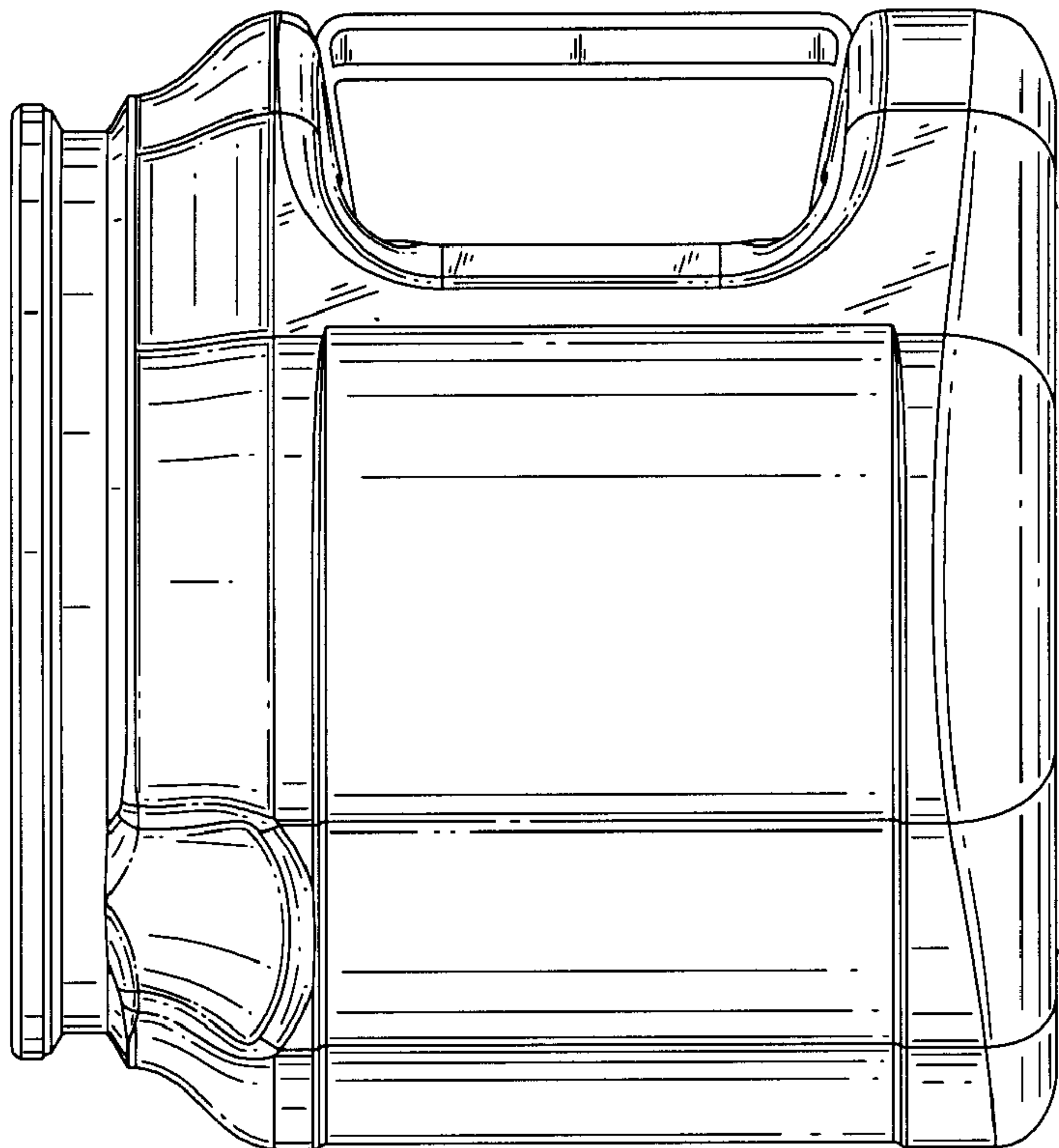


FIG. 3

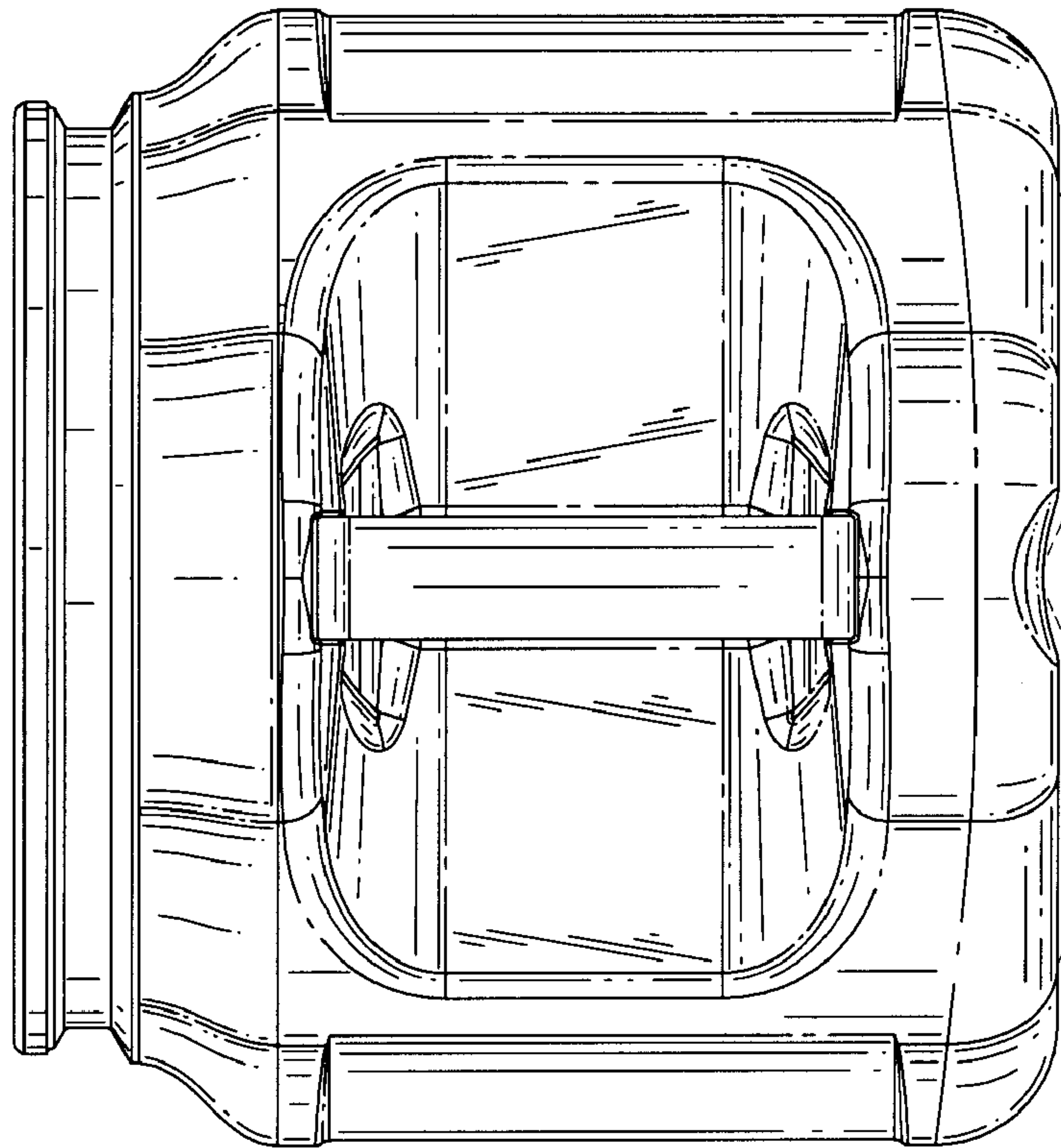


FIG. 6

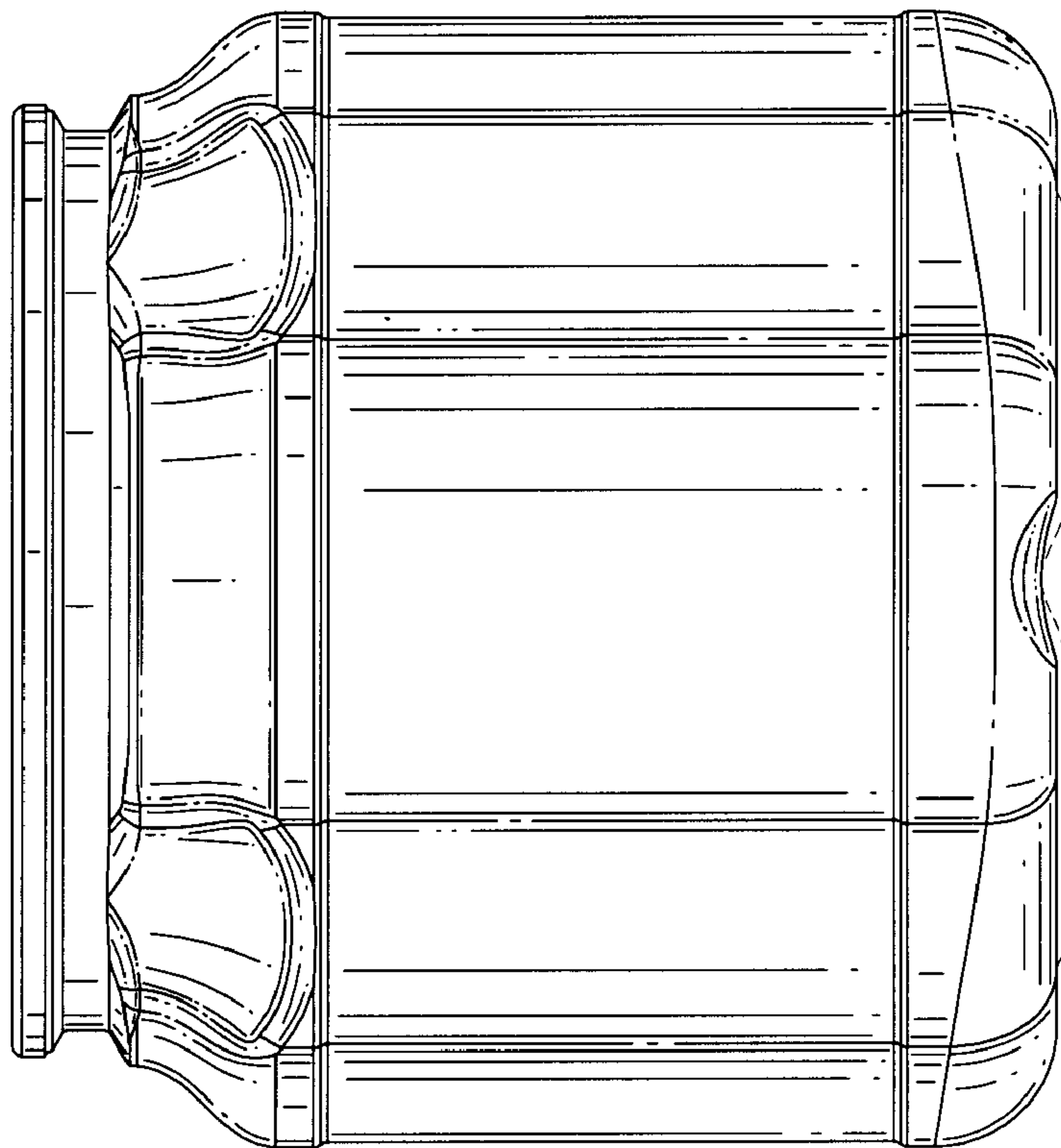


FIG. 5

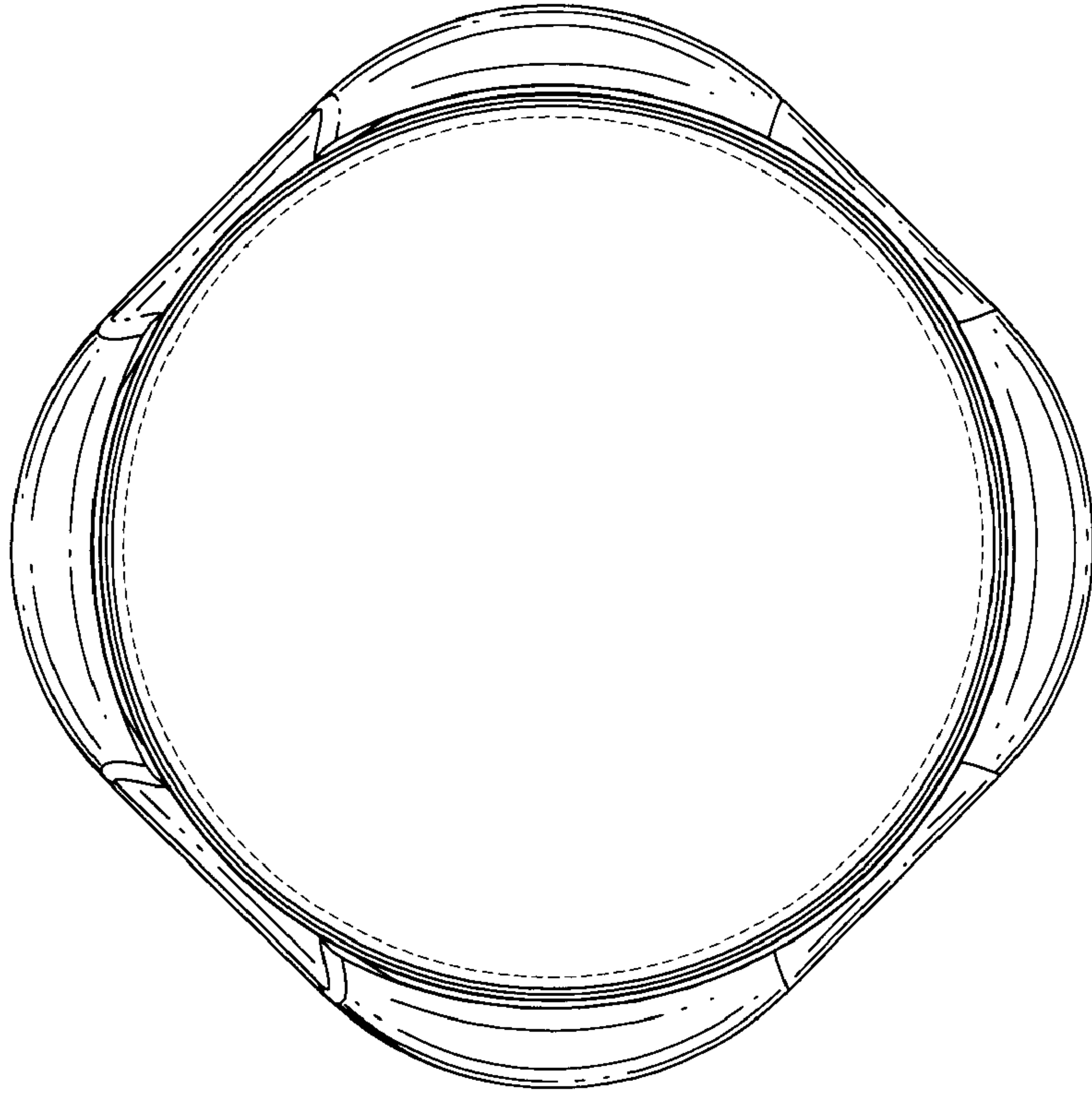


FIG. 8

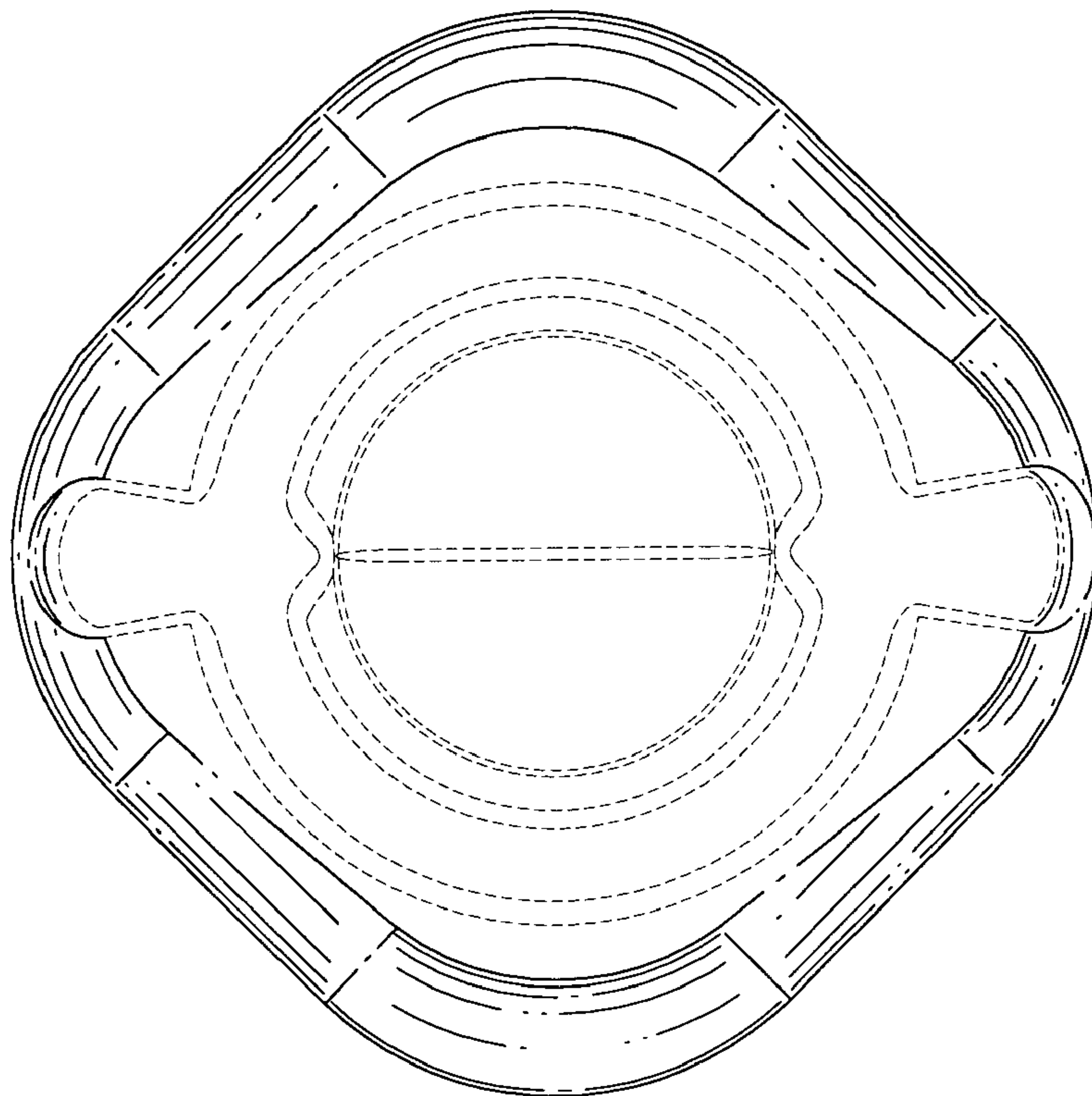


FIG. 7