

US00D544798S

(12) **United States Design Patent**  
**Young et al.**

(10) **Patent No.:** **US D544,798 S**

(45) **Date of Patent:** **\*\* Jun. 19, 2007**

(54) **PLASTIC CONTAINER**

(75) Inventors: **William C. Young**, Ypsilanti, MI (US);  
**Richard C. Darr**, Medina, OH (US);  
**Christopher E. Kaminski**, North  
Royalton, OH (US)

(73) Assignee: **Plastipak Packaging, Inc.**, Plymouth,  
MI (US)

(\*\*) Term: **14 Years**

(21) Appl. No.: **29/271,598**

(22) Filed: **Jan. 23, 2007**

**Related U.S. Application Data**

(62) Division of application No. 29/245,347, filed on Dec.  
22, 2005.

(51) **LOC (8) Cl.** ..... **09-01**

(52) **U.S. Cl.** ..... **D9/530; D9/560**

(58) **Field of Classification Search** ..... D9/516,  
D9/520, 528, 530–531, 534, 540, 560, 563,  
D9/575; D7/612–615; 215/381–385  
See application file for complete search history.

(56) **References Cited**

**U.S. PATENT DOCUMENTS**

D256,664 S *	9/1980	Burrington et al. ....	D9/520
D272,521 S *	2/1984	Glenn .....	D9/520
D276,890 S *	12/1984	Hancher .....	D9/522
D307,392 S *	4/1990	Weckman .....	D9/528
D389,067 S *	1/1998	Lown .....	D9/543
D462,012 S *	8/2002	Manderfield, Jr. ....	D9/530
D480,974 S *	10/2003	Blank .....	D9/543
D483,269 S *	12/2003	Walsh et al. ....	D9/522

D497,311 S *	10/2004	Walsh et al. ....	D9/522
D500,953 S *	1/2005	Nottingham et al. ....	D9/528
D504,823 S *	5/2005	Nottingham et al. ....	D9/528
6,983,862 B2 *	1/2006	Nottingham et al. ....	222/109
D518,733 S *	4/2006	Jhuang .....	D9/537
D521,387 S *	5/2006	Little et al. ....	D9/530

**FOREIGN PATENT DOCUMENTS**

GB	30 10284	*	4/2003
GB	3009071	*	9/2003

\* cited by examiner

*Primary Examiner*—Carol Rademaker

*Assistant Examiner*—Anna Burmeister

(74) *Attorney, Agent, or Firm*—Robert H. Bachman

(57) **CLAIM**

The ornamental design for a plastic container, as shown and described.

**DESCRIPTION**

FIG. 1 is a top, front, and left side perspective view of a plastic container showing our new design;

FIG. 2 is a top, rear perspective view thereof;

FIG. 3 is a left side elevation view thereof;

FIG. 4 is a right side elevation view thereof;

FIG. 5 is a rear elevation view thereof;

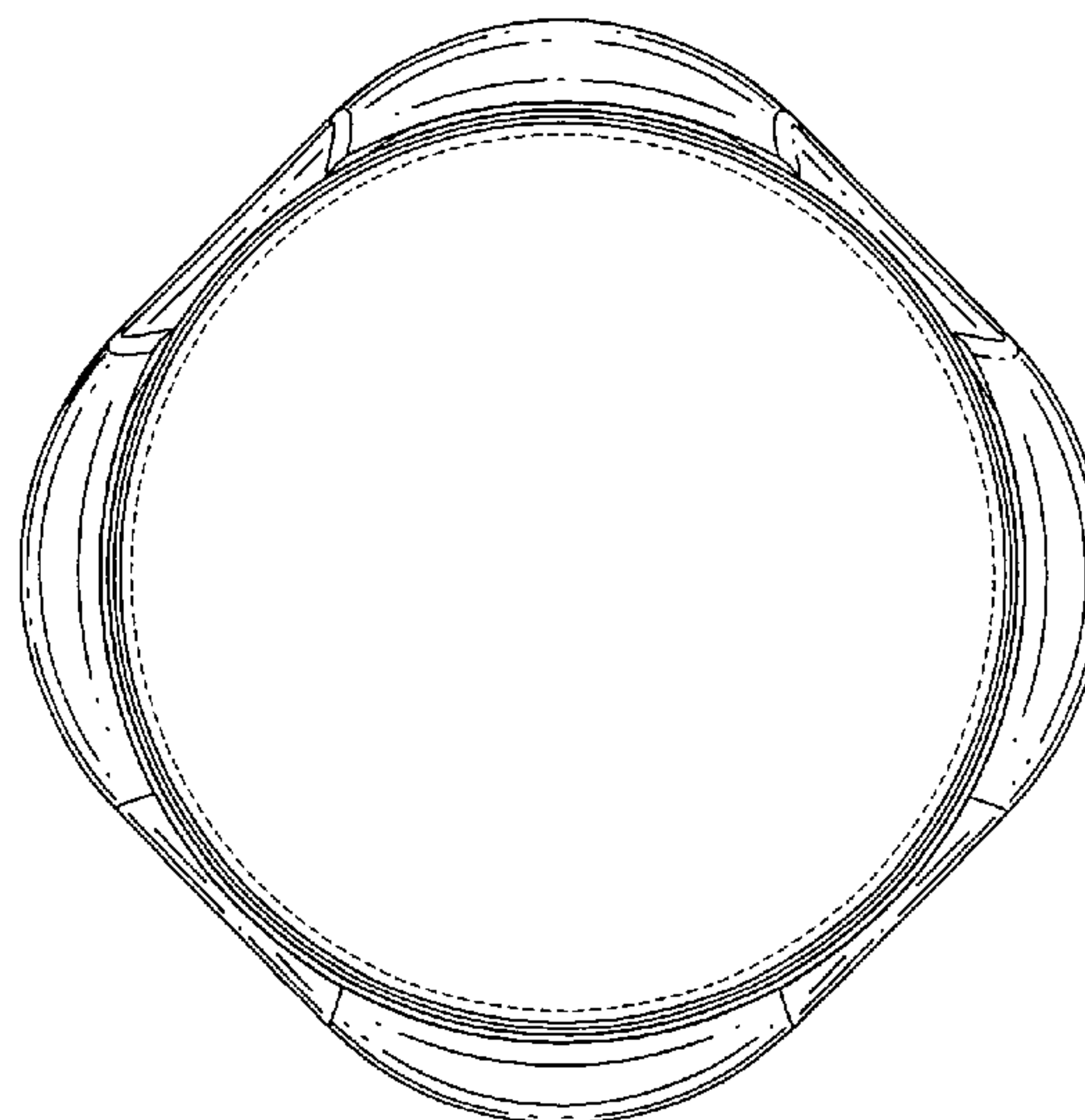
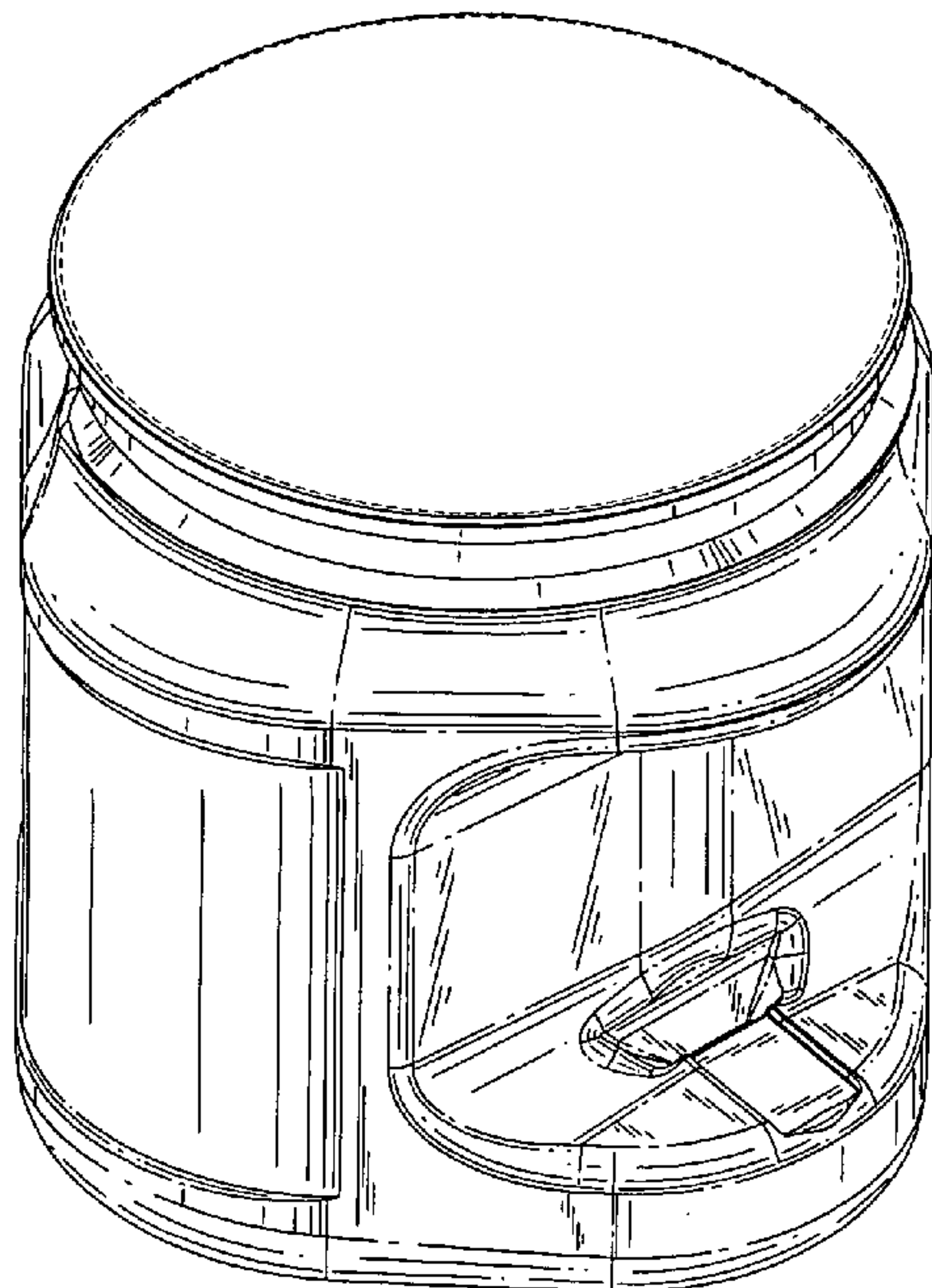
FIG. 6 is a front elevation view thereof;

FIG. 7 is a bottom plan view thereof; and,

FIG. 8 is a top plan view thereof.

The broken lines in the drawings are for illustrative purposes only and form no part of the claimed design.

**1 Claim, 4 Drawing Sheets**



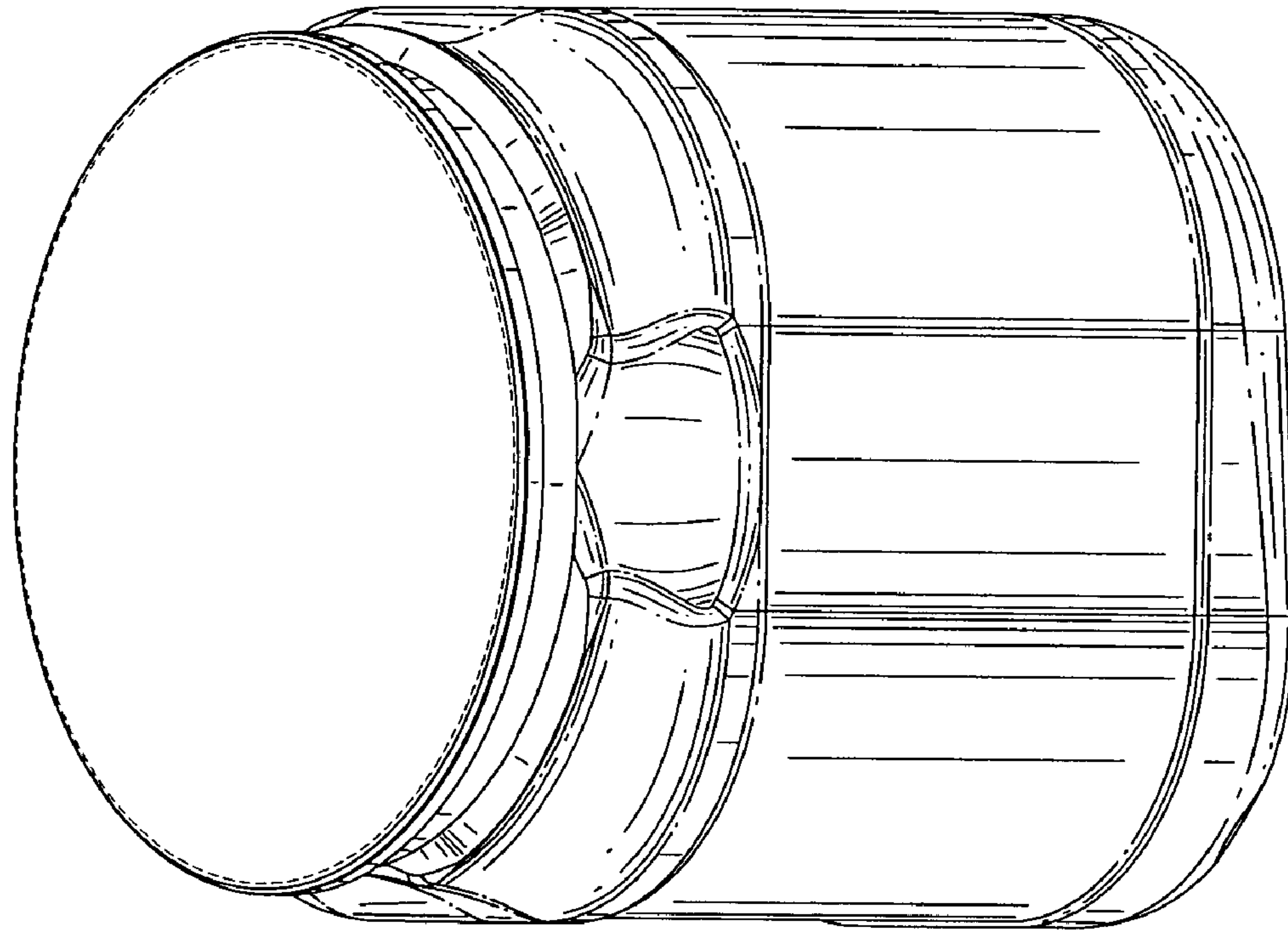


FIG. 2

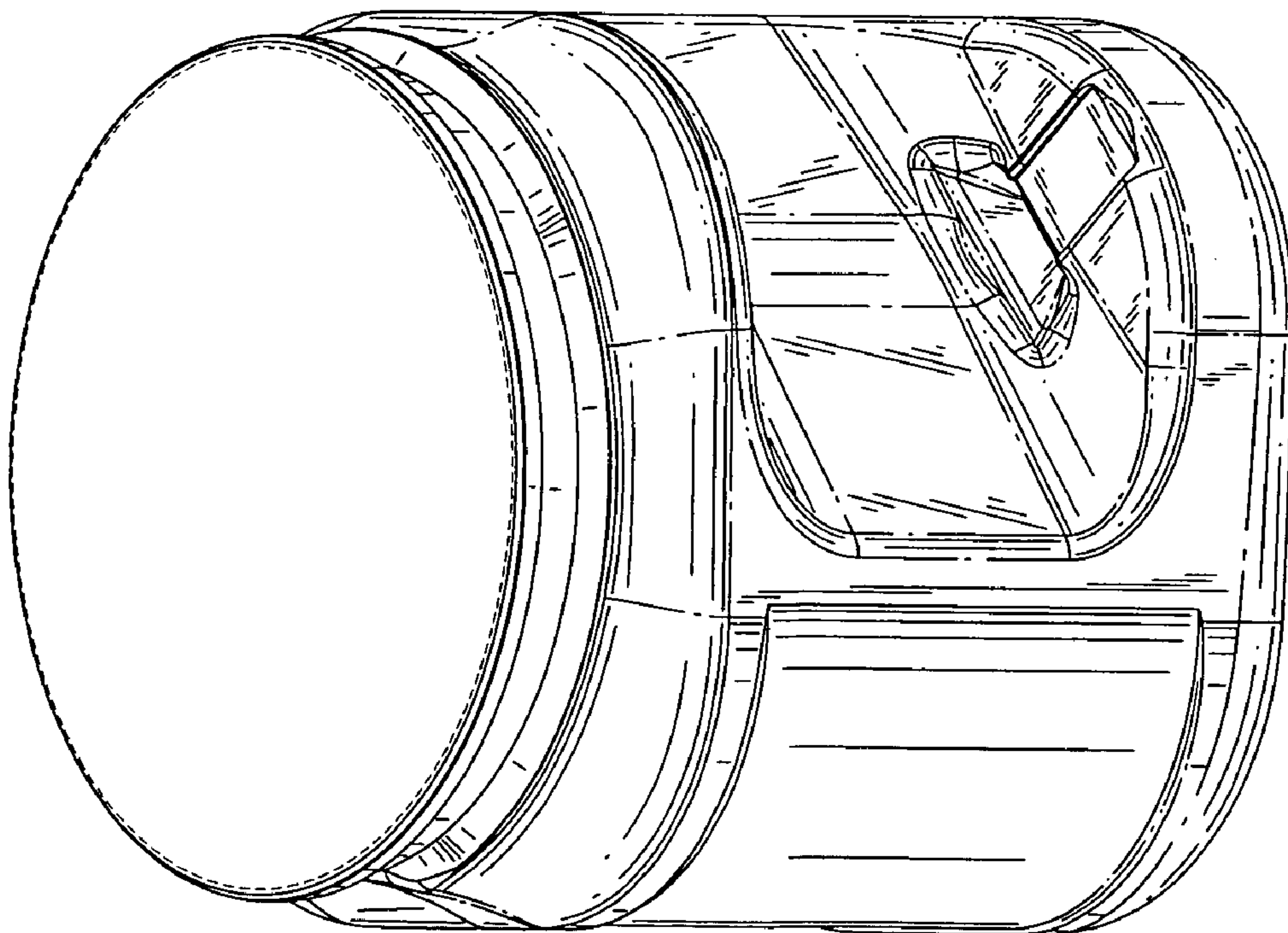


FIG. 1

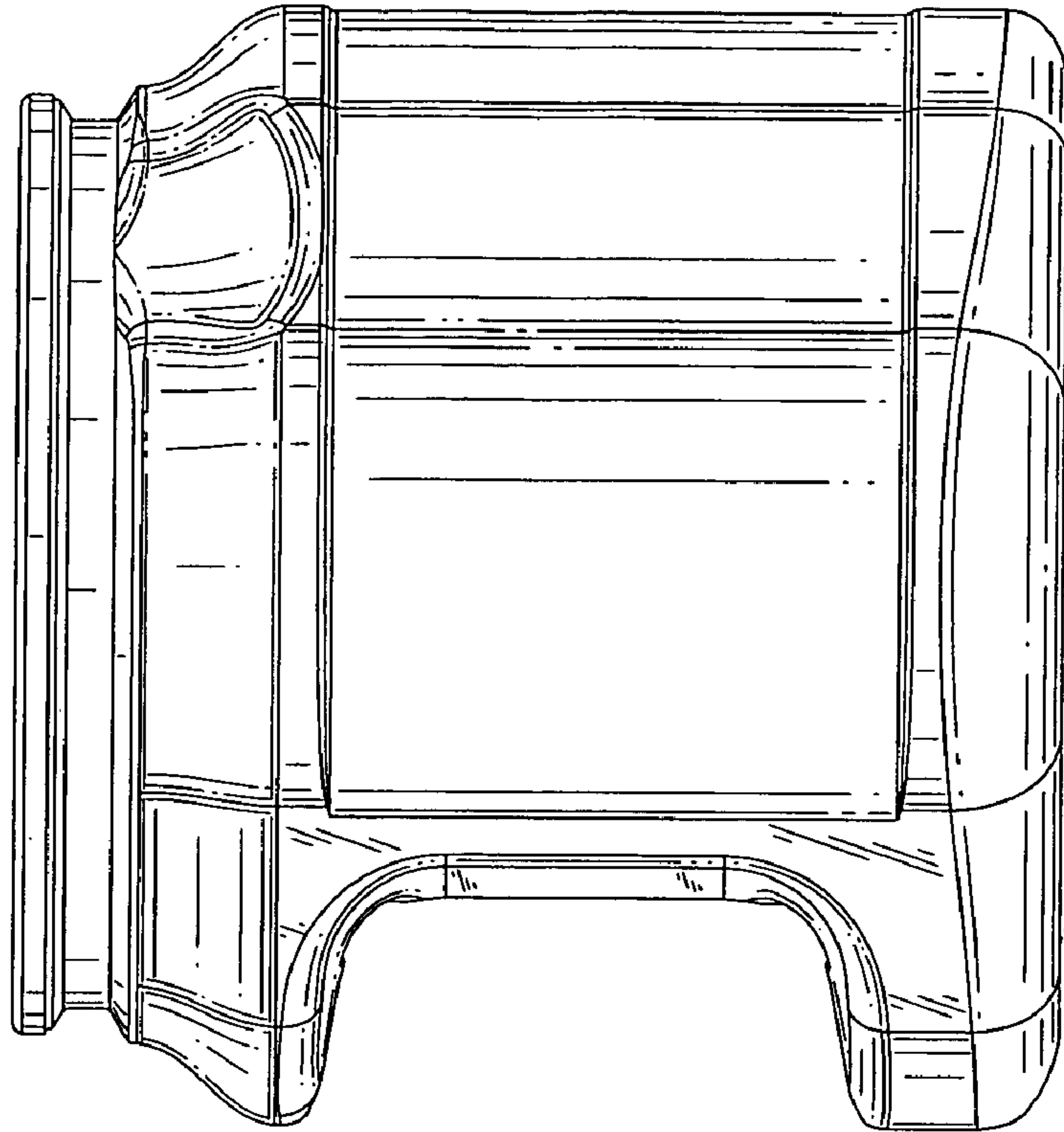


FIG. 4

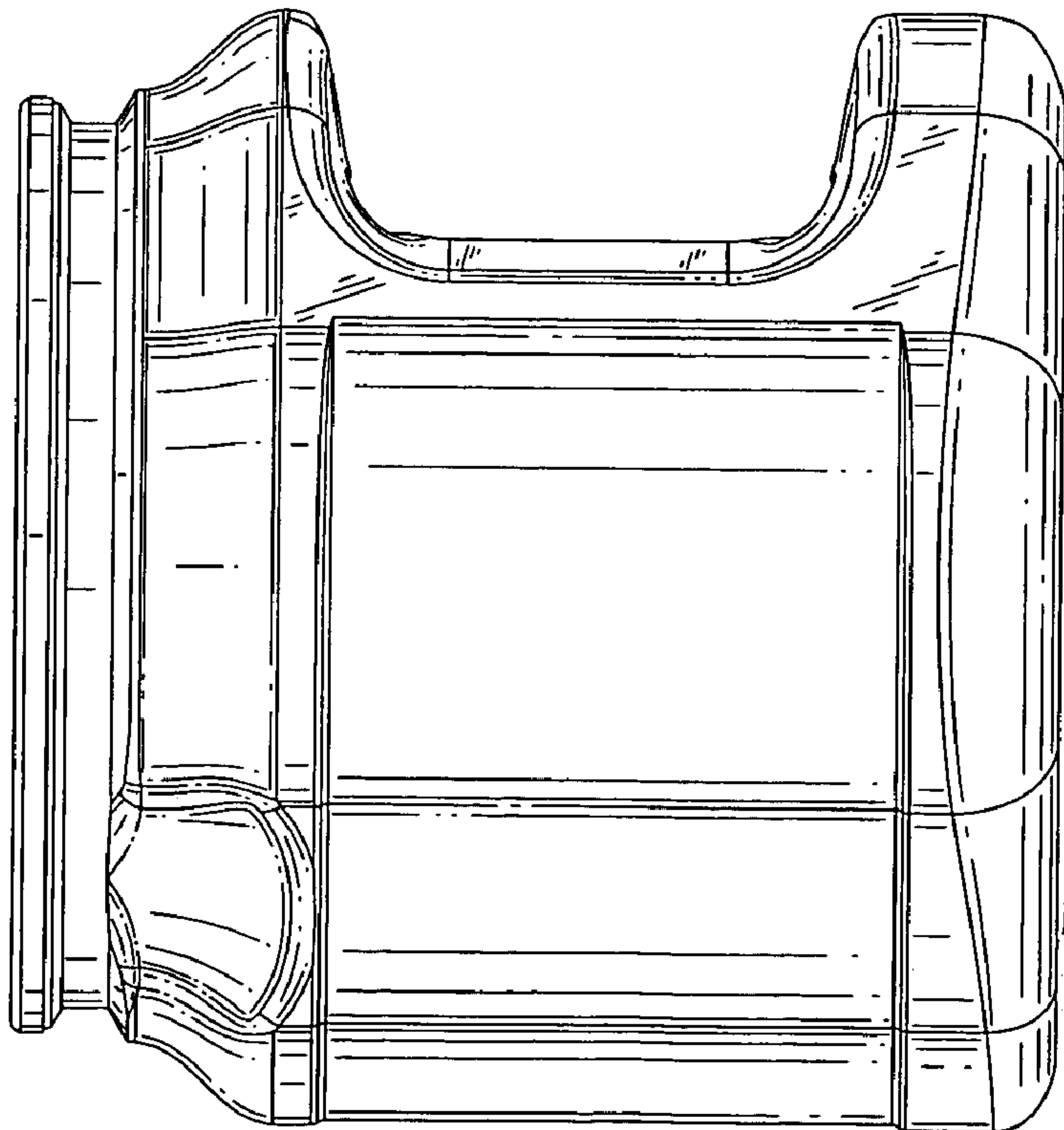


FIG. 3



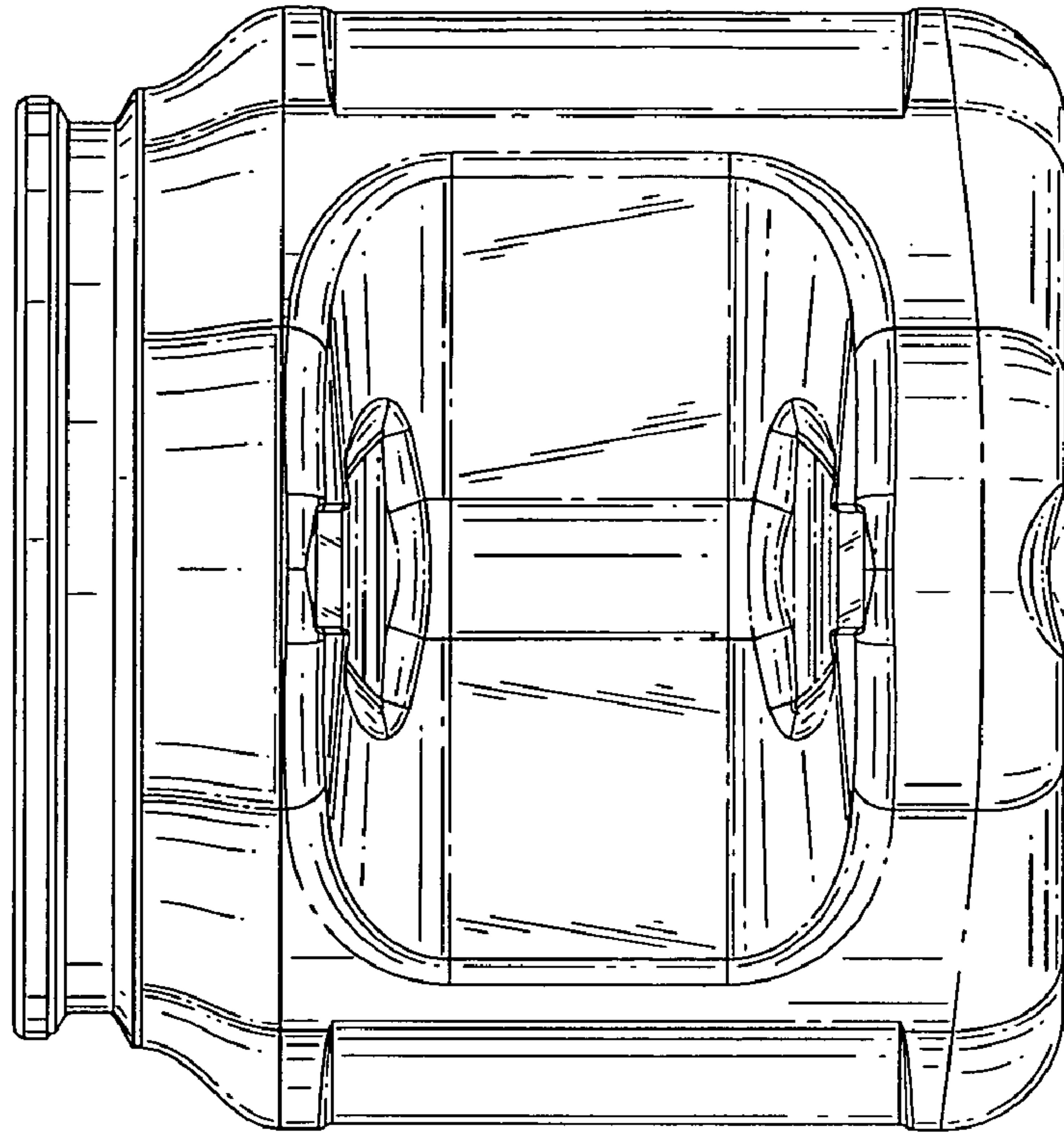


FIG. 6

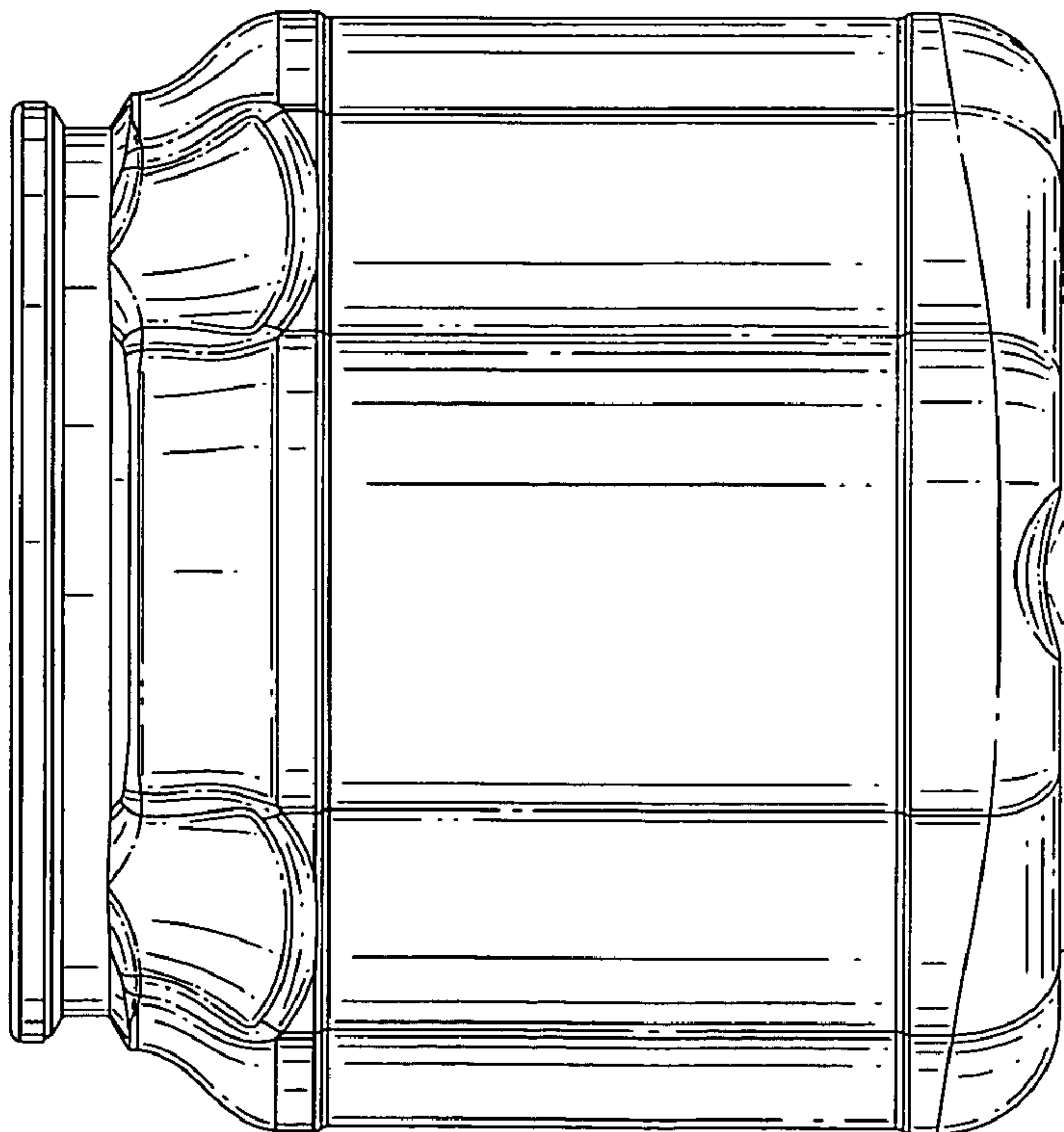


FIG. 5

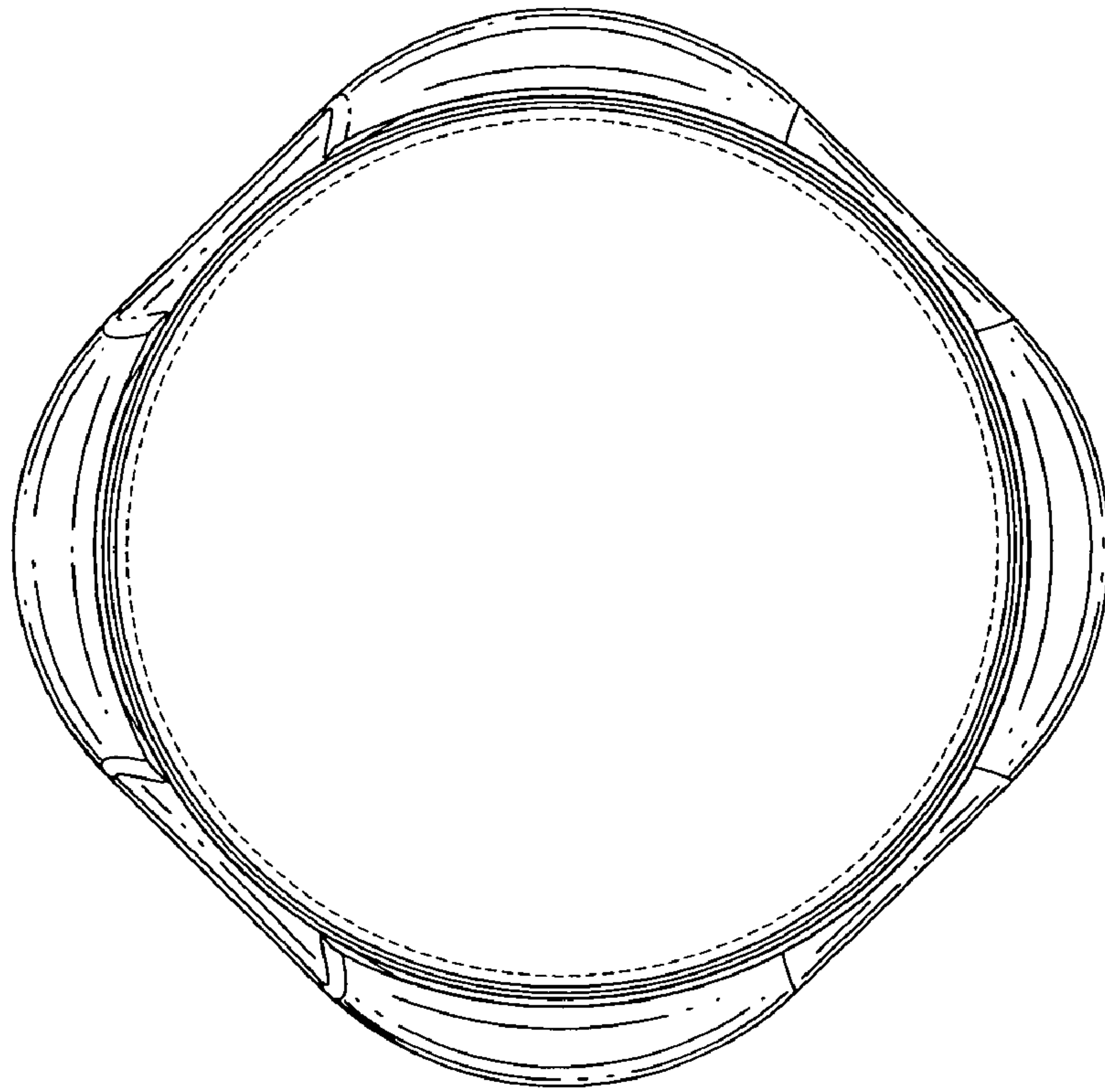


FIG. 8

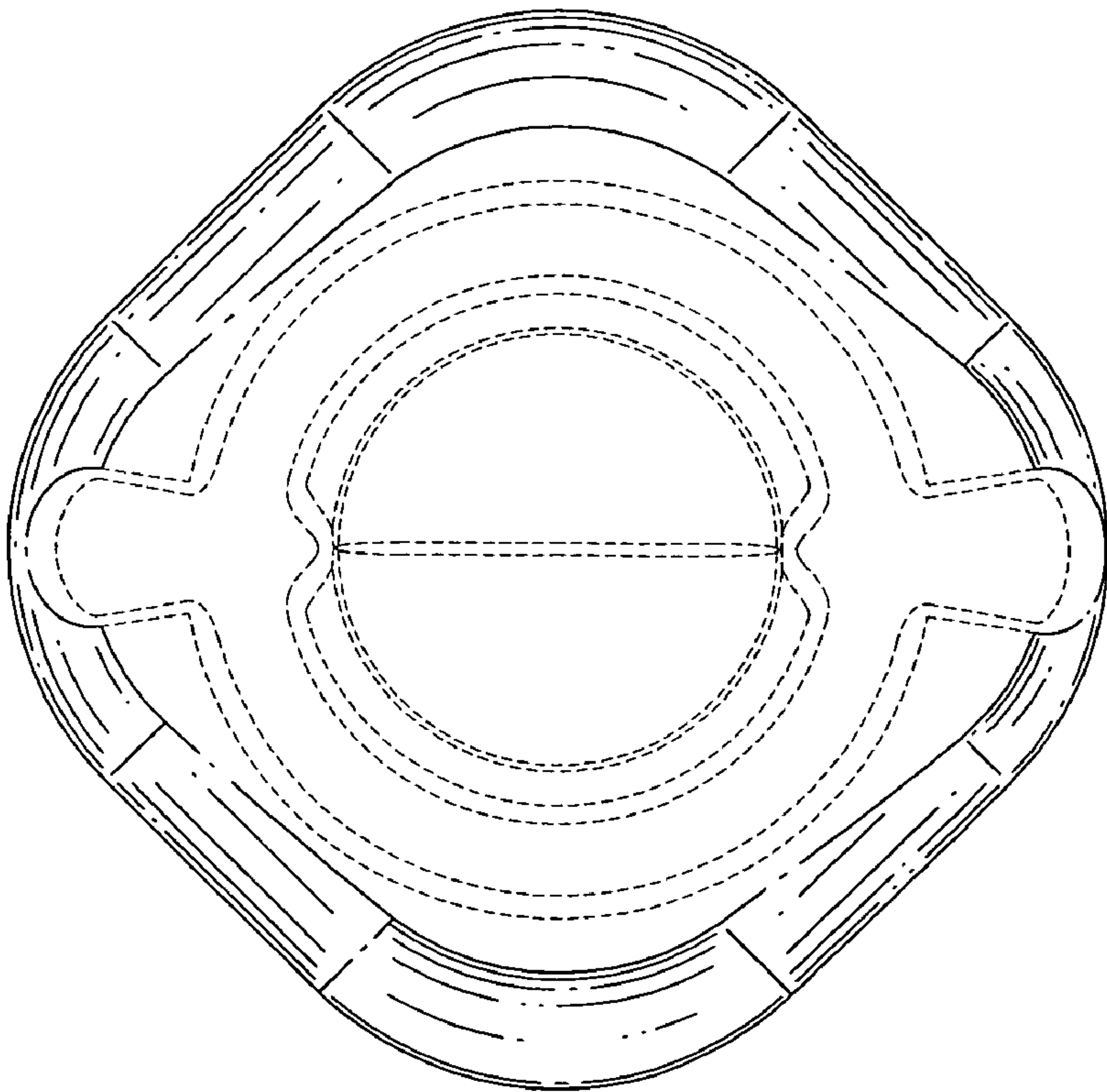


FIG. 7