



US00D544797S

(12) **United States Design Patent**  
**Wilson, II et al.**

(10) **Patent No.: US D544,797 S**  
(45) **Date of Patent: \*\* Jun. 19, 2007**

(54) **INK BOTTLE**

(75) Inventors: **James D. Wilson, II**, Collinsville, IL (US); **Charles C. Mayberry**, Harvard, IL (US)

(73) Assignee: **Videojet Technologies, Inc.**, Wood Dale, IL (US)

(\*\*) Term: **14 Years**

(21) Appl. No.: **29/207,871**

(22) Filed: **Jun. 17, 2004**

(51) **LOC (8) Cl.** ..... **09-01**

(52) **U.S. Cl.** ..... **D9/520**

(58) **Field of Classification Search** ..... D9/516,  
D9/517, 520, 521, 523, 526, 528, 545; D7/313;  
D24/122

See application file for complete search history.

(56) **References Cited**

**U.S. PATENT DOCUMENTS**

2,625,292	A	*	1/1953	Spender	.....	220/835
D192,190	S	*	2/1962	Wheeler	.....	D9/526
D342,176	S	*	12/1993	Steiner et al.	.....	D6/545
D354,414	S	*	1/1995	Westgerdes	.....	D7/313
D360,943	S	*	8/1995	Lafond	.....	D24/122
D485,189	S	*	1/2004	Montalbano et al.	.....	D9/528
D493,724	S	*	8/2004	Higuchi	.....	D9/683
D515,931	S	*	2/2006	Lintermans et al.	.....	D9/524

\* cited by examiner

*Primary Examiner*—Stella Reid

*Assistant Examiner*—Elizabeth J. Oswecki

(74) *Attorney, Agent, or Firm*—McAndrews, Held & Malloy, Ltd.

(57) **CLAIM**

The ornamental design for the ink bottle, as shown and described.

**DESCRIPTION**

FIG. 1 illustrates an isometric top view of an ink bottle configured to be used with an ink jet printer, according to an embodiment of the present invention.

FIG. 2 illustrates an isometric bottom view of the ink bottle, according to an embodiment of the present invention.

FIG. 3 illustrates a front elevation view of the ink bottle, according to an embodiment of the present invention.

FIG. 4 illustrates a rear elevation view of the ink bottle, according to an embodiment of the present invention.

FIG. 5 illustrates a first lateral elevation view of the ink bottle, according to an embodiment of the present invention.

FIG. 6 illustrates a second lateral elevation view of the ink bottle, according to an embodiment of the present invention.

FIG. 7 illustrates a top plan view of the ink bottle, according to an embodiment of the present invention.

FIG. 8 illustrates a bottom plan view of the ink bottle, according to an embodiment of the present invention.

FIG. 9 illustrates an isometric top view of the ink bottle, according to an embodiment of the present invention.

FIG. 10 illustrates an isometric bottom view of the ink bottle, according to an embodiment of the present invention.

FIG. 11 illustrates a front elevation view of the ink bottle, according to an embodiment of the present invention.

FIG. 12 illustrates a rear elevation view of the ink bottle, according to an embodiment of the present invention.

FIG. 13 illustrates a first lateral elevation view of the ink bottle, according to an embodiment of the present invention.

FIG. 14 illustrates a second lateral elevation view of the ink bottle, according to an embodiment of the present invention.

FIG. 15 illustrates a top plan view of the ink bottle, according to an embodiment of the present invention; and,

FIG. 16 illustrates a bottom plan view of the ink bottle, according to an embodiment of the present invention.

While an ink bottle is shown, it is to be noted that the features shown and described may be positioned on opposite sides of the ink bottle. For example, the locating feature shown in FIG. 12 may be positioned on the first or second sides of the ink bottle.

The broken line showing the ink bottle is included for the purpose of illustrating only and forms no part of the claimed design.

**1 Claim, 6 Drawing Sheets**

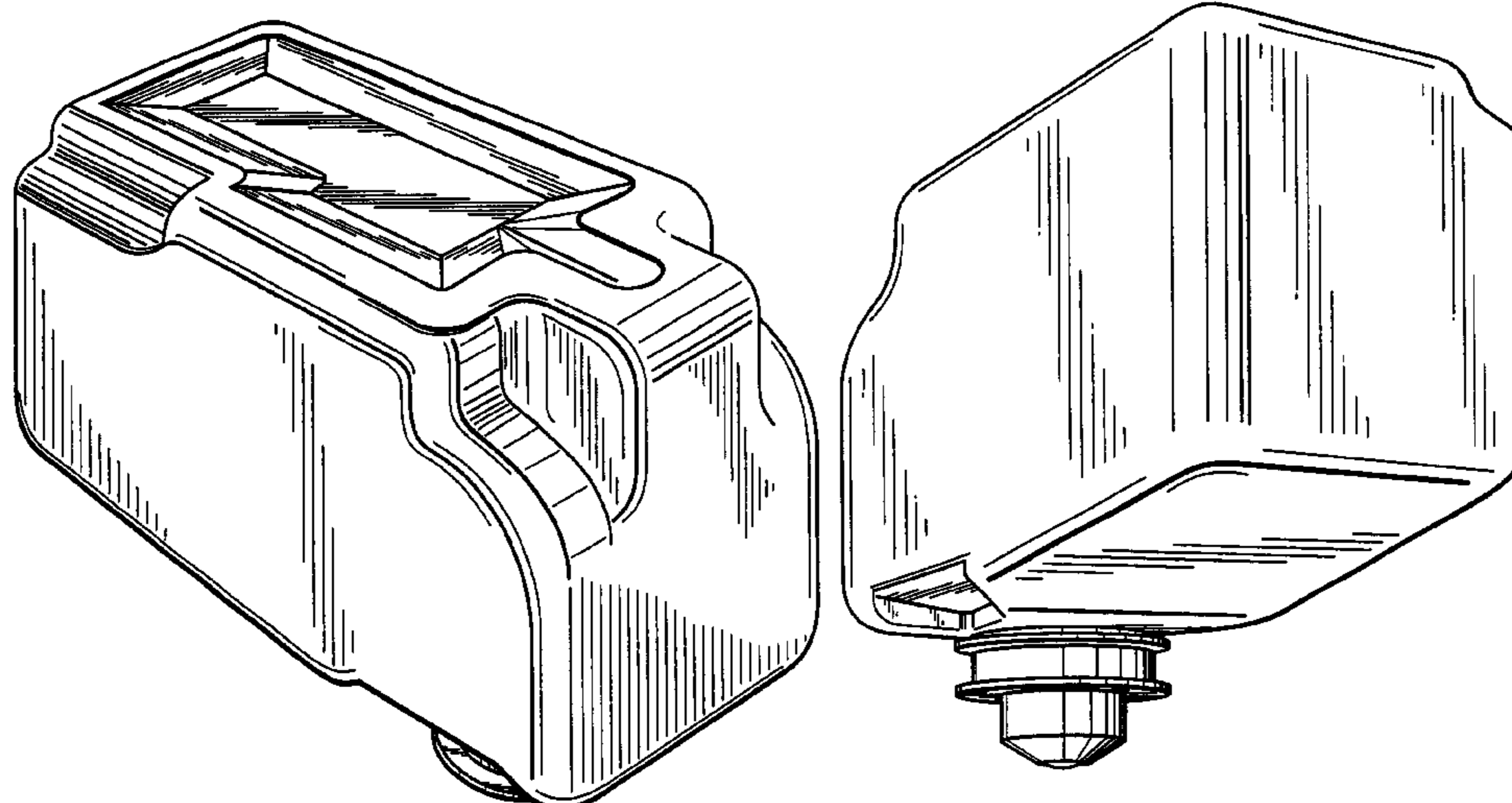


Fig. 1

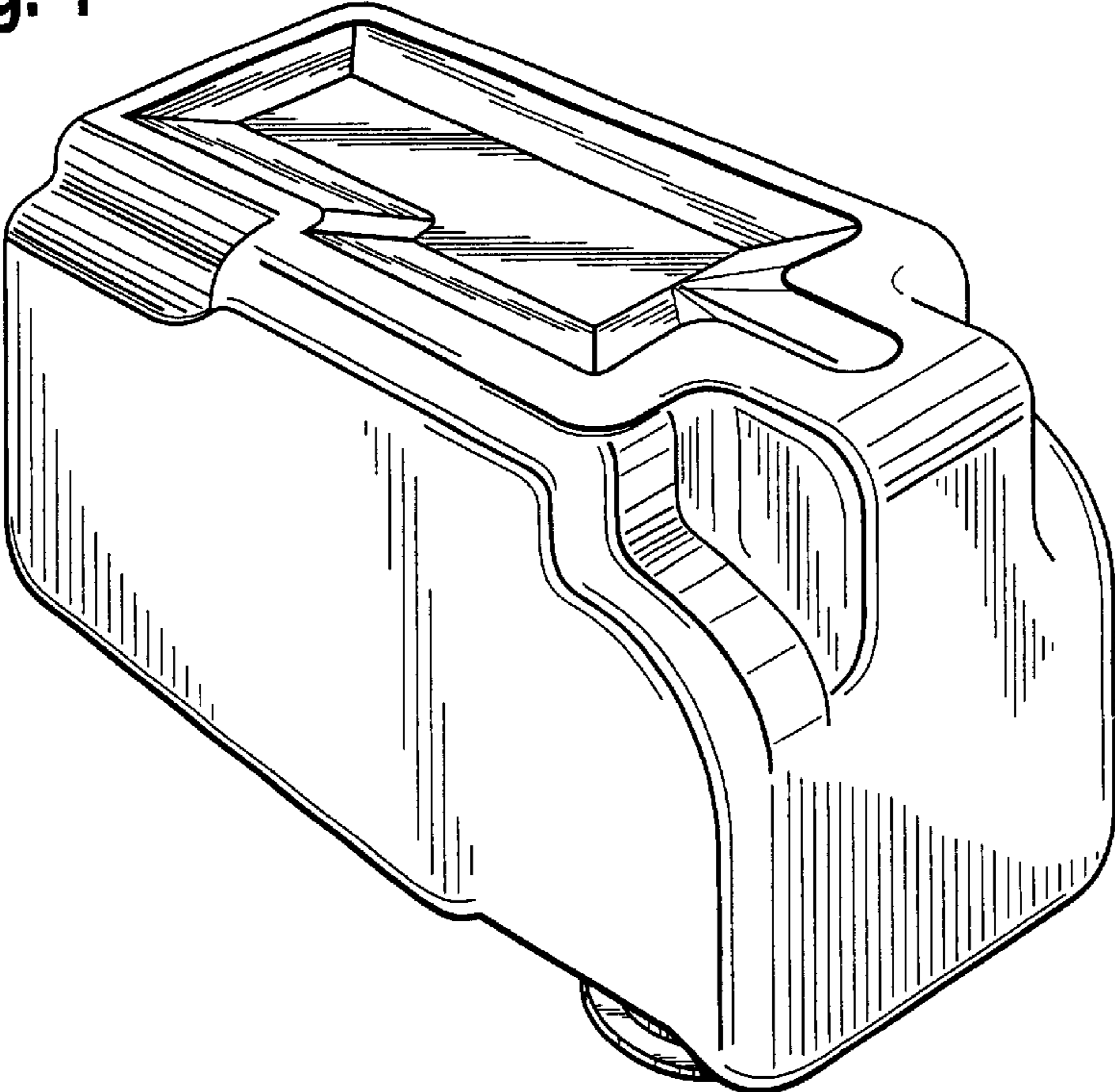
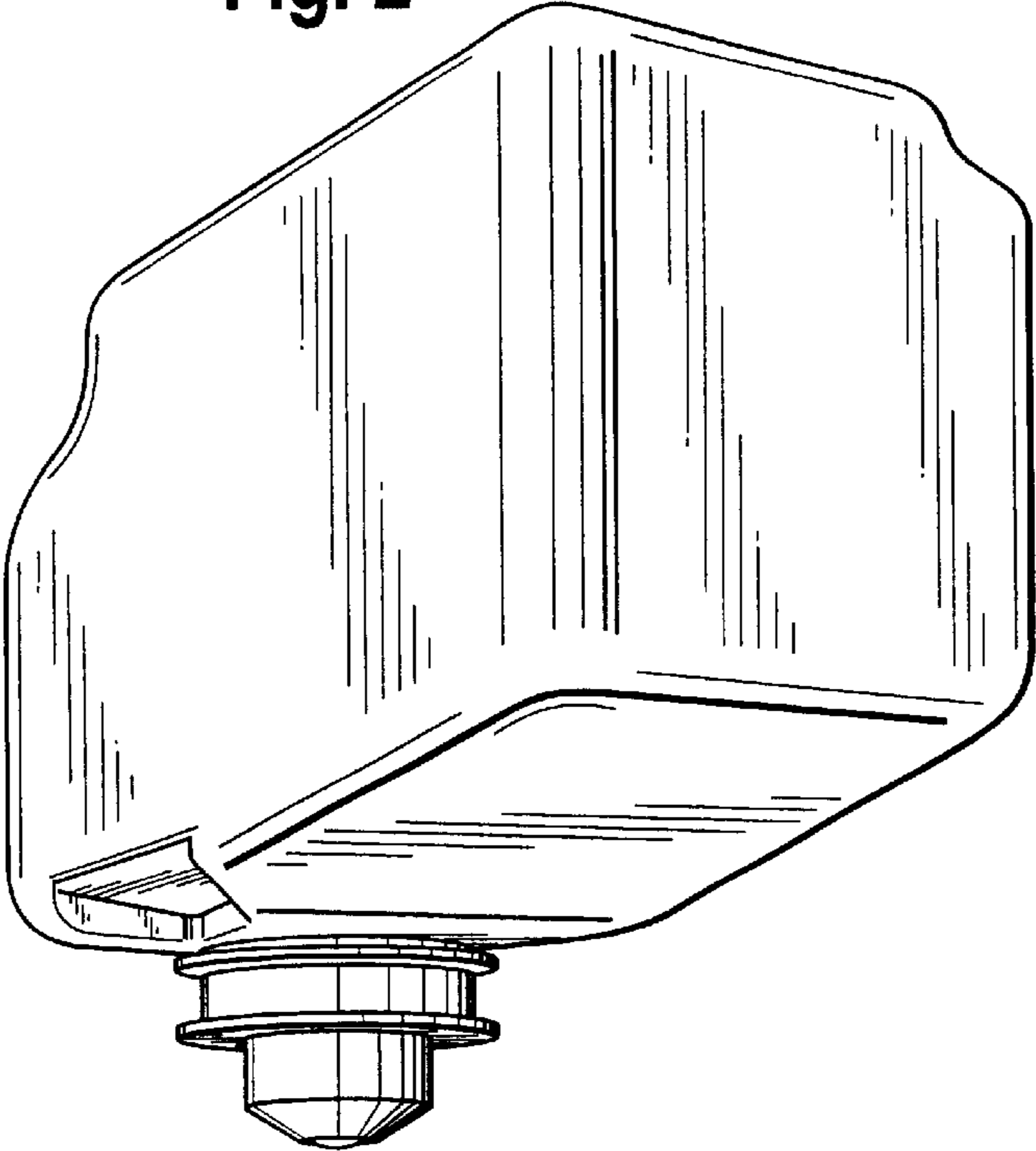
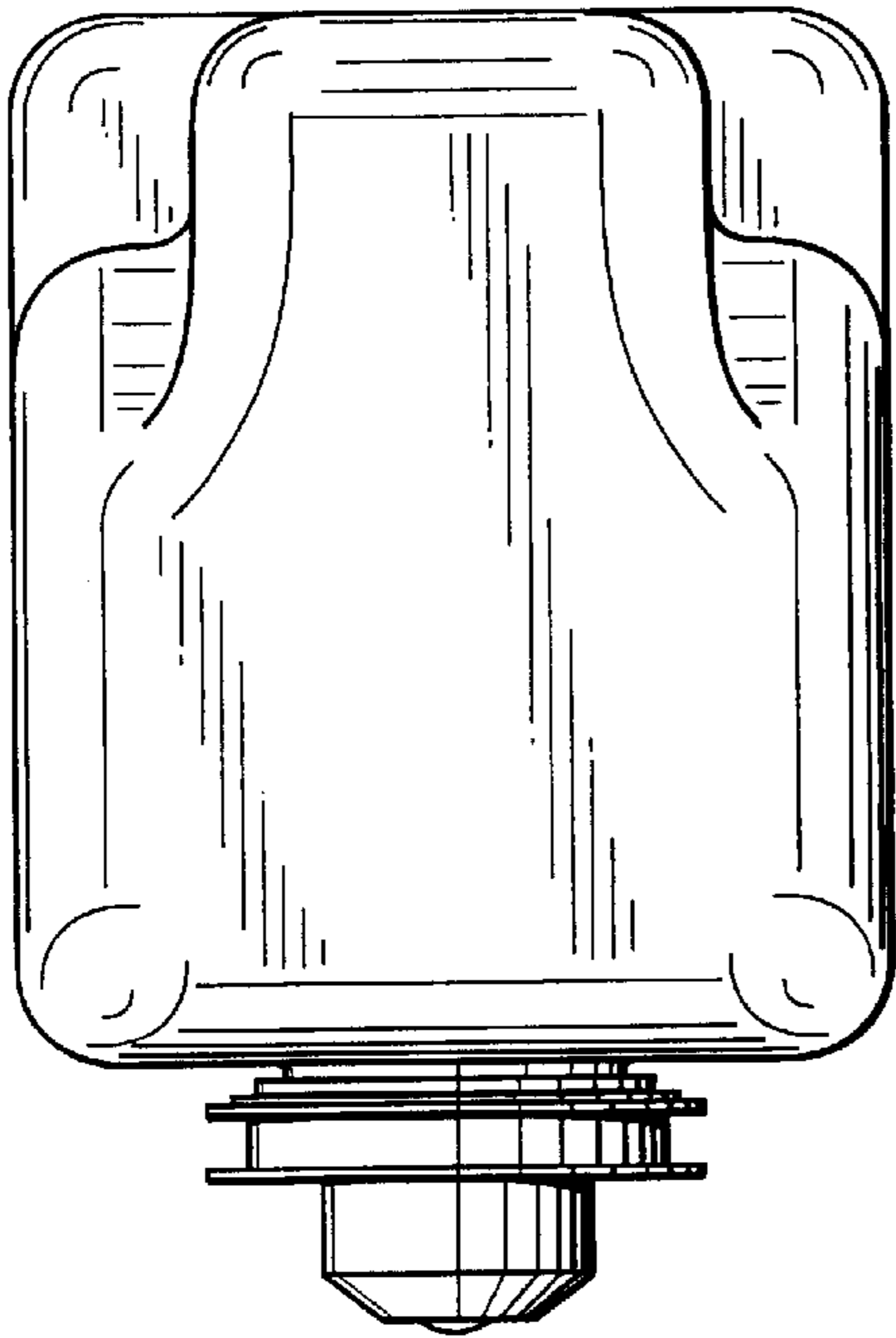


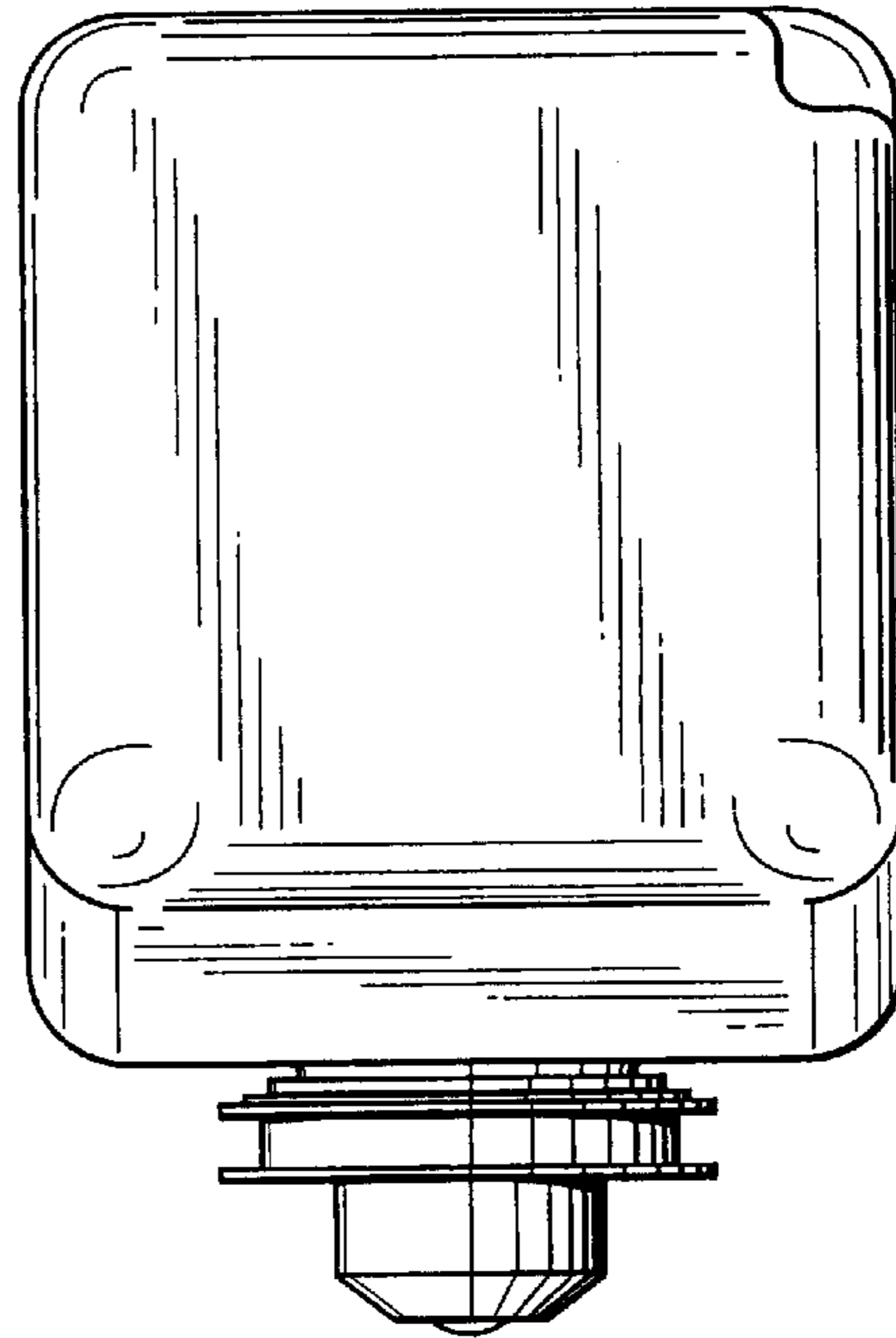
Fig. 2



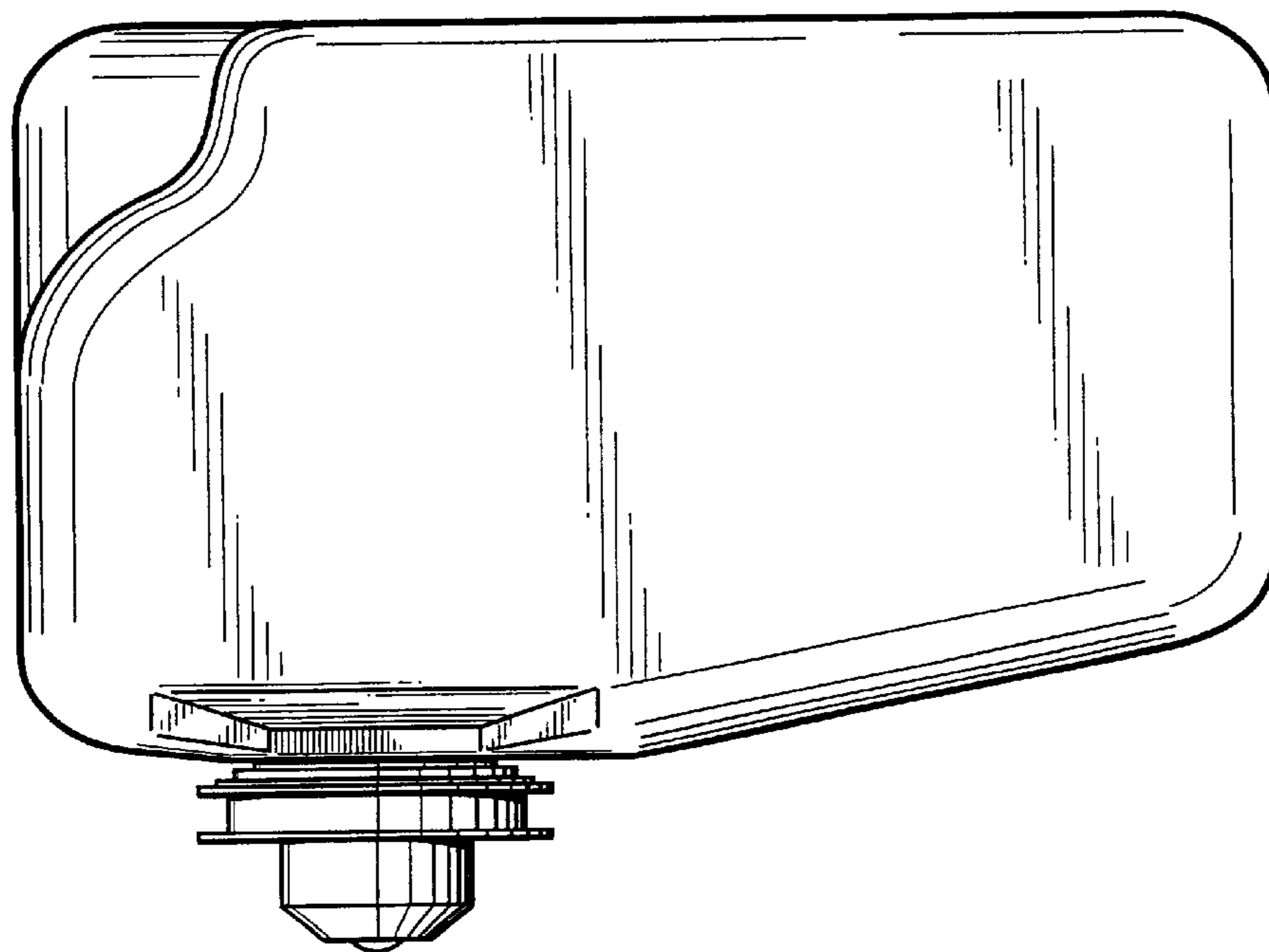
**Fig. 3**



**Fig. 4**

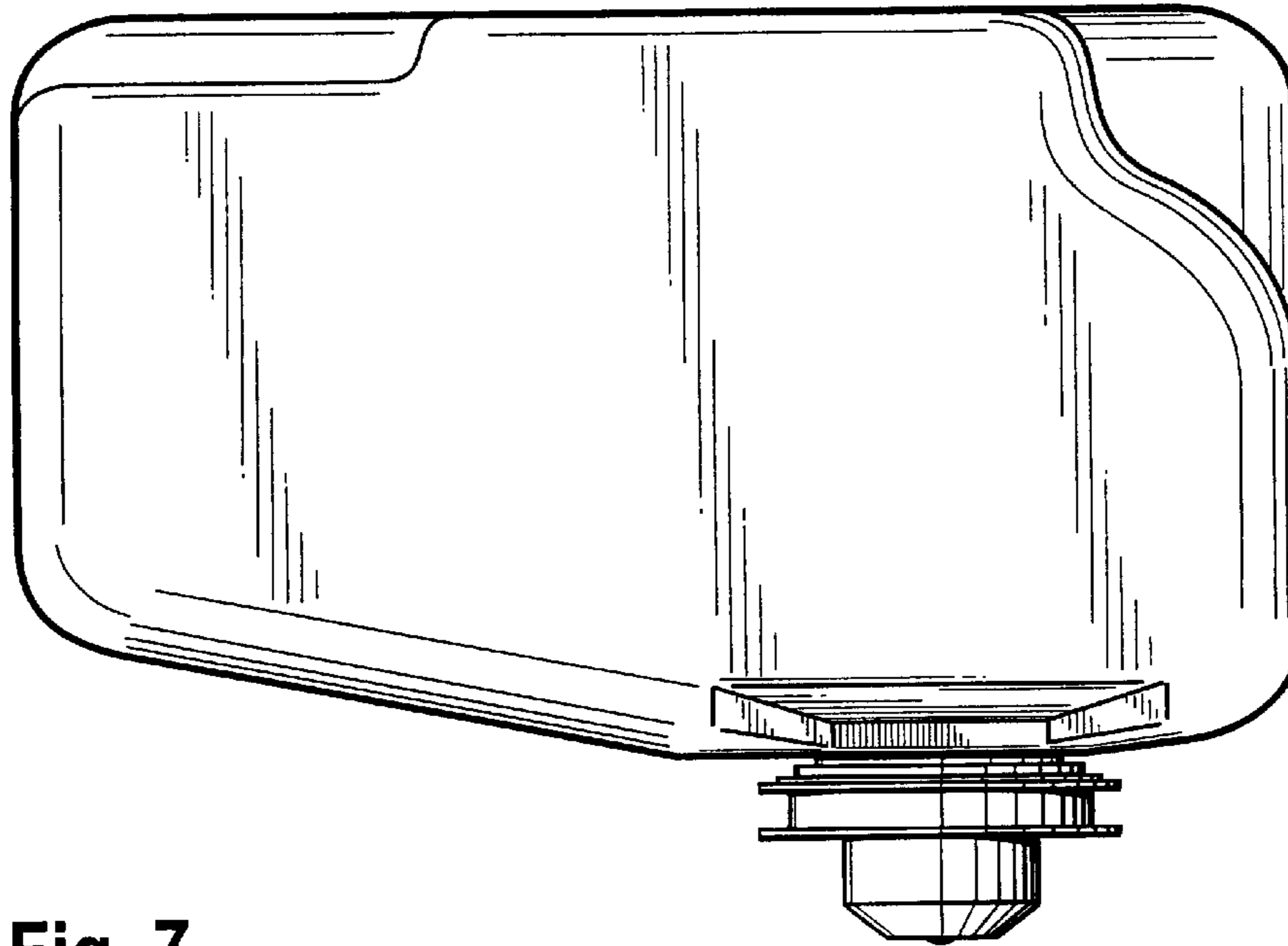


**Fig. 5**

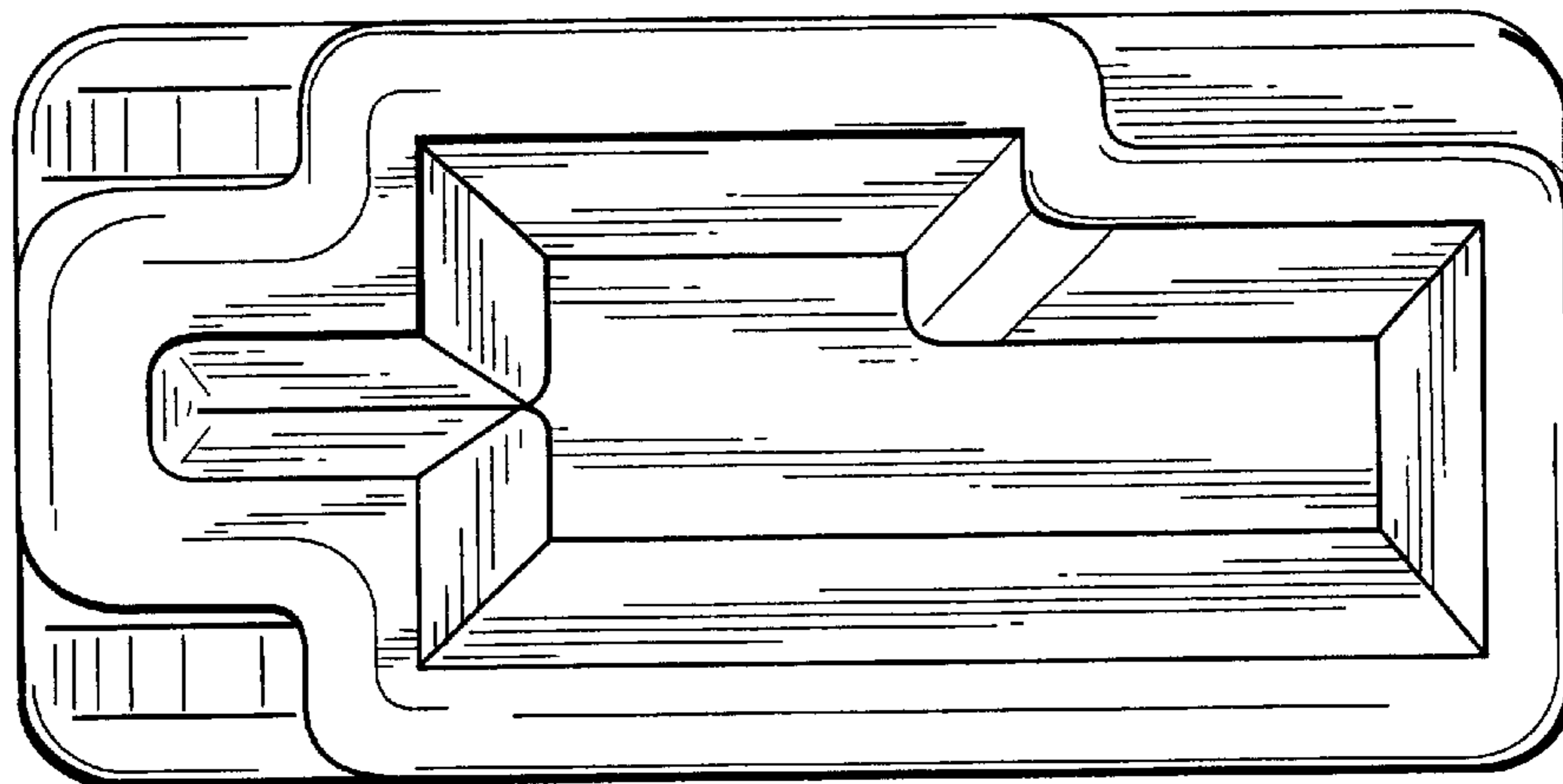




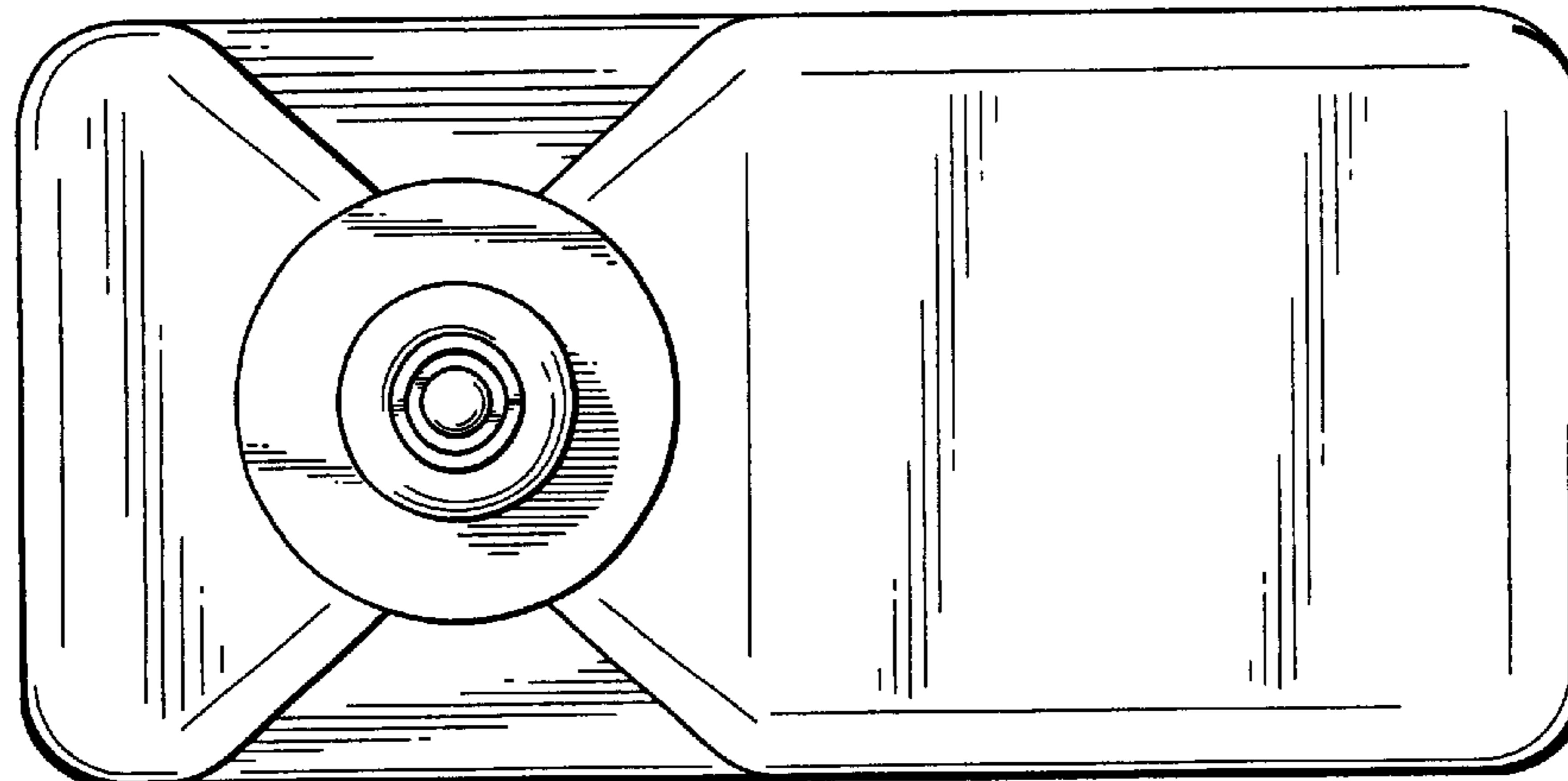
**Fig. 6**



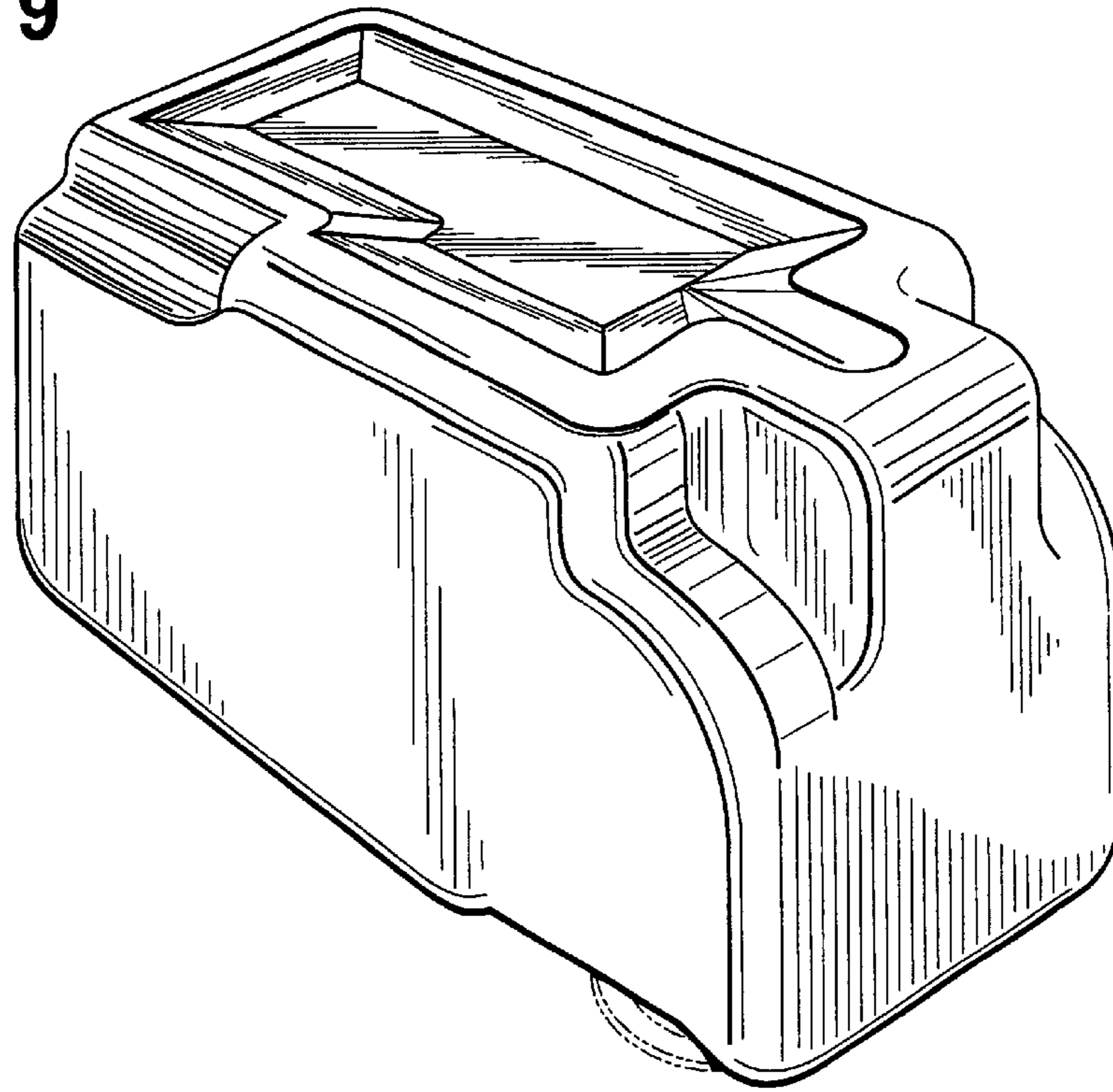
**Fig. 7**



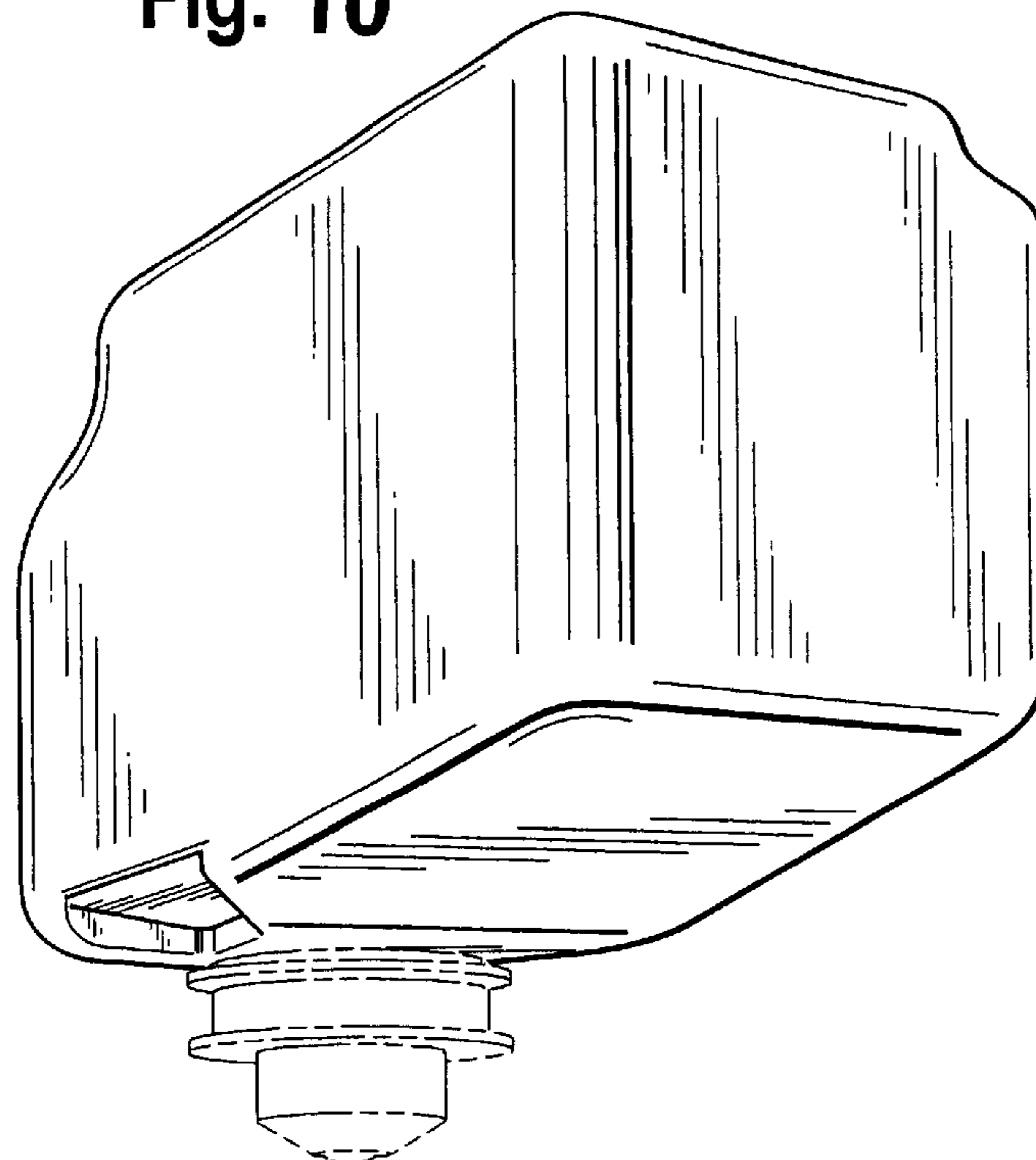
**Fig. 8**



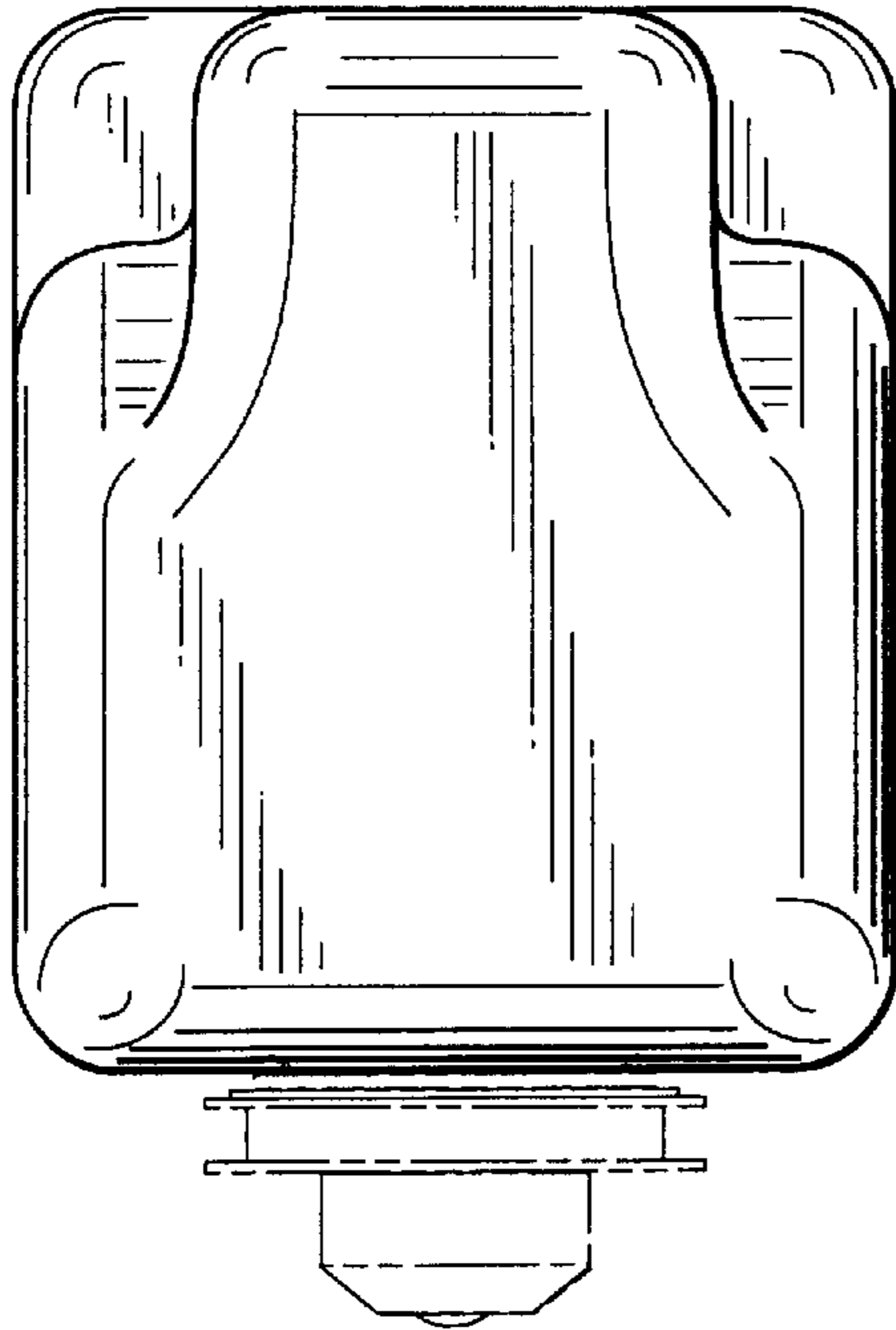
**Fig. 9**



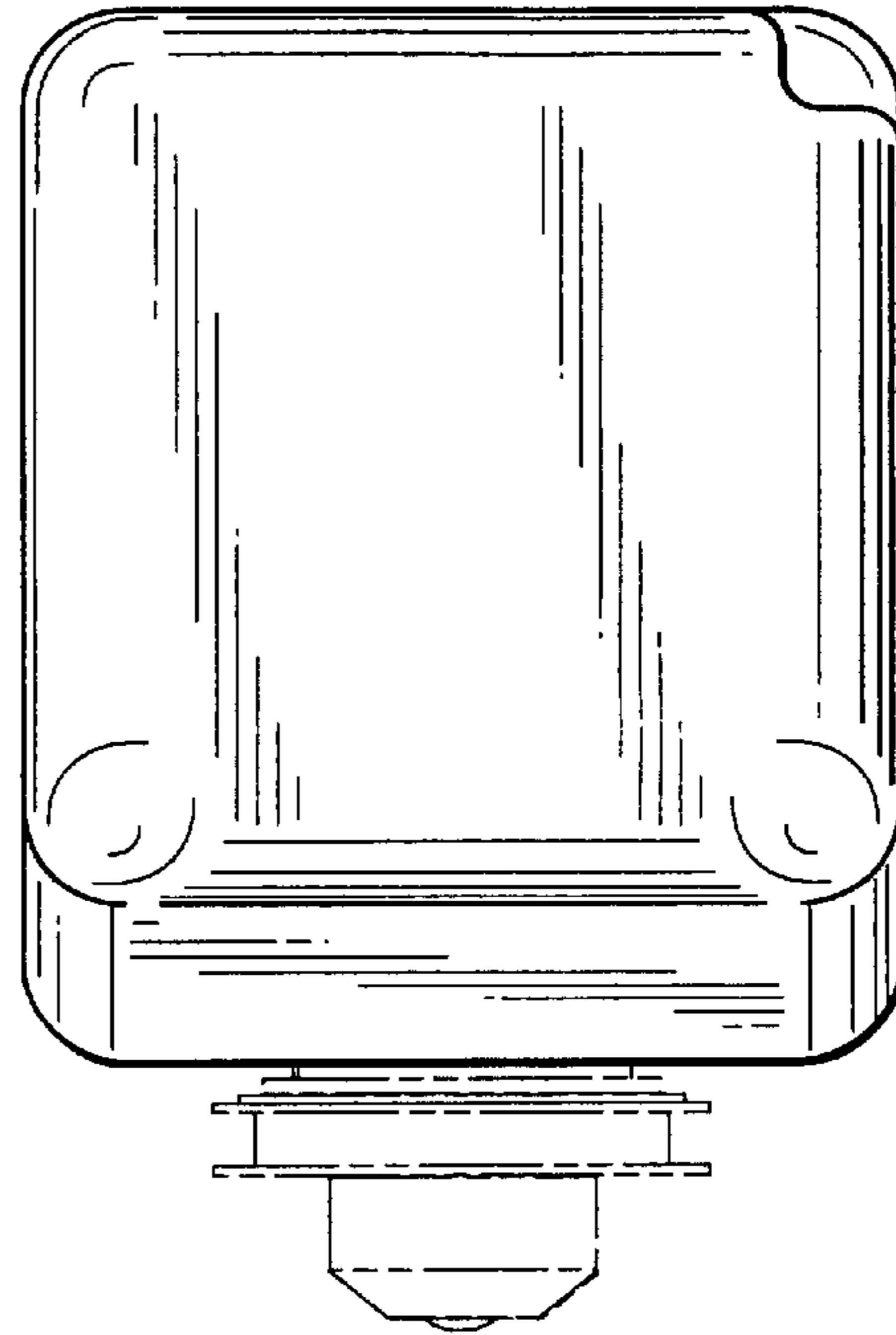
**Fig. 10**



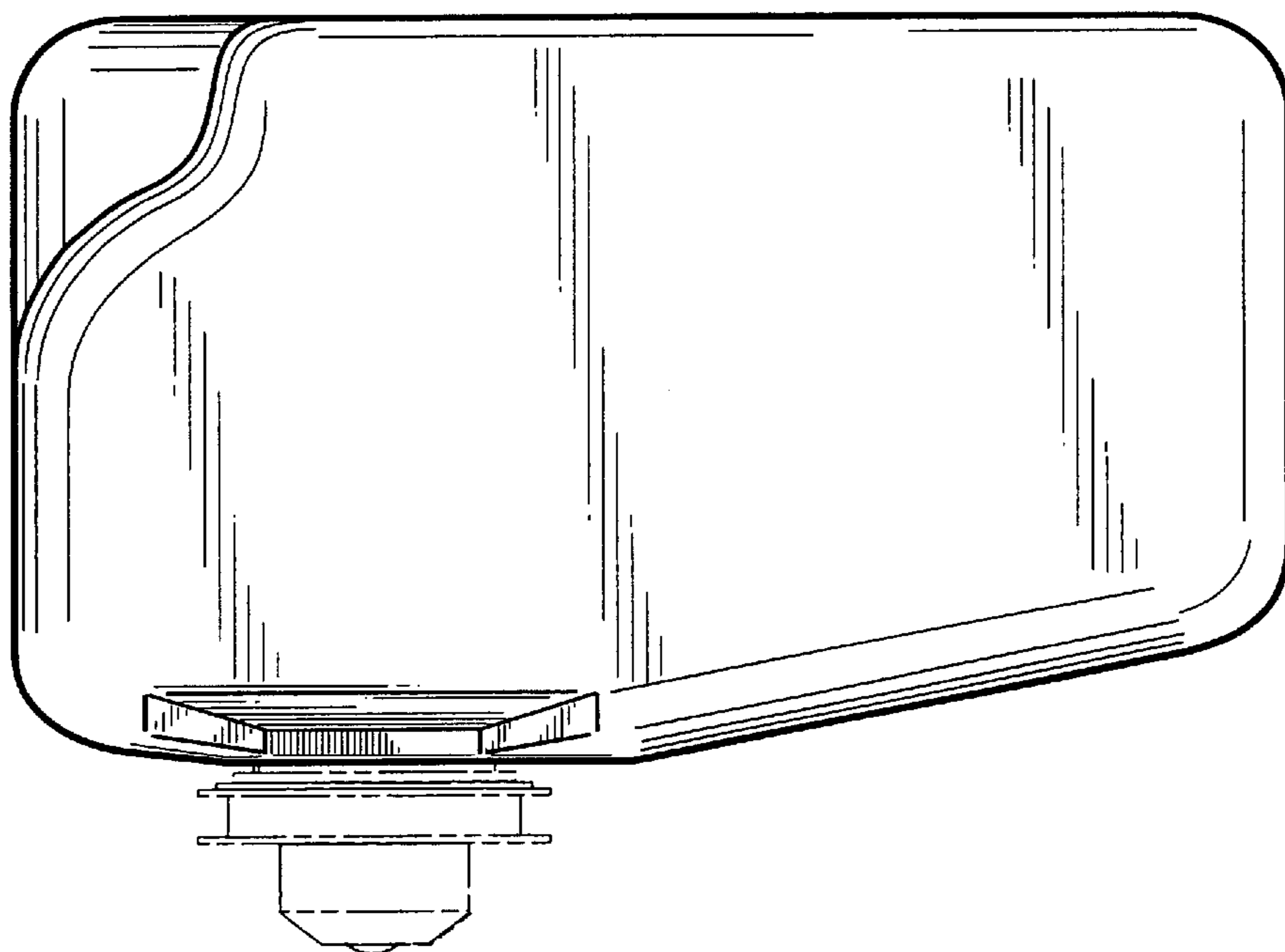
**Fig. 11**



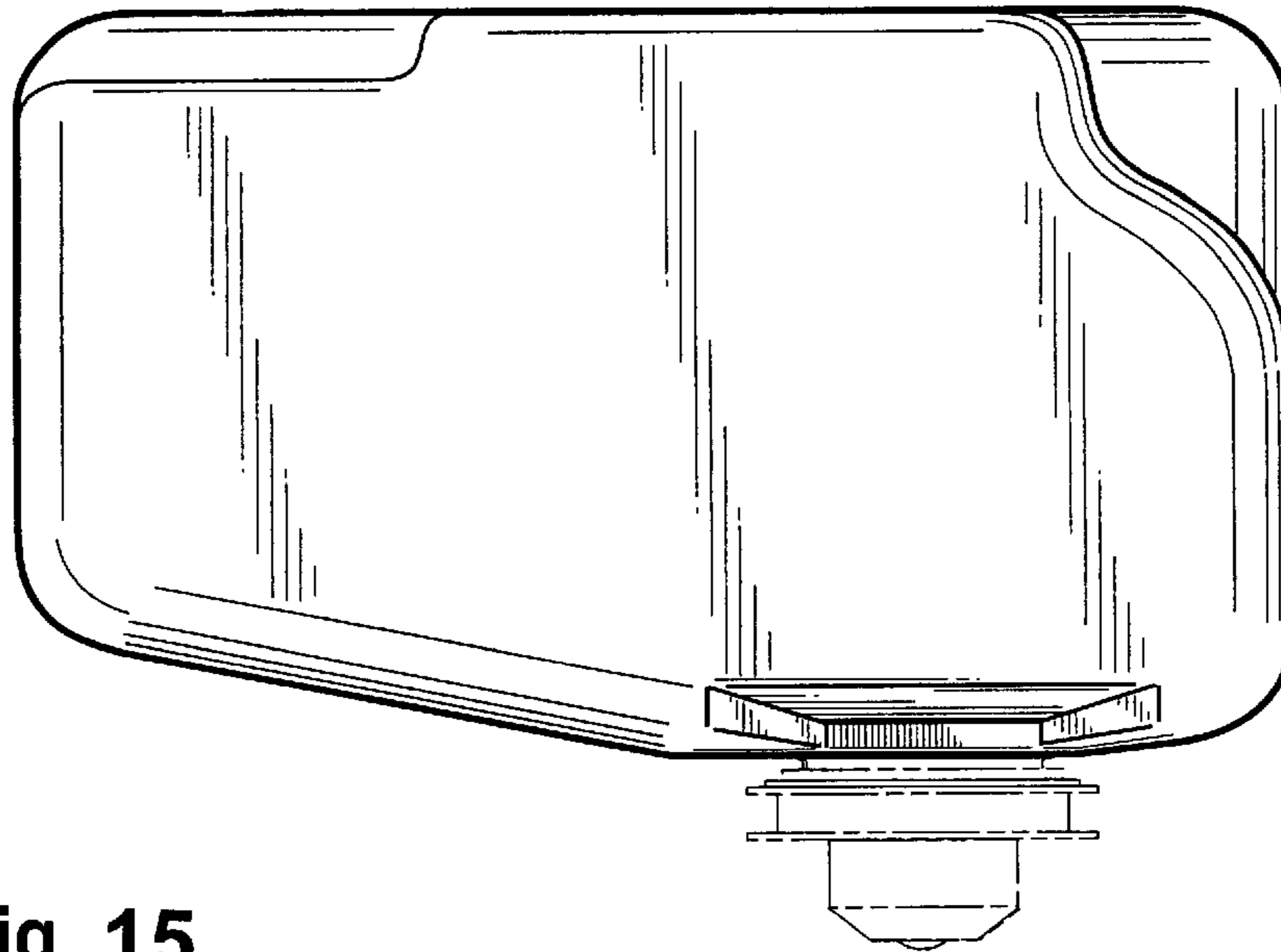
**Fig. 12**



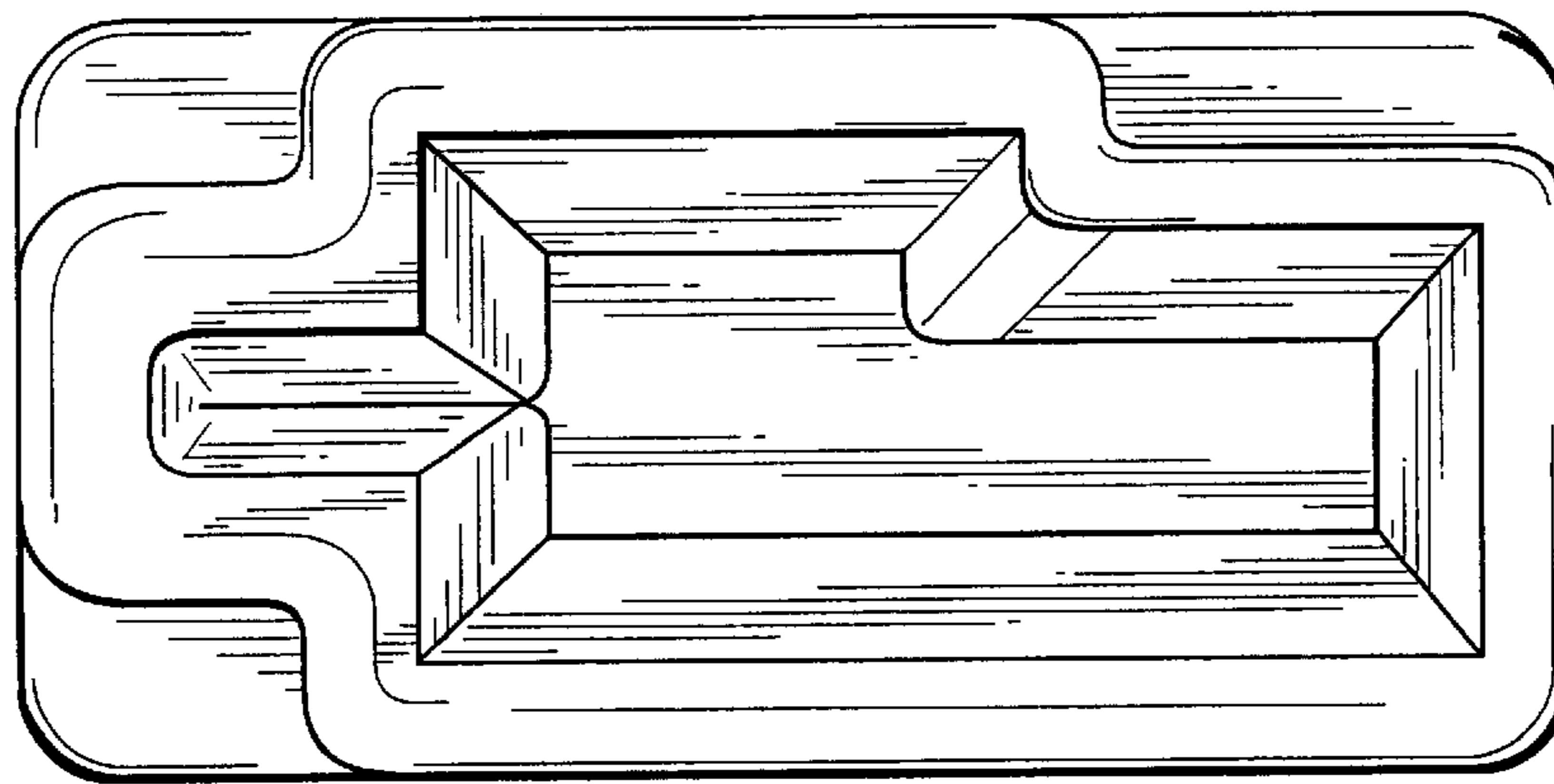
**Fig. 13**



**Fig. 14**



**Fig. 15**



**Fig. 16**

