



US00D544793S

(12) **United States Design Patent**
Hollis et al.

(10) **Patent No.:** **US D544,793 S**
(45) **Date of Patent:** **** Jun. 19, 2007**

(54) **DISPOSABLE CUP LID**

(57) **CLAIM**

(75) Inventors: **Robert W. Hollis**, Homer Glen, IL (US); **Weston S. Koennecke**, Oak Park, IL (US); **John Russell Geer, III**, Downers Grove, IL (US)

The ornamental design for a disposable cup lid, as shown and described.

(73) Assignee: **Prairie Packaging, Inc.**, Bedford Park, IL (US)

DESCRIPTION

(**) Term: **14 Years**

This application relates for the following co-pending commonly owned patent applications: "Disposable Cup Lid," Ser. No. 29/275,939, and "Disposable Cup Lid," Ser. No. 29/275,937.

(21) Appl. No.: **29/275,940**

FIG. 1 is a rear perspective view of a disposable cup lid of our new design, that portion of the cup lid shown in phantom is not part of the claimed design and is provided for environmental purposes only.

(22) Filed: **Jan. 10, 2007**

Related U.S. Application Data

FIG. 2 is a top plan view of the disposable cup lid of in FIG. 1, that portion of the cup lid shown in phantom is not part of the claimed design and is provided for environmental purposes only.

(60) Continuation of application No. 29/248,898, filed on Sep. 8, 2006, now Pat. No. Des. 540,166, which is a division of application No. 29/230,074, filed on May 16, 2006, now Pat. No. Des. 533,778.

(51) **LOC (8) Cl.** **09-07**

FIG. 3 is a bottom plan view of the disposable cup lid of in FIG. 1, that portion of the cup lid shown in phantom is not part of the claimed design and is provided for environmental purposes only.

(52) **U.S. Cl.** **D9/447; D9/435**

(58) **Field of Classification Search** D9/454, D9/450, 449, 447, 445, 441, 438, 435, 434; D7/629, 511, 510, 396.2, 392.1, 317, 391, D7/392; D3/203.2, 202; 222/555, 451.2; 220/713, 712, 270, 253, 454.1-9

See application file for complete search history.

FIG. 4 is a front side view of the disposable cup lid of in FIG. 1, that portion of the cup lid shown in phantom is not part of the claimed design and is provided for environmental purposes only.

(56) **References Cited**

U.S. PATENT DOCUMENTS

2,184,215 A 12/1939 Geyer

FIG. 5 is a rear side view of the disposable cup lid of in FIG. 1, that portion of the cup lid shown in phantom is not part of the claimed design and is provided for environmental purposes only; and,

FIG. 6 is a side view of the disposable cup lid of in FIG. 1, that portion of the cup lid shown in phantom is not part of the claimed design and is provided for environmental purposes only.

The broken lines consisting of a long dash and a dot immediately adjacent to the shaded areas represent the bounds of the claim and form no part of the claimed design.

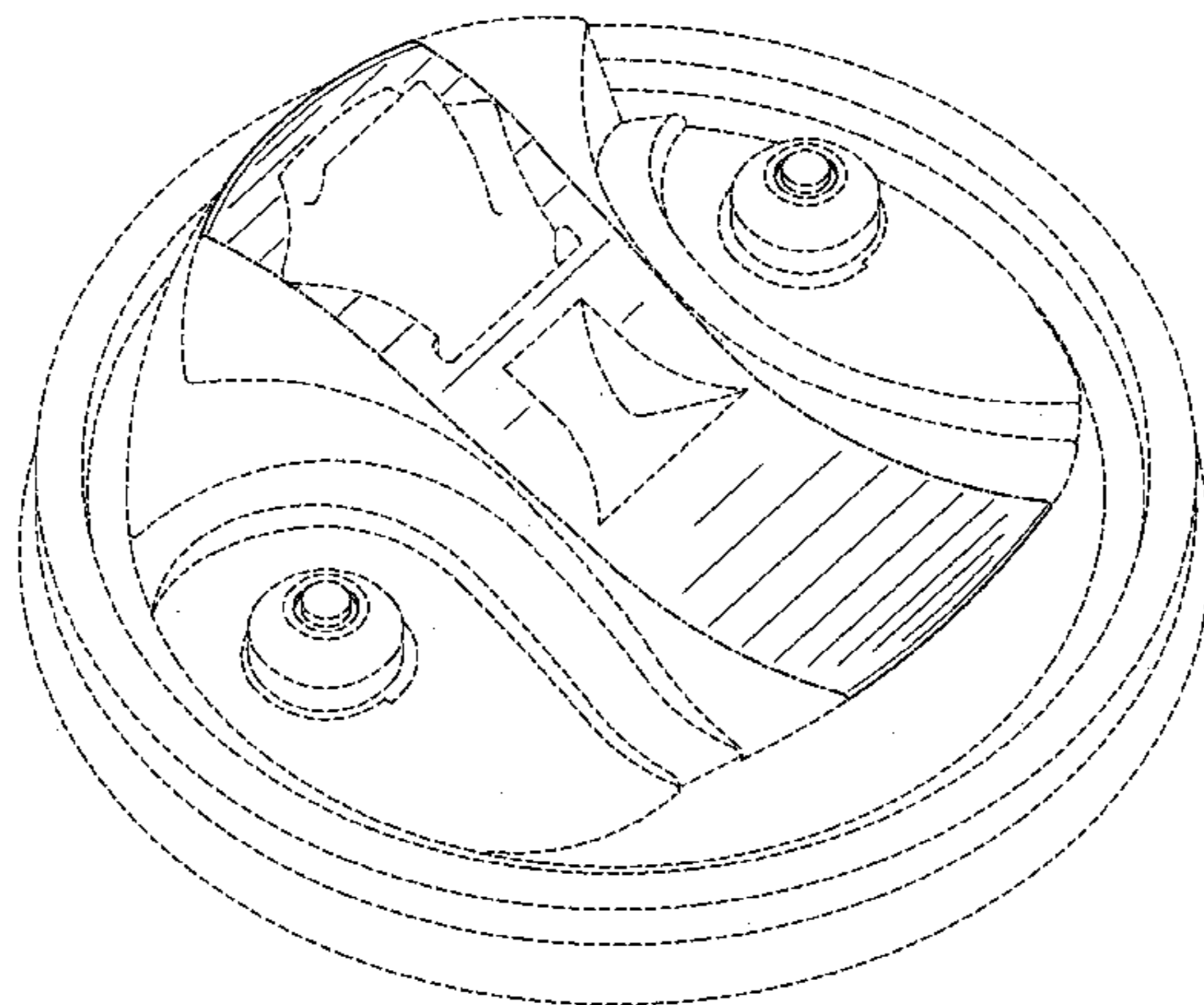
(Continued)

Primary Examiner—Robert M. Spear

Assistant Examiner—Susan Bennett Hattan

(74) *Attorney, Agent, or Firm*—Bell, Boyd & Lloyd LLP

1 Claim, 3 Drawing Sheets



US D544,793 S

U.S. PATENT DOCUMENTS					
2,913,140	A *	11/1959	Vuillemenot	220/210	D353,769 S 12/1994 Miller
3,302,858	A	2/1967	Miller		D354,438 S 1/1995 Miller
3,596,792	A	8/1971	Wilcox		5,392,949 A 2/1995 McKenna
3,777,968	A	12/1973	Law		5,398,843 A 3/1995 Warden et al.
3,860,162	A	1/1975	Schutz		D360,133 S 7/1995 Boller
3,952,910	A	4/1976	Wheeler		5,490,609 A 2/1996 Lane et al.
RE28,797	E	5/1976	Brewer		5,503,289 A 4/1996 Fox
3,977,559	A	8/1976	Lombardi		5,509,568 A 4/1996 Warden et al.
3,977,562	A	8/1976	Wedzik		D372,866 S 8/1996 Ahern, Jr.
3,994,411	A	11/1976	Elfelt et al.		D374,590 S * 10/1996 Ahern, Jr. D7/392.1
4,056,210	A	11/1977	Boyle		D374,794 S * 10/1996 Ahern, Jr. D7/392.1
4,090,660	A	5/1978	Schram et al.		5,613,619 A 3/1997 Van Melle
4,106,660	A	8/1978	Boyle		5,624,053 A 4/1997 Freek et al.
4,113,135	A	9/1978	Yamazaki		5,699,927 A 12/1997 Lane et al.
4,138,033	A	2/1979	Payne et al.		5,706,972 A * 1/1998 Sousa 220/714
4,164,303	A	8/1979	Waterbury		D390,465 S 2/1998 Frye
4,184,604	A	1/1980	Amberg et al.		5,722,558 A 3/1998 Thompson
4,186,842	A	2/1980	Albert		D394,184 S 5/1998 Demore
4,187,954	A	2/1980	Striggow		5,798,079 A 8/1998 Freek et al.
4,190,174	A	2/1980	Haimowitz		5,820,016 A 10/1998 Stropkay
4,202,459	A	5/1980	DeParales et al.		5,839,601 A 11/1998 Van Melle
4,210,272	A	7/1980	Sequin		D402,556 S 12/1998 Frye
4,243,156	A	1/1981	Lobbestael		D405,011 S 2/1999 DeCoster et al.
D259,403	S	6/1981	Frazier, Jr.		5,894,950 A 4/1999 Kick
4,285,442	A	8/1981	Wedzik		5,894,952 A 4/1999 Mendenhall et al.
4,319,691	A	3/1982	Hament		5,911,331 A 6/1999 Boller
4,319,692	A	3/1982	Gundlach		5,947,323 A 9/1999 Freek et al.
4,322,015	A	3/1982	Bailey		D416,170 S 11/1999 Stucke, Jr. et al.
4,345,695	A	8/1982	Galloway et al.		5,979,647 A 11/1999 Han
D267,633	S	1/1983	Christian		5,996,837 A 12/1999 Freek et al.
4,377,244	A	3/1983	Rossetti		D418,363 S 1/2000 Barnes et al.
4,412,629	A	11/1983	Dart et al.		6,076,450 A 6/2000 DiGiorgio, Jr.
D271,857	S	12/1983	Callahan		6,079,588 A 6/2000 Khafizov
4,421,244	A	12/1983	Van Melle		6,089,397 A 7/2000 Van Melle
4,438,865	A	3/1984	Scattaregia		6,176,390 B1 1/2001 Kemp
4,441,624	A	4/1984	Sokolowski		6,209,748 B1 4/2001 Dunbar
D274,502	S	7/1984	Little		6,220,470 B1 4/2001 McHenry et al.
4,460,103	A	7/1984	Rama et al.		6,260,727 B1 7/2001 Durdon
RE31,650	E	8/1984	Serritella		D447,412 S 9/2001 Durdon
D274,983	S	8/1984	Dart et al.		6,398,083 B2 6/2002 Nybakke
4,473,167	A	9/1984	Bailey		D461,361 S 8/2002 Orr et al.
4,489,848	A	12/1984	Braude		6,505,753 B1 1/2003 Freek et al.
4,502,608	A	3/1985	Mills		D470,009 S 2/2003 Turchi et al.
4,518,096	A	5/1985	Winstead		6,533,139 B2 3/2003 Lukacevic
4,566,605	A	1/1986	Rogers		6,571,973 B1 6/2003 Tripsianes
4,582,214	A	4/1986	Dart et al.		D476,566 S 7/2003 Smith et al.
4,589,569	A	5/1986	Clements		D476,567 S 7/2003 Weiss et al.
D285,416	S	9/1986	Dart et al.		D476,891 S 7/2003 Clarke et al.
4,615,459	A	10/1986	Clements		D477,223 S 7/2003 Smith et al.
4,627,537	A	12/1986	Rogers		D478,006 S 8/2003 Smith et al.
4,629,088	A	12/1986	Durgin		D479,802 S * 9/2003 Arduini D9/505
D287,919	S	1/1987	Clements		6,612,456 B1 9/2003 Hundley et al.
4,738,373	A	4/1988	DeParales		D480,968 S 10/2003 Atkins et al.
4,741,450	A	5/1988	Braude		D481,633 S 11/2003 Schmidtner et al.
4,753,365	A	6/1988	Seppala		6,644,490 B2 11/2003 Clarke
4,756,440	A	7/1988	Gartner		D485,758 S 1/2004 Clarke et al.
4,760,934	A	8/1988	Netsch		D485,759 S 1/2004 Janky et al.
4,934,558	A	6/1990	Vargas		6,679,397 B2 1/2004 Smith et al.
4,938,379	A	7/1990	Kellner		D487,399 S 3/2004 Schmidtner et al.
4,949,865	A	8/1990	Turner		6,702,145 B2 3/2004 Malcolm
4,953,743	A	9/1990	Dart et al.		D489,260 S 5/2004 Smith et al.
5,050,759	A	9/1991	Marble		6,732,875 B2 5/2004 Smith et al.
D323,116	S	1/1992	Dart et al.		D493,718 S 8/2004 Durdon
5,090,584	A	2/1992	Roberts et al.		6,811,049 B2 11/2004 Lukacevic
5,111,961	A	5/1992	Van Melle		6,824,003 B1 11/2004 Wong
5,165,579	A *	11/1992	Lund	222/192	6,874,649 B2 4/2005 Clarke et al.
5,183,172	A	2/1993	Boller		6,886,707 B2 5/2005 Giraud
5,197,624	A	3/1993	Dodaro		6,889,859 B1 5/2005 Leon
5,253,781	A	10/1993	Van Melle et al.		6,889,860 B2 5/2005 Mazzarolo
5,335,812	A	8/1994	Boller		D522,860 S * 6/2006 LaFortune D9/449
5,348,181	A	9/1994	Smith et al.		2002/0027139 A1 3/2002 O'Neill
					2002/0038803 A1 4/2002 Malcolm
					2003/0024929 A1 2/2003 Smith et al.

US D544,793 S

Page 3

2003/0024930	A1	2/2003	Smith et al.	2004/0035868	A1	2/2004	Smith et al.
2003/0052127	A1	3/2003	Mazzarolo	2004/0089662	A1	5/2004	Smith et al.
2003/0089714	A1	5/2003	Dart et al.	2004/0118847	A1	6/2004	Giraud
2003/0089726	A1	5/2003	Mazzarolo	2004/0195239	A1	10/2004	Rush et al.
2003/0102312	A1	6/2003	Horner	2005/0092748	A1	5/2005	Durdon
2003/0116568	A1	6/2003	Clarke et al.	2005/0092749	A1	5/2005	Durdon
2003/0178426	A1	9/2003	Freek et al.	2006/0226147	A1*	10/2006	Phillips 220/254.2
2003/0192890	A1	10/2003	Mazzarolo	2006/0226148	A1*	10/2006	Hundley et al. 220/254.3
2003/0197012	A1	10/2003	Smith et al.				
2003/0218017	A1	11/2003	Schmidtner et al.				

* cited by examiner

FIG. 1

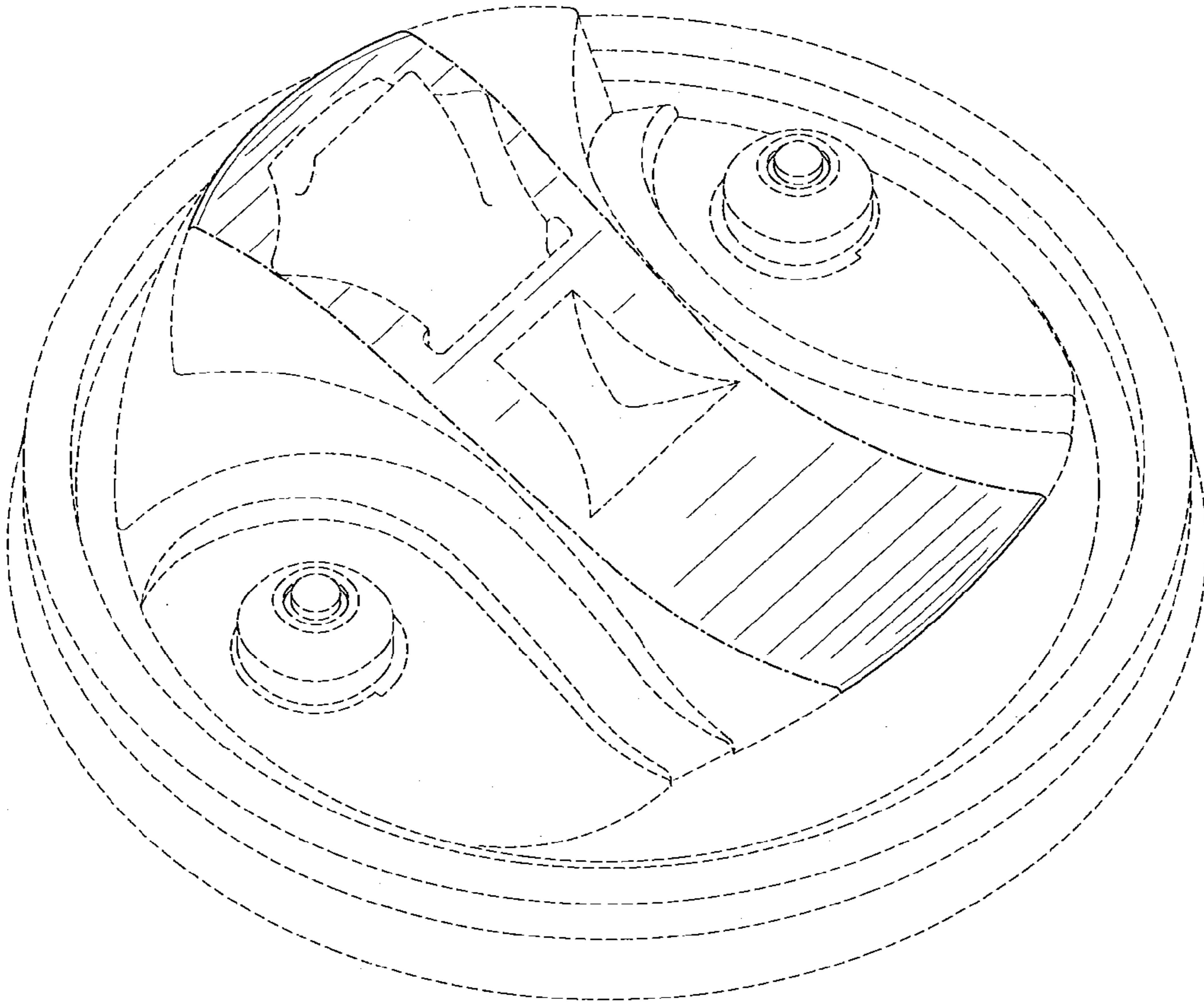


FIG. 2

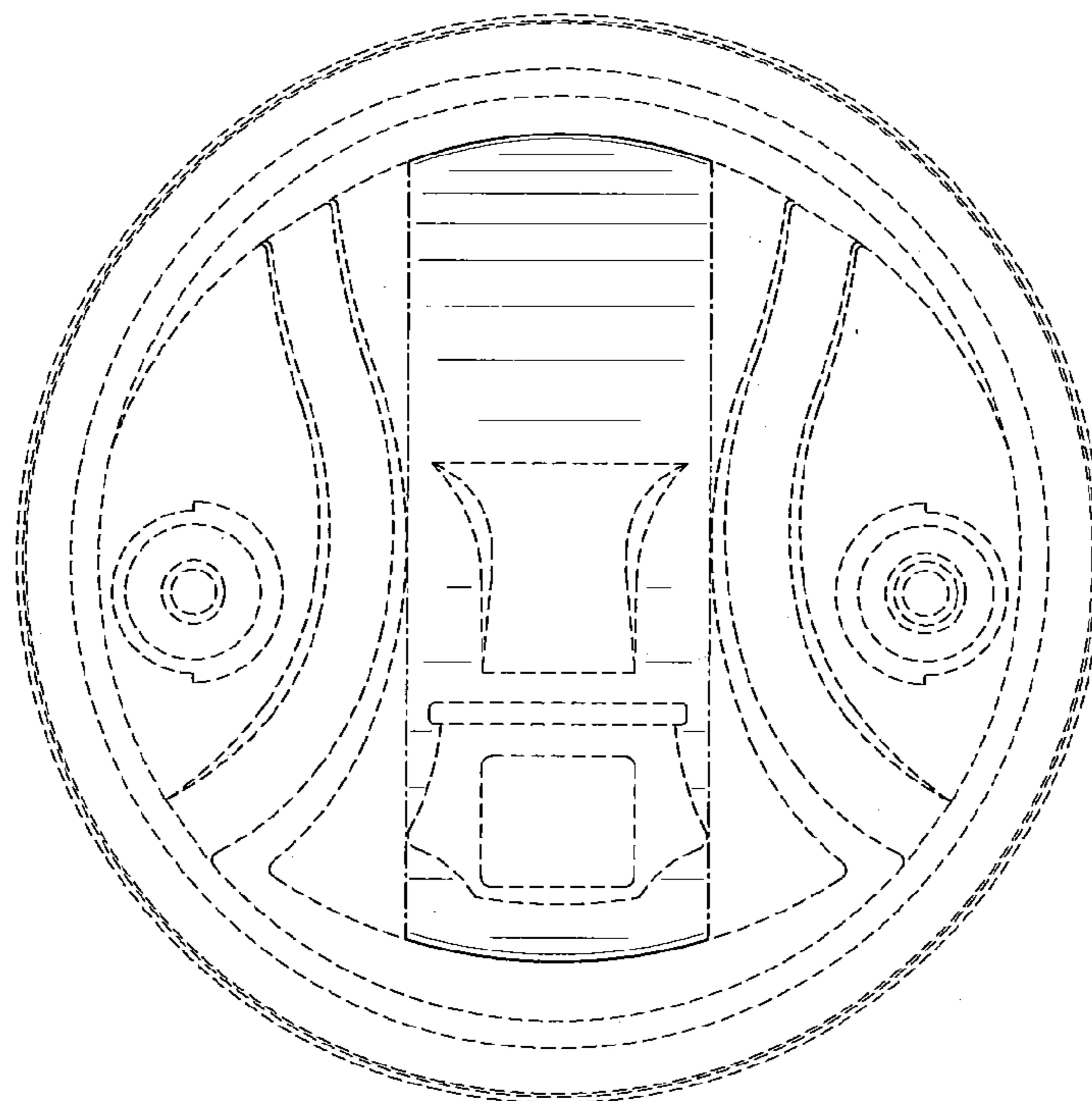


FIG. 3

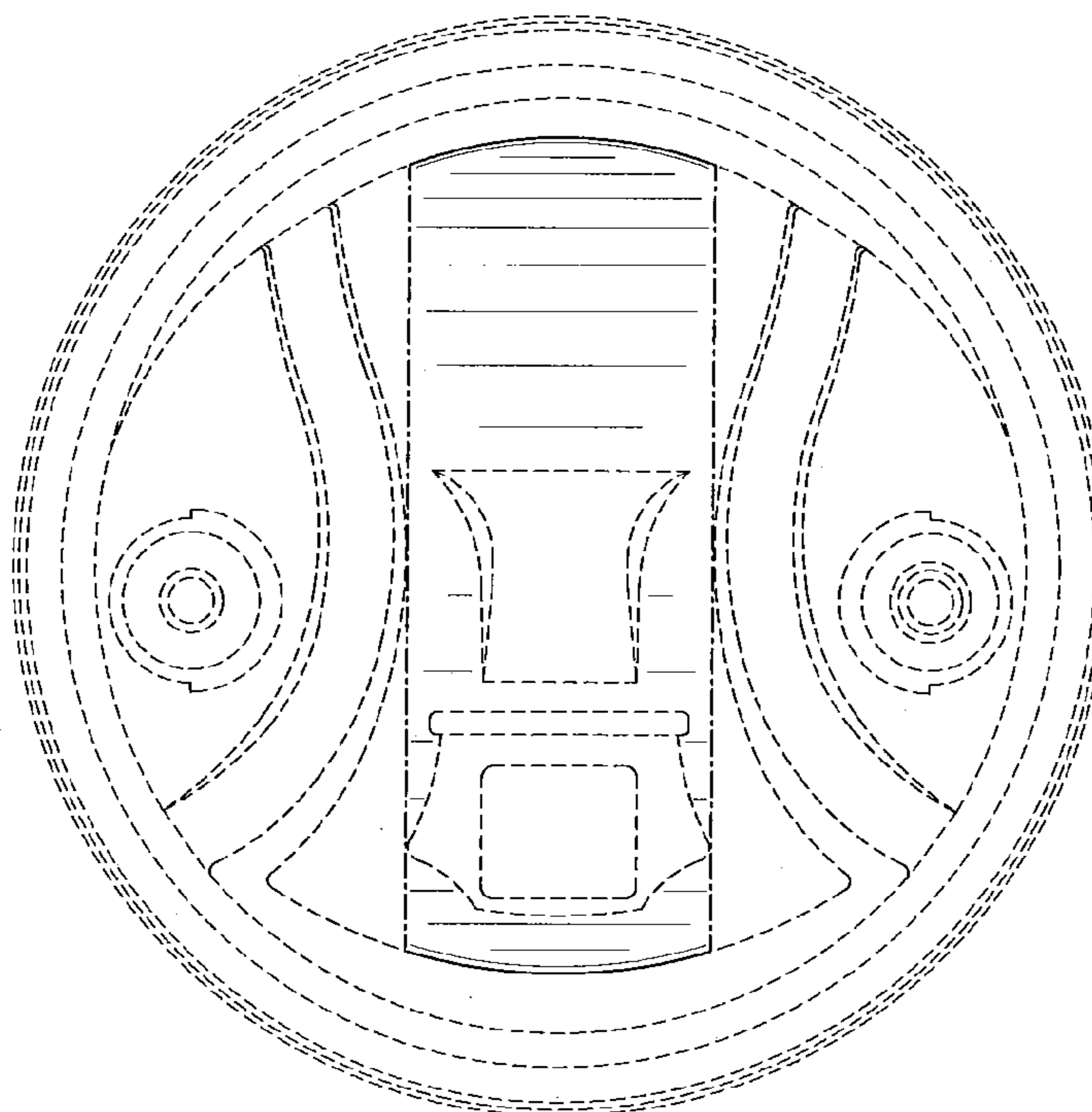


FIG. 4

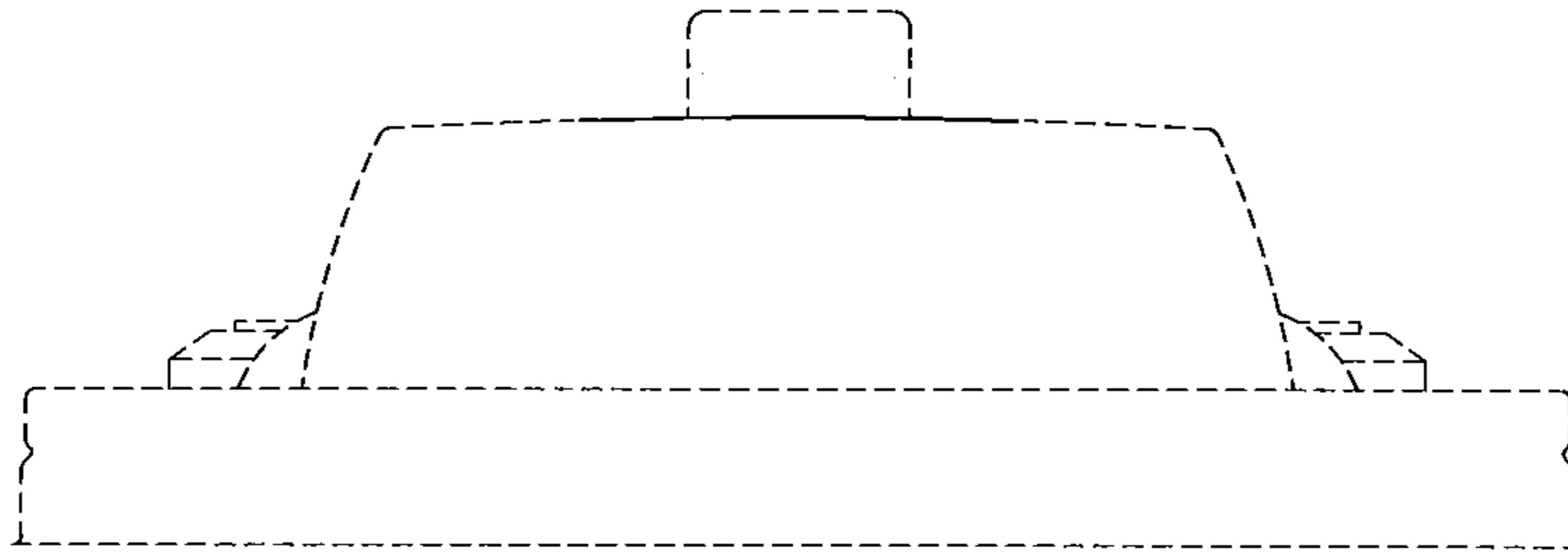


FIG. 5

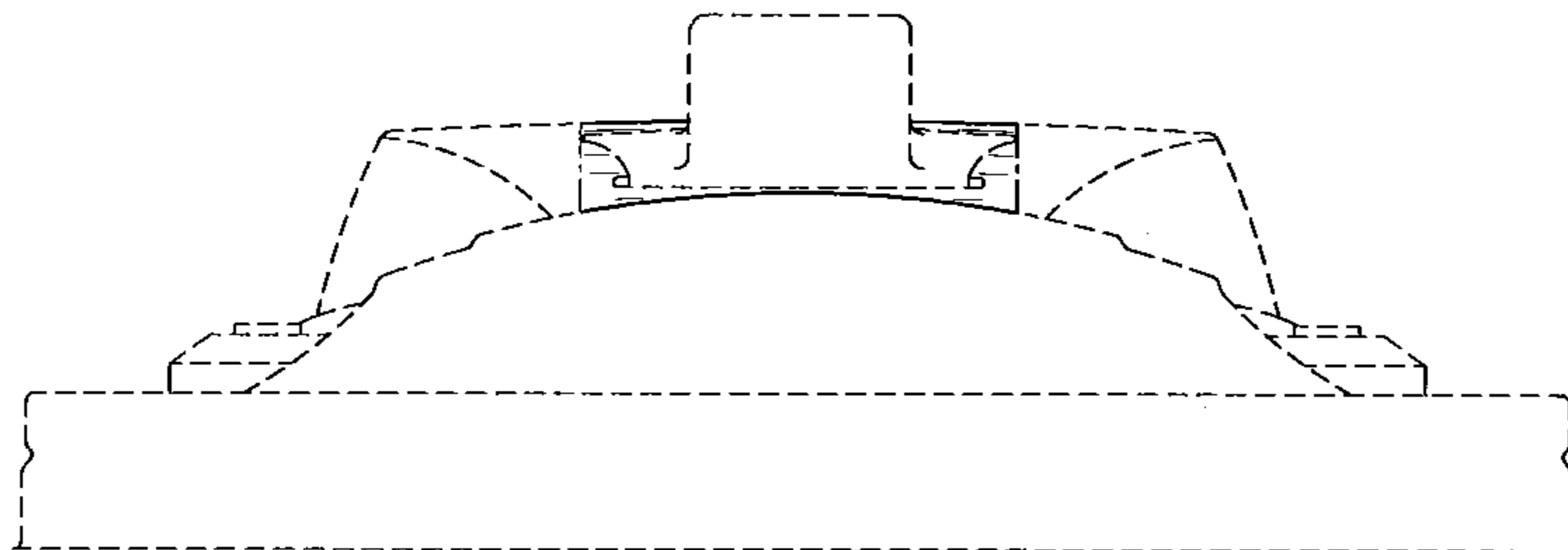


FIG. 6

