



US00D544791S

(12) **United States Design Patent**
Buchman

(10) **Patent No.:** **US D544,791 S**
(45) **Date of Patent:** **** Jun. 19, 2007**

(54) **SLIDER DEVICE FOR A RESEALABLE CLOSURE FOR A FLEXIBLE CONTAINER**

(75) Inventor: **James E. Buchman**, Hortonville, WI (US)

(73) Assignee: **Reynolds Consumer Products, Inc.**, Richmond, VA (US)

(**) Term: **14 Years**

(21) Appl. No.: **29/231,434**

(22) Filed: **Jun. 3, 2005**

(51) **LOC (8) Cl.** **09-07**

(52) **U.S. Cl.** **D9/434**

(58) **Field of Classification Search** D9/435,
D9/434; D11/221; 24/433, 427-431, 421,
24/419, 415-417, 385, 381

See application file for complete search history.

(56) **References Cited**

U.S. PATENT DOCUMENTS

D479,467	S	*	9/2003	Buchman	D9/434
D480,988	S	*	10/2003	Buchman	D11/221
D490,706	S	*	6/2004	Smith et al.	D9/434
D511,480	S	*	11/2005	Buchman	D11/221
D512,909	S	*	12/2005	Buchman	D9/434
2003/0228075	A1	*	12/2003	Buchman	383/64
2006/0029302	A1	*	2/2006	Buchman	383/64
2006/0171610	A1	*	8/2006	Buchman et al.	383/64

* cited by examiner

Primary Examiner—Robert M. Spear
Assistant Examiner—Susan Bennett Hattan

(74) *Attorney, Agent, or Firm*—Merchant & Gould P.C.

(57) **CLAIM**

The ornamental design for a slider device for a resealable closure for a flexible container, as shown and described.

DESCRIPTION

FIG. 1 is a top isometric view of a slider device for a resealable closure for a flexible container according to the new design.

FIG. 2 is a bottom isometric view of a slider device for a resealable closure for a flexible container according to the new design.

FIG. 3 is a right side elevational view of a slider device for a resealable closure for a flexible container according to the new design, as shown in FIG. 1.

FIG. 4 is a left side elevational view of a slider device for a resealable closure for a flexible container according to the new design, as shown in FIG. 1.

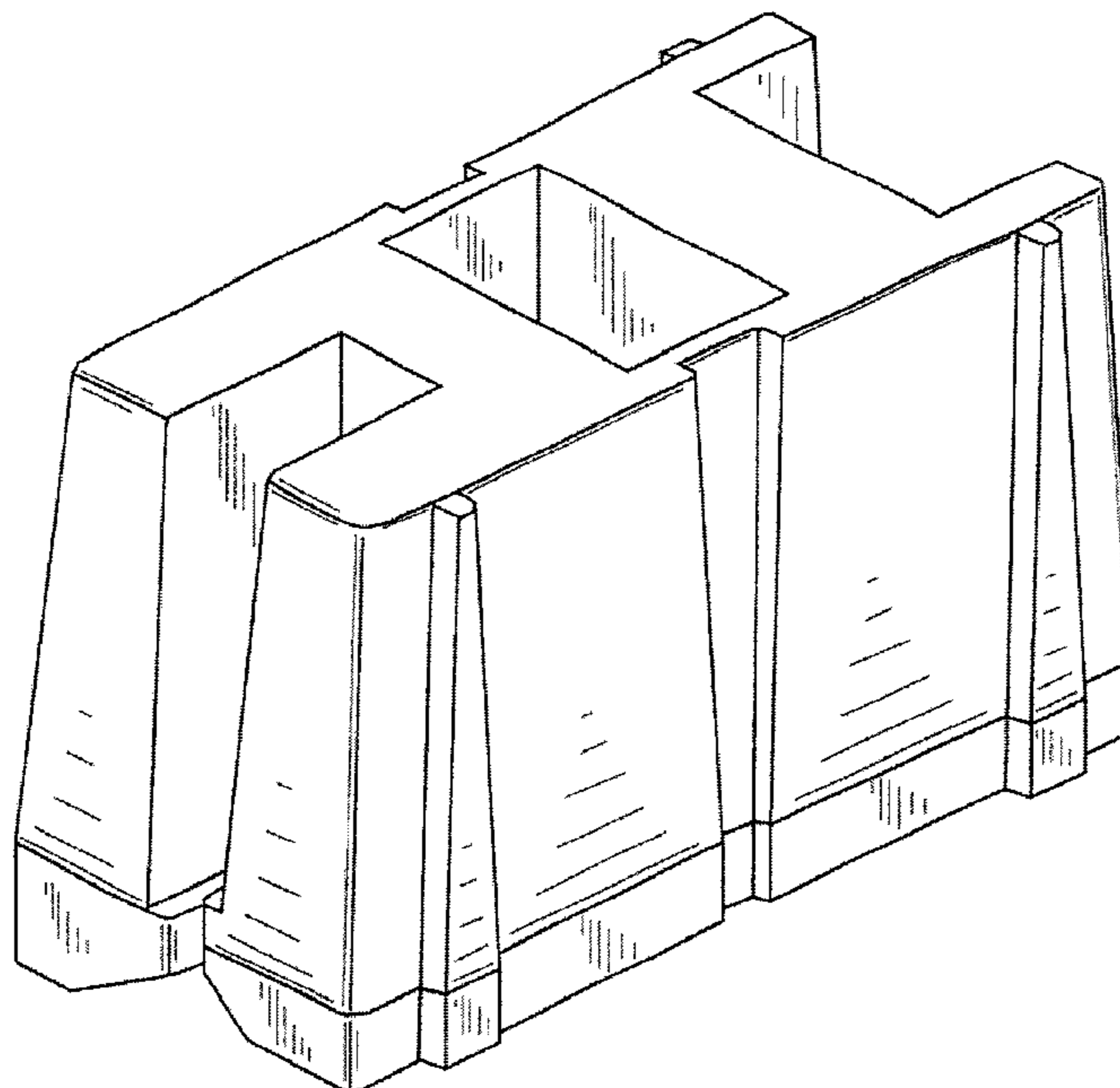
FIG. 5 is a front end elevational view of a slider device for a resealable closure for a flexible container according to the new design, as shown in FIG. 1.

FIG. 6 is a rear end elevational view of a slider device for a resealable closure for a flexible container according to the new design, as shown in FIG. 1.

FIG. 7 is a top plan view of a slider device for a resealable closure for a flexible container according to the new design; and,

FIG. 8 is bottom plan view of a slider device for a resealable closure for a flexible container according to the new design.

1 Claim, 4 Drawing Sheets



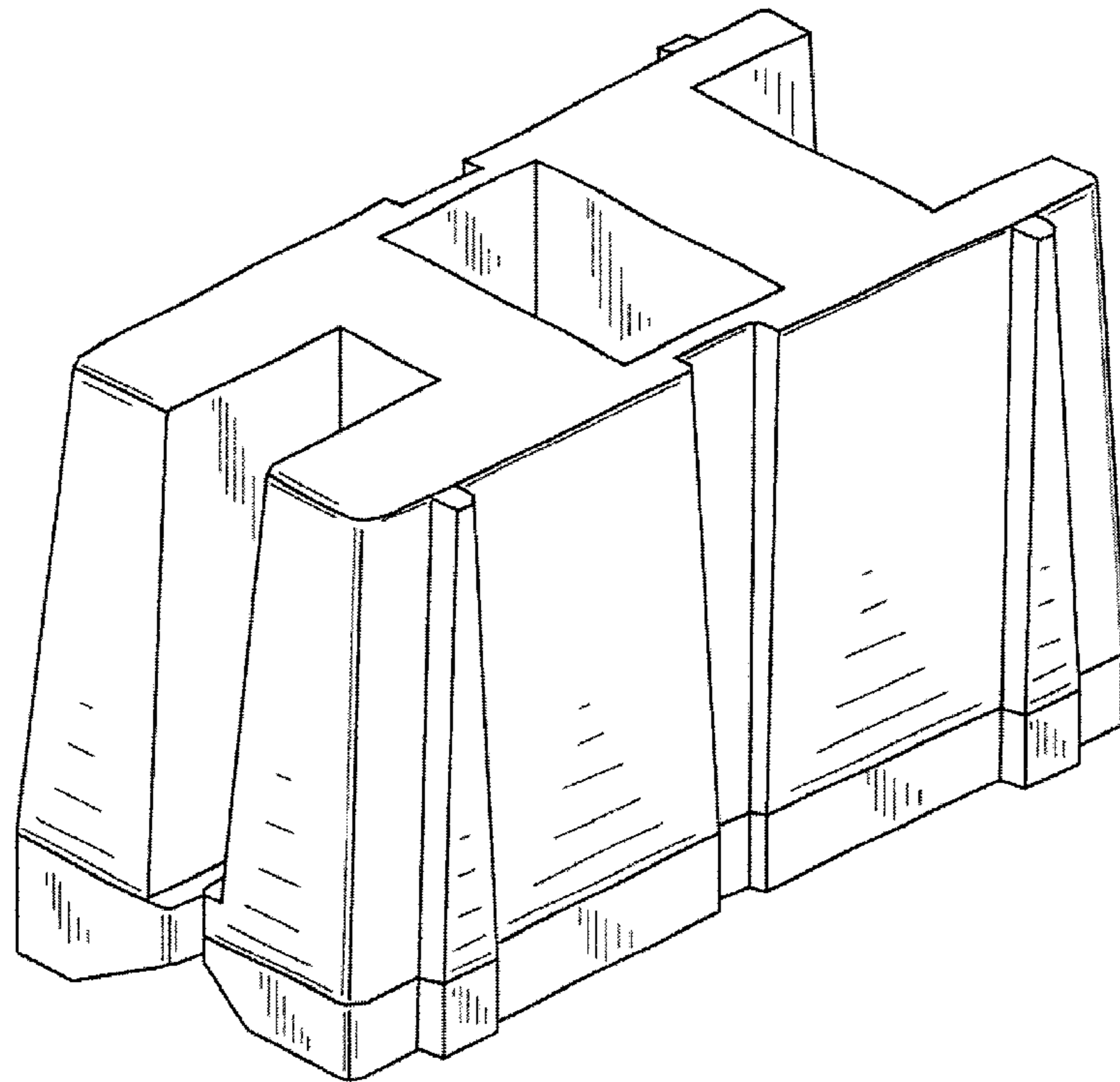


FIG. 1

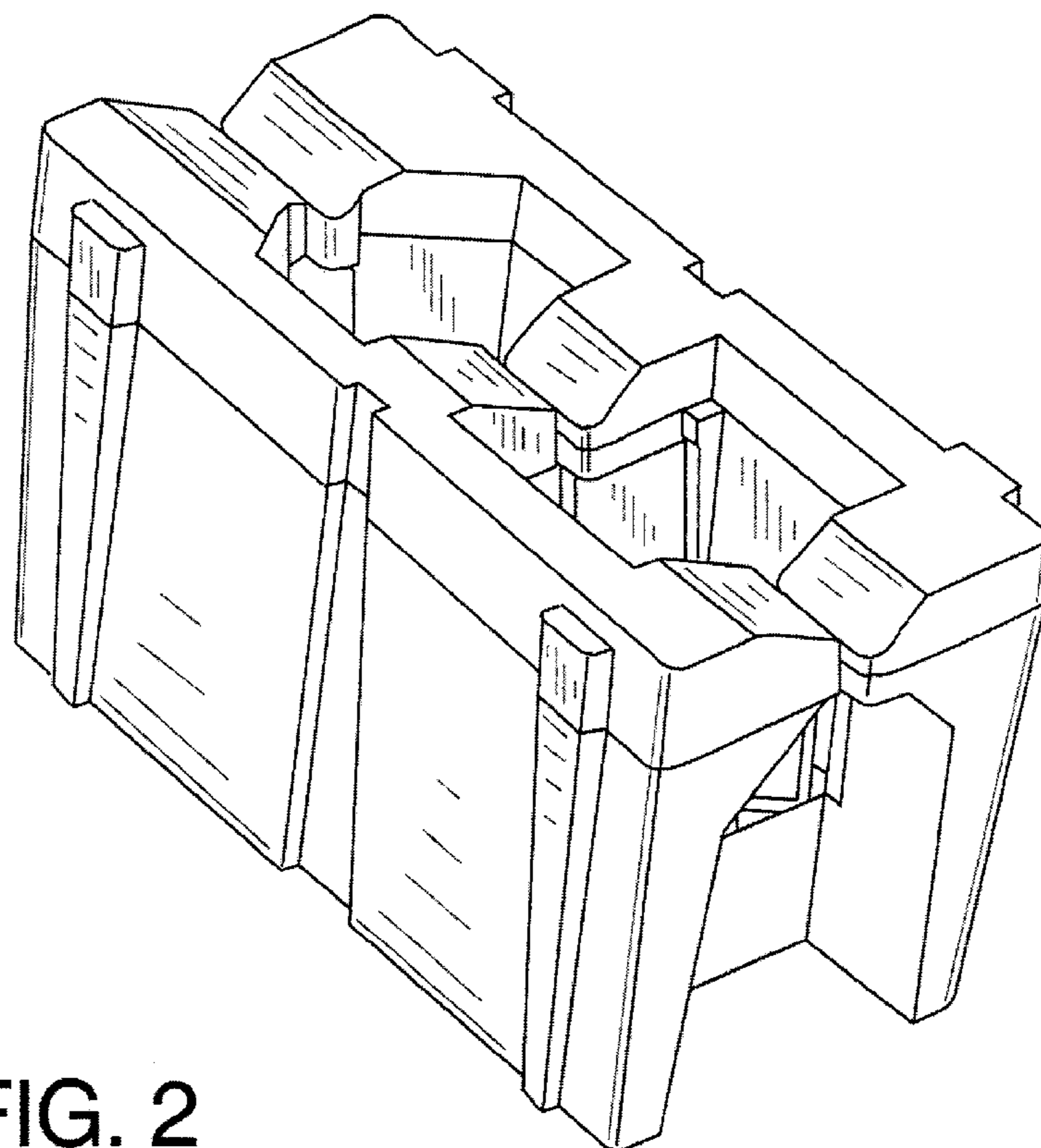


FIG. 2

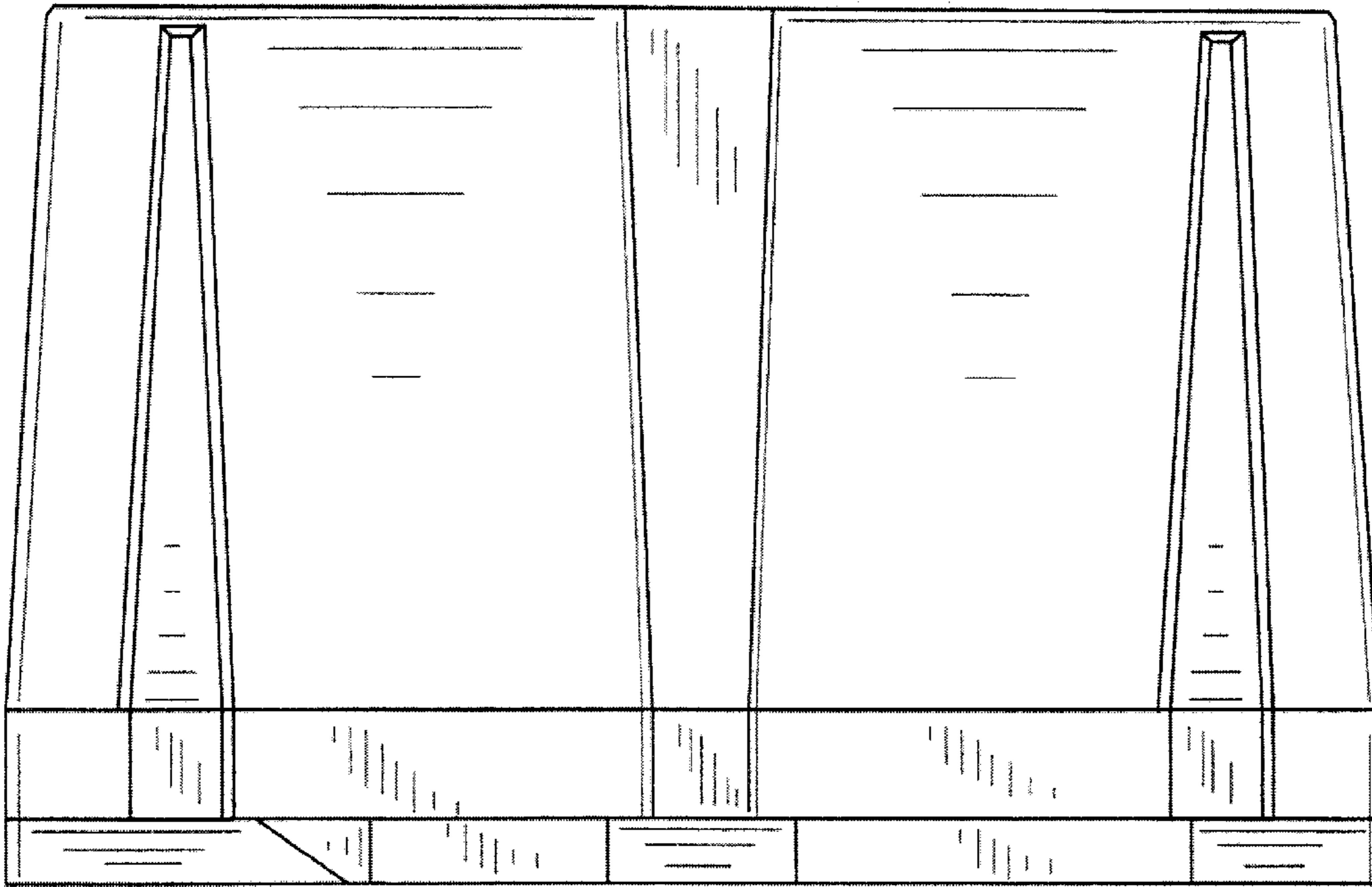


FIG. 3

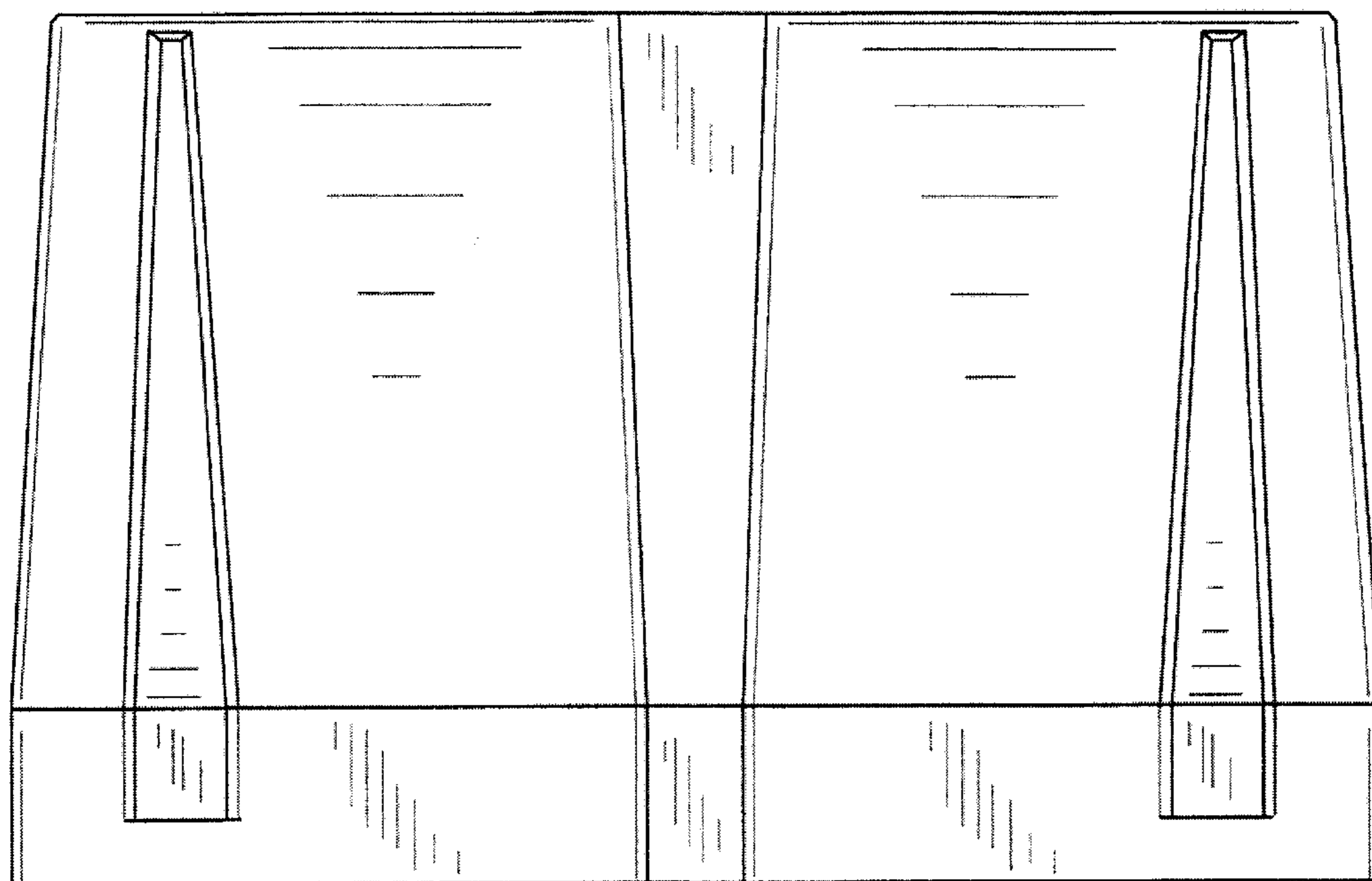


FIG. 4

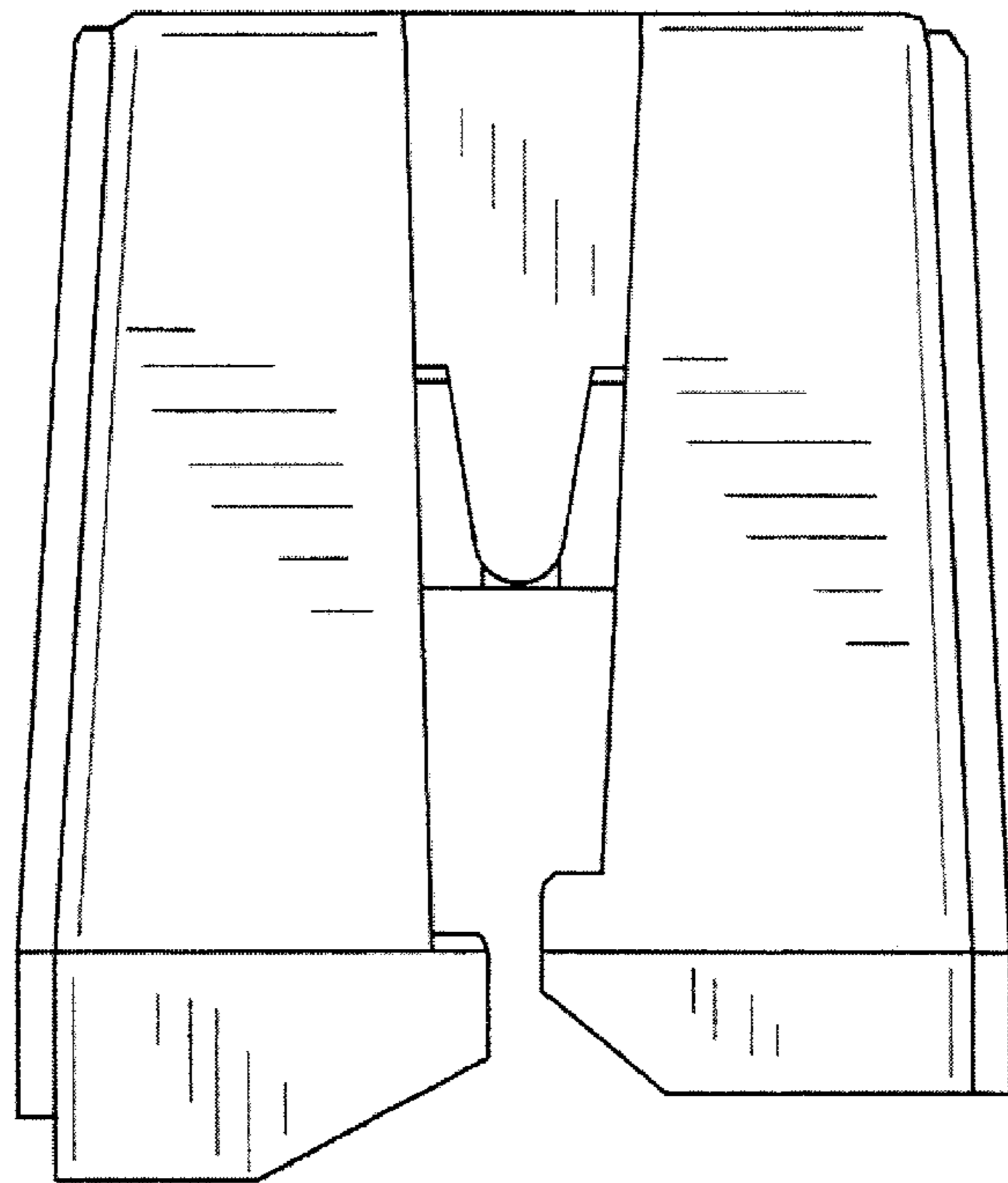


FIG. 5

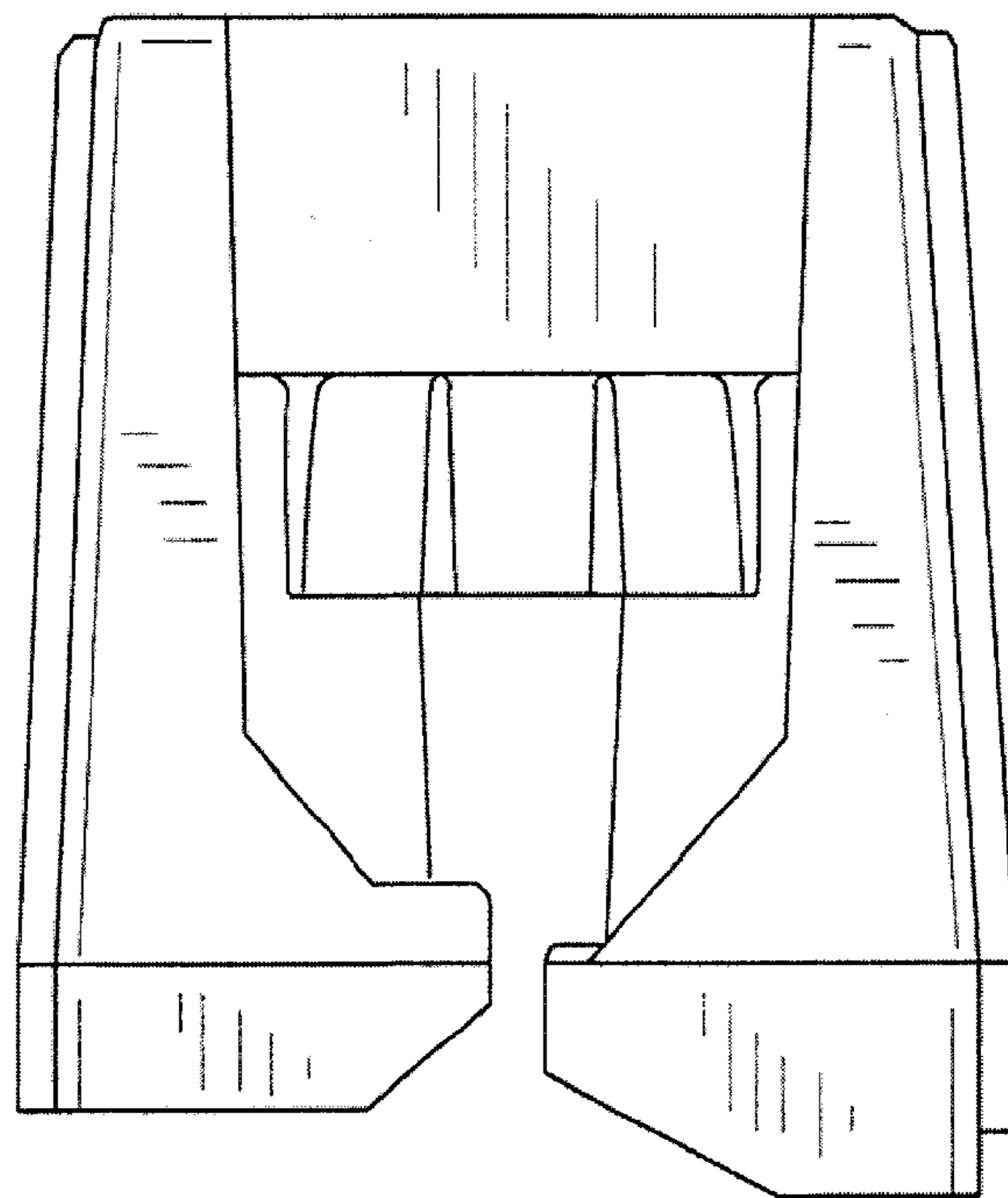


FIG. 6

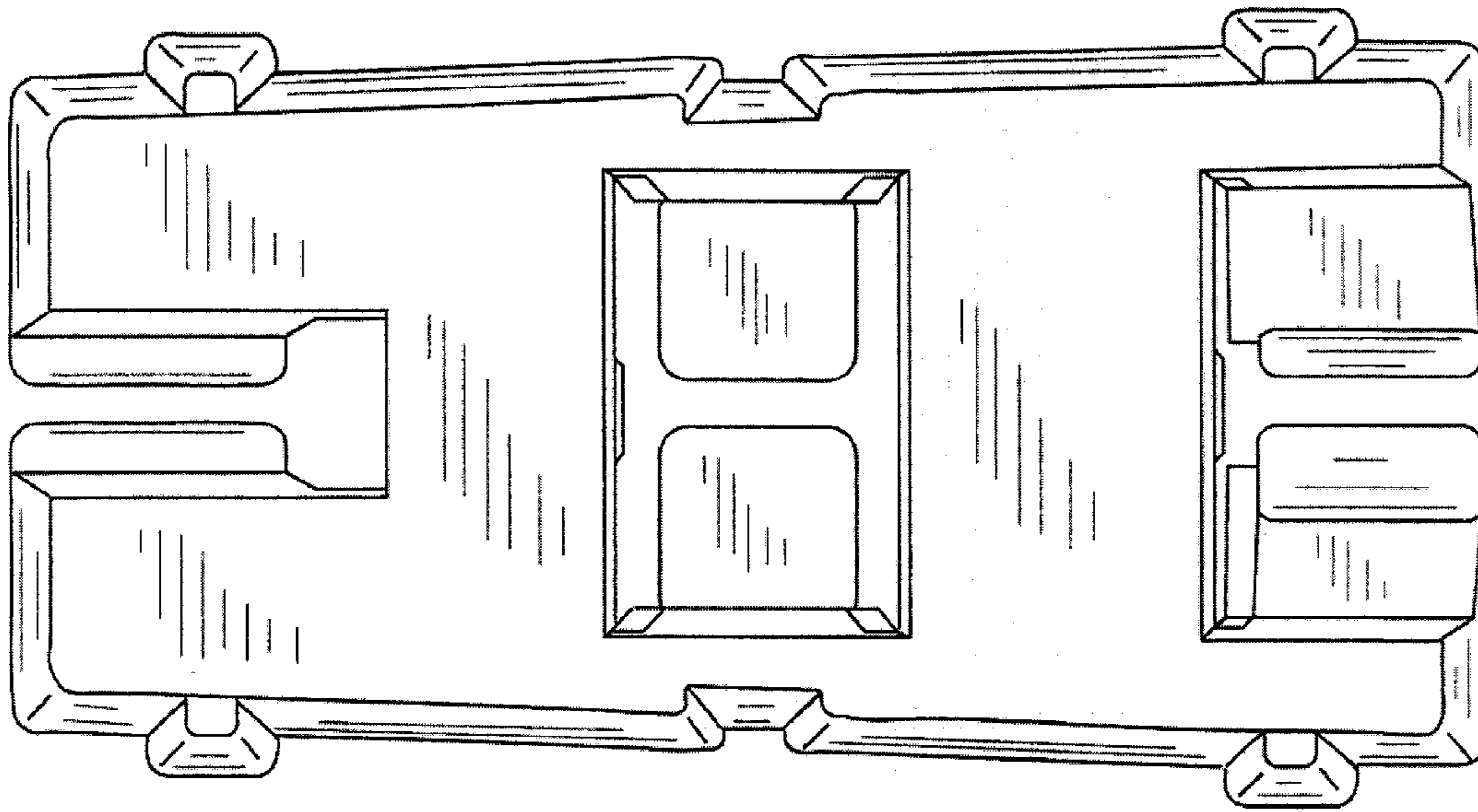


FIG. 7

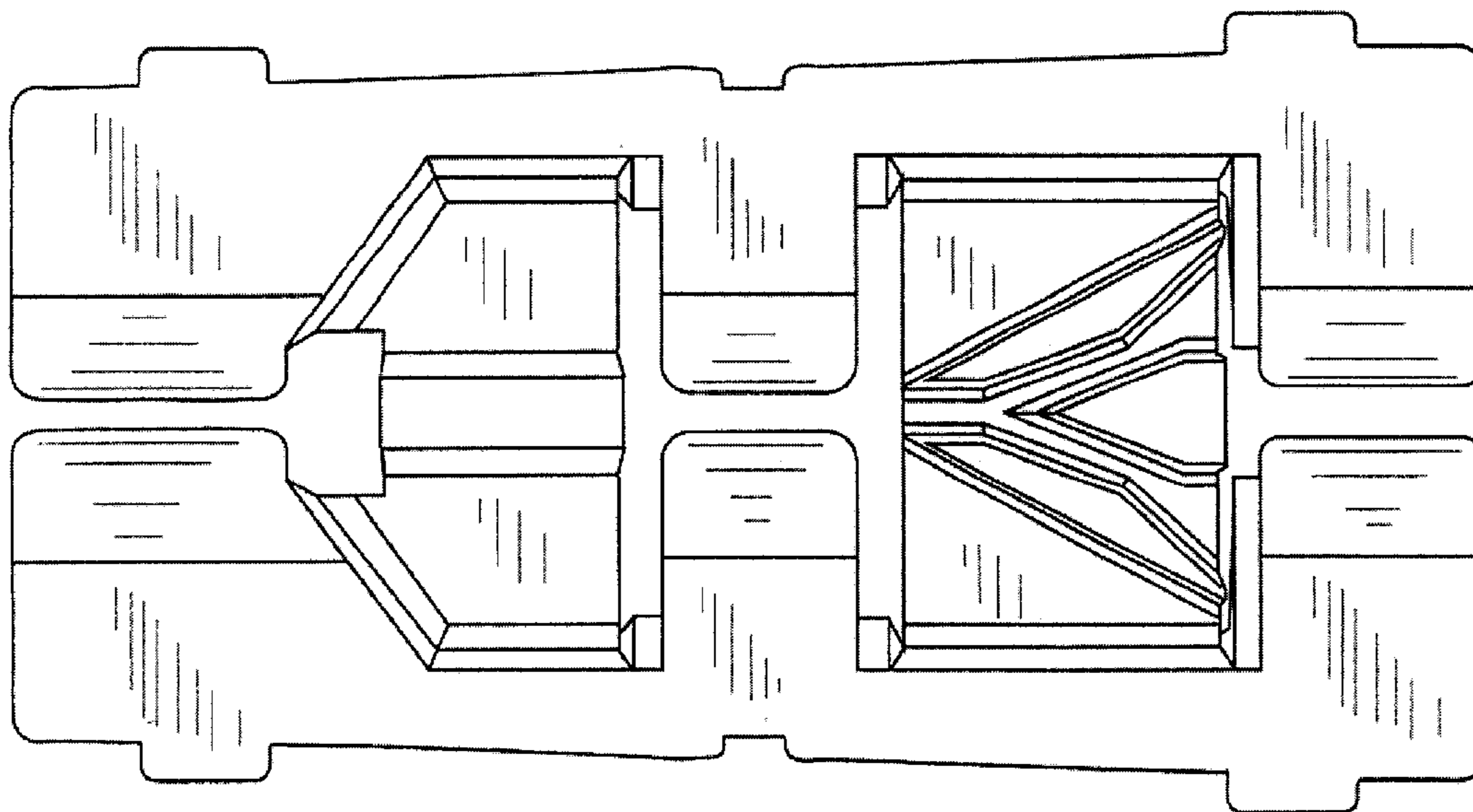


FIG. 8