



US00D544790S

(12) **United States Design Patent**
Bouveret et al.

(10) **Patent No.:** **US D544,790 S**
(45) **Date of Patent:** **** Jun. 19, 2007**

(54) **OVAL CONTAINER**

D418,720 S * 1/2000 Lillelund et al. D7/602

(75) Inventors: **Nicolas Bouveret**, Mirabel (CA);
Jean-Pierre Lacroix, Bois d'Amont (FR)

* cited by examiner

Primary Examiner—Prabhakar Deshmukh

Assistant Examiner—Derrick Holland

(73) Assignee: **North America I.M.L. Containers**,
St-Placide (CA)

(74) *Attorney, Agent, or Firm*—Ogilvy Renault LLP

(**) Term: **14 Years**

(57) **CLAIM**

(21) Appl. No.: **29/247,451**

The ornamental design for an oval container, as shown and described.

(22) Filed: **Jun. 20, 2006**

DESCRIPTION

(51) **LOC (8) Cl.** **09-03**

FIG. 1 is a top perspective view of the oval container;

(52) **U.S. Cl.** **D9/428**; D9/424

FIG. 2 is a bottom perspective view thereof;

(58) **Field of Classification Search** D9/428,
D9/414, 424, 425, 429; D7/602; 206/504,
206/505; 220/380, 574, 669, 675; 229/939,
229/940

FIG. 3 is a top plan view thereof;

FIG. 4 is a bottom plan view thereof;

See application file for complete search history.

FIG. 5 is an end elevation view thereof;

FIG. 6 is another end elevation view thereof;

FIG. 7 is a side elevation view thereof; and,

FIG. 8 is another side elevation view thereof.

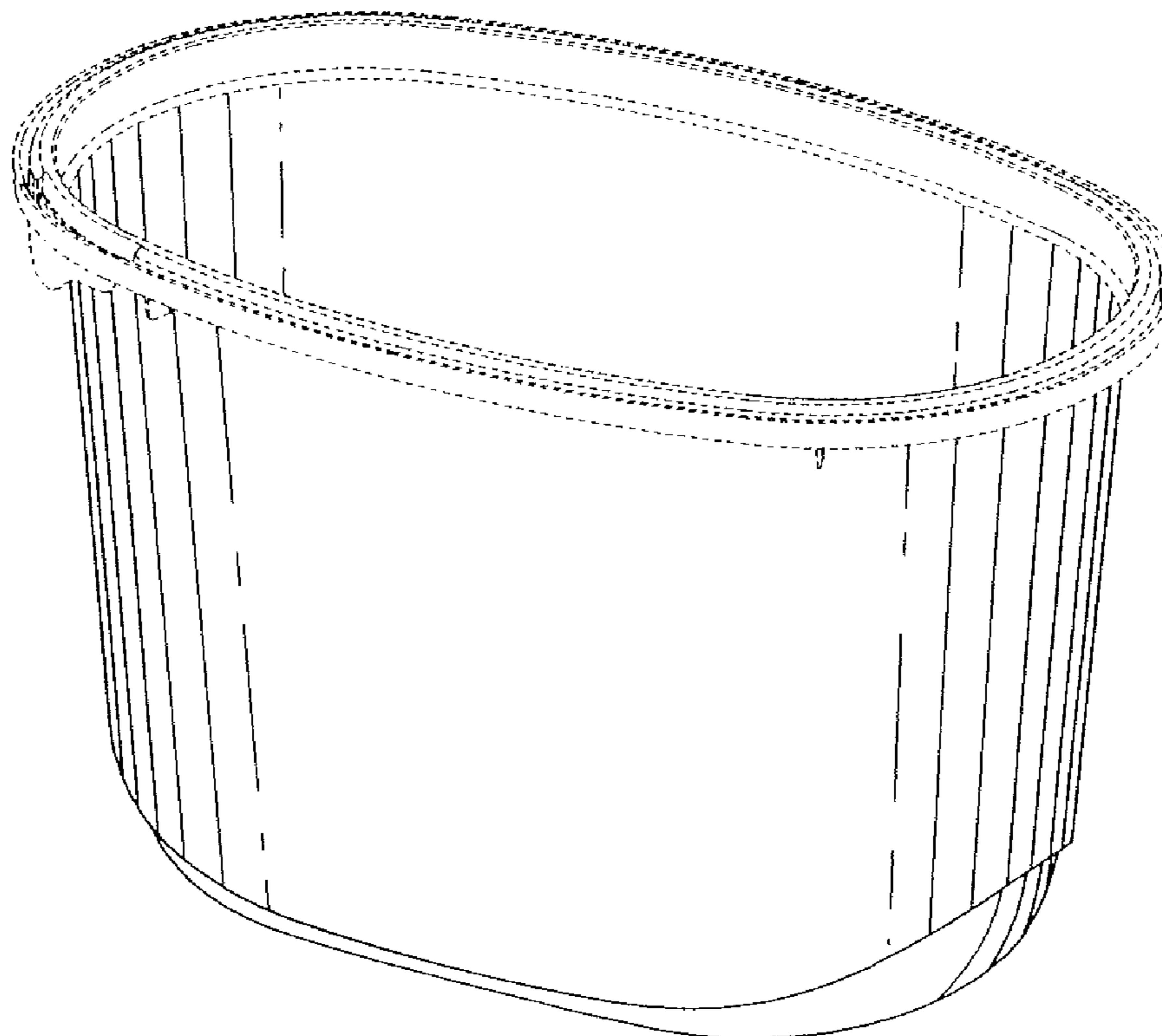
(56) **References Cited**

The broken lines showing a rim in each figure are for illustrative purposes only and form no part of the claimed design.

U.S. PATENT DOCUMENTS

D235,302 S * 6/1975 Lanigan D7/584
4,046,310 A * 9/1977 Gustafsson 206/503
D253,168 S * 10/1979 Nilsson et al. D9/425
D312,968 S * 12/1990 Wolff D9/431
D319,978 S * 9/1991 Wolff D9/431

1 Claim, 4 Drawing Sheets



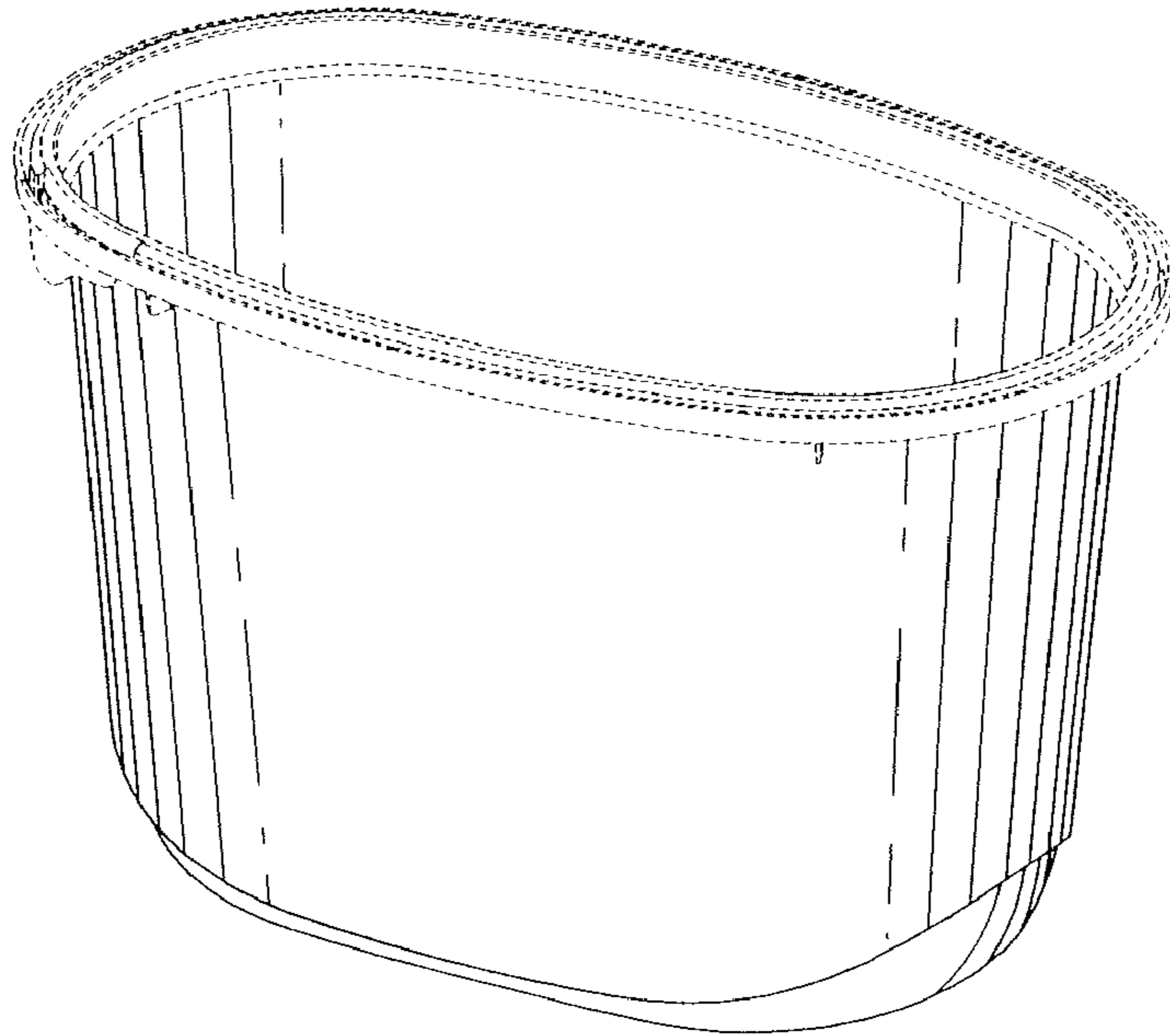


FIG. 1

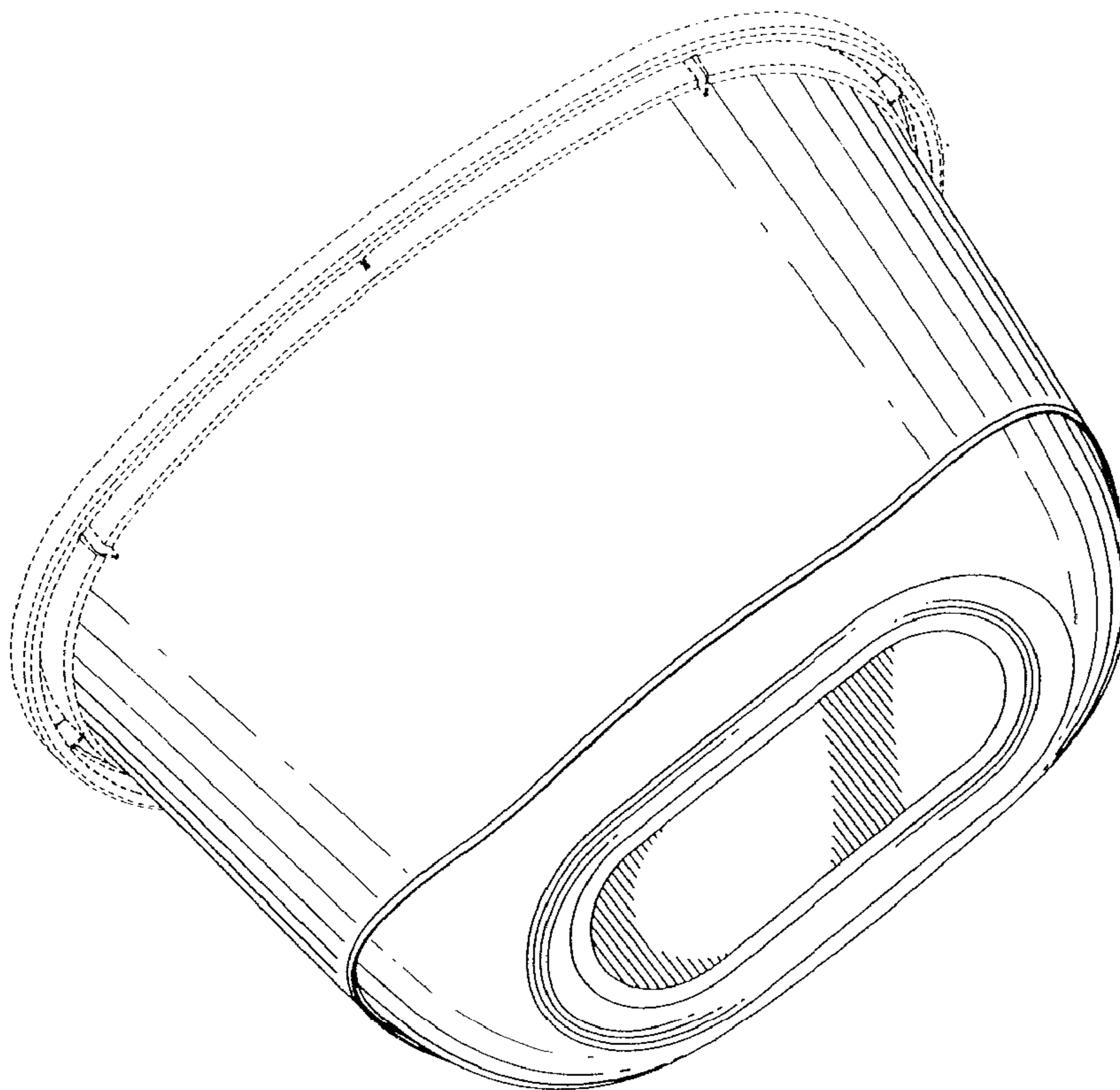


FIG. 2

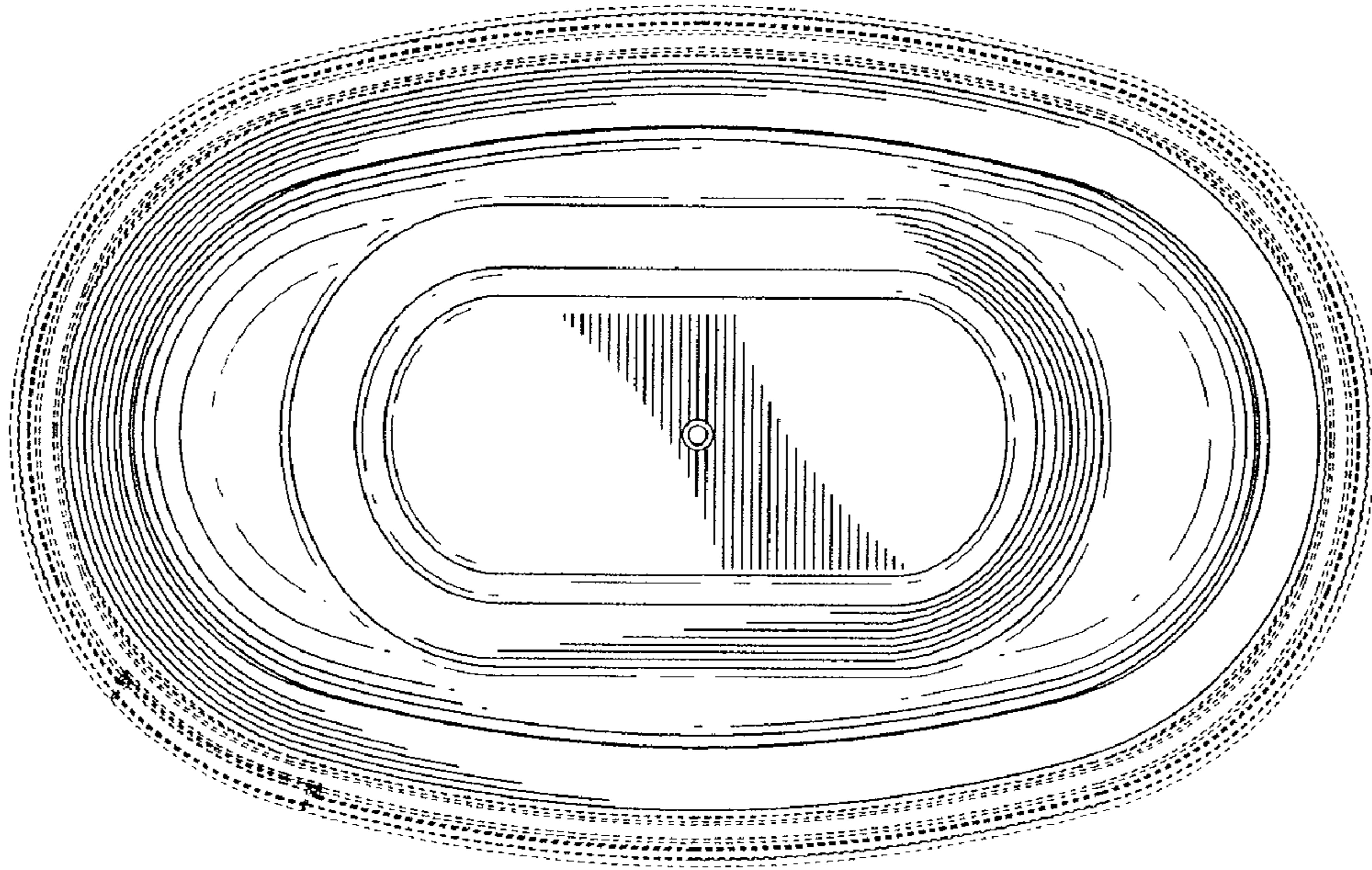


FIG. 3

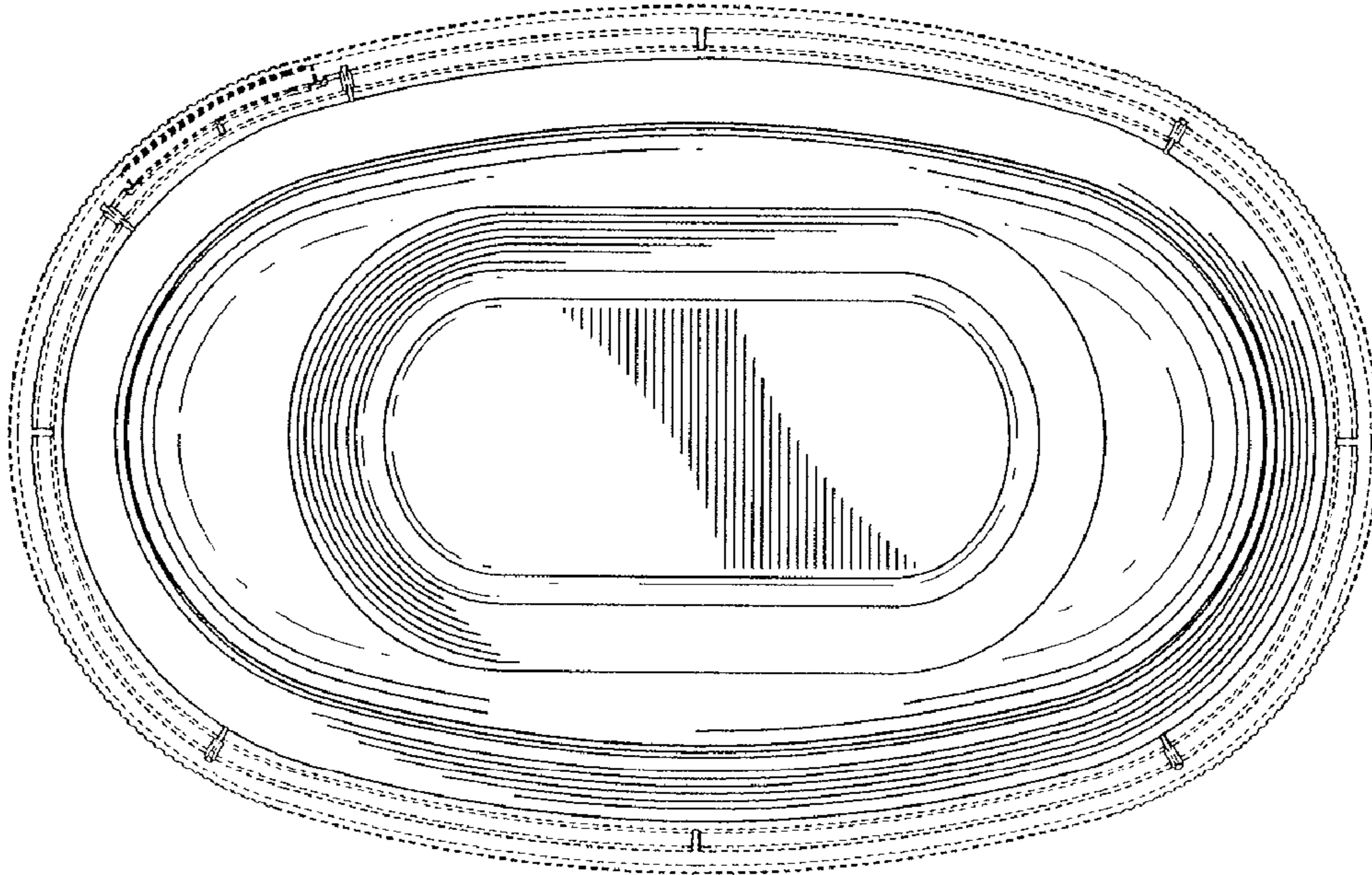


FIG. 4

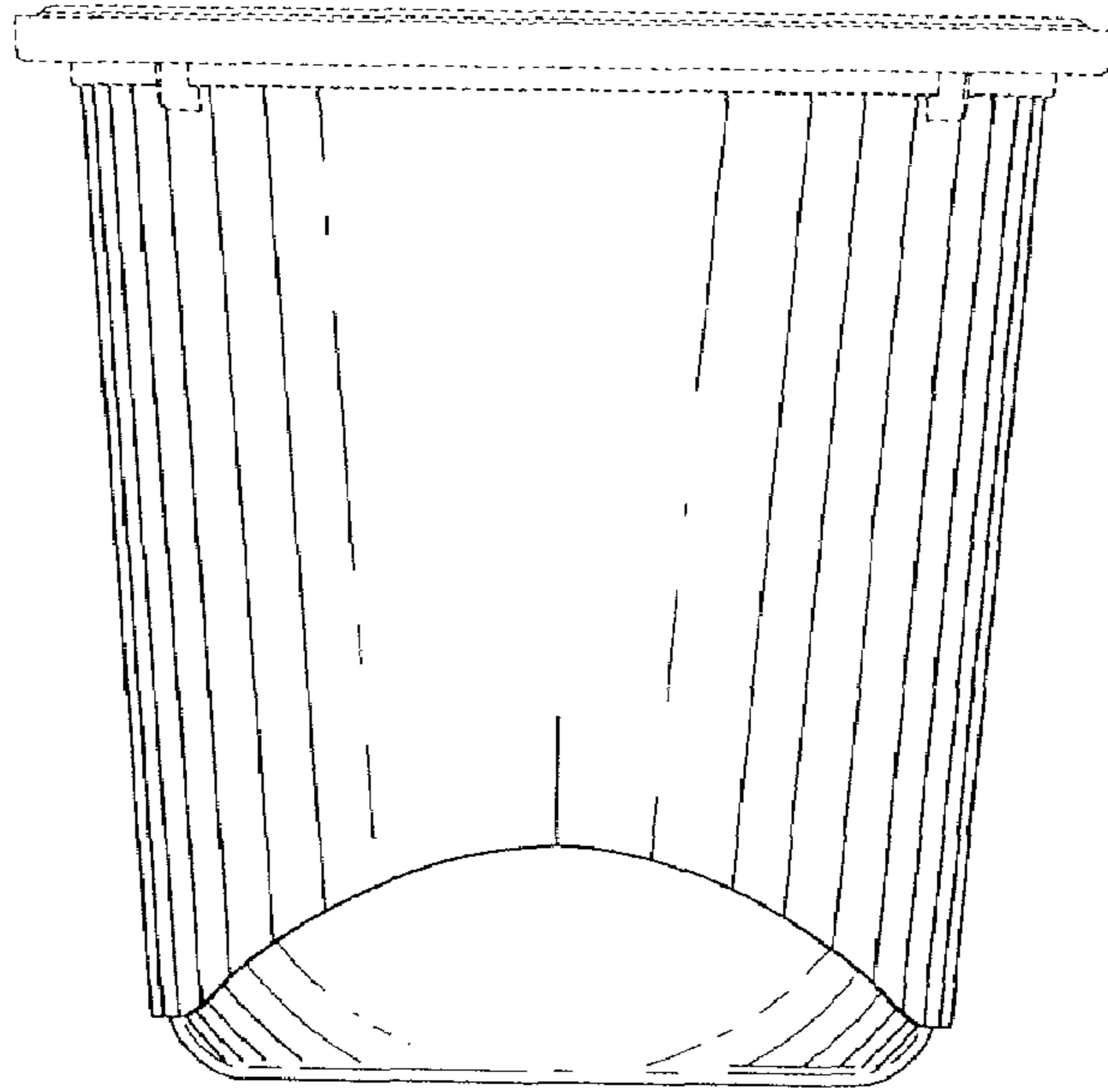


FIG. 5

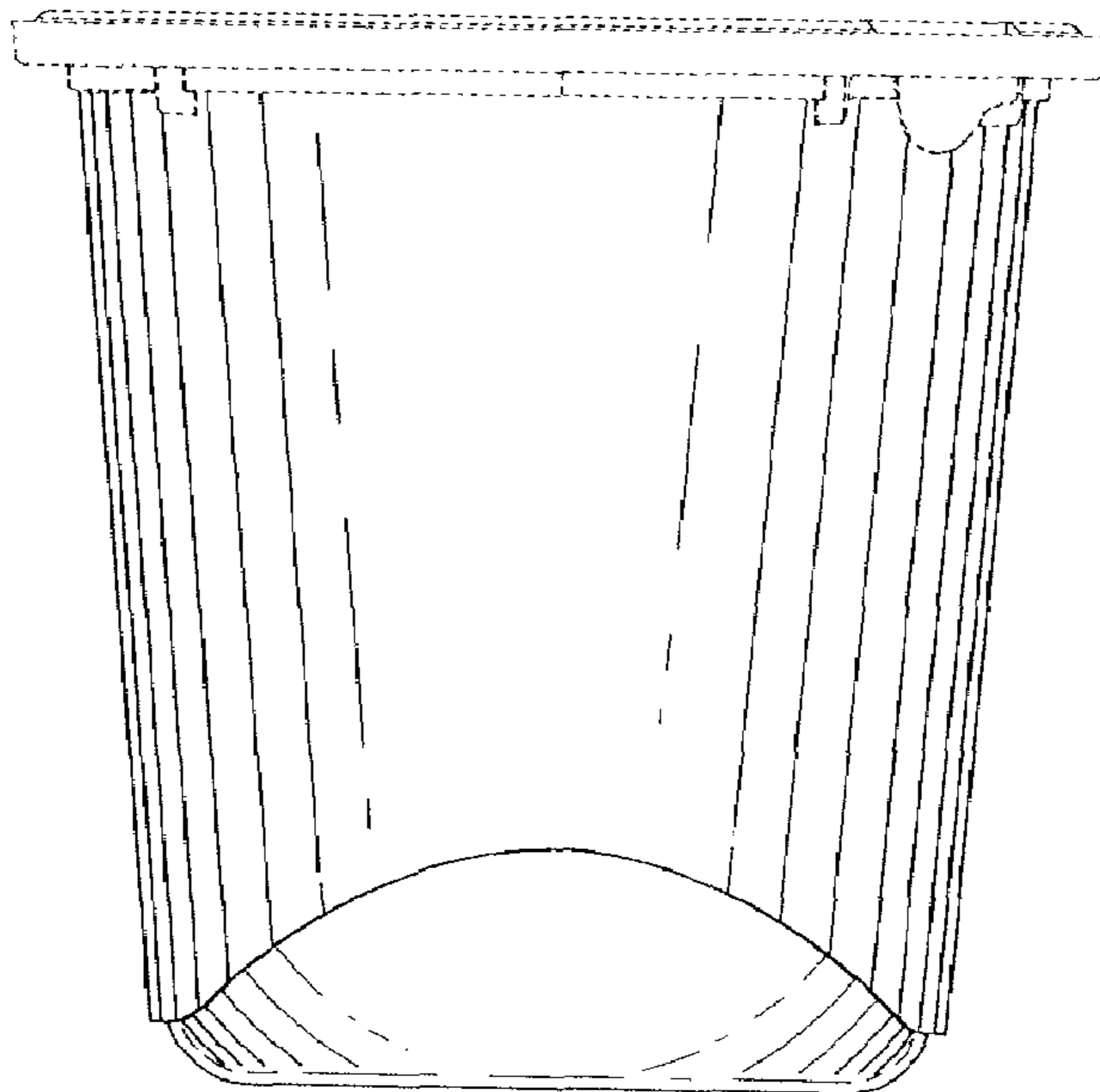


FIG. 6

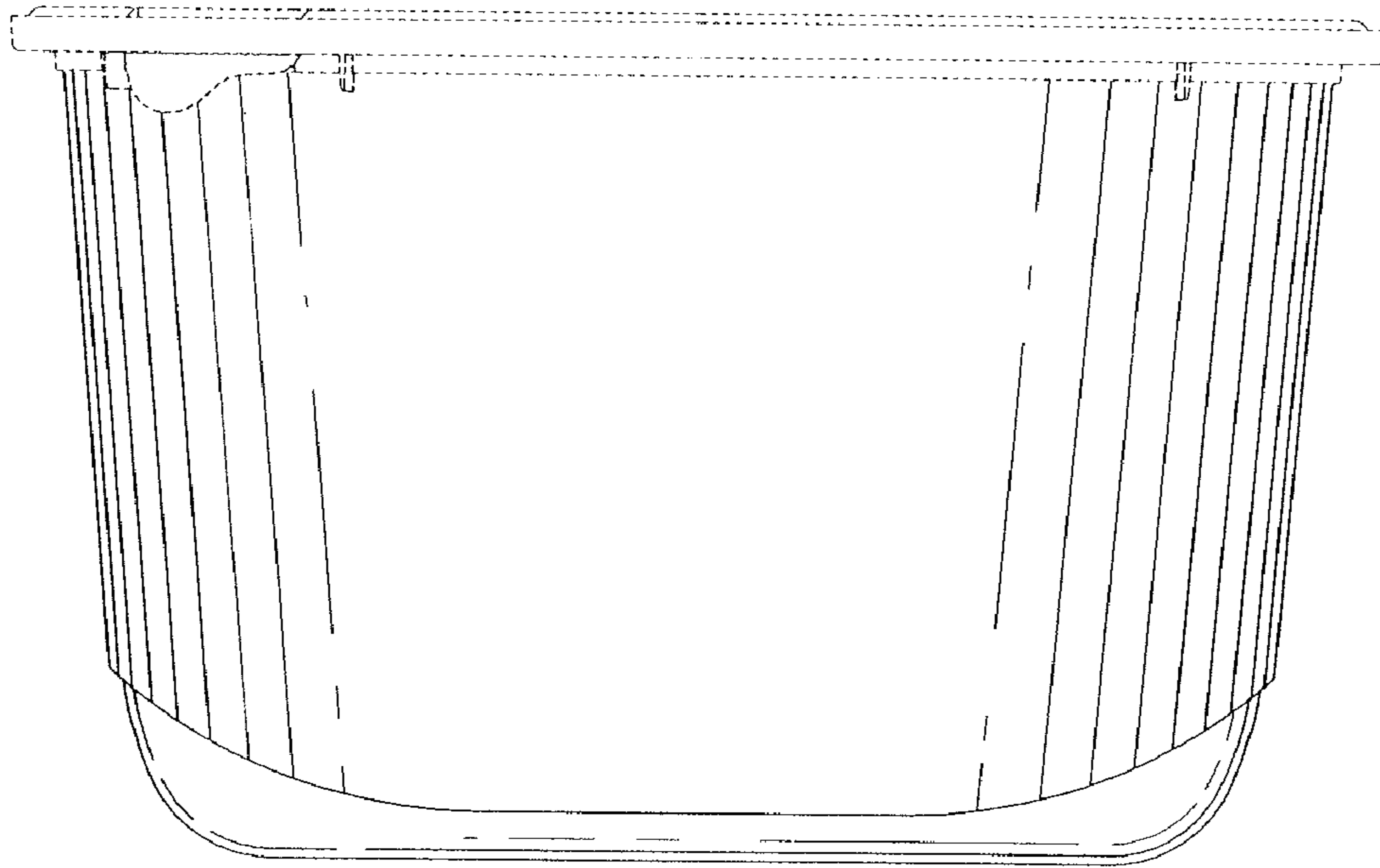


FIG. 7

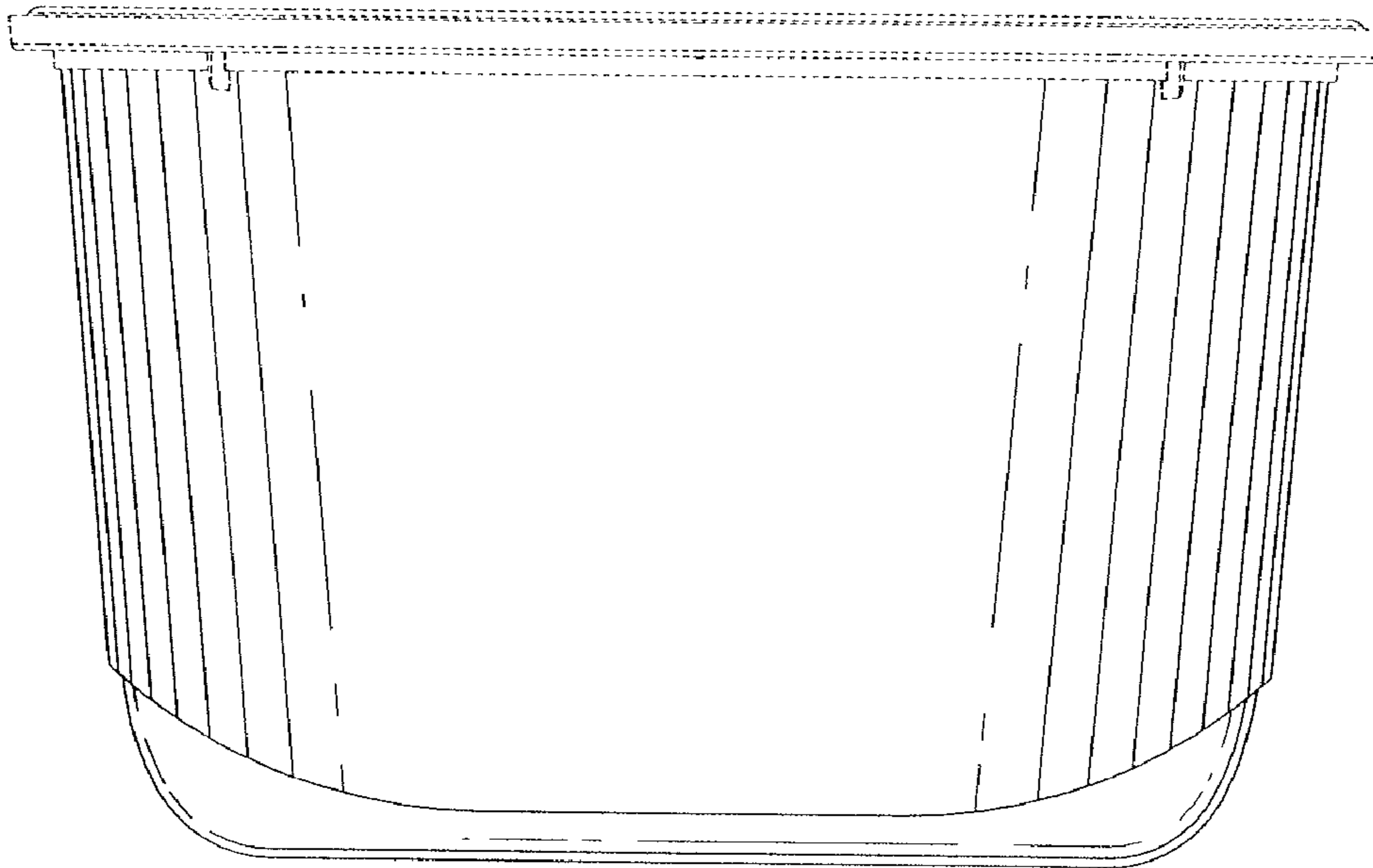


FIG. 8