

US00D544785S

(12) **United States Design Patent**
Janssen

(10) **Patent No.:** **US D544,785 S**

(45) **Date of Patent:** **** Jun. 19, 2007**

(54) **TOOL FREE HANGER**

(76) **Inventor:** **Peter G. Janssen**, 1820 Spring Rose Rd., Verona, WI (US) 53593

(**) **Term:** **14 Years**

(21) **Appl. No.:** **29/248,073**

(22) **Filed:** **Jul. 27, 2006**

Related U.S. Application Data

(63) Continuation of application No. 10/700,179, filed on Nov. 3, 2003, which is a continuation of application No. 10/268,189, filed on Oct. 10, 2002, now Pat. No. 6,641,107.

(51) **LOC (8) Cl.** **08-05**

(52) **U.S. Cl.** **D8/373**

(58) **Field of Classification Search** D8/373;
248/493, 475.1, 220.41, 220.42, 220.43
See application file for complete search history.

(56) **References Cited**

U.S. PATENT DOCUMENTS

241,991 A	5/1881	Jones	
406,623 A	7/1889	Brinkerhoff	
1,185,587 A	5/1916	Bragg et al.	
1,445,372 A	2/1923	Wagner	
1,616,957 A	2/1927	Honigbaum	
1,651,392 A	12/1927	Honigbaum	
2,353,455 A	7/1944	Gisondi	
2,789,783 A	4/1957	Jones	
3,219,302 A	11/1965	Smith	
3,255,987 A	6/1966	Gatch	
3,282,547 A	11/1966	Ables	
3,483,995 A *	12/1969	Larson	248/220.41
3,724,792 A *	4/1973	Thalenfeld	248/220.41
3,880,390 A	4/1975	Niven	

4,161,834 A	7/1979	Hendricks, Jr.	
4,333,625 A	6/1982	Haug	
D272,414 S *	1/1984	Barnes	D8/363
4,452,360 A *	6/1984	Barnes	211/59.1
4,509,713 A	4/1985	Hogg	
4,613,108 A	9/1986	Sundstrom et al.	
4,619,430 A	10/1986	Hogg	
5,267,718 A	12/1993	Sheehan	
5,267,719 A	12/1993	Keller	
5,595,309 A	1/1997	Bauer et al.	
D392,551 S *	3/1998	Brady et al.	D8/373
D393,414 S *	4/1998	Bries et al.	D8/373
6,196,506 B1	3/2001	Wakai	
6,474,608 B1	11/2002	Takata	
D467,792 S *	12/2002	Zadak et al.	D8/373
6,641,107 B1	11/2003	Janssen	
6,641,344 B2	11/2003	Weiss	

* cited by examiner

Primary Examiner—Holly H. Baynham

(74) *Attorney, Agent, or Firm*—Whyte Hirschboeck Dudek SC

(57) **CLAIM**

An ornamental design for a tool-free hanger.

DESCRIPTION

FIG. 1 is a perspective view of my new design for a tool-free hanger;

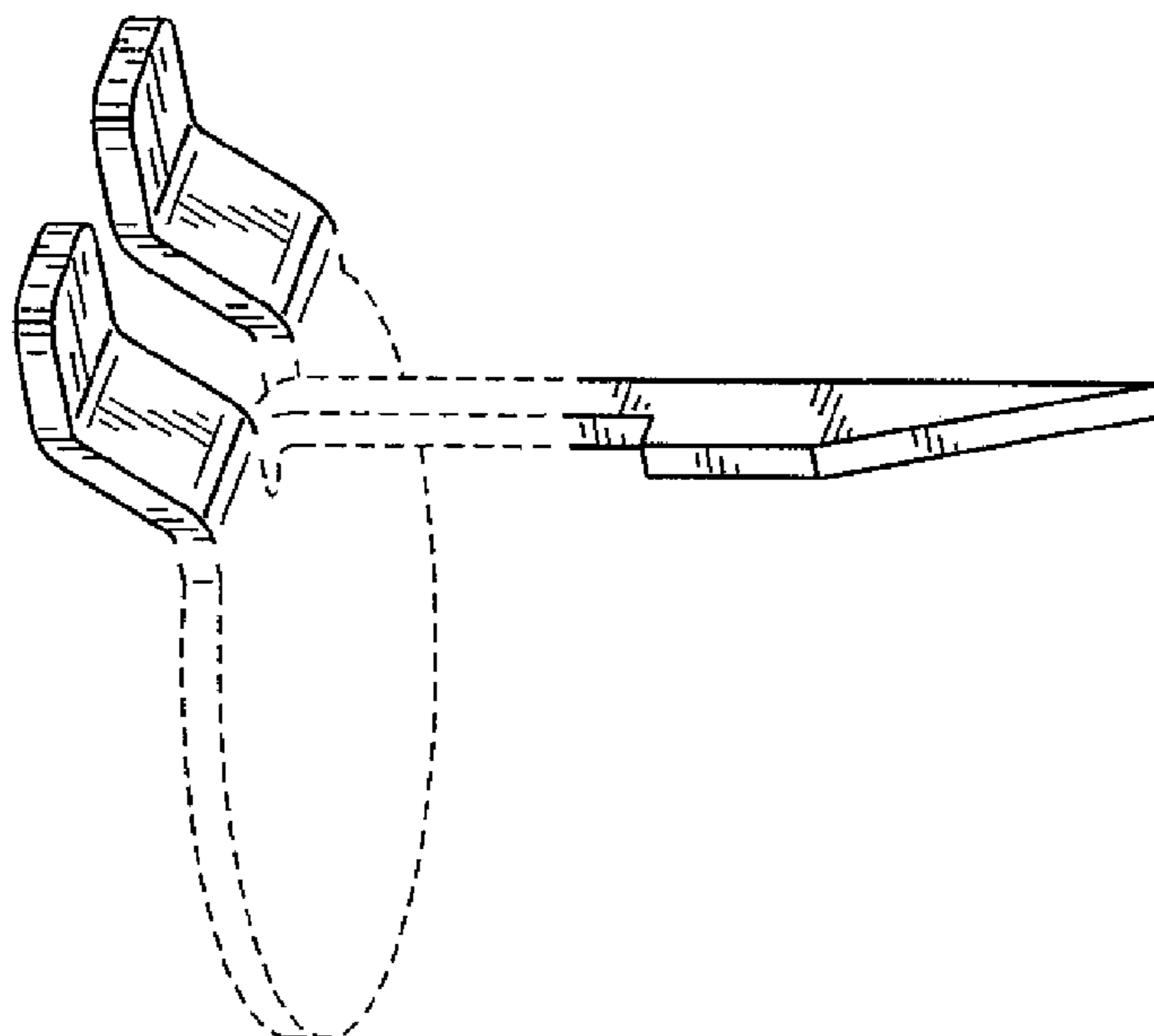
FIG. 2 is a rear view thereof;

FIG. 3 is a right side view thereof; and,

FIG. 4 is a top view thereof.

The broken lines immediately adjacent the shaded areas represent the bounds of the claim and all other broken lines are for illustrative purposes only. None of the broken lines form part of the claimed design.

1 Claim, 1 Drawing Sheet



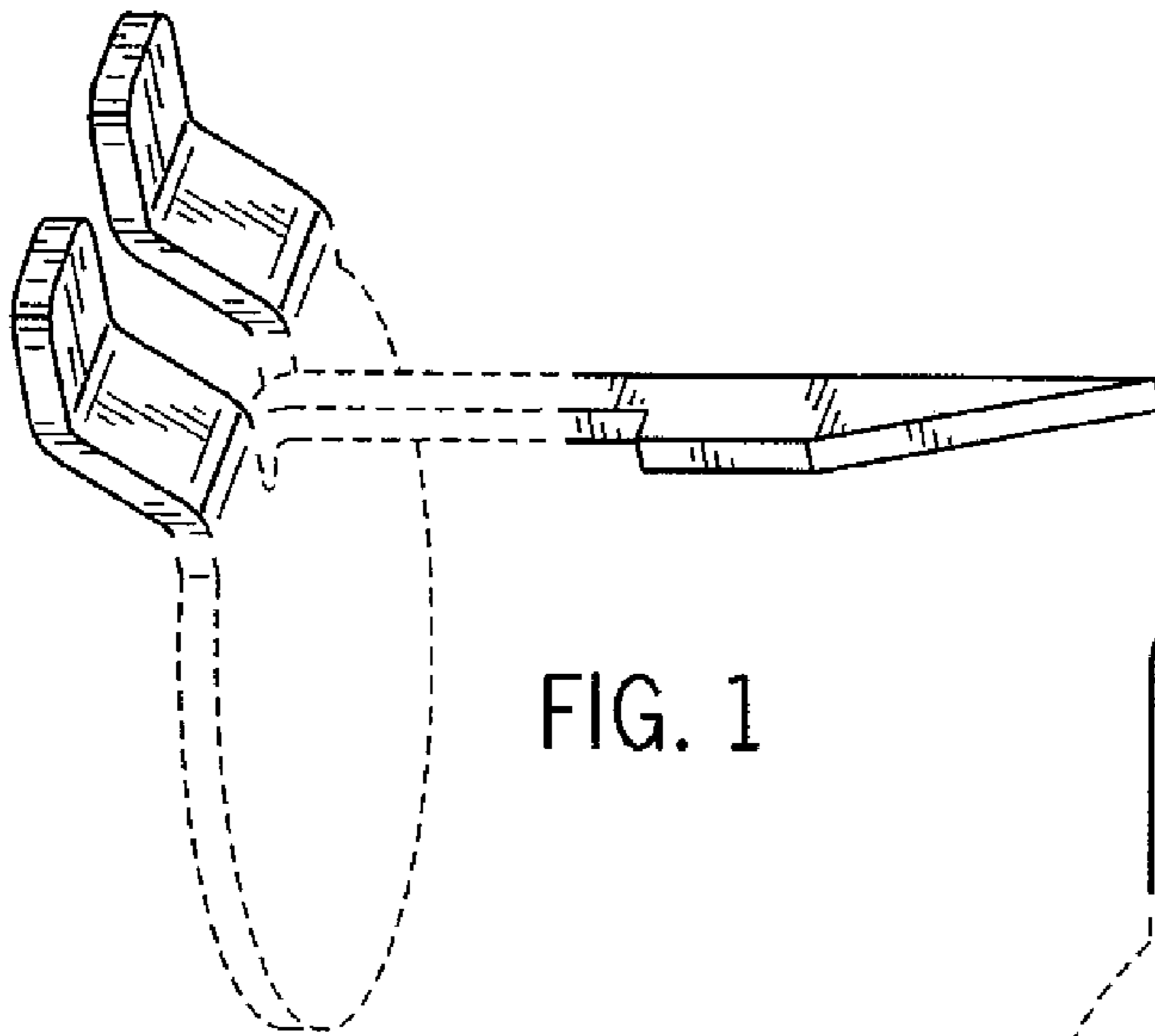


FIG. 1

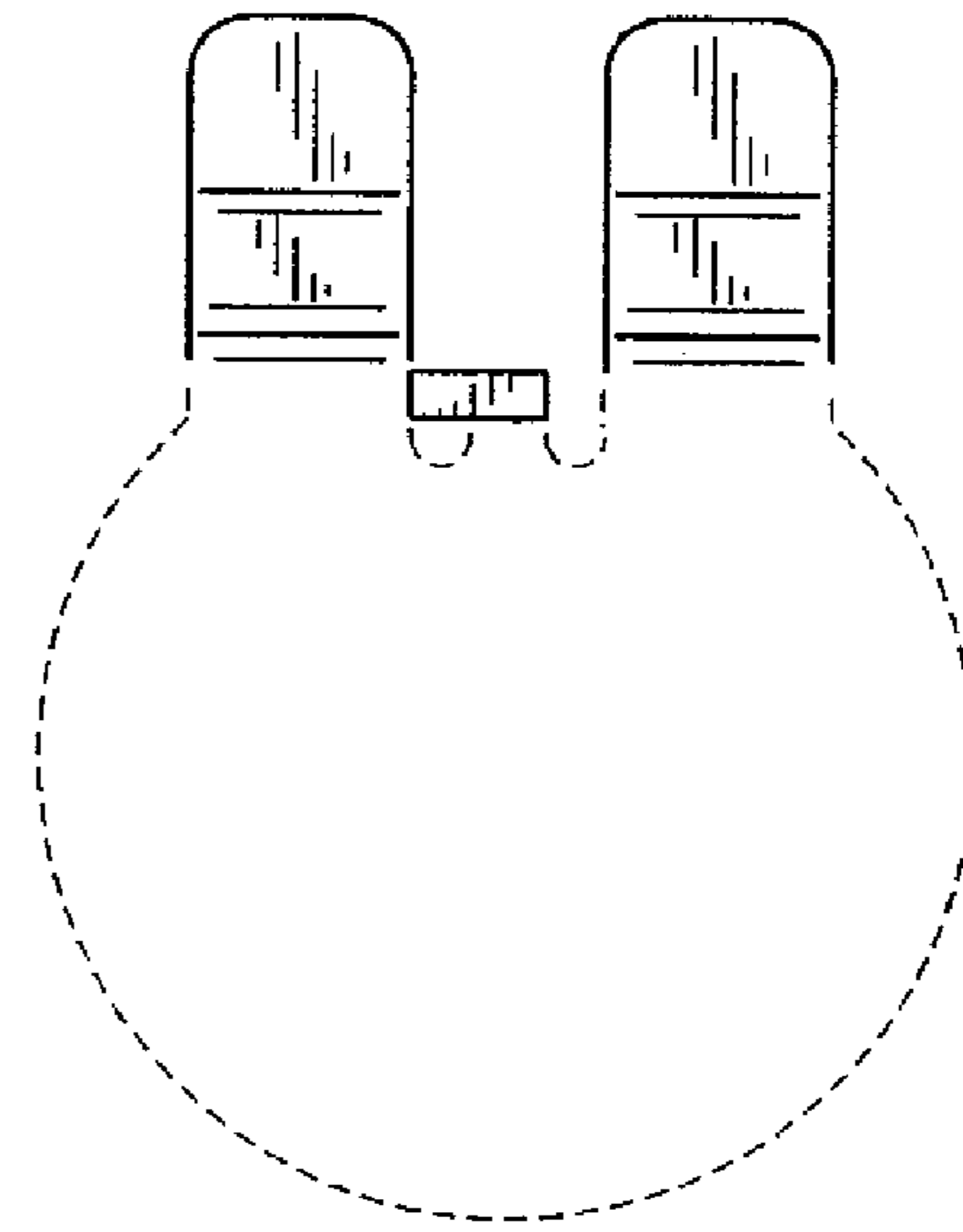


FIG. 2

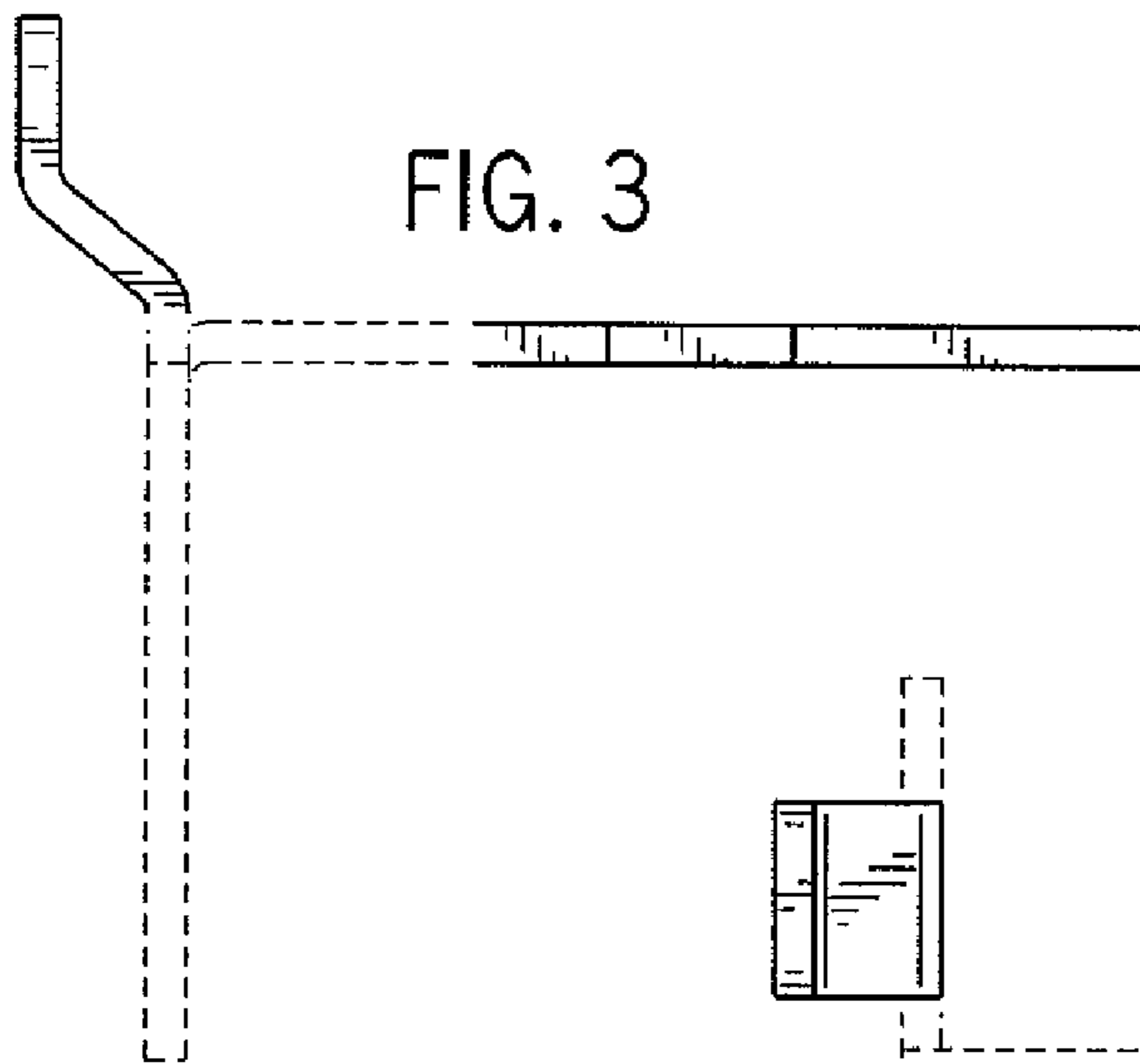


FIG. 3

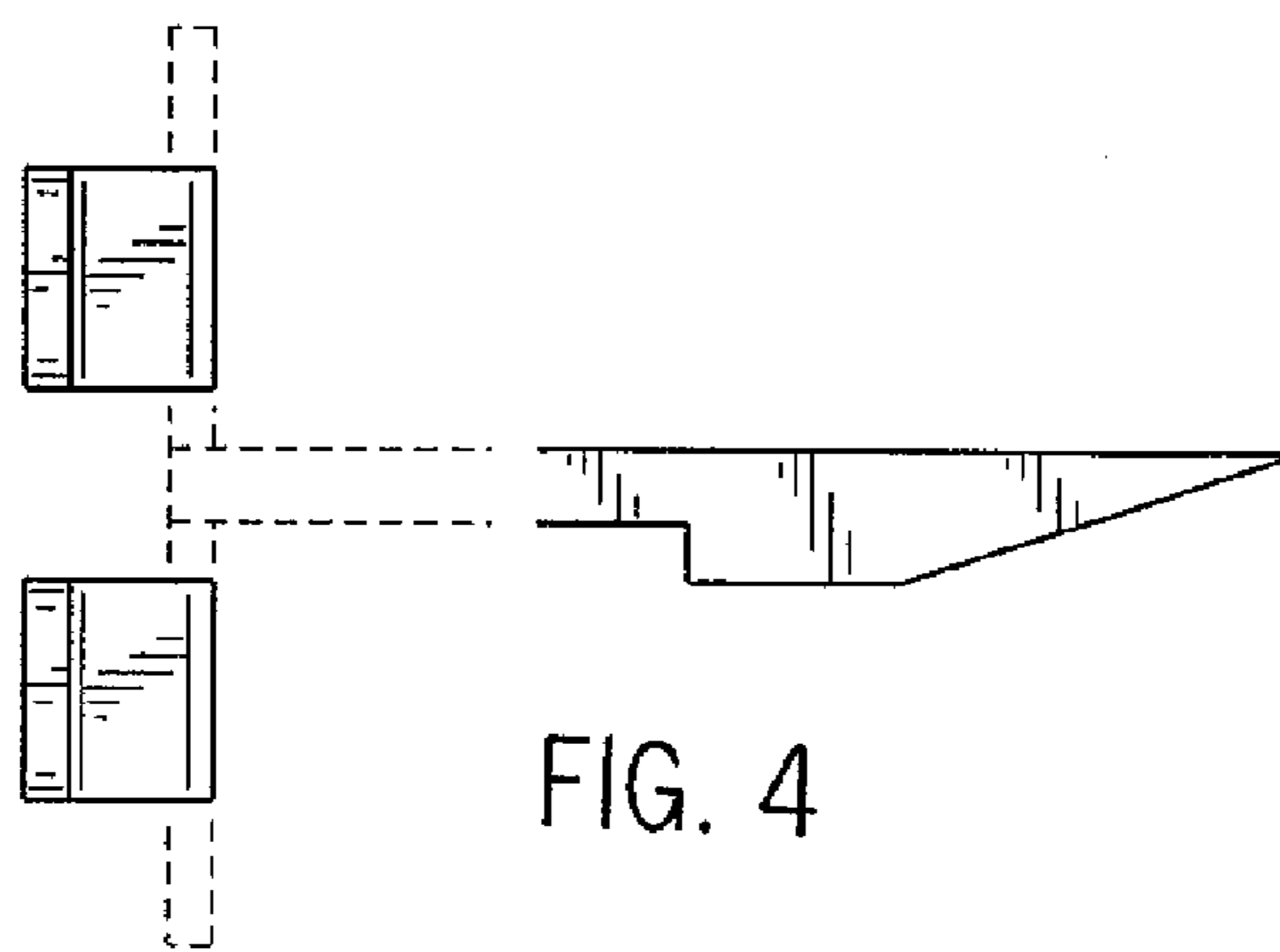


FIG. 4