



US00D544784S

(12) **United States Design Patent**  
**Antonic**

(10) **Patent No.:** **US D544,784 S**

(45) **Date of Patent:** **\*\* Jun. 19, 2007**

(54) **STUD MOUNT**

(76) Inventor: **James P. Antonic**, 9111 Southmont  
Cove #406, Ft. Myers, FL (US) 33908

(\*\*) Term: **14 Years**

(21) Appl. No.: **29/233,444**

(22) Filed: **Jul. 1, 2005**

**Related U.S. Application Data**

(63) Continuation of application No. 11/116,769, filed on Apr. 28,  
2005.

(51) **LOC (8) Cl.** ..... **08-05**

(52) **U.S. Cl.** ..... **D8/354**

(58) **Field of Classification Search** ..... D8/349,  
D8/354; D12/223; 248/300, 278.1; 52/653.1  
See application file for complete search history.

(56) **References Cited**

**U.S. PATENT DOCUMENTS**

5,644,888	A	7/1997	Johnson	
5,802,798	A	* 9/1998	Martens	52/653.1
6,003,279	A	12/1999	Schneider	
6,092,340	A	7/2000	Simmons	
6,272,796	B1	8/2001	Metzler	
6,276,094	B1	8/2001	Hays	
6,314,704	B1	11/2001	Bryant	
6,427,403	B1	8/2002	Tambakis	
6,438,903	B1	8/2002	Weiss	
6,581,337	B1	6/2003	Skov et al.	
6,754,999	B1	6/2004	Urbanczyk	
2002/0069600	A1	6/2002	Bryant	
2002/0092245	A1	7/2002	Floyd et al.	
2003/0089066	A1	5/2003	Nelson	

**OTHER PUBLICATIONS**

U.S. Appl. No. 29/233,443, filed Jul. 1, 2005, Antonic.

U.S. Appl. No. 29/233,441, filed Jul. 1, 2005, Antonic.

U.S. Appl. No. 29/233,442, filed Jul. 1, 2005, Antonic.

\* cited by examiner

*Primary Examiner*—Holly H. Baynham

(74) *Attorney, Agent, or Firm*—Laura G. Barrow

(57) **CLAIM**

The ornamental design for a stud mount, as shown and described.

**DESCRIPTION**

FIG. 1 is a perspective view of the first embodiment of the stud mount showing my new design. All features shown in phantom (i.e. the exemplary structural stud, washer, nut, J-hook, and screws or bolts) are for illustrative purposes only, namely to show the intended use of the stud mount, and thus those features shown in phantom form no part of the claimed design.

FIG. 2 is a front elevation of the design shown in FIG. 1 as well as the designs for the second and third embodiments shown in FIGS. 8 and 12 respectively;

FIG. 3 is a rear elevation of the design shown in FIG. 1 as well as the designs for the second and third embodiments shown in FIGS. 8 and 12 respectively;

FIGS. 4 and 5 are side elevation views of the design shown in FIG. 1 .

FIG. 6 is a top plan view of the design shown in FIG. 1 .

FIG. 7 is a bottom plan view of the design shown in FIG. 1 .

FIG. 8 is a perspective view of a second embodiment of the stud mount showing my new design. The exemplary structural stud shown in phantom is for illustrative purposes only, namely to show the intended use of the stud mount, and thus forms no part of the claimed design.

FIG. 9 is a side elevation view of the design shown in FIG. 8. Both the right and left sides of this second embodiment are identical.

FIG. 10 is a top plan view of the design shown in FIG. 8 .

FIG. 11 is a bottom plan view of the design shown in FIG. 8.

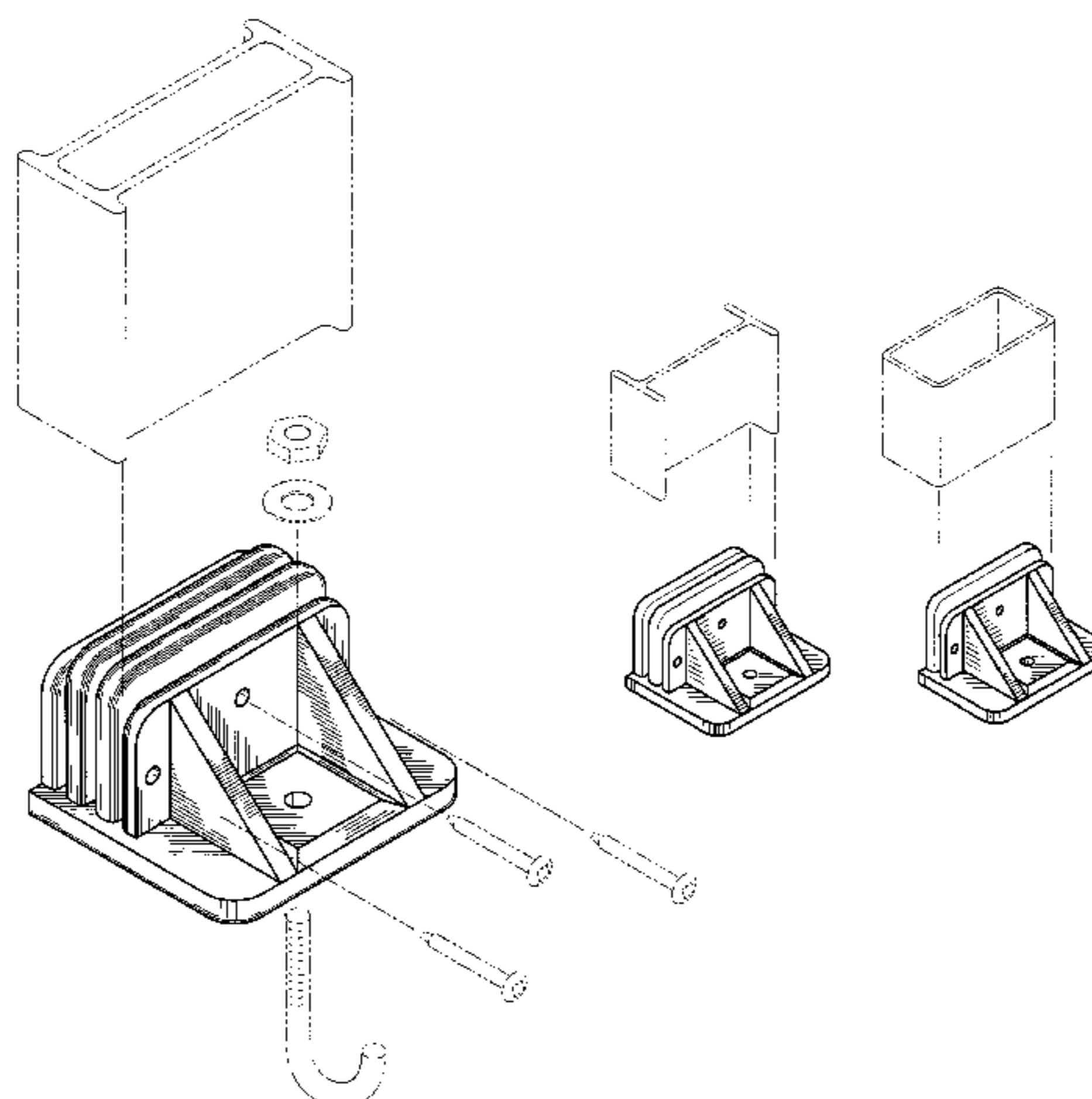
FIG. 12 is a perspective view of a third embodiment of the stud mount showing my new design. The exemplary structural stud shown in phantom is for illustrative purposes only, namely to show the intended use of the stud mount, and thus forms no part of the claimed design.

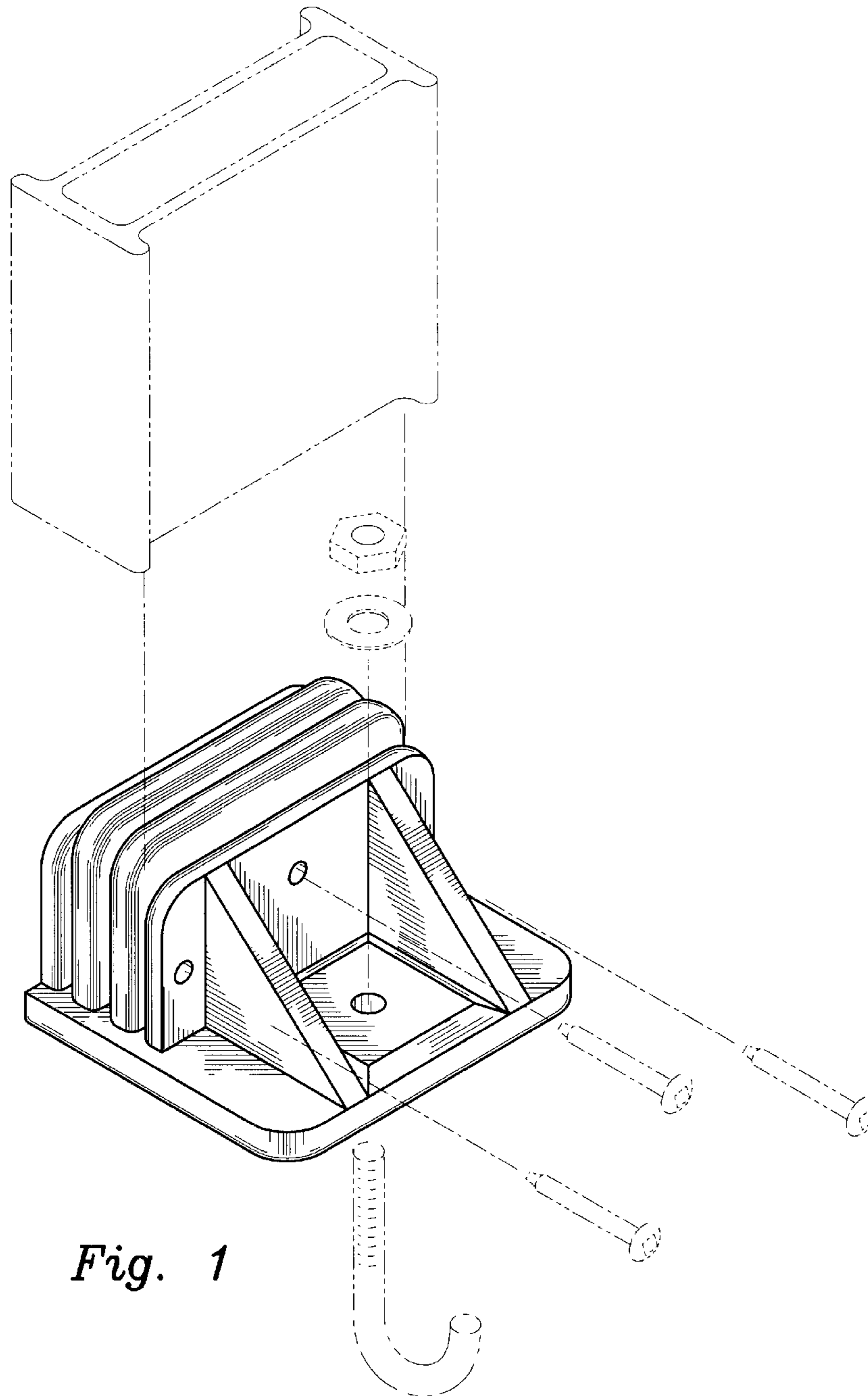
FIG. 13 is a side elevation view of the design shown in FIG. 12. Both the right and left sides of this third embodiment are identical.

FIG. 14 is a top plan view of the design shown in FIG. 12; and,

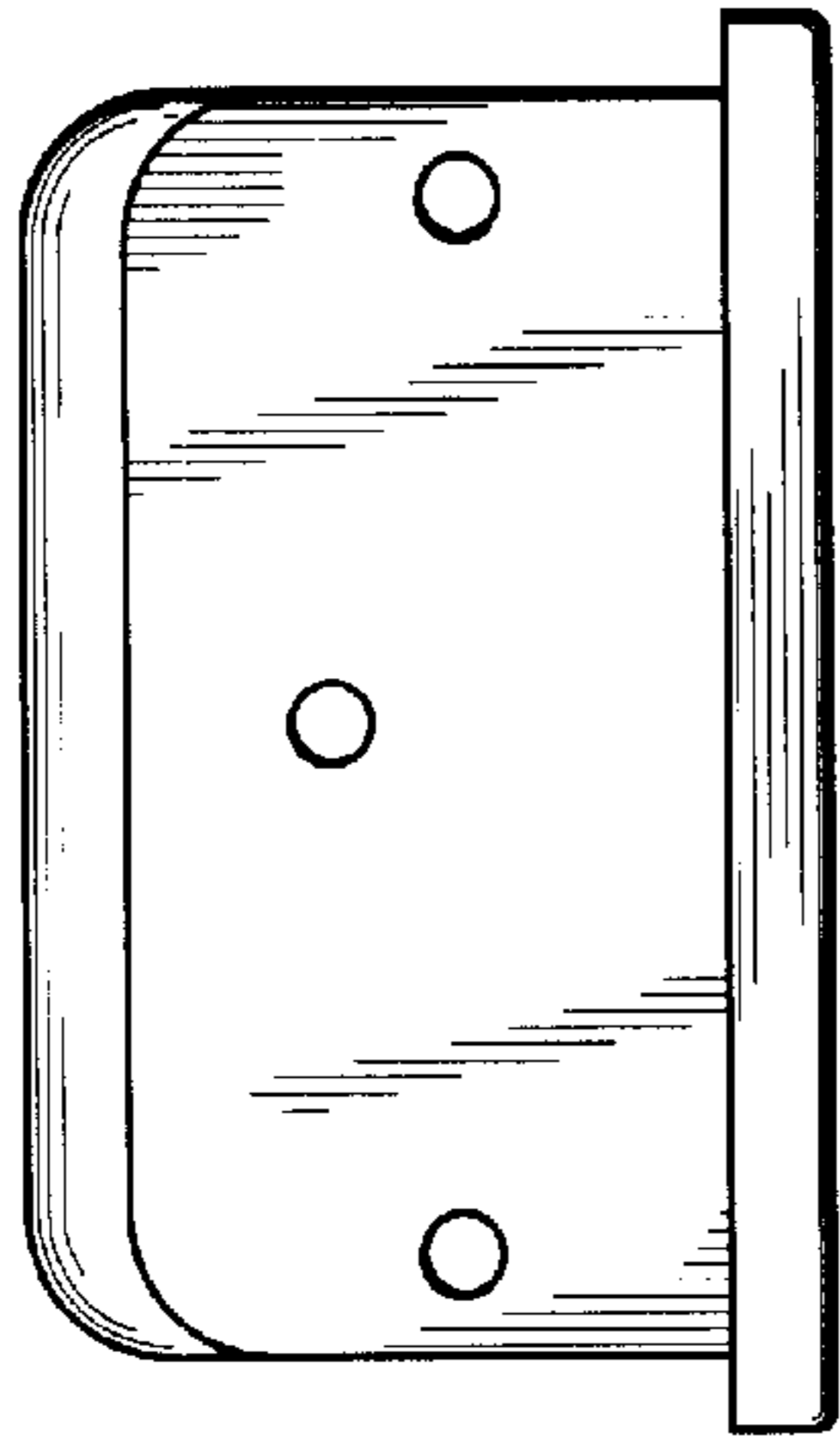
FIG. 15 is a bottom plan view of the design shown in FIG. 12.

**1 Claim, 5 Drawing Sheets**

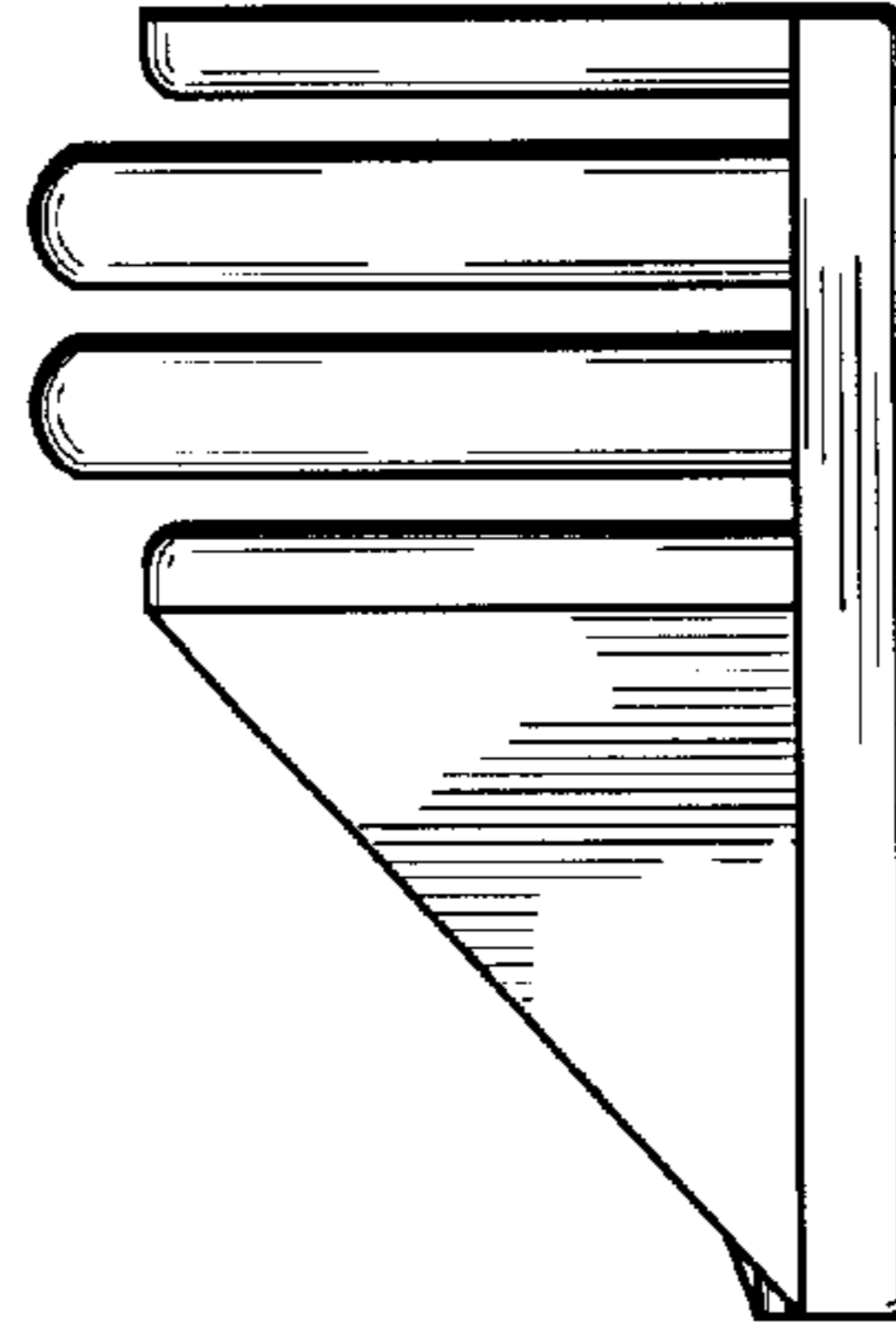




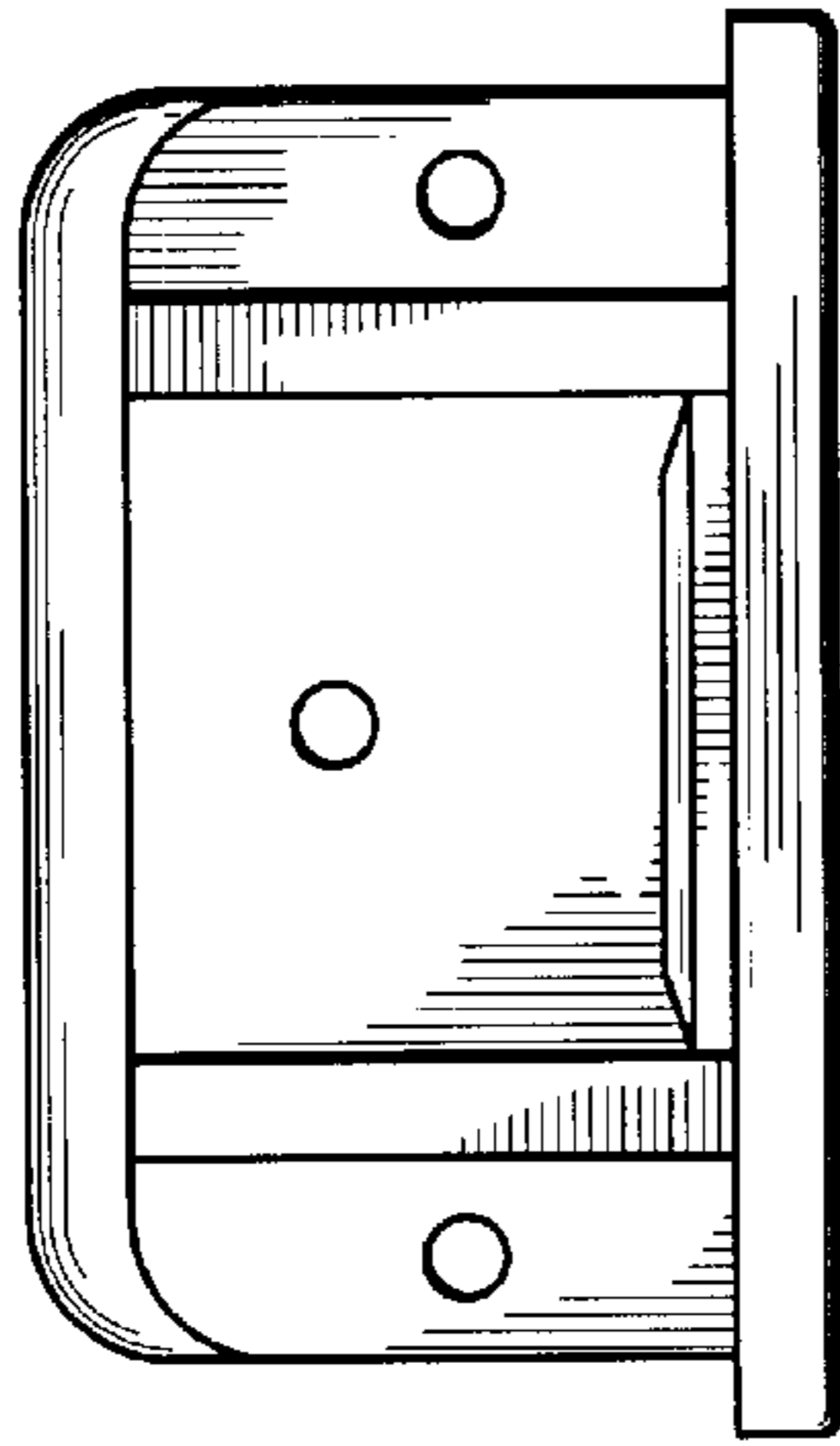
*Fig. 1*



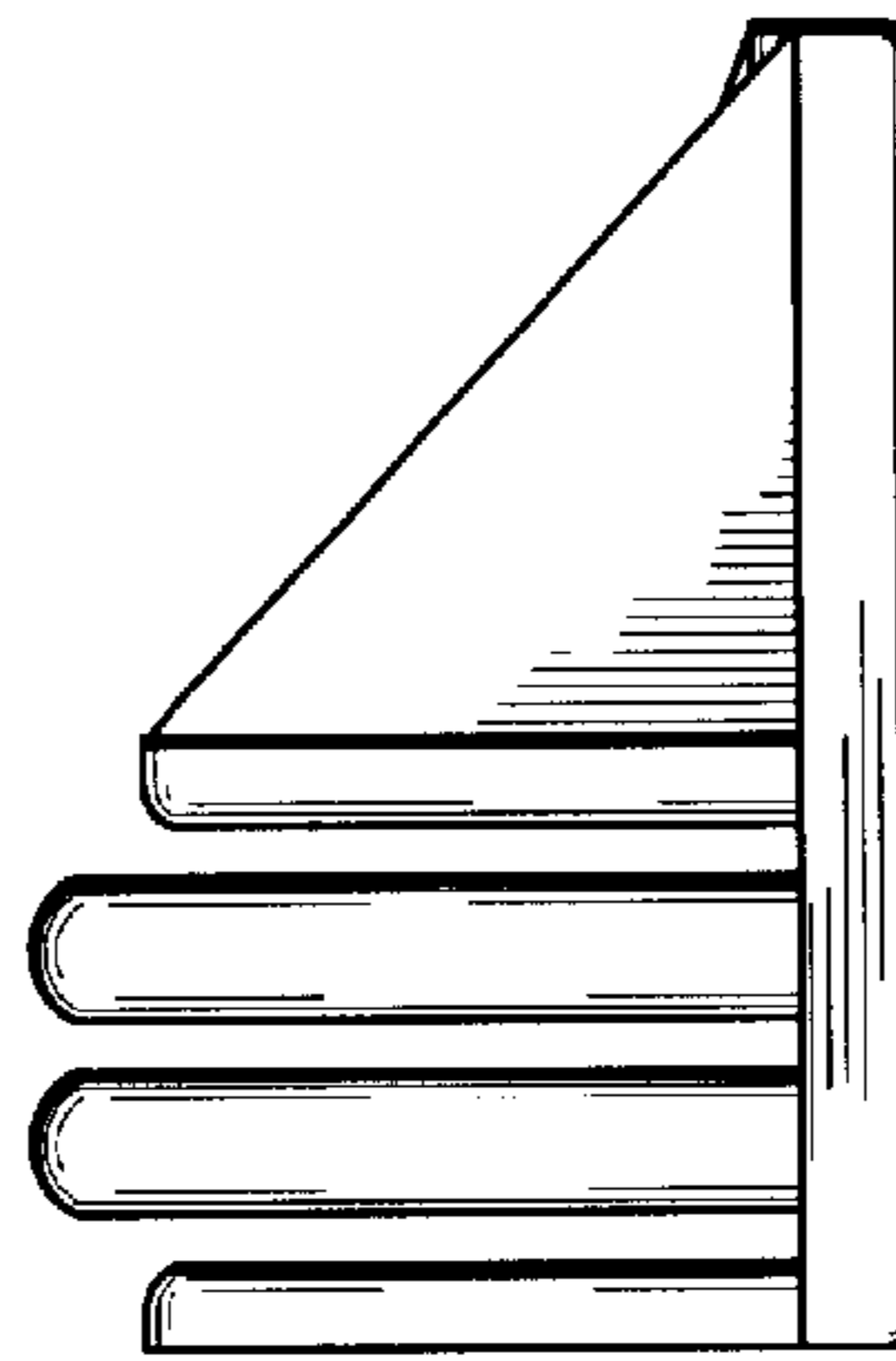
*Fig. 3*



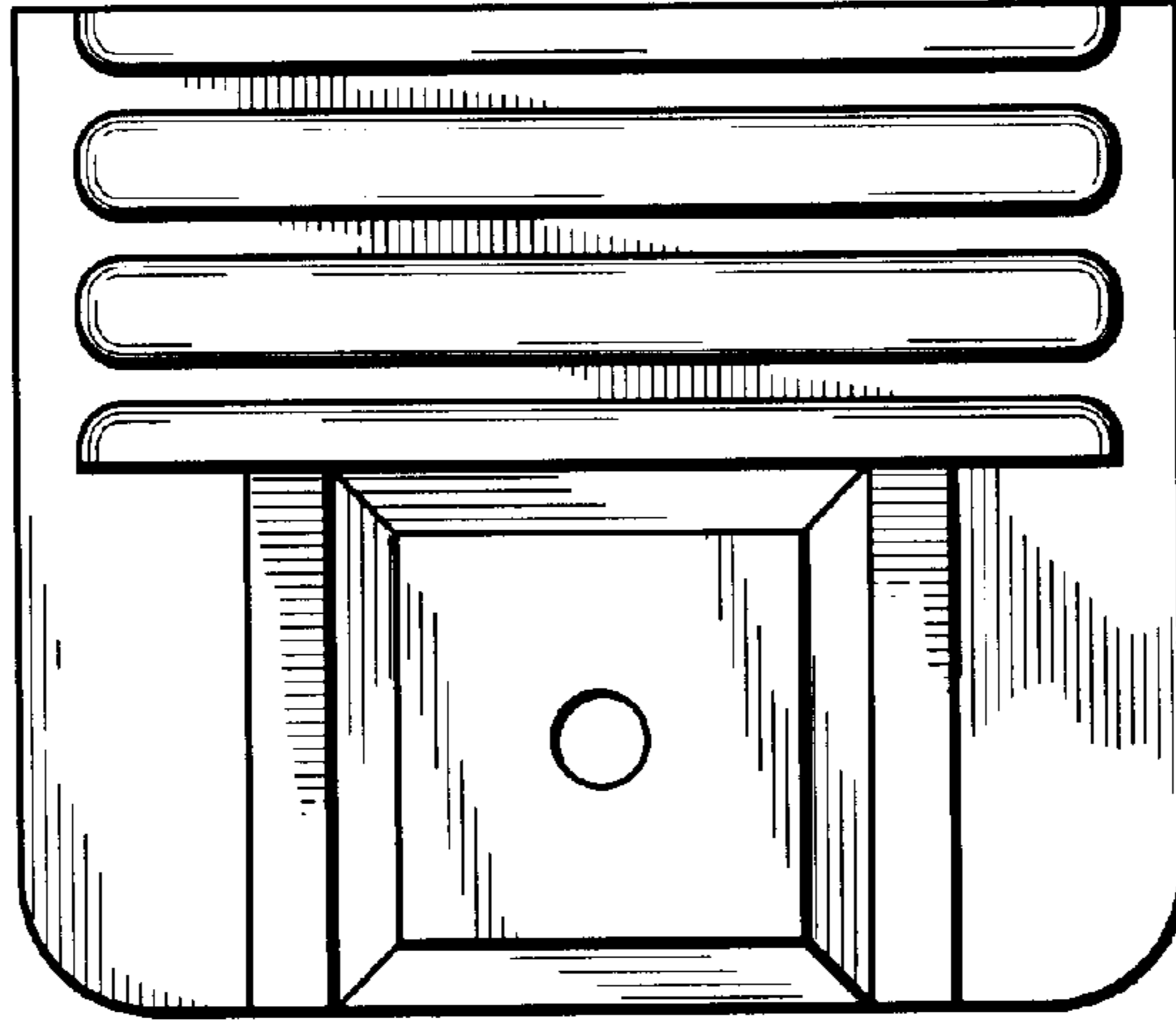
*Fig. 5*



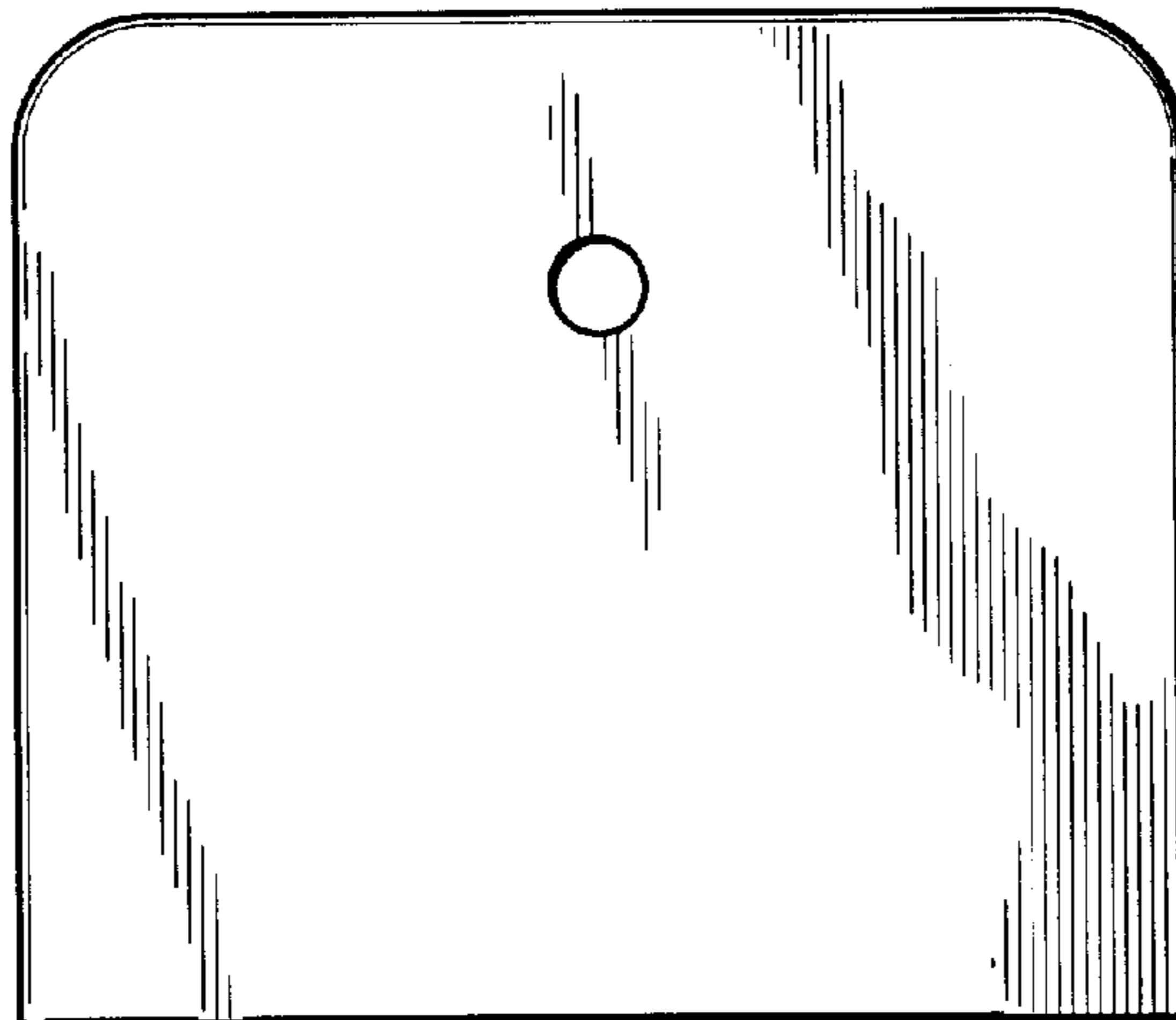
*Fig. 2*



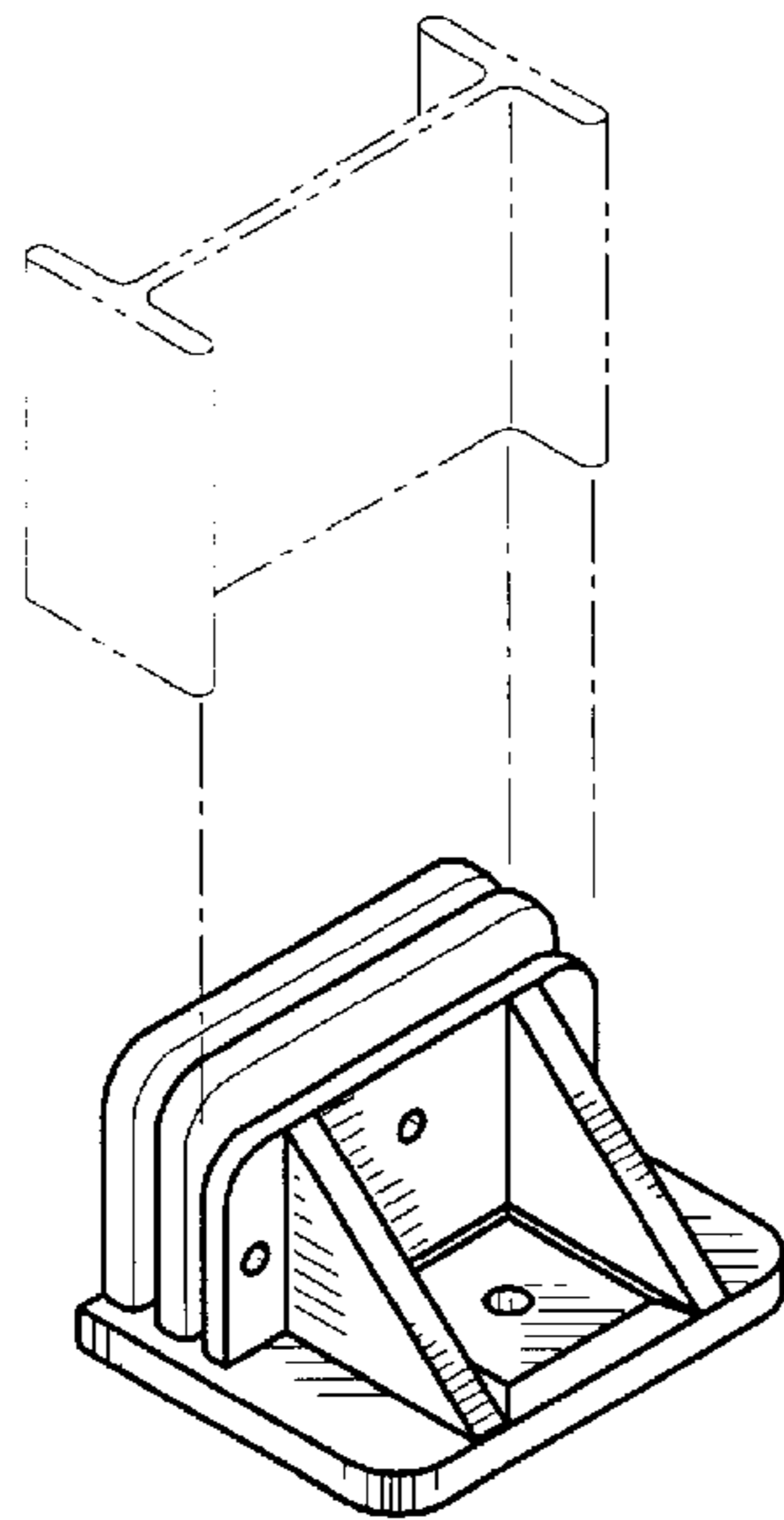
*Fig. 4*



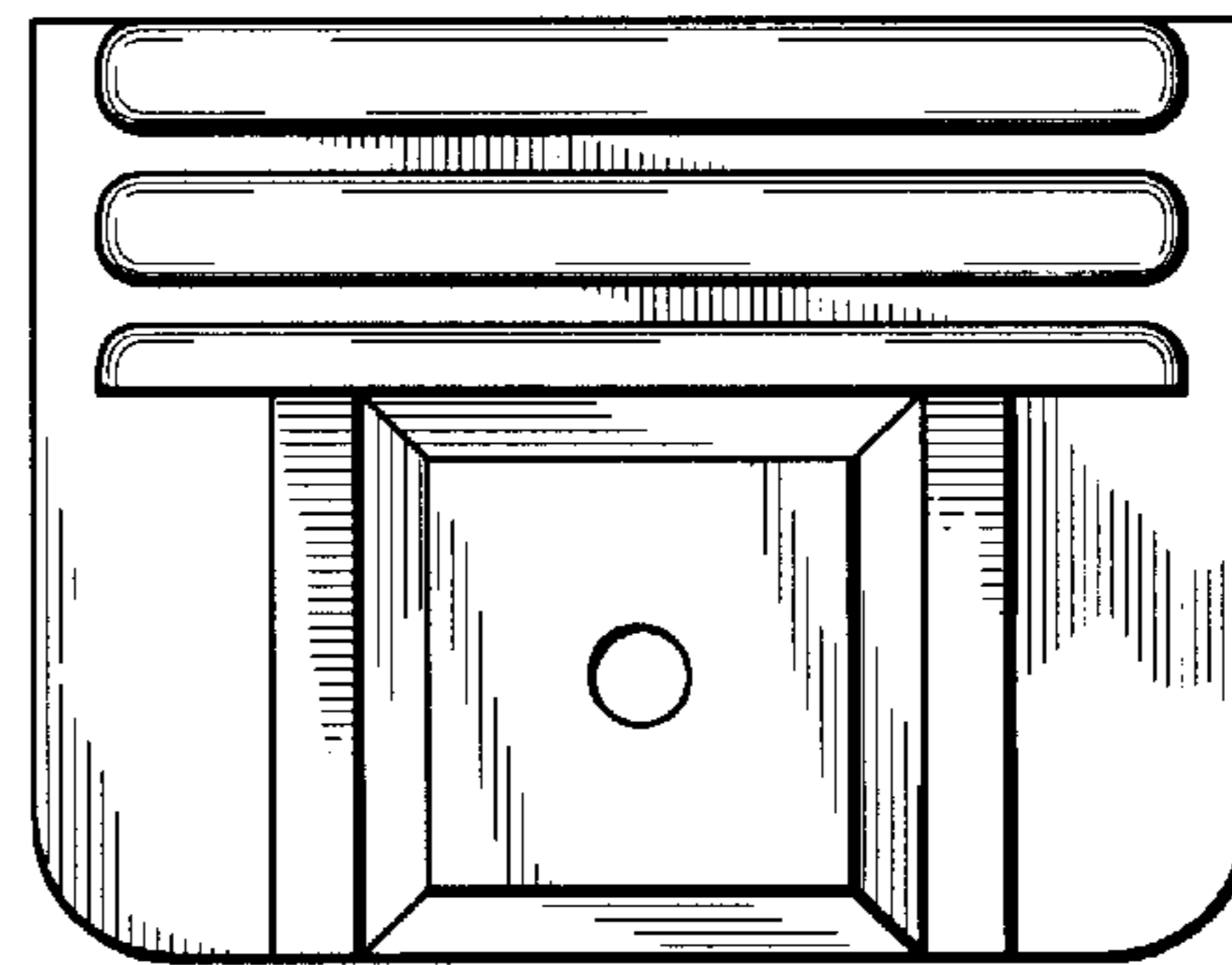
*Fig. 6*



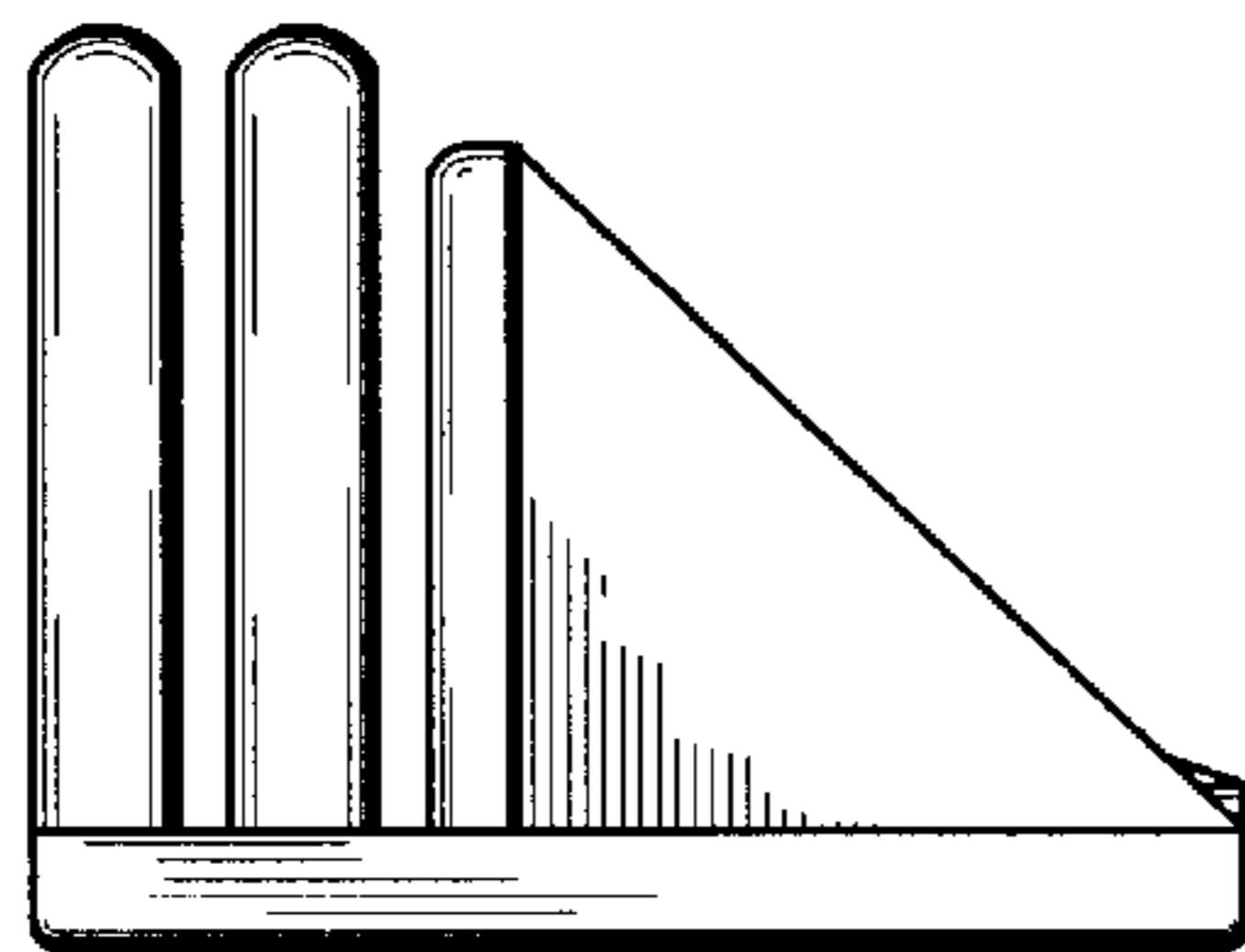
*Fig. 7*



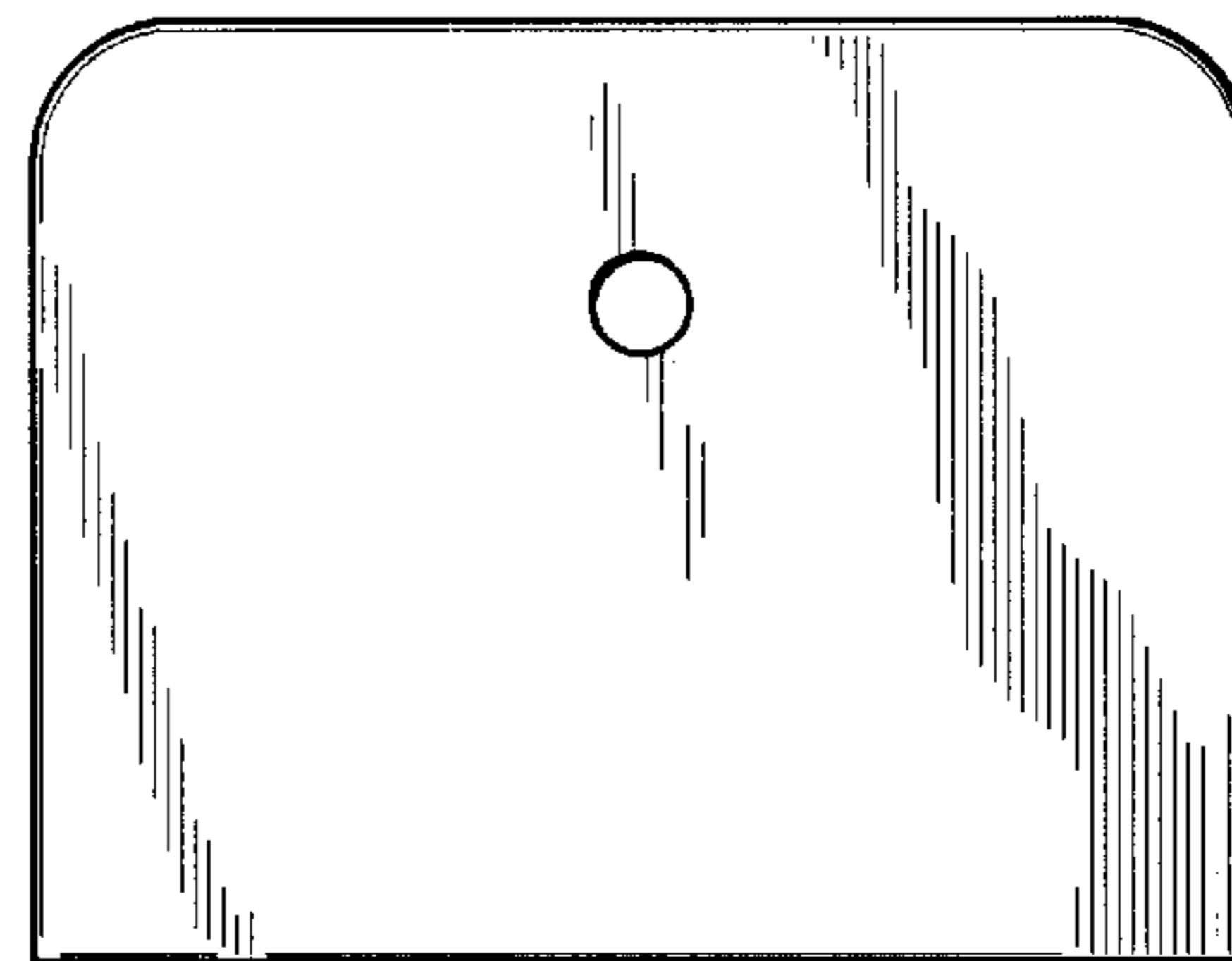
*Fig. 8*



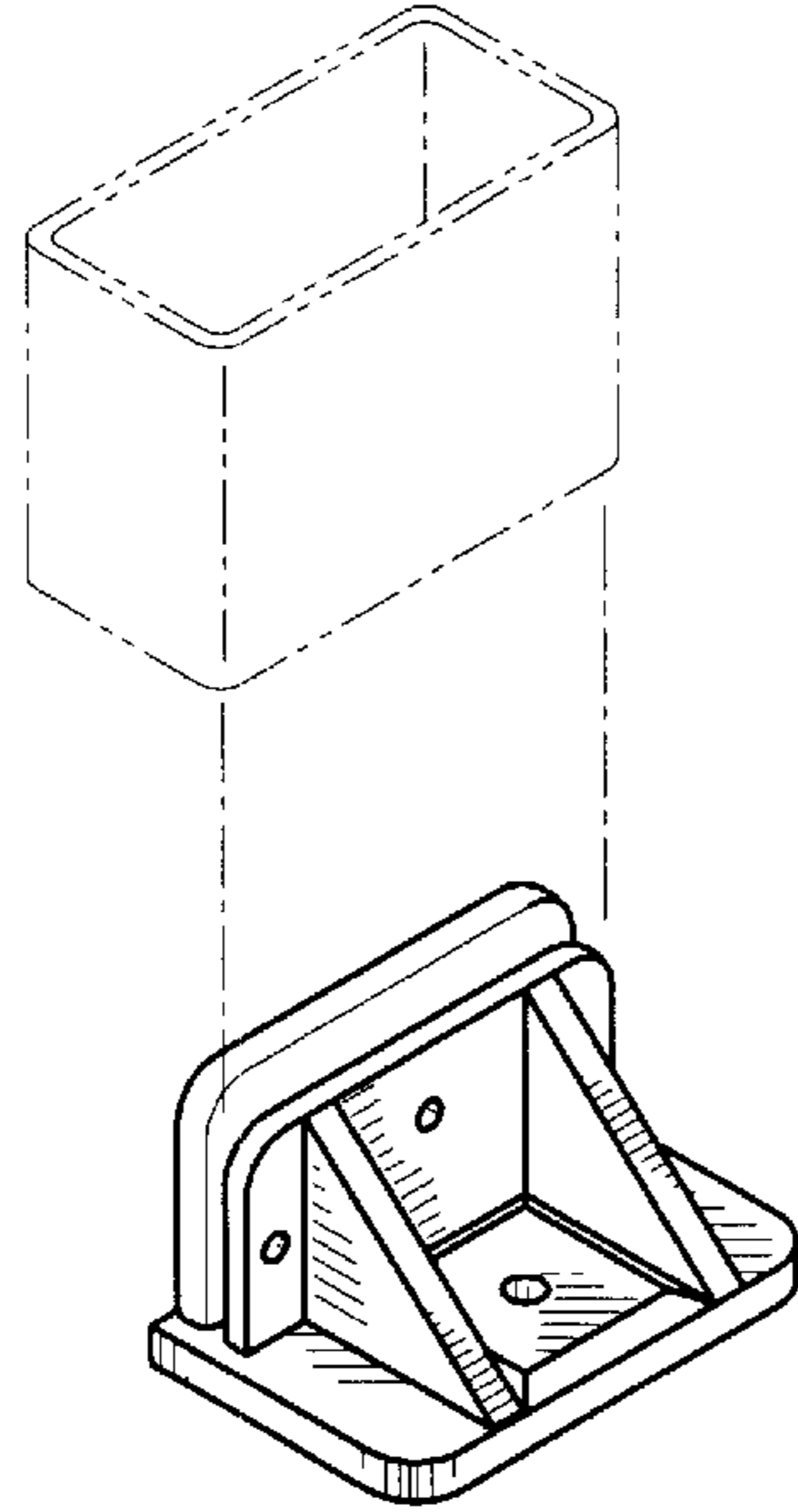
*Fig. 10*



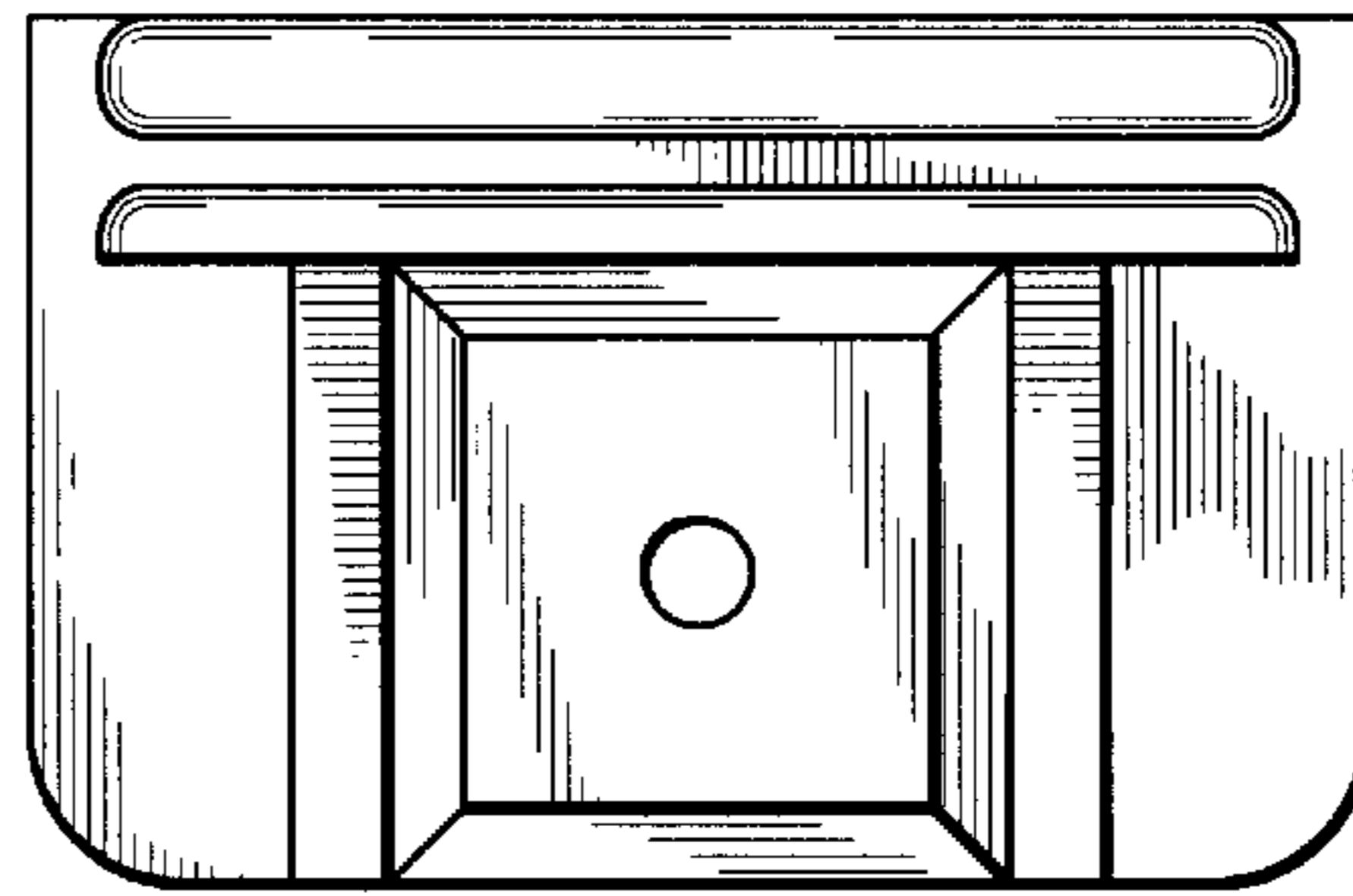
*Fig. 9*



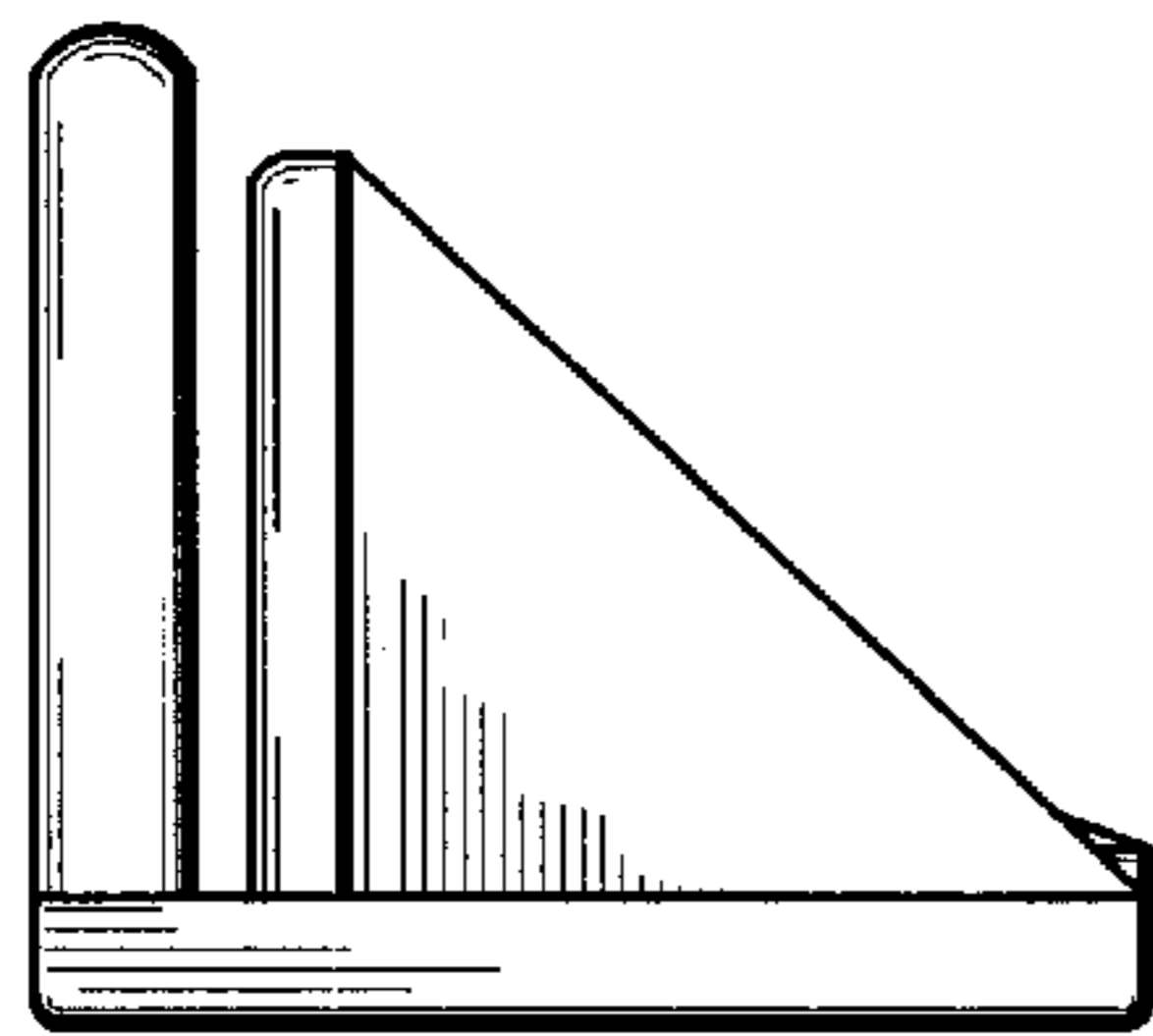
*Fig. 11*



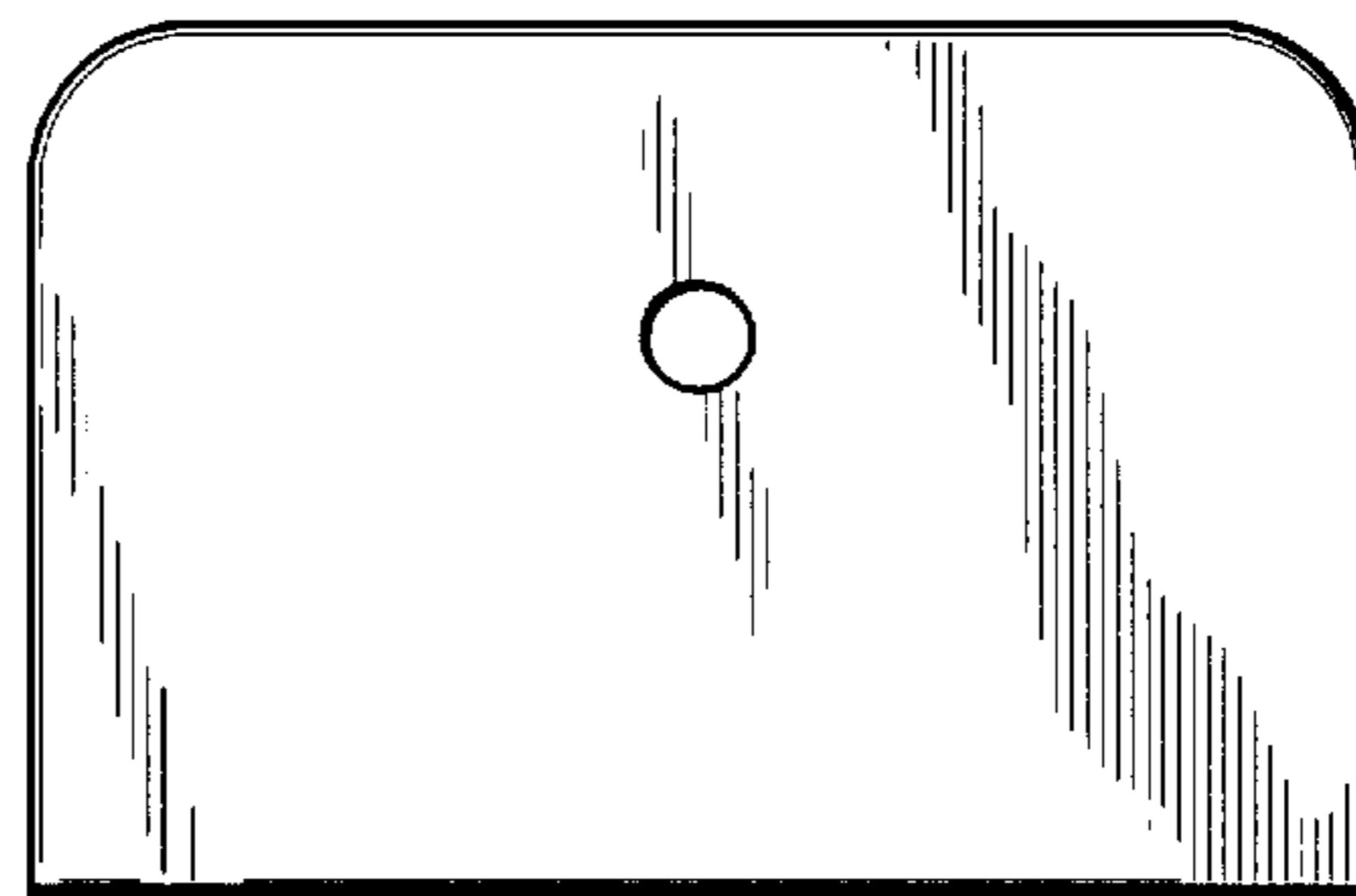
*Fig. 12*



*Fig. 14*



*Fig. 13*



*Fig. 15*