



US00D544783S

(12) **United States Design Patent**
Dinh

(10) **Patent No.:** **US D544,783 S**

(45) **Date of Patent:** **** Jun. 19, 2007**

(54) **WALL PLATE ASSEMBLY**

(75) Inventor: **Cong Thanh Dinh**, Collierville, TN
(US)

(73) Assignee: **Thomas & Betts International, Inc.**,
Sparks, NV (US)

(**) Term: **14 Years**

(21) Appl. No.: **29/262,390**

(22) Filed: **Jun. 30, 2006**

5,117,122 A *	5/1992	Hogarth et al.	307/140
5,243,134 A *	9/1993	Nattel	174/53
5,257,946 A *	11/1993	MacMillan et al.	439/535
D343,825 S *	2/1994	Enderby	D13/152
D348,870 S *	7/1994	Warrington	D13/152
5,419,716 A *	5/1995	Sciammarella et al. ..	439/540.1
5,486,650 A *	1/1996	Yetter	174/53
5,574,256 A *	11/1996	Cottone	174/53
5,598,998 A *	2/1997	Lynn	248/300
5,651,696 A *	7/1997	Jennison	439/536
D401,566 S *	11/1998	Gesmondi et al.	D13/177
5,934,917 A *	8/1999	Haut	439/131

(Continued)

Related U.S. Application Data

(62) Division of application No. 29/211,493, filed on Aug. 17,
2004, now Pat. No. Des. 524,984.

(51) **LOC (8) Cl.** **11-05**

(52) **U.S. Cl.** **D8/353**

(58) **Field of Classification Search** D8/350-353;
D13/156, 177, 152, 154, 158, 173, 169, 171,
D13/139.1-139.8; D14/159; D25/60; 379/167;
439/536; 177/66, 67; 220/241, 242, 3.7, 3.8;
174/55

See application file for complete search history.

(56) **References Cited**

U.S. PATENT DOCUMENTS

1,694,054 A *	12/1928	Both	174/53
2,828,394 A *	3/1958	Mayzik	200/297
3,530,230 A *	9/1970	Cormier et al.	174/66
4,059,327 A *	11/1977	Vann	439/535
4,451,108 A *	5/1984	Skidmore	439/536
4,559,410 A *	12/1985	Hostetter	174/497
4,603,229 A *	7/1986	Menchetti	174/503
4,613,728 A *	9/1986	Lathrop	174/53
4,642,418 A *	2/1987	Menchetti	174/503
4,758,687 A *	7/1988	Lathrop	174/53
4,778,399 A *	10/1988	Schenk	439/147
D308,464 S *	6/1990	Freeman et al.	D8/353
4,972,045 A *	11/1990	Primeau	174/66
4,988,832 A *	1/1991	Shotey	174/67
5,114,365 A *	5/1992	Thompson et al.	439/540.1

Primary Examiner—Stella Reid

Assistant Examiner—Mark Goodwin

(74) *Attorney, Agent, or Firm*—Hoffman & Baron, LLP

(57) **CLAIM**

The ornamental design for the wall plate assembly, as shown
and described.

DESCRIPTION

FIG. 1 is a front perspective view of the wall plate assembly
of the present invention;

FIG. 2 is a rear perspective view of the wall plate assembly
of FIG. 1;

FIG. 3 is a front elevation view of the wall plate assembly
of FIG. 1;

FIG. 4 is a rear elevational view of the wall plate assembly
of FIG. 1;

FIG. 5 is a right side elevation view of the wall plate
assembly of FIG. 1;

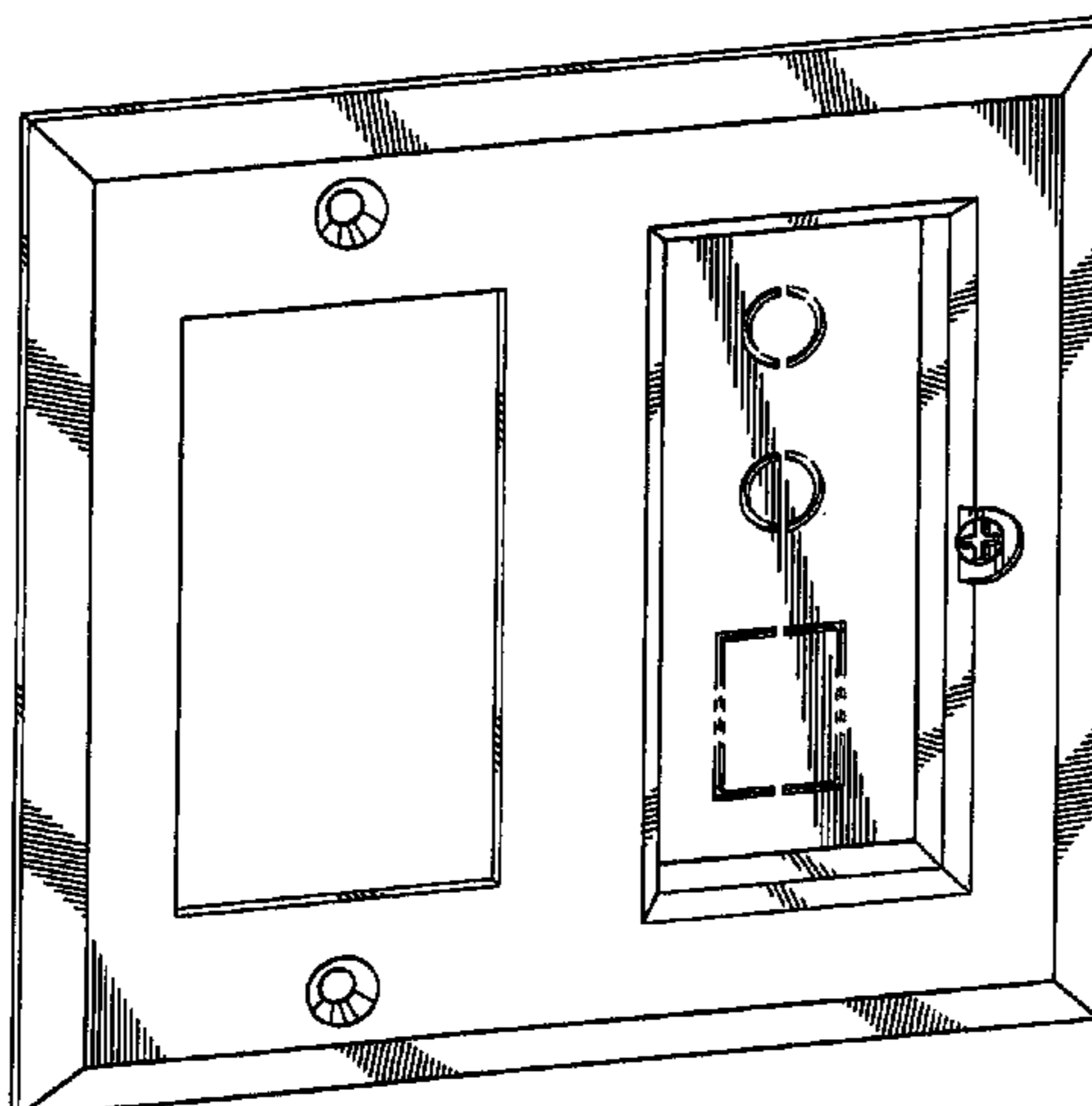
FIG. 6 is a left side elevation view of the wall plate assembly
of FIG. 1;

FIG. 7 is a top plan view of the wall plate assembly of FIG.
1; and,

FIG. 8 is a bottom plan view of the wall plate assembly of
FIG. 1.

The broken lines in FIGS. 1-4 represents a border for
cutouts.

1 Claim, 6 Drawing Sheets



US D544,783 S

Page 2

U.S. PATENT DOCUMENTS

6,026,605	A	*	2/2000	Tippett	40/725	6,414,906	B1	*	7/2002	Gaspari	367/139
6,093,890	A	*	7/2000	Gretz	174/58	D462,939	S	*	9/2002	Dinh	D13/156
6,102,360	A	*	8/2000	Clegg et al.	248/27.1	6,444,906	B1	*	9/2002	Lewis	174/53
6,127,630	A	*	10/2000	McKenzie et al.	174/58	D463,969	S	*	10/2002	Luu	D8/353
6,147,304	A	*	11/2000	Doherty	174/481	6,545,218	B1	*	4/2003	Blaess	174/67
6,194,657	B1	*	2/2001	Gretz	174/53	6,566,602	B1	*	5/2003	Miller et al.	174/66
6,200,159	B1	*	3/2001	Chou	439/535	6,637,166	B2	*	10/2003	Kinsey	52/220.8
6,207,895	B1	*	3/2001	Engel	174/53	6,753,471	B2	*	6/2004	Johnson et al.	174/50
6,222,124	B1	*	4/2001	Pritchard et al.	174/66	6,872,887	B2	*	3/2005	Shotey et al.	174/66
6,346,674	B1	*	2/2002	Gretz	174/58							

* cited by examiner

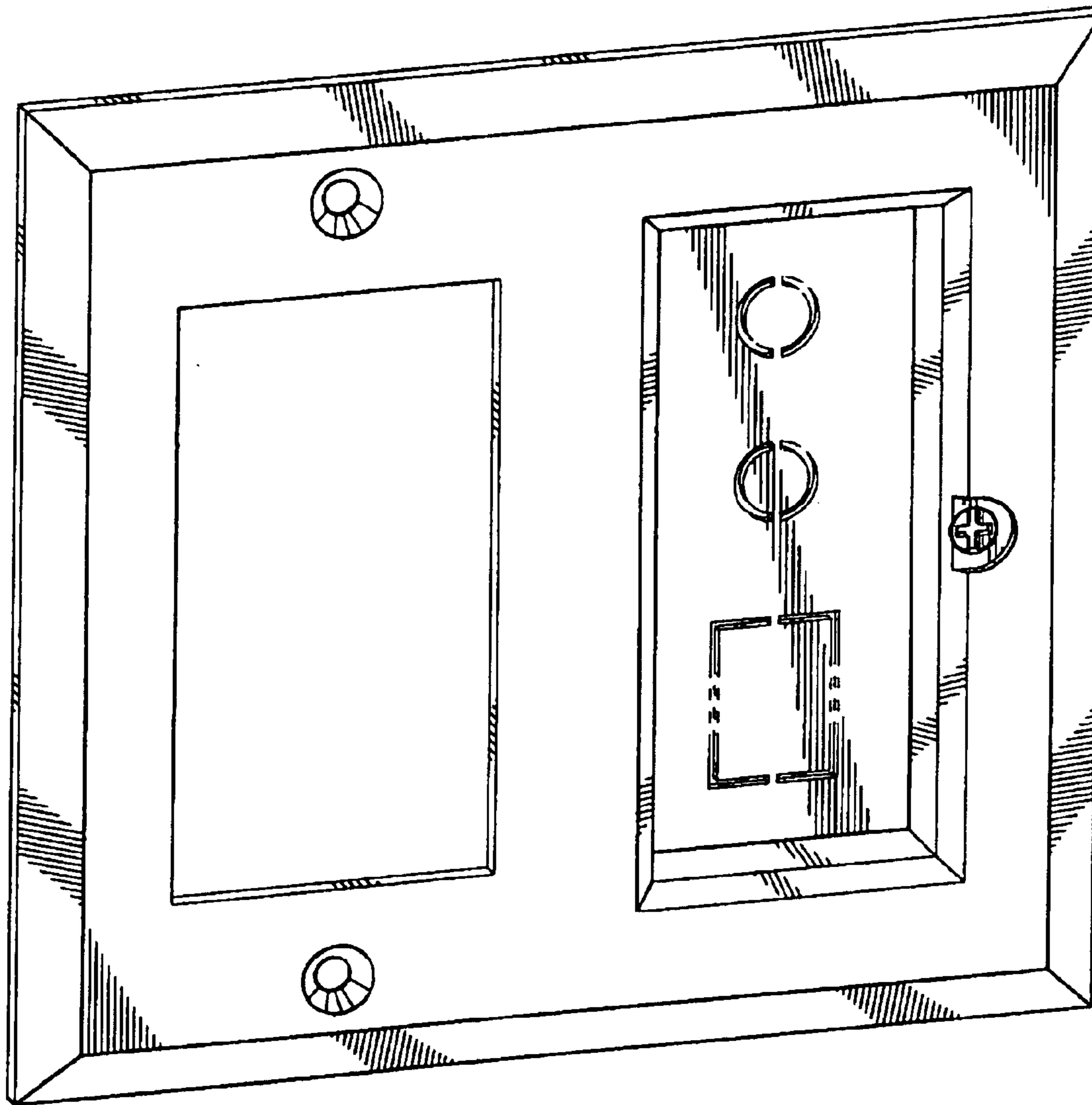


FIG. 1

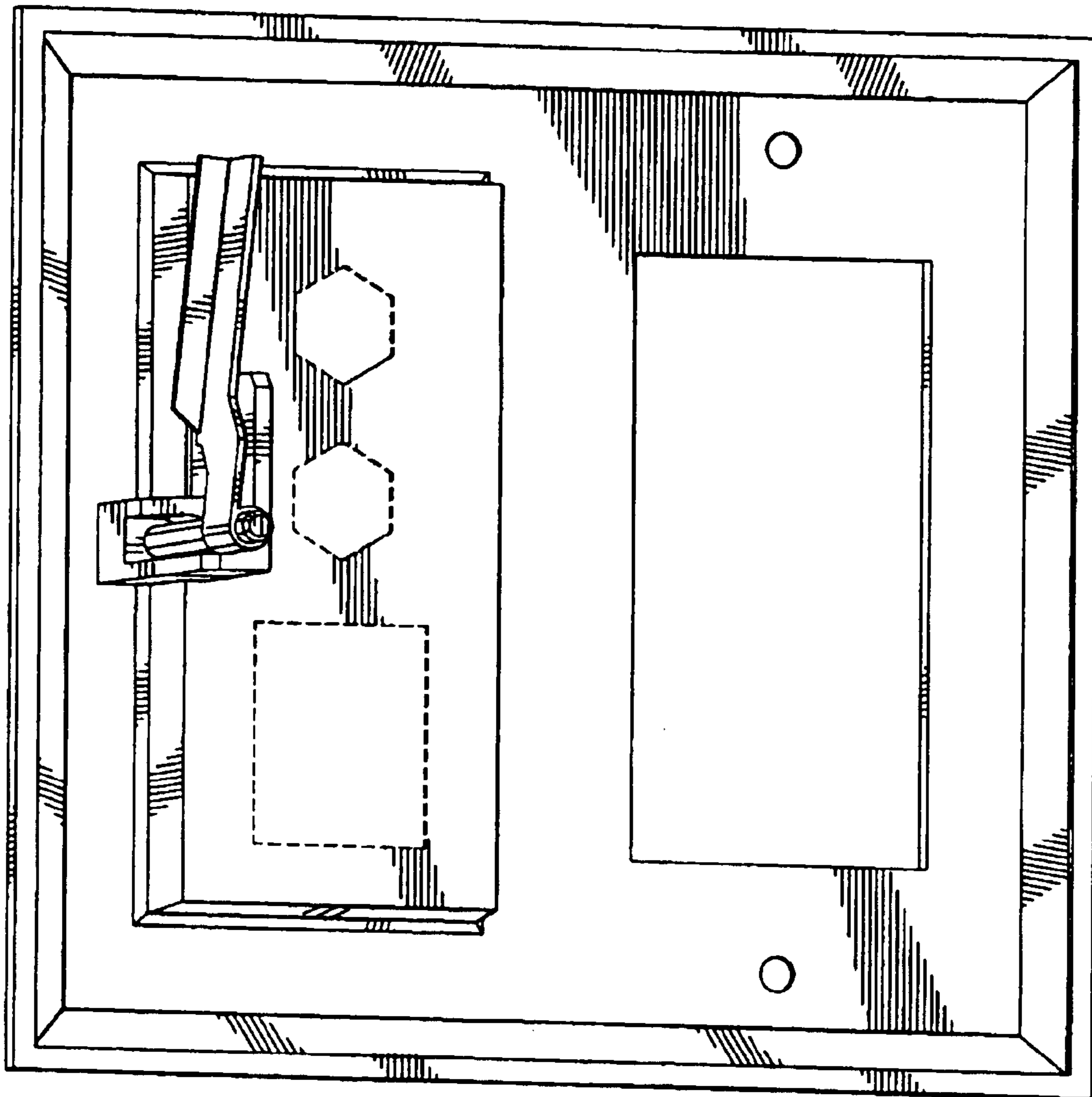


FIG. 2

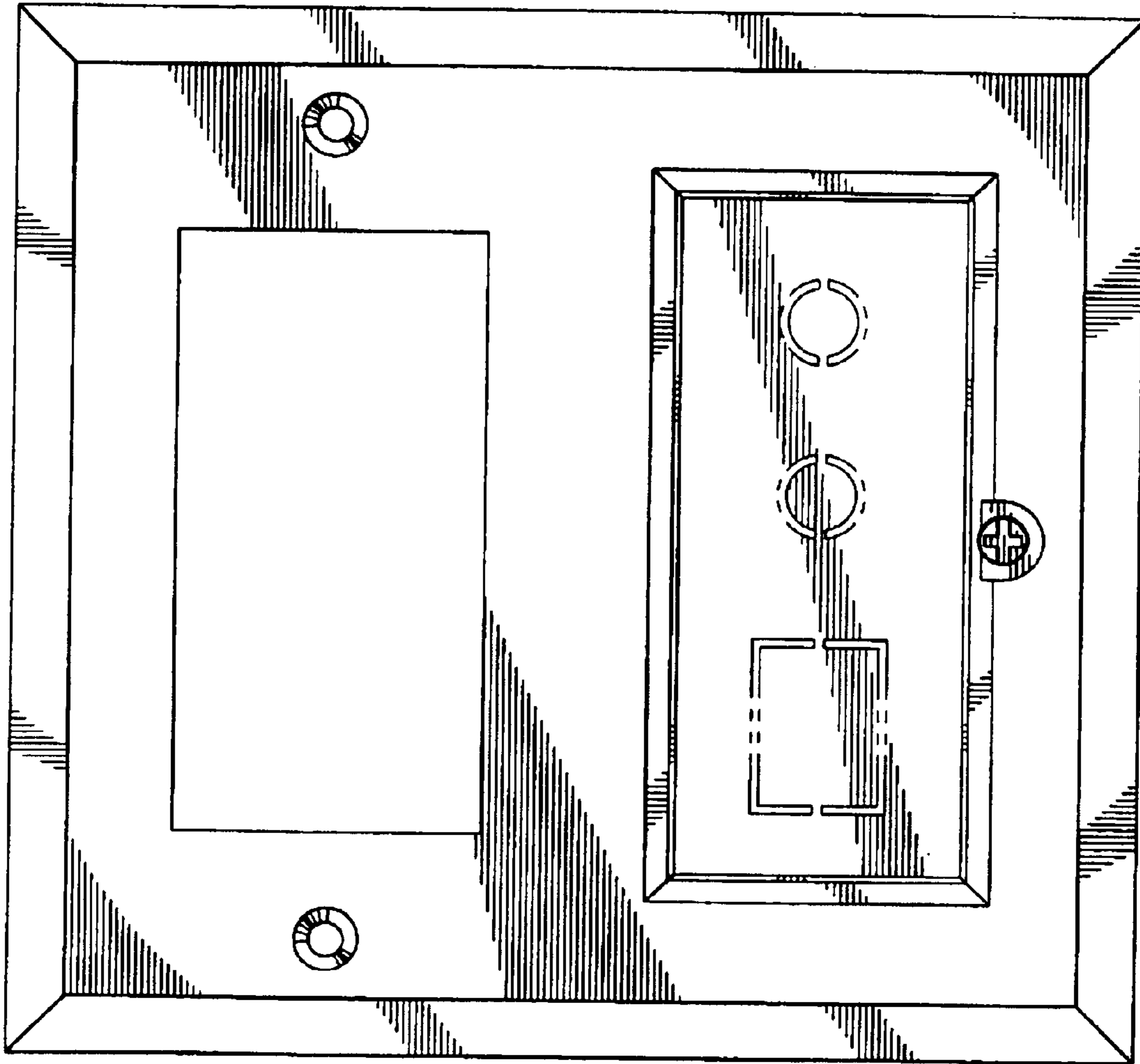


FIG. 3

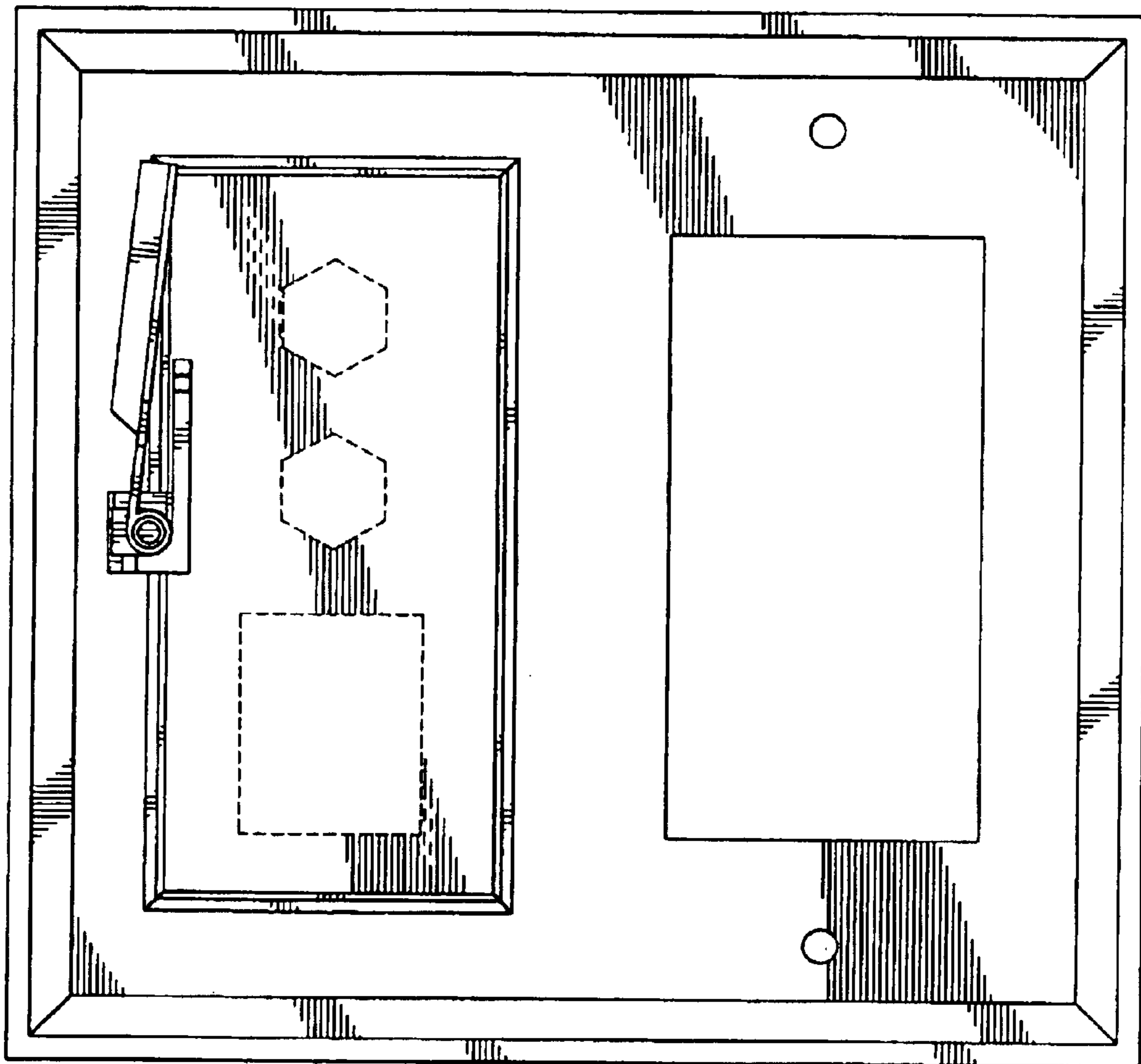


FIG. 4

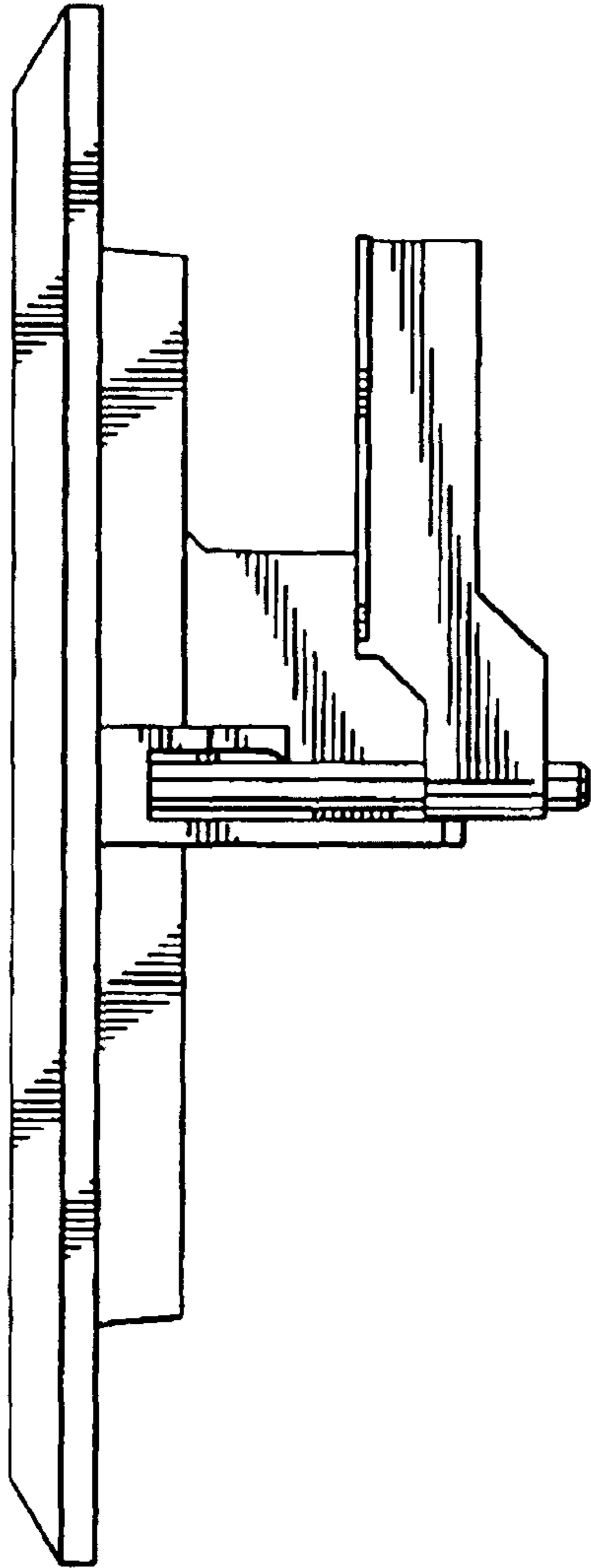


FIG. 5

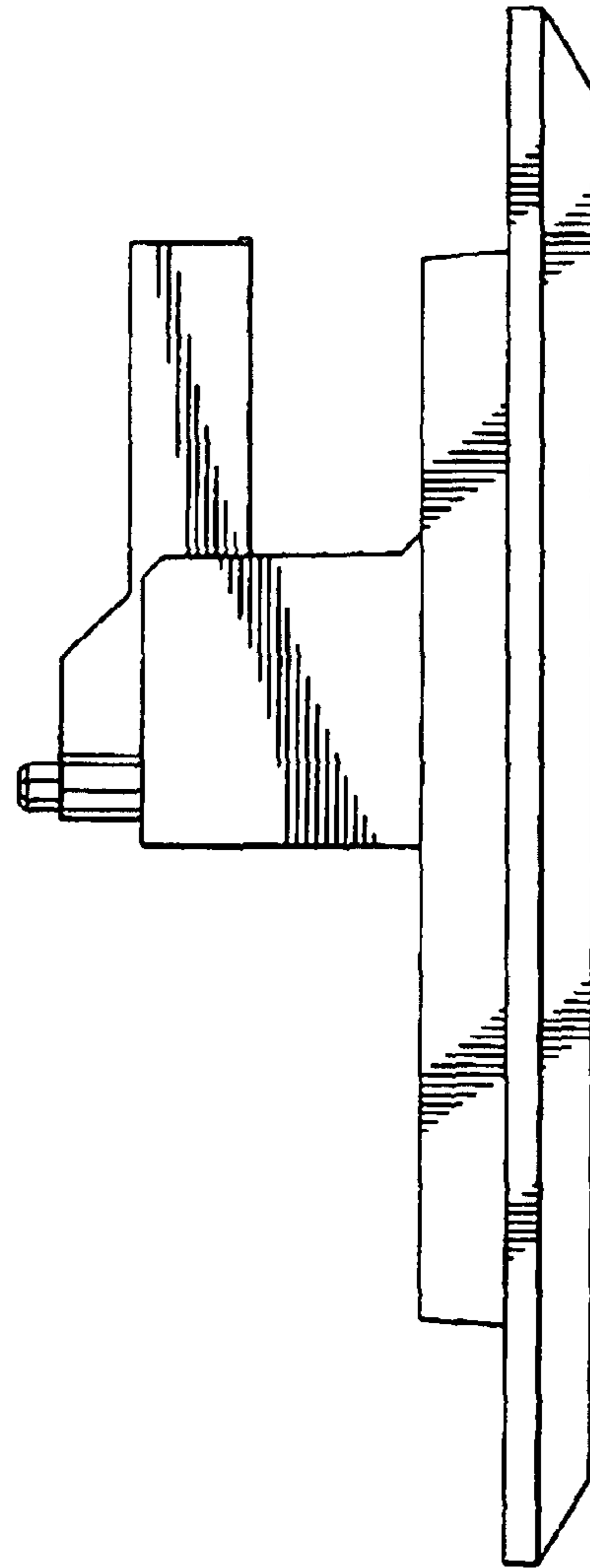


FIG. 6



FIG. 7

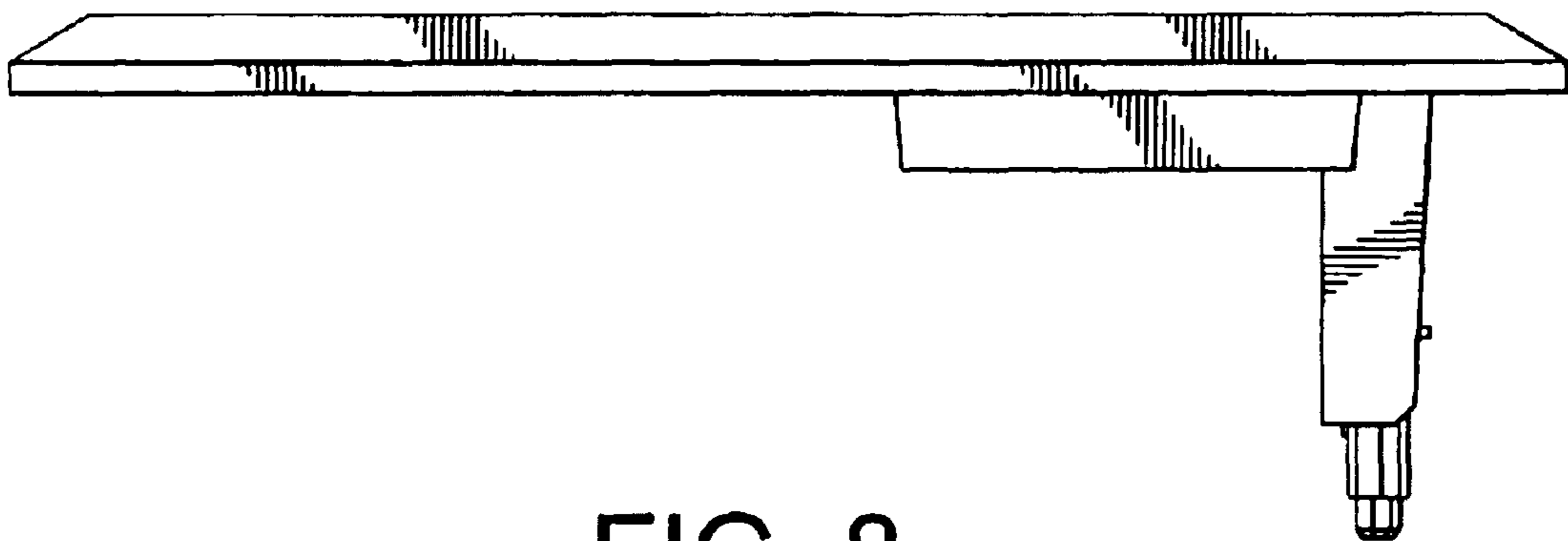


FIG. 8