

US00D544780S

(12) **United States Design Patent**  
**Rimer, Jr.**

(10) **Patent No.:** **US D544,780 S**  
(45) **Date of Patent:** **\*\* Jun. 19, 2007**

(54) **ONE-WAY KEYED AND RATCHETED TENSIONING DEVICE WITH SIDE RELEASE ACTION**

(76) Inventor: **Elmer Carlton Rimer, Jr.**, 2907 - 29<sup>th</sup> Ave. East, Bradenton, FL (US) 34208

(\*\*) Term: **14 Years**

(21) Appl. No.: **29/235,336**

(22) Filed: **Jul. 29, 2005**

(51) **LOC (8) Cl.** ..... **08-07**

(52) **U.S. Cl.** ..... **D8/331**

(58) **Field of Classification Search** ..... D8/330-348, D8/394-395, 356-359, 383; D11/218; 410/96-103; 242/372, 375.3, 107-107.7

See application file for complete search history.

(56) **References Cited**

**U.S. PATENT DOCUMENTS**

|           |    |   |         |                |       |           |
|-----------|----|---|---------|----------------|-------|-----------|
| 3,377,044 | A  | * | 4/1968  | Jackson et al. | ..... | 410/96    |
| 4,088,281 | A  | * | 5/1978  | Close          | ..... | 242/375.3 |
| 4,301,977 | A  | * | 11/1981 | Yang           | ..... | 242/375.3 |
| 5,494,387 | A  | * | 2/1996  | Ruegg          | ..... | 410/103   |
| 5,762,455 | A  | * | 6/1998  | Long           | ..... | 410/100   |
| D435,438  | S  | * | 12/2000 | West           | ..... | D8/383    |
| 6,513,746 | B2 | * | 2/2003  | Katoh          | ..... | 242/372   |
| D492,586  | S  | * | 7/2004  | Rimer, Jr.     | ..... | D8/393    |

\* cited by examiner

*Primary Examiner*—Mitchell Siegel

(74) *Attorney, Agent, or Firm*—Dorothy S. Morse

(57) **CLAIM**

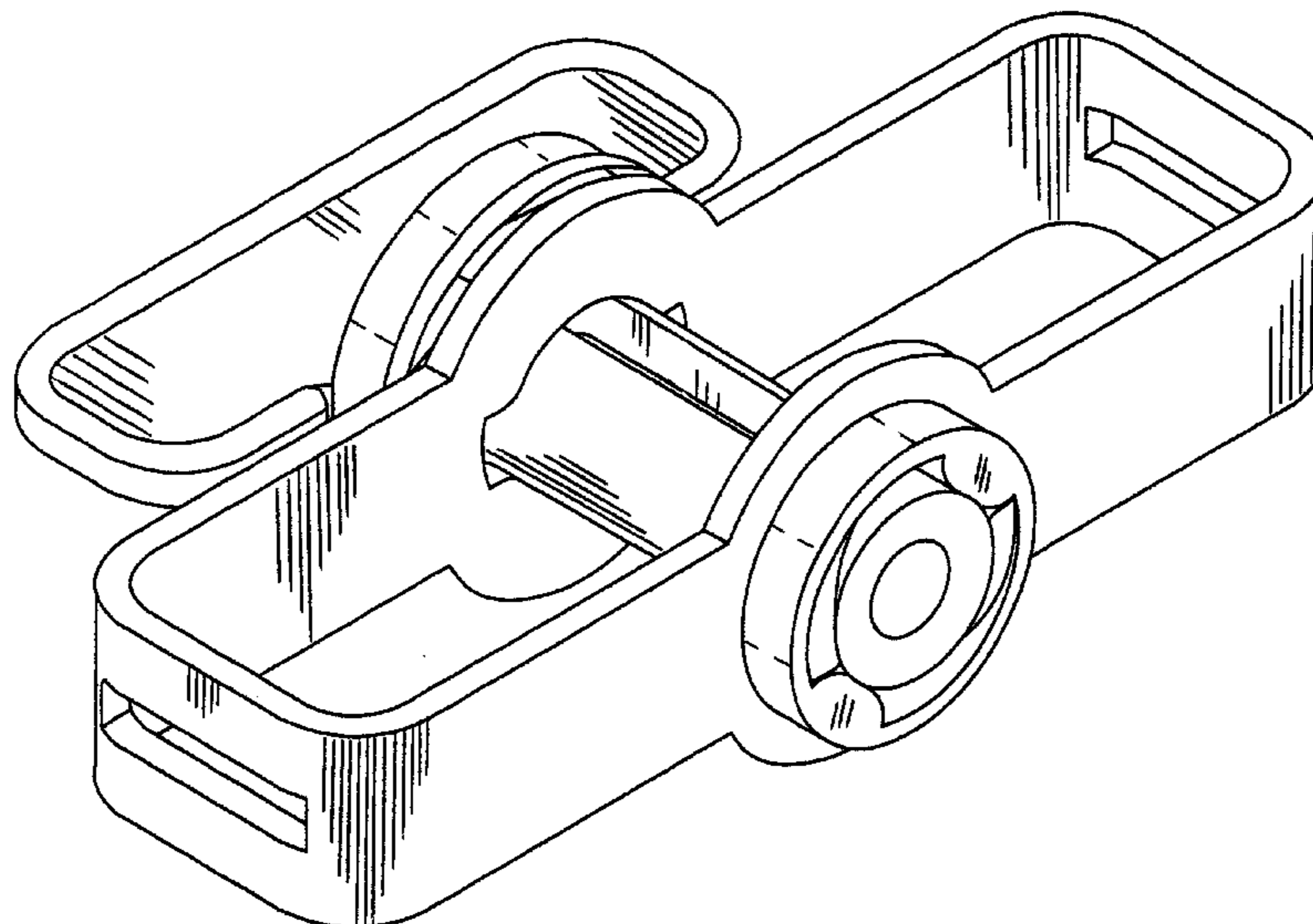
The ornamental design for a one-way keyed and ratcheted tensioning device with side release action, as shown herein.

**DESCRIPTION**

FIG. 1 is a perspective view of the invention; the broken line showing of the strap is included for the purpose of illustrating and forms no part of the claimed design;

FIG. 2 is a perspective view of the invention;  
 FIG. 3 is an exploded view of the invention;  
 FIG. 4 is a perspective view of the key portion of the invention, shown separately for clarity of illustration;  
 FIG. 5 is a front view of the key of FIG. 4;  
 FIG. 6 is a left side view of the key of FIG. 4;  
 FIG. 7 is a top view of the key of FIG. 4;  
 FIG. 8 is a back view of the key of FIG. 4;  
 FIG. 9 is a bottom view of the key of FIG. 4;  
 FIG. 10 is a right side view of the key of FIG. 4;  
 FIG. 11 is a perspective view of the ratcheted portion of the invention, shown separately for clarity of illustration;  
 FIG. 12 is a side view of the ratcheted portion of FIG. 11;  
 FIG. 13 is a side view of the ratcheted portion of FIG. 11;  
 FIG. 14 is a top view of the ratcheted portion of FIG. 11;  
 FIG. 15 is a bottom view of the ratcheted portion of FIG. 11;  
 FIG. 16 is a side view of the ratcheted portion of FIG. 11;  
 FIG. 17 is a side view of the ratcheted portion of FIG. 11;  
 FIG. 18 is a perspective view of the frame portion of the invention, shown separately for clarity of illustration;  
 FIG. 19 is an end view of the frame portion of FIG. 18;  
 FIG. 20 is an opposite end view of the frame portion FIG. 18;  
 FIG. 21 is a top view of the frame portion of FIG. 18;  
 FIG. 22 is a bottom view of the frame portion of FIG. 18;  
 FIG. 23 is a front view of the frame portion of FIG. 18;  
 FIG. 24 is a rear view of the frame portion of FIG. 18;  
 FIG. 25 is a perspective view of the locking ring of the invention, shown separately for clarity of illustration;  
 FIG. 26 is a top view of the locking ring of FIG. 25;  
 FIG. 27 is a bottom view of the locking ring of FIG. 25;  
 FIG. 28 is a side view of the locking ring of FIG. 25;  
 FIG. 29 is a side view of the locking ring of FIG. 25;  
 FIG. 30 is a side view of the locking ring of FIG. 25; and  
 FIG. 31 is a side view of the locking ring of FIG. 25.

**1 Claim, 11 Drawing Sheets**



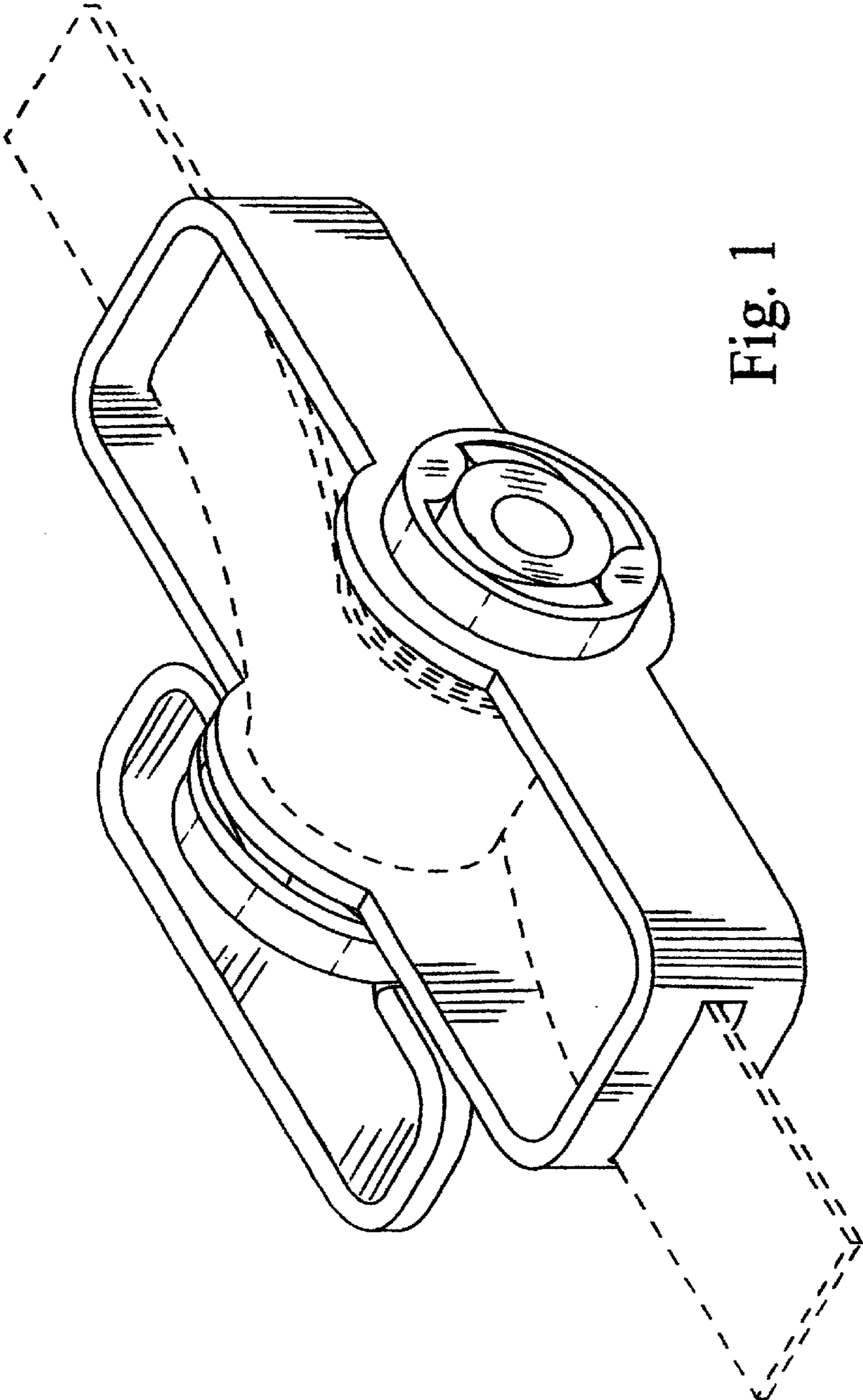


Fig. 1

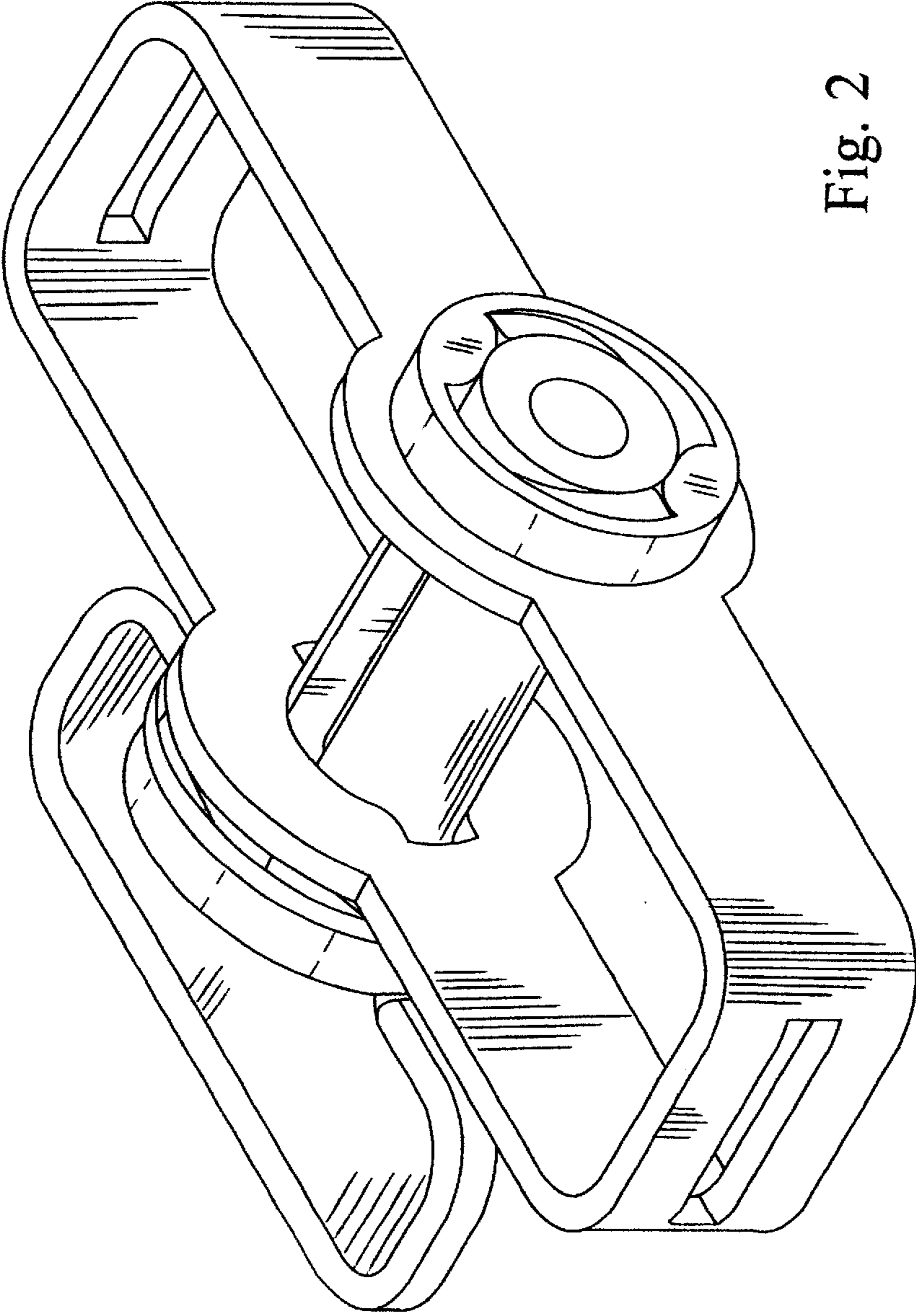


Fig. 2



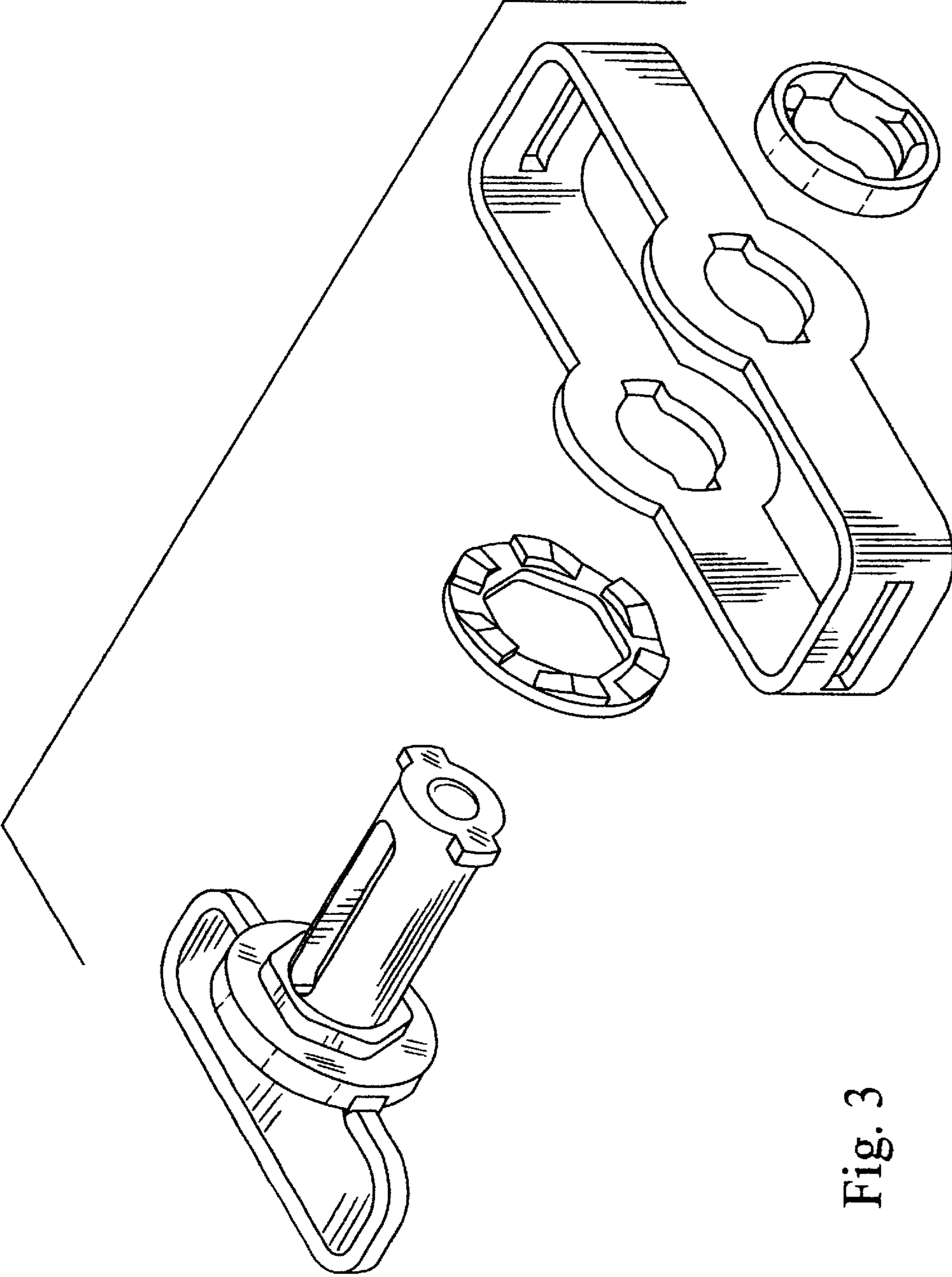


Fig. 3

Fig. 4

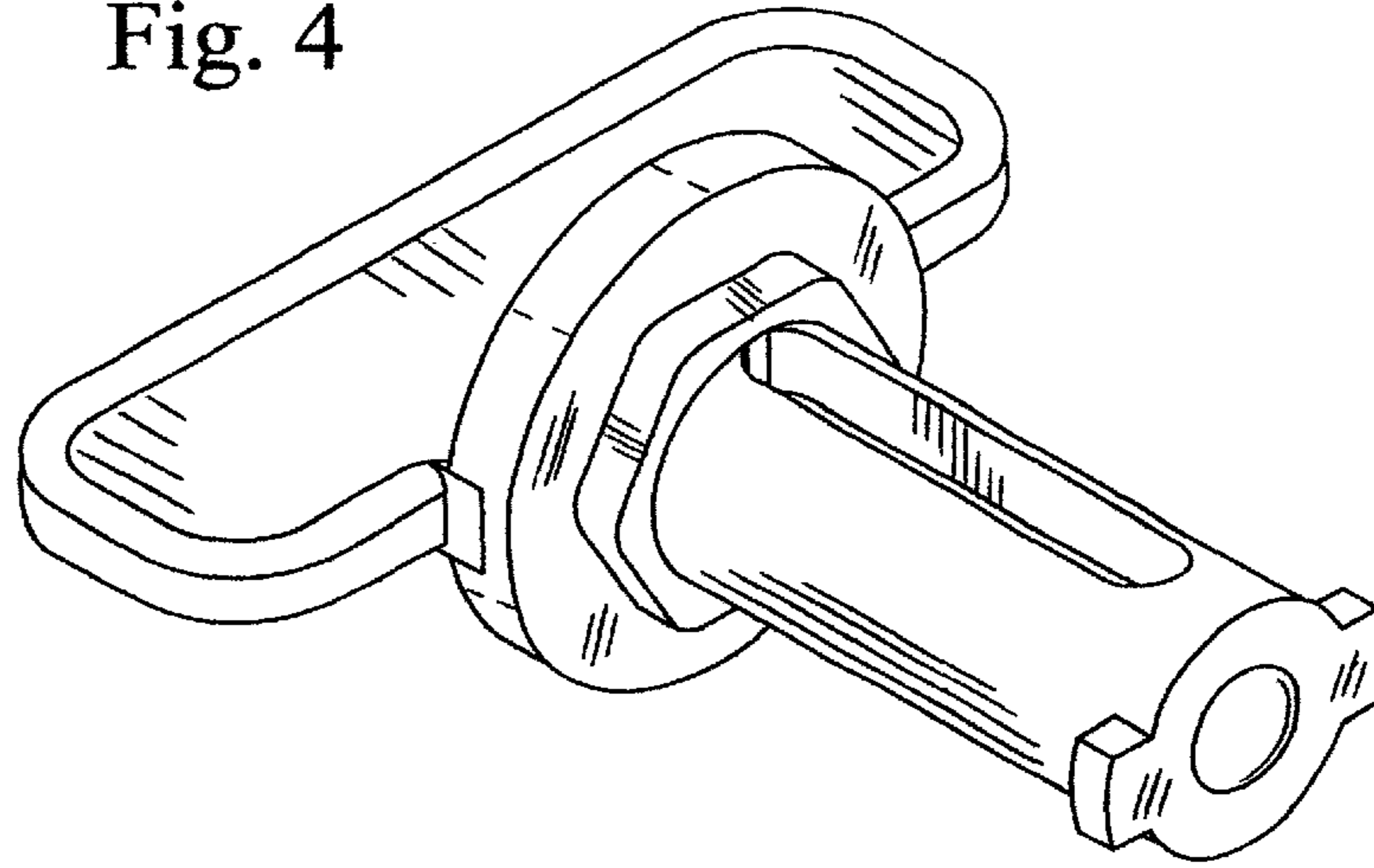


Fig. 5

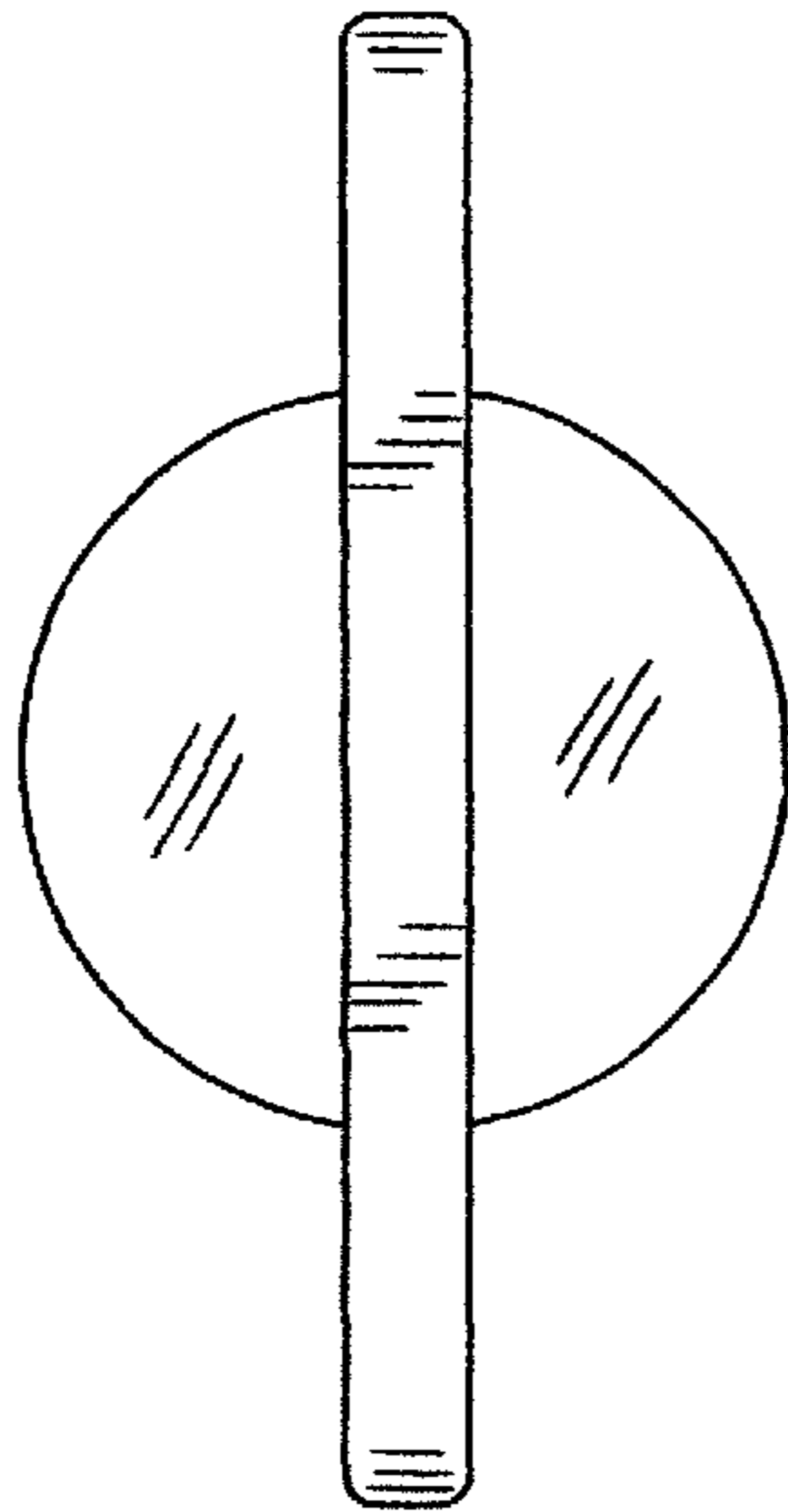
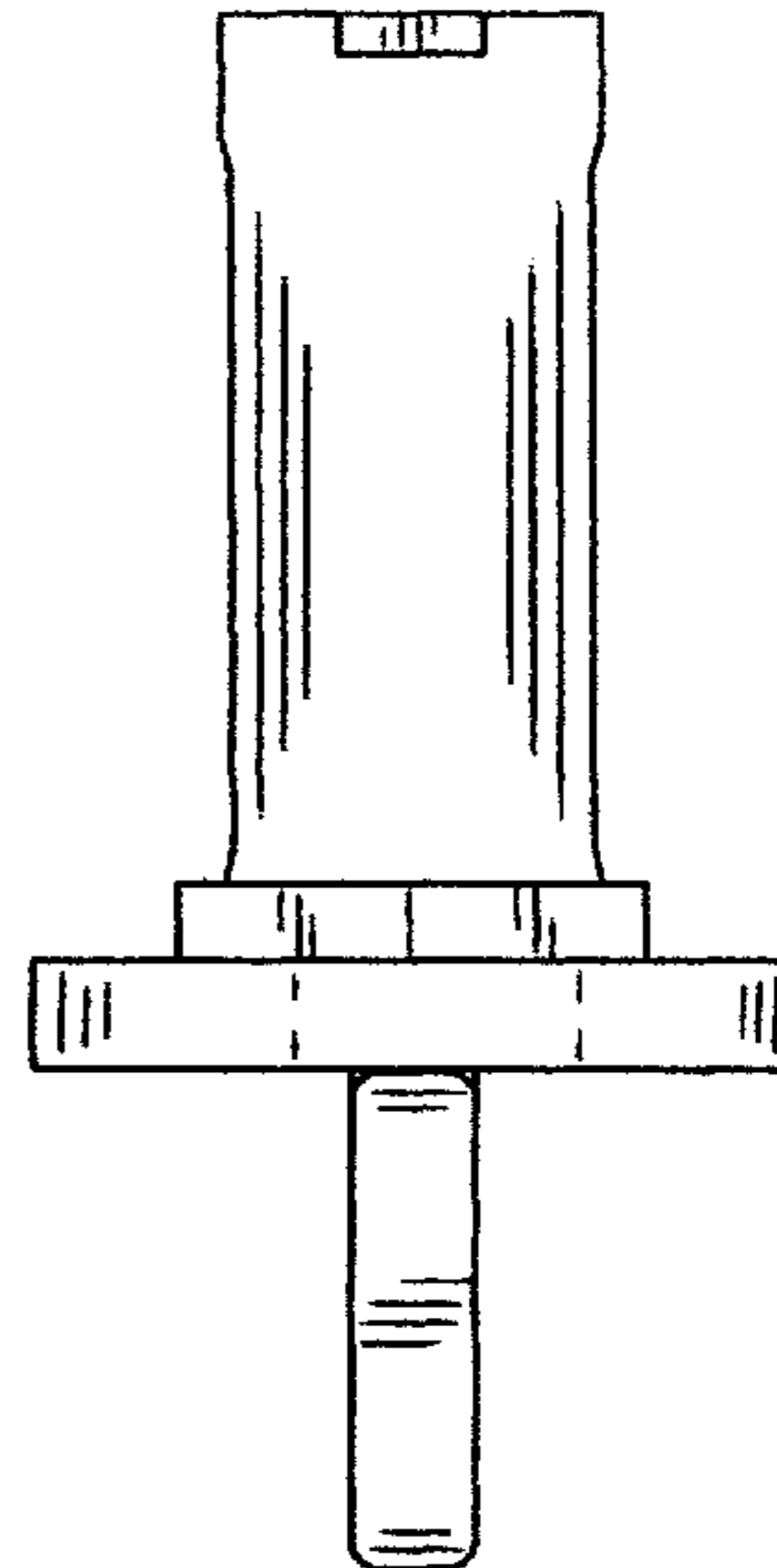


Fig. 6



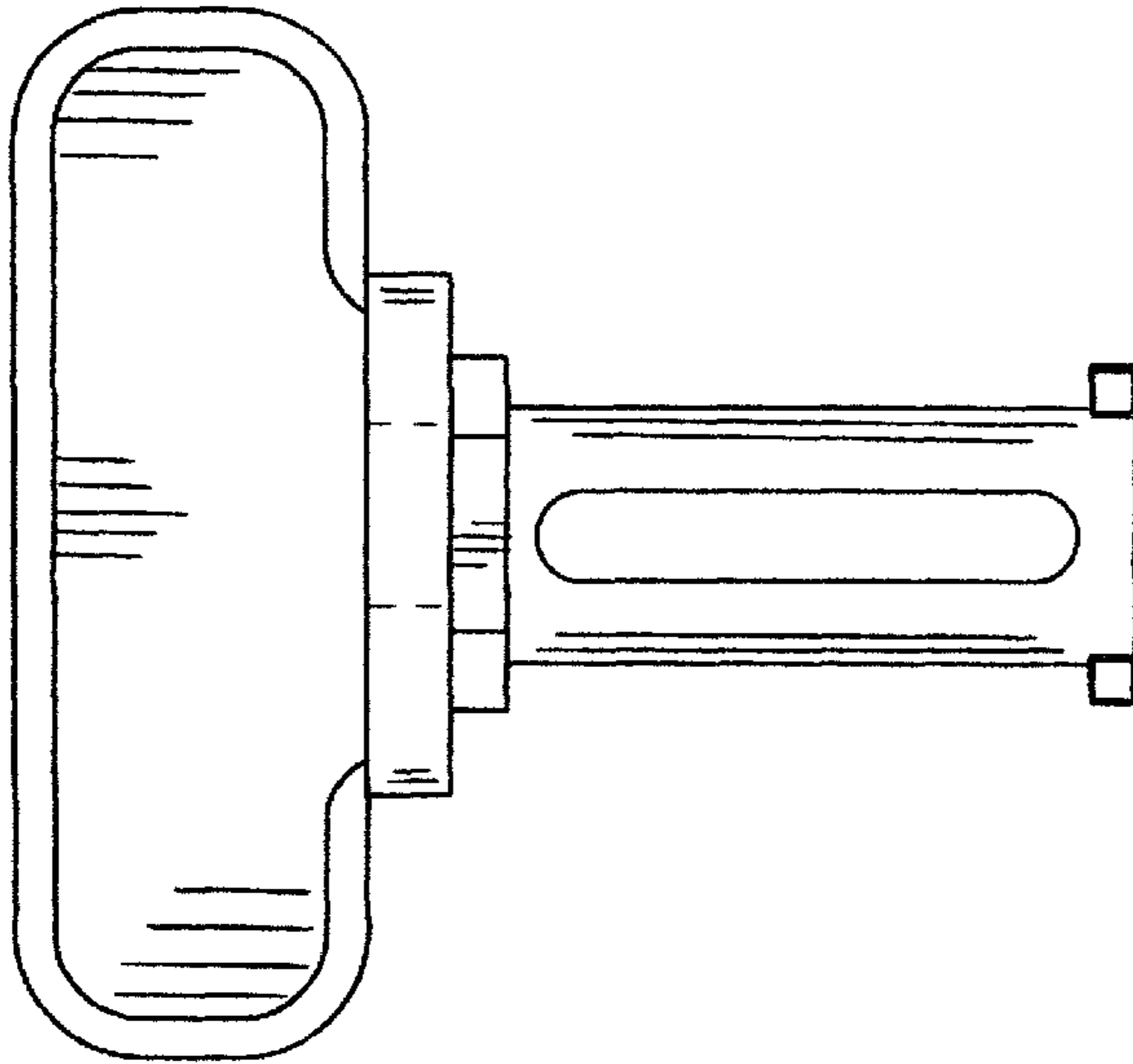


Fig. 7

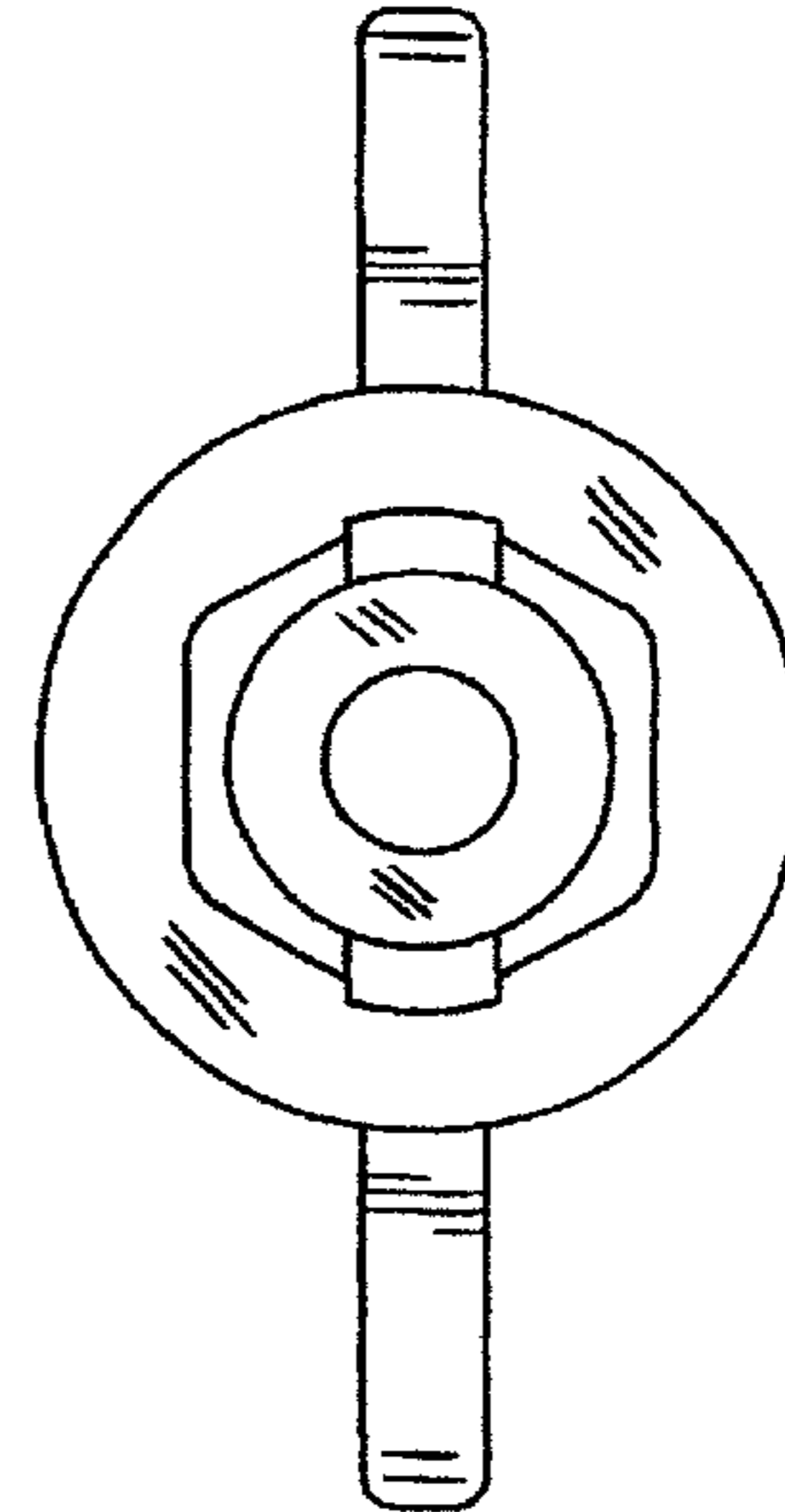


Fig. 8

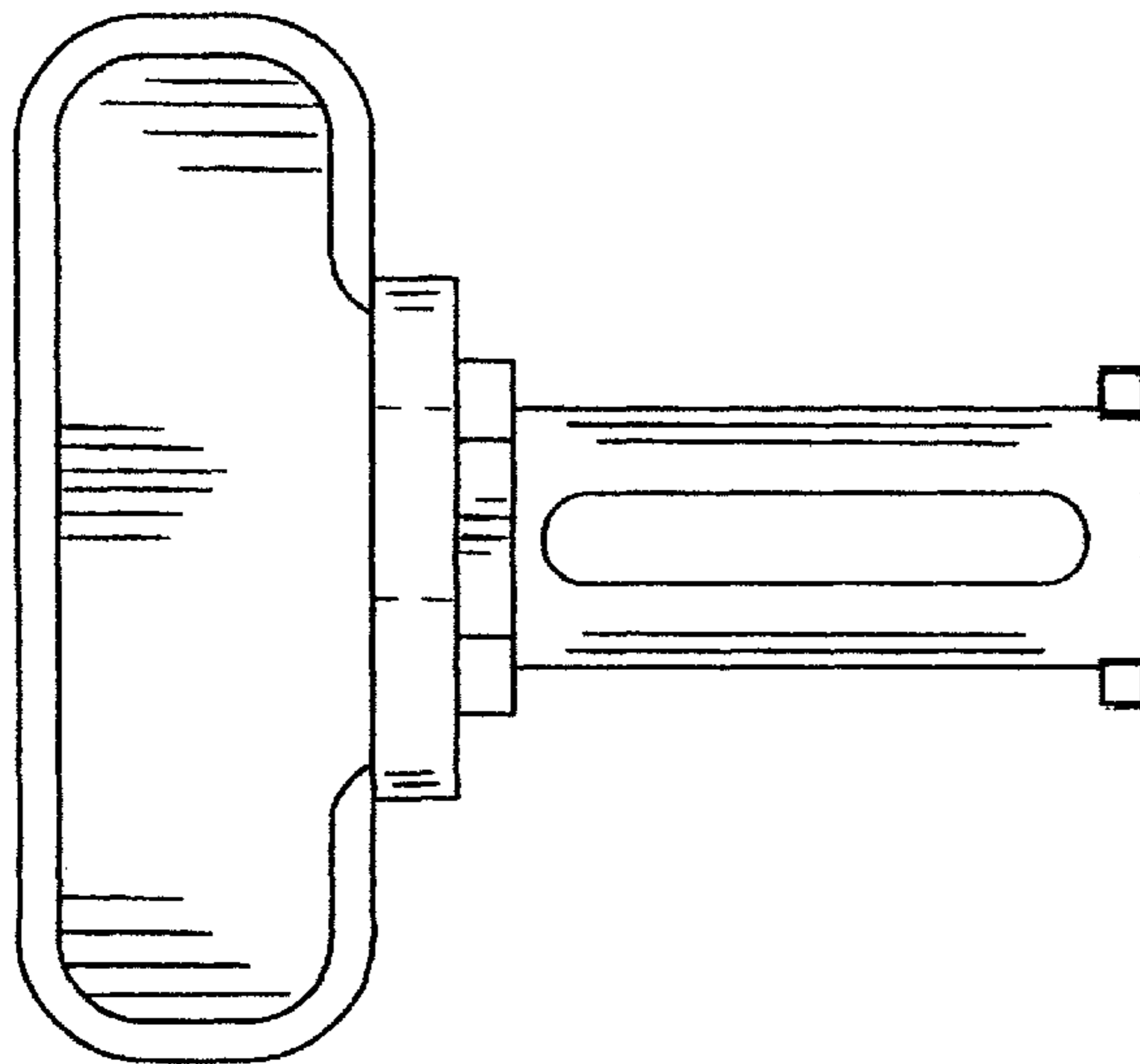


Fig. 9

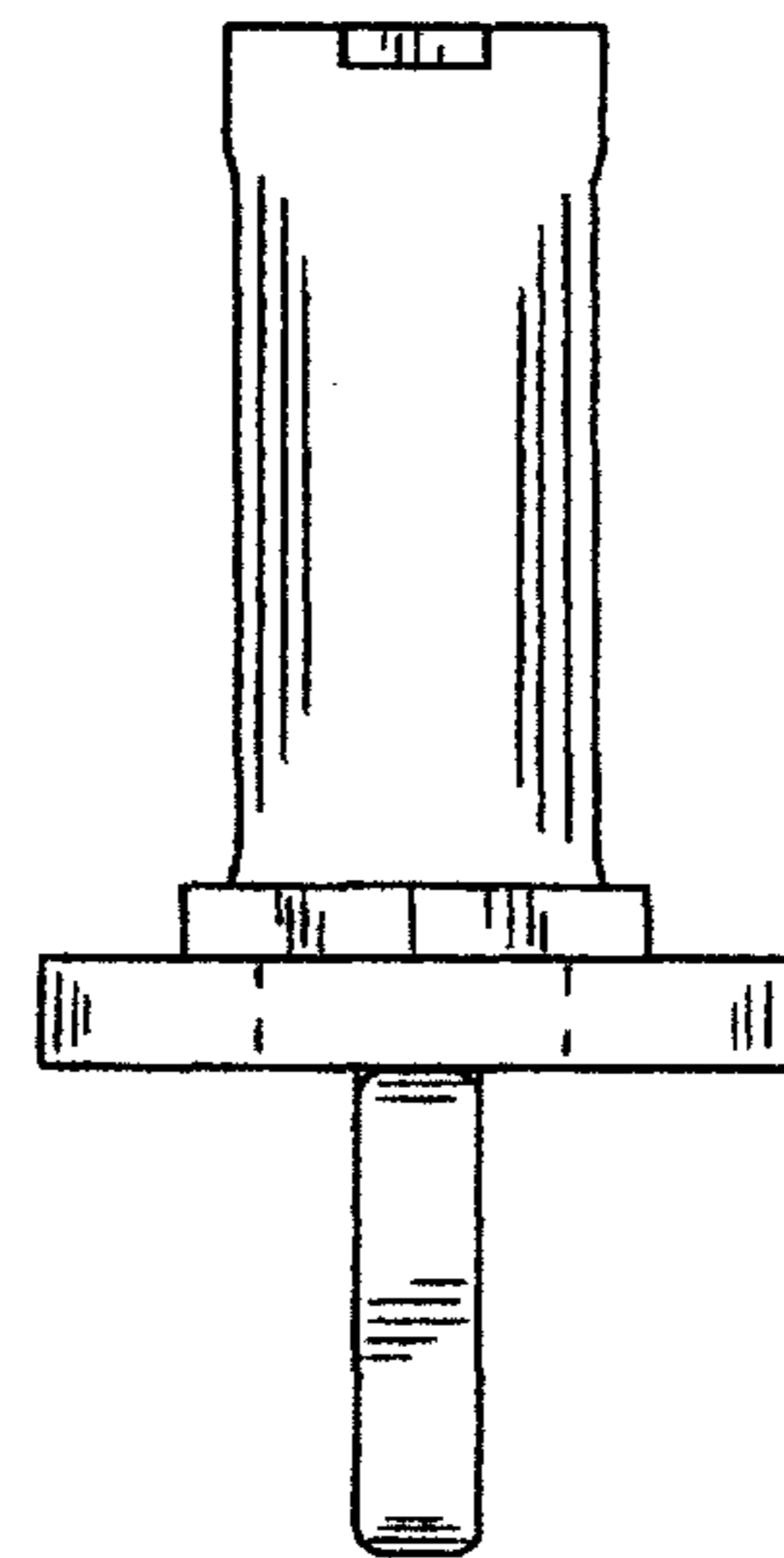


Fig. 10

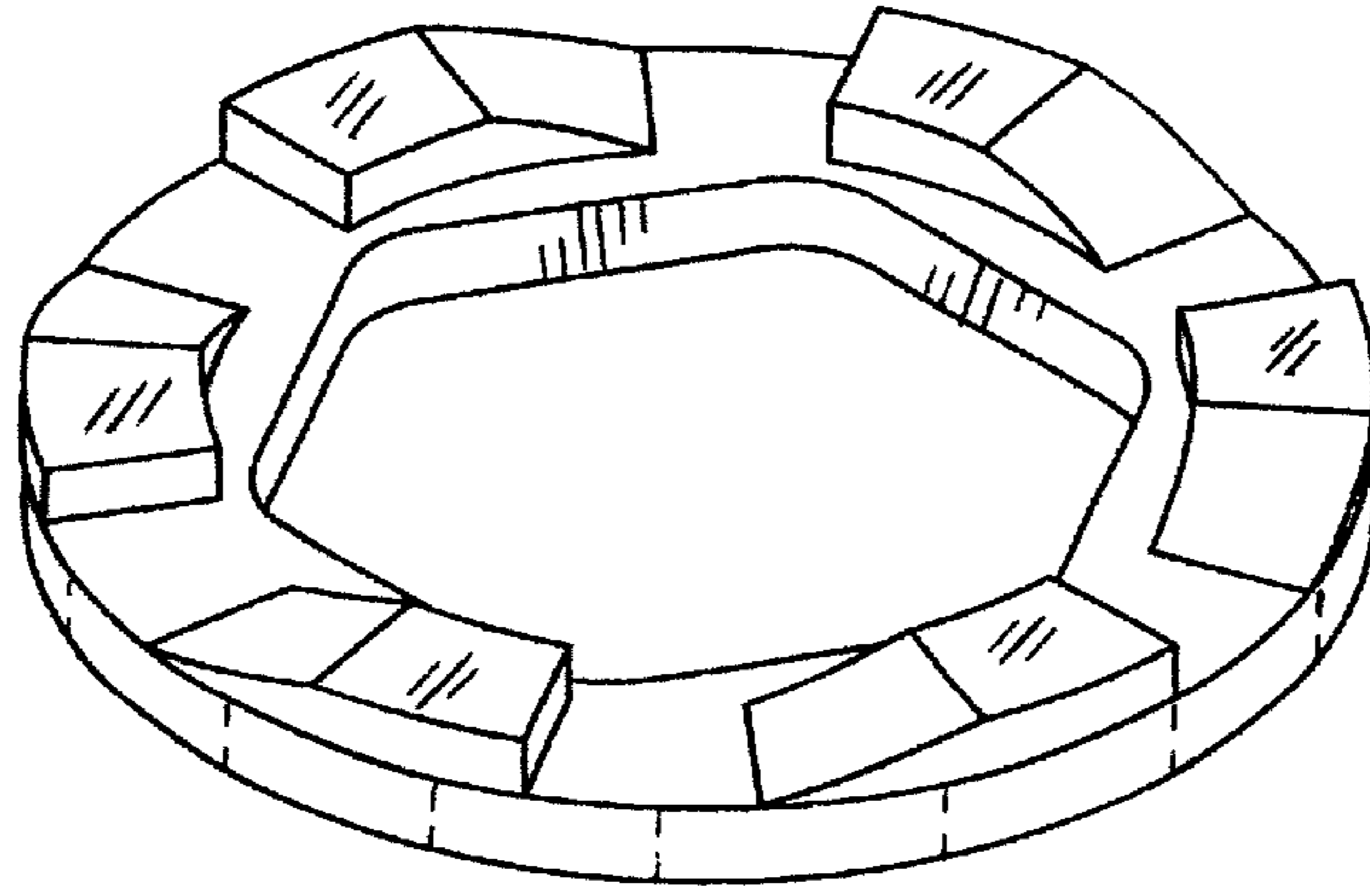


Fig. 11



Fig. 12



Fig. 13

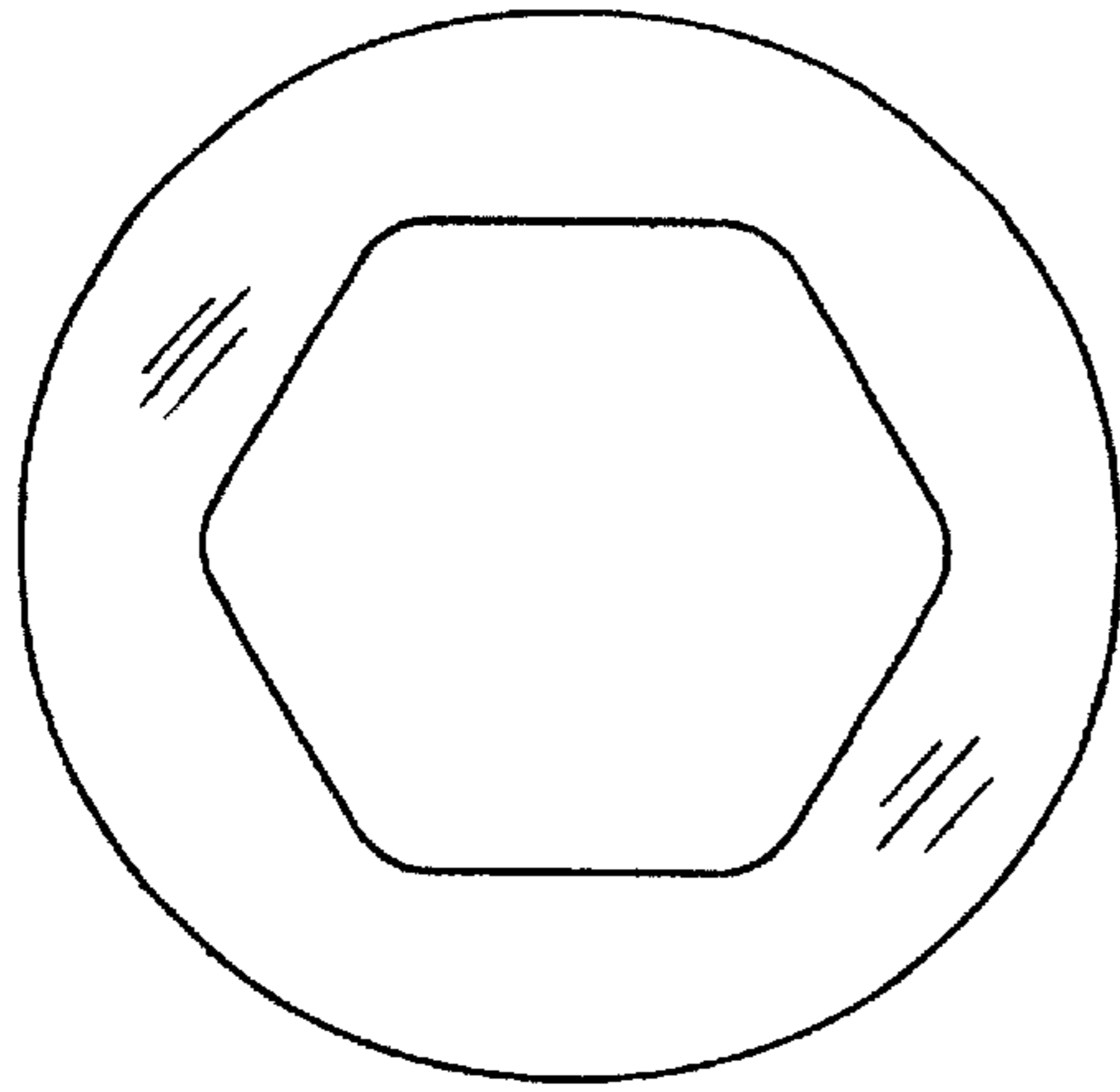


Fig. 14

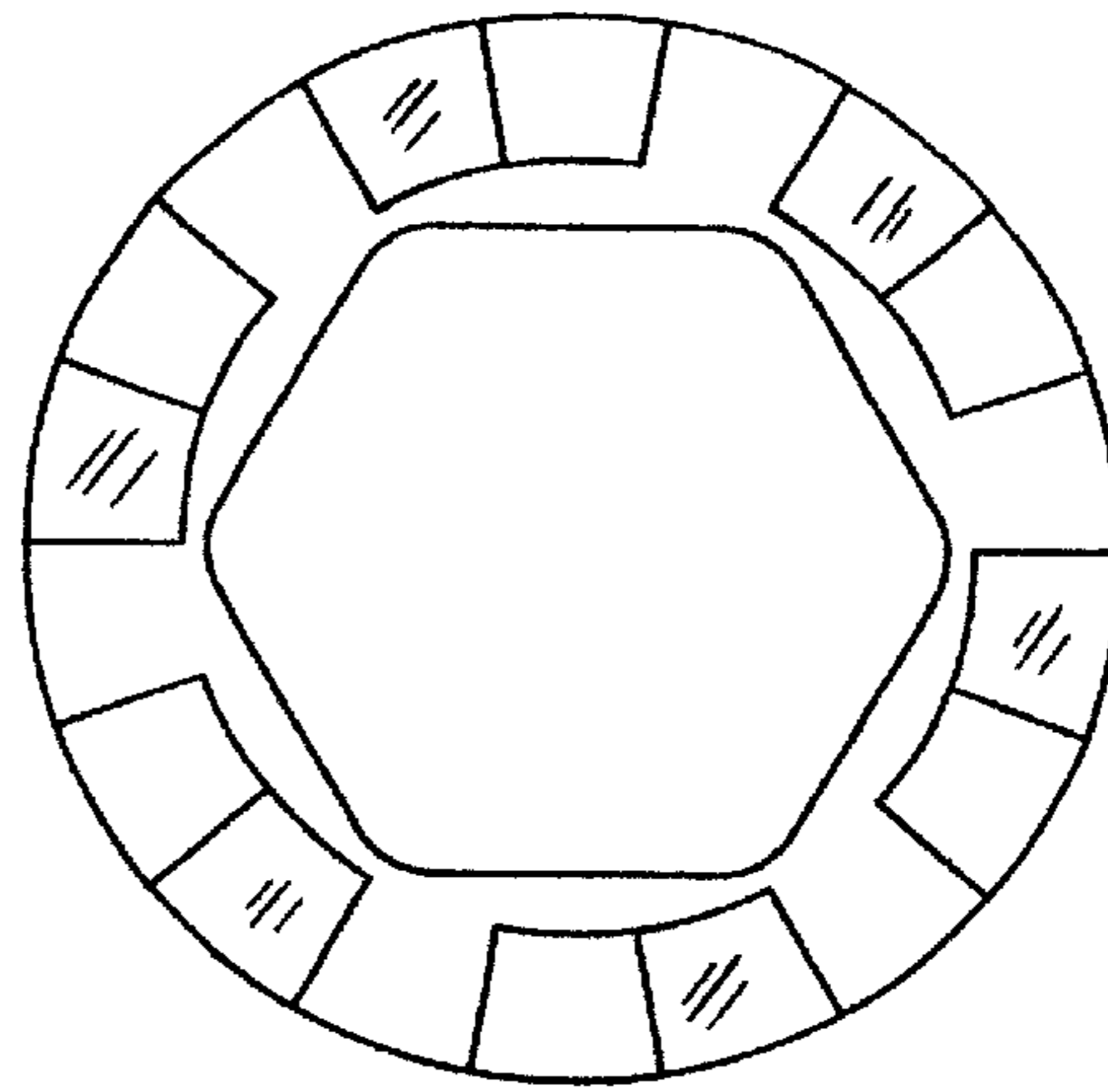


Fig. 15



Fig. 16



Fig. 17



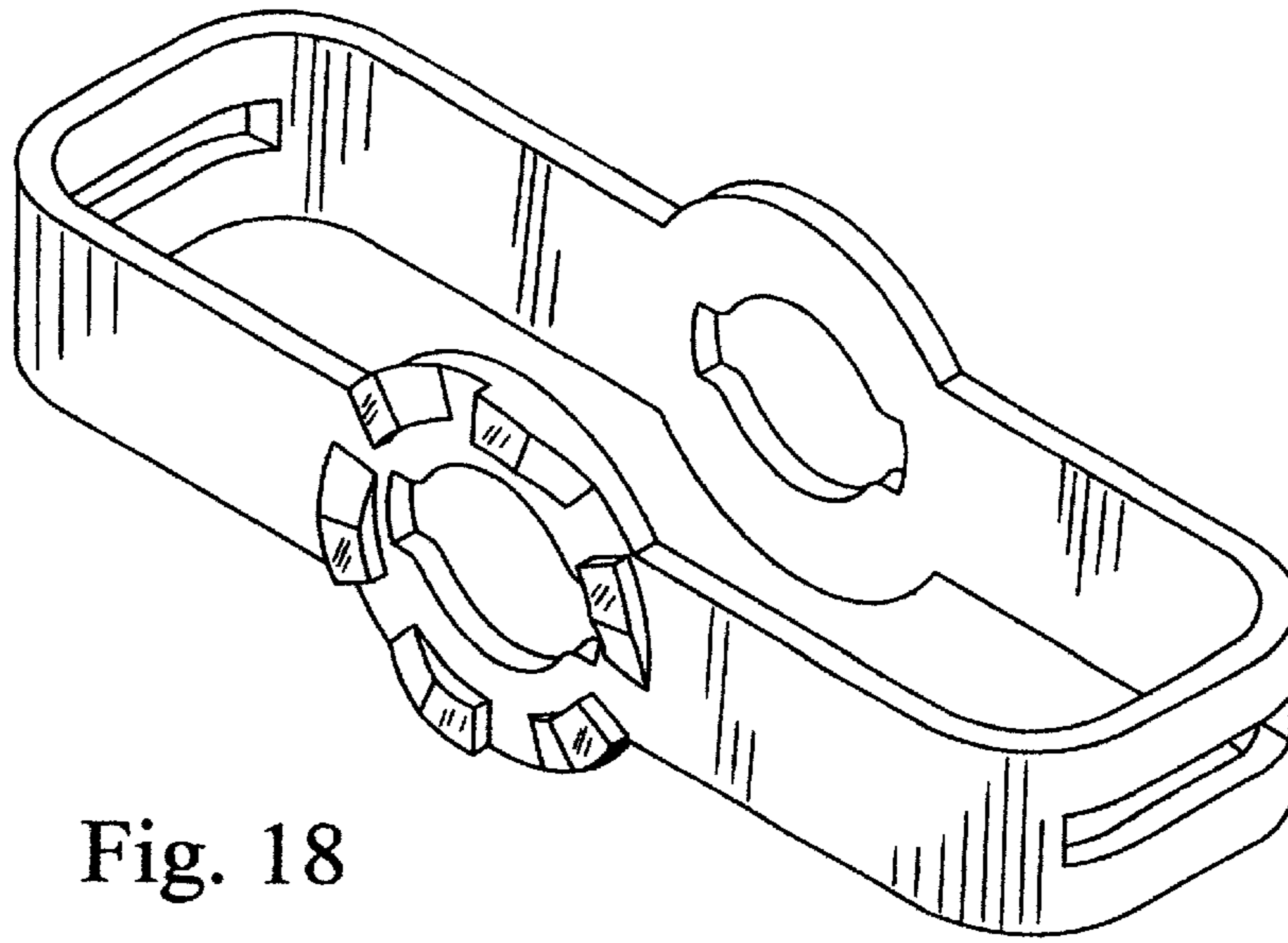


Fig. 18

Fig. 19

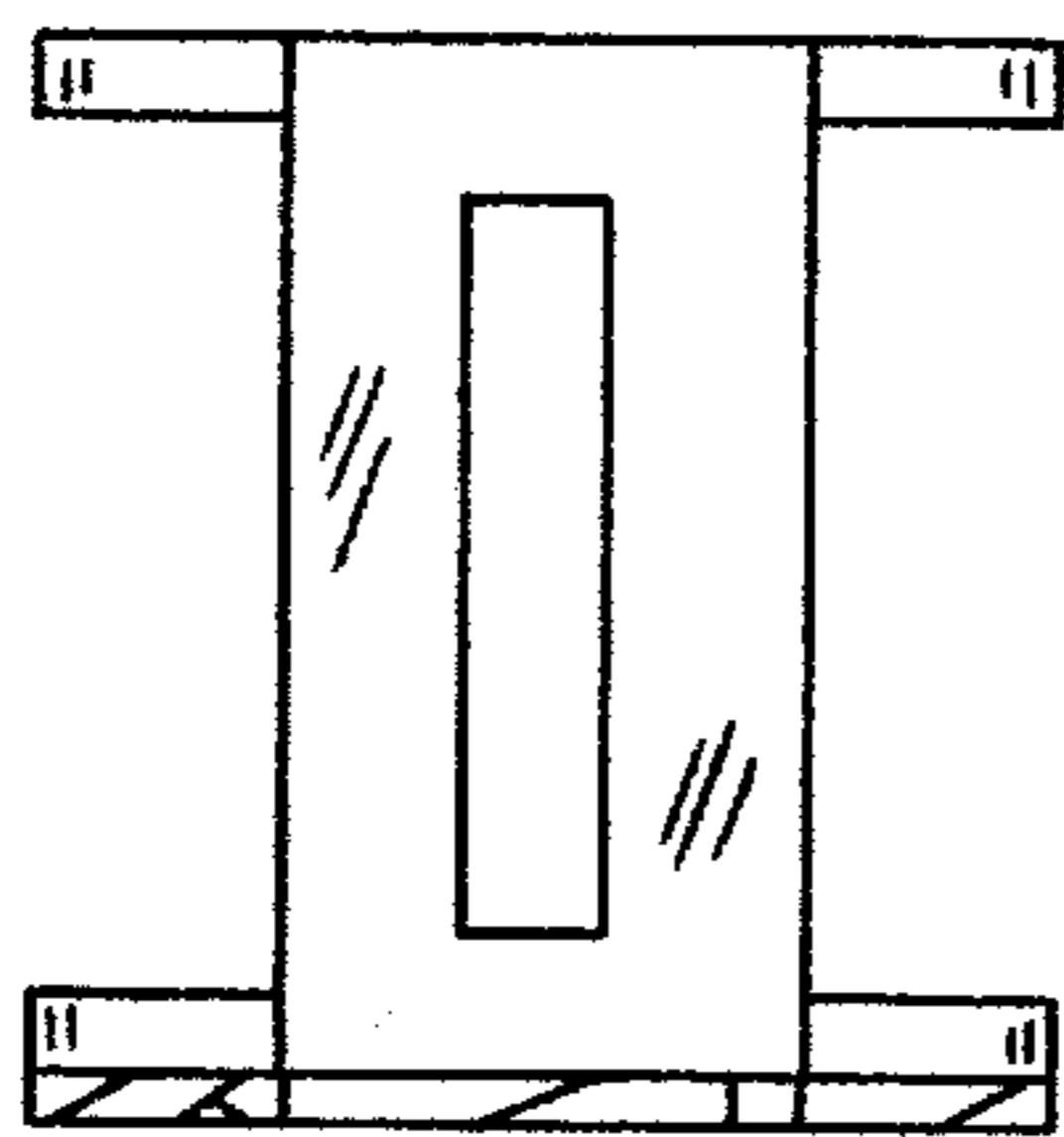


Fig. 20

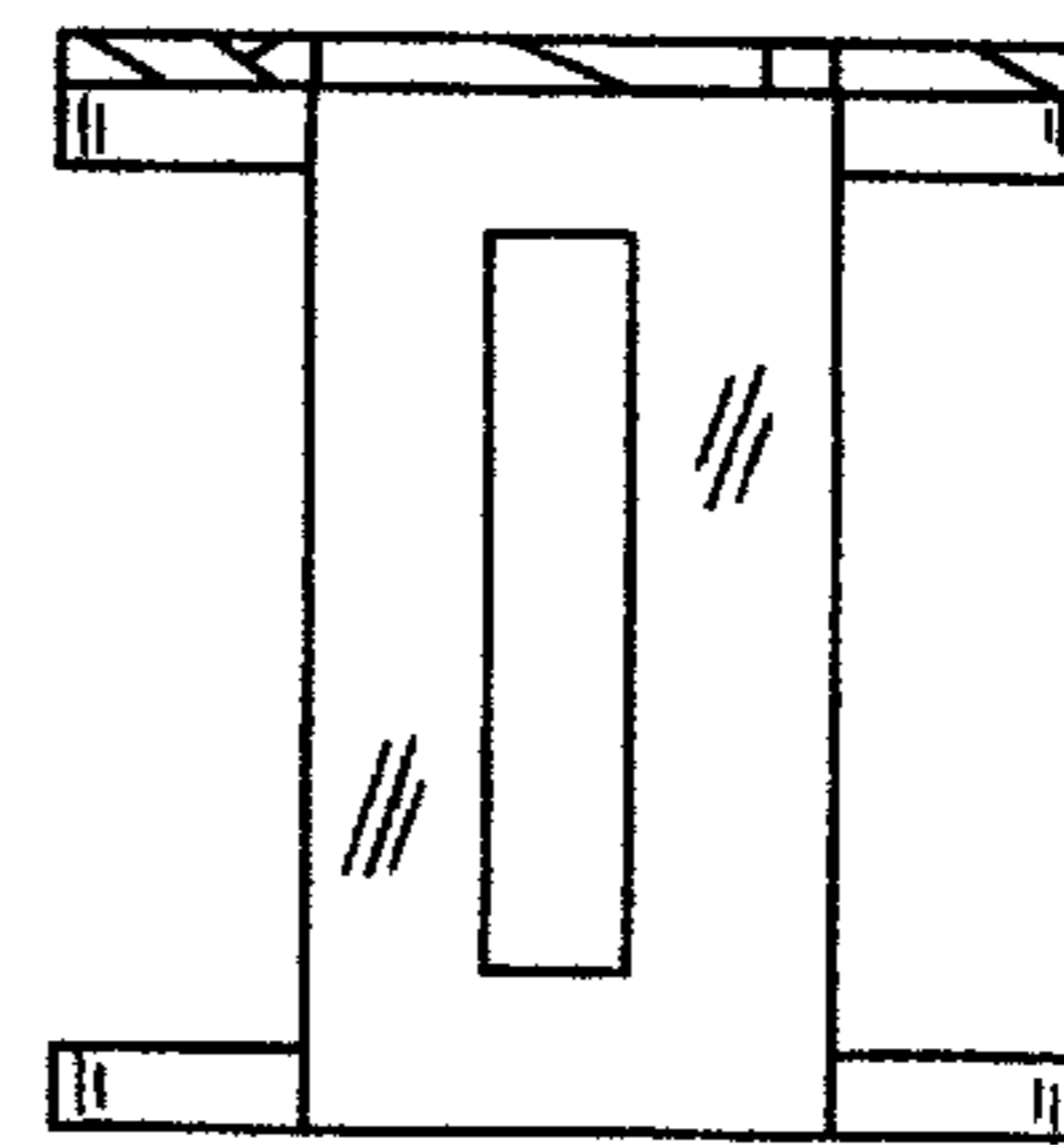


Fig. 21

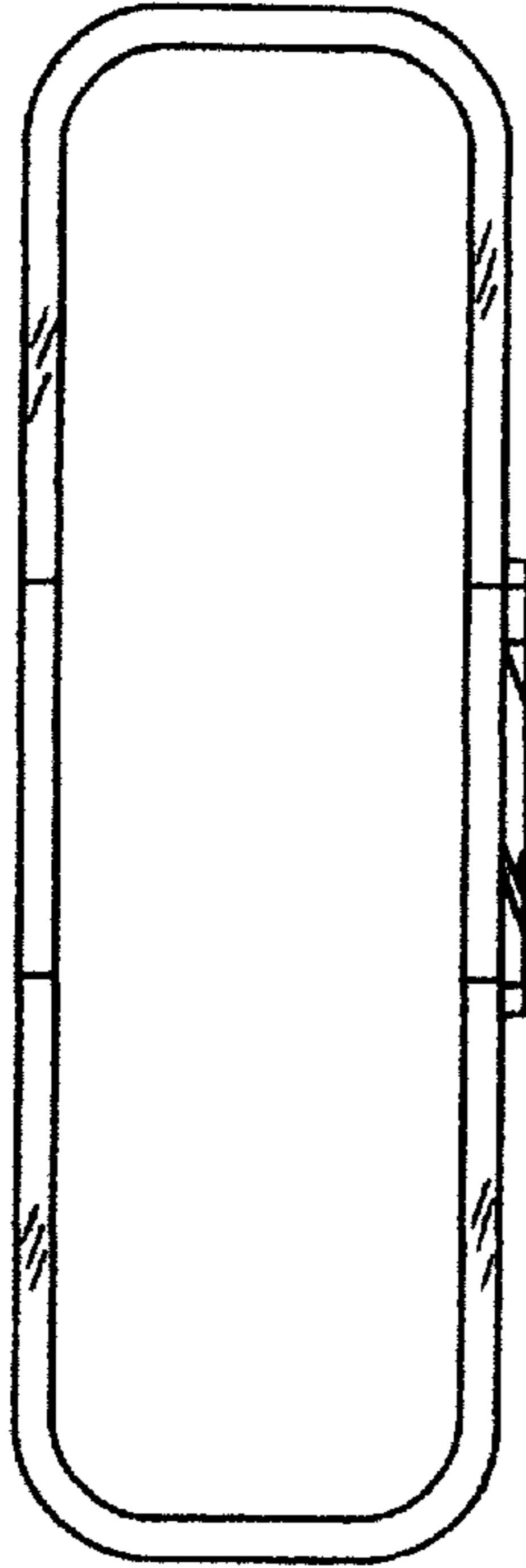


Fig. 22

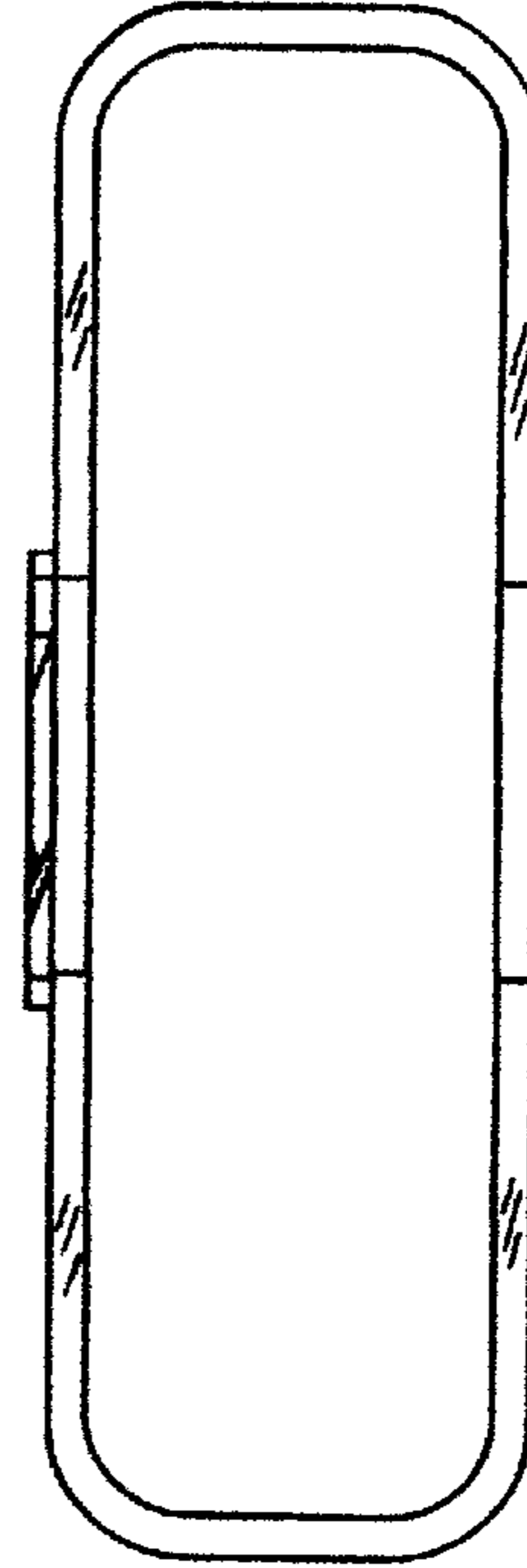


Fig. 23

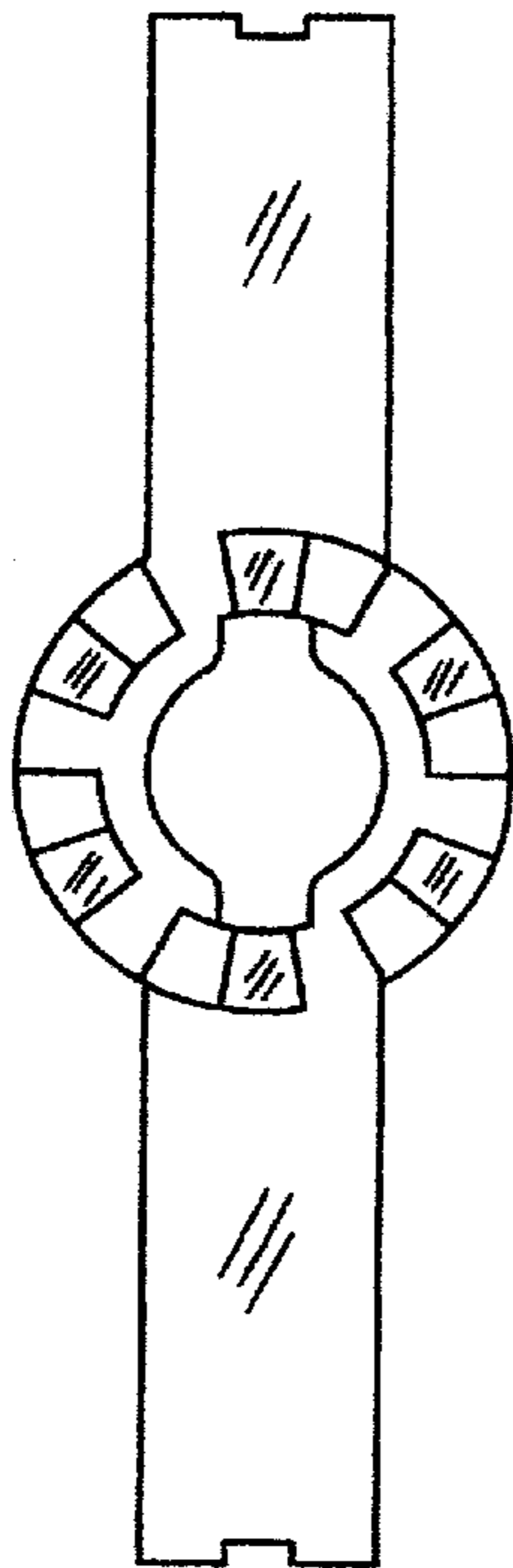


Fig. 24

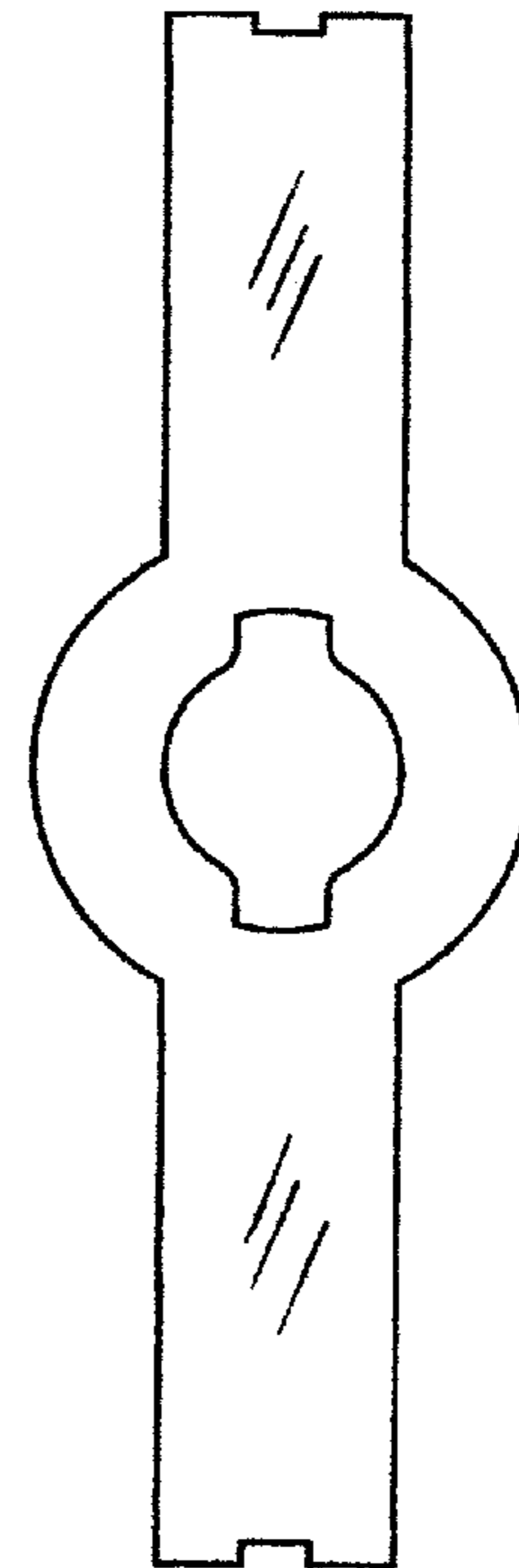


Fig. 25

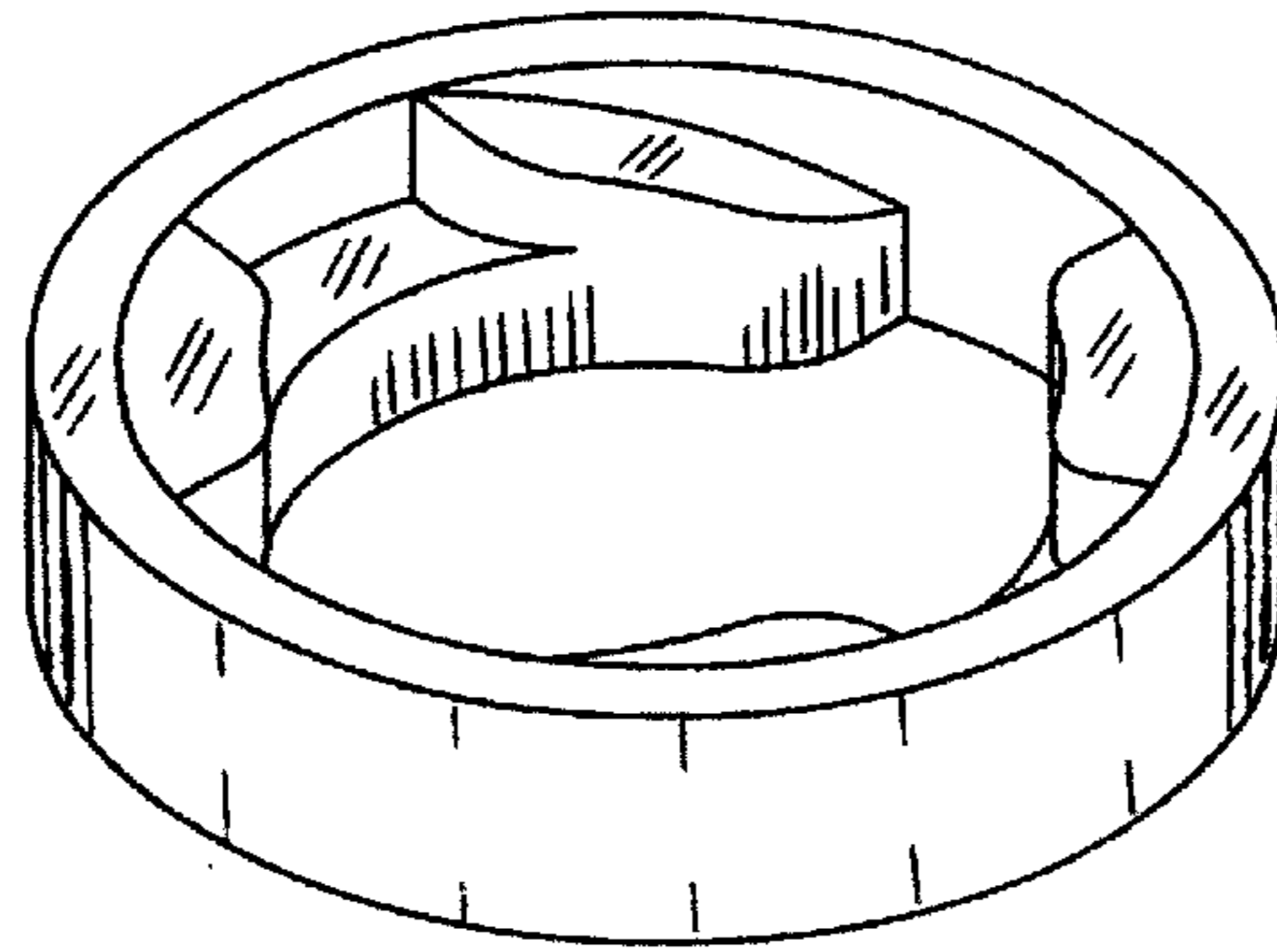


Fig. 26

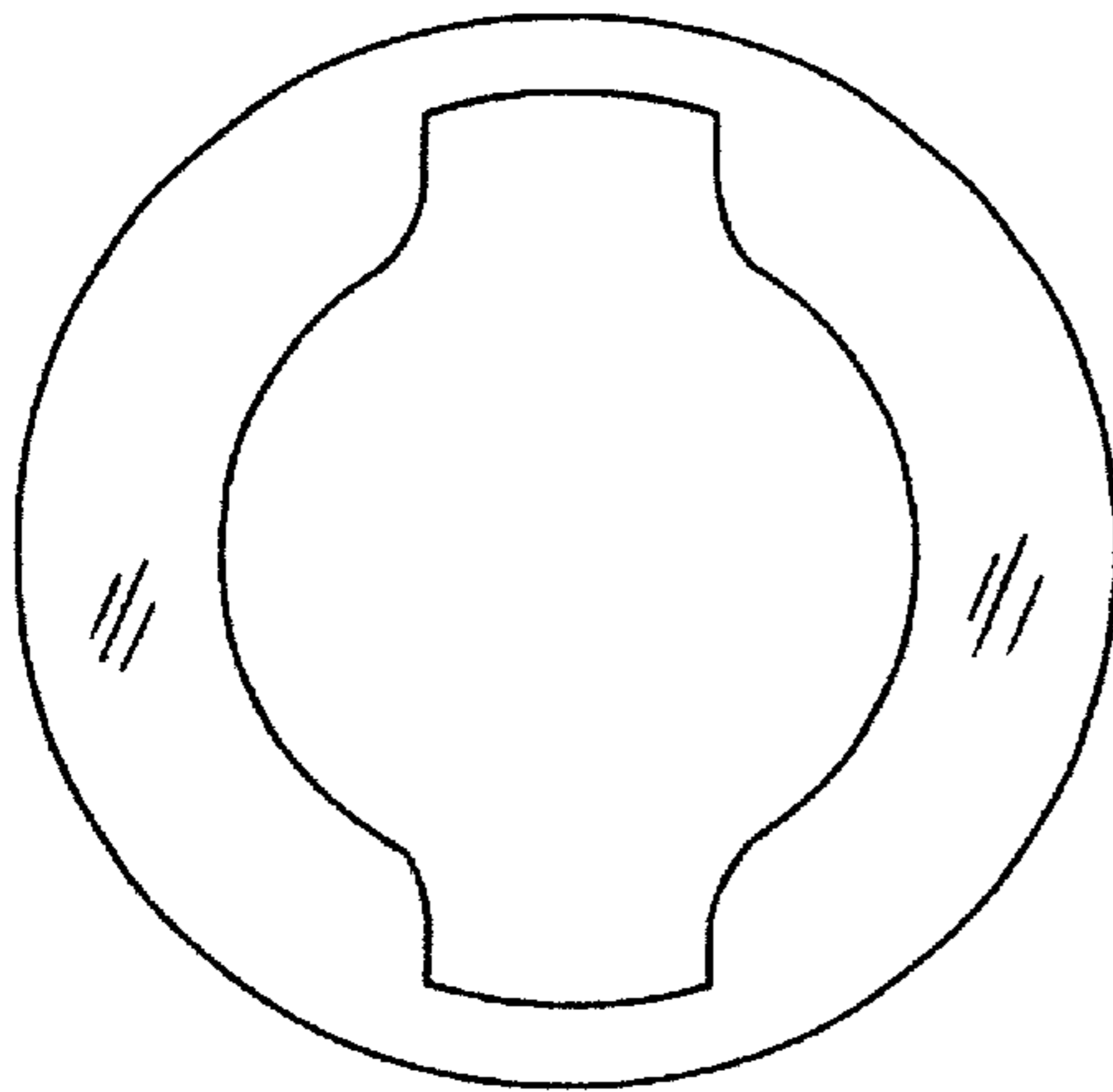


Fig. 27

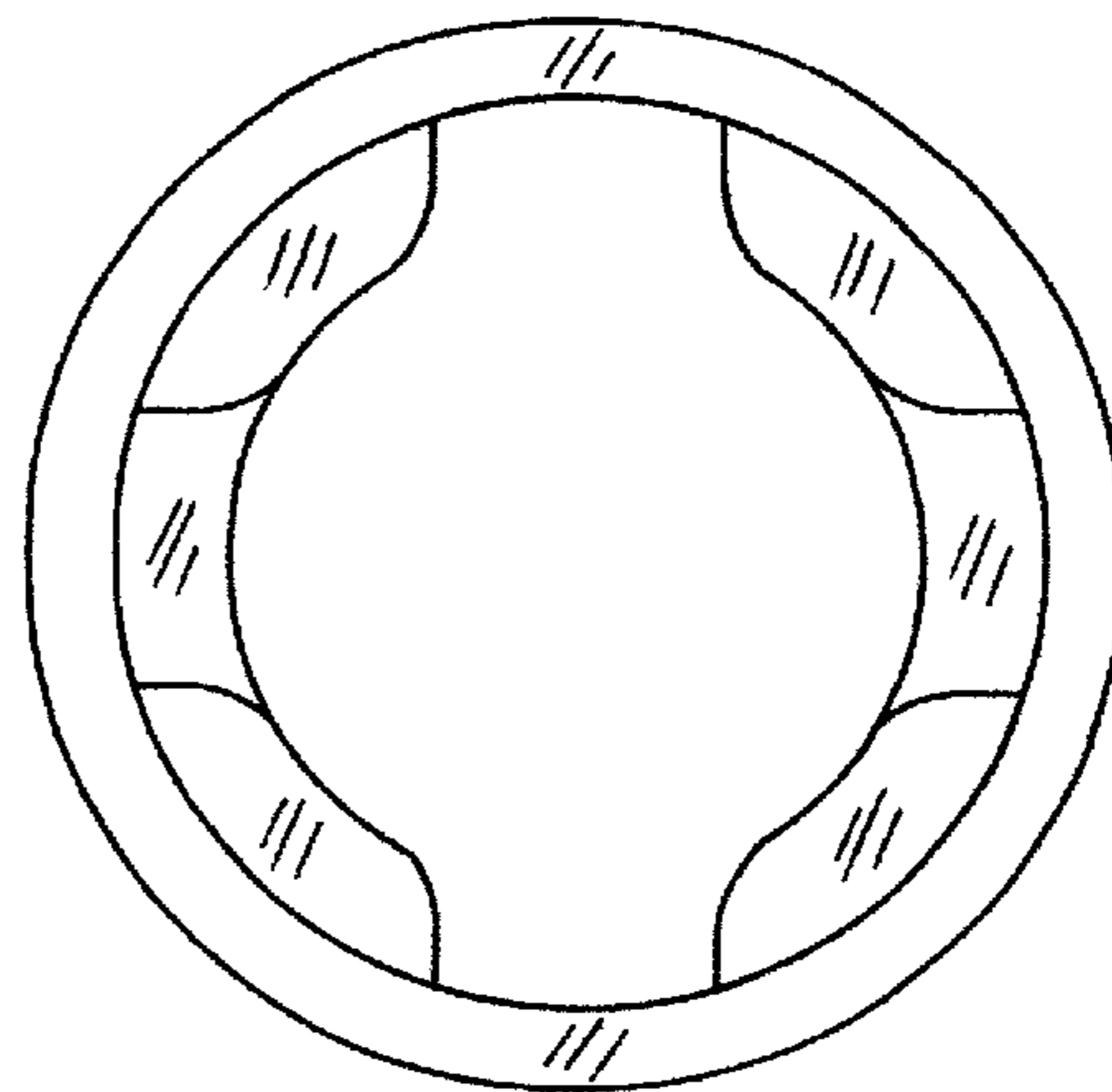


Fig. 28

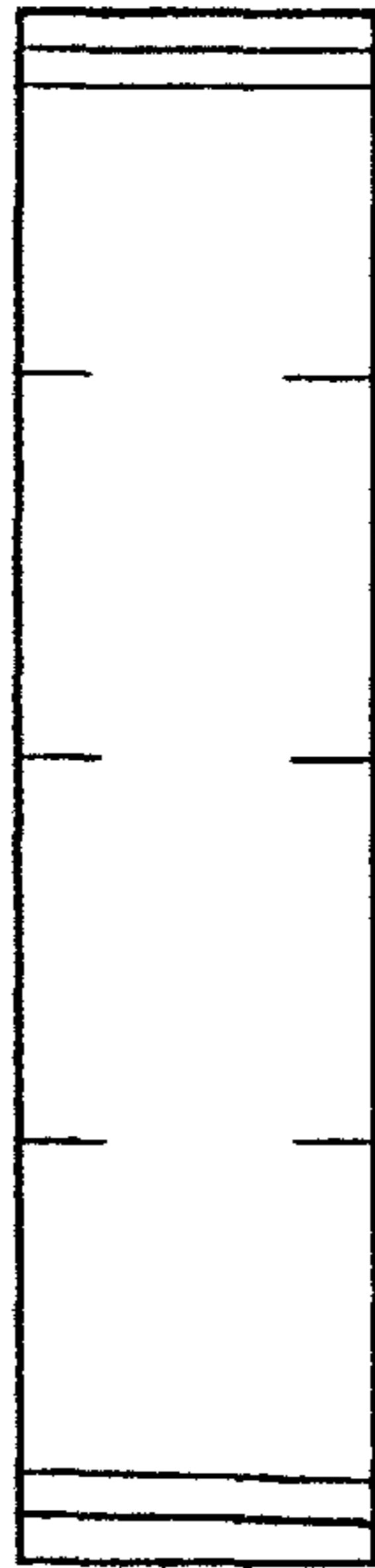


Fig. 29



Fig. 30

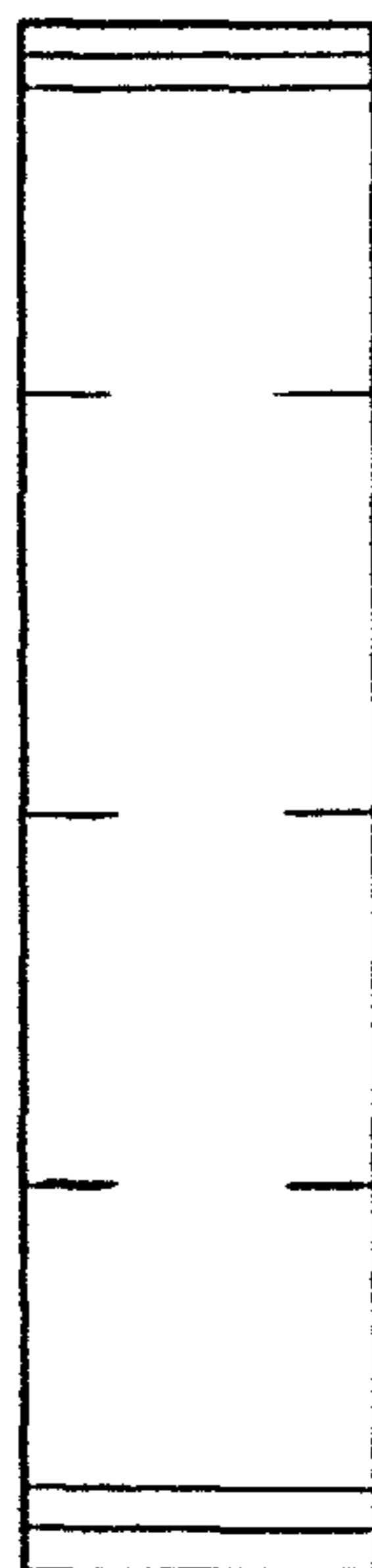


Fig. 31

