



US00D544774S

(12) **United States Design Patent**
Schmidt

(10) **Patent No.:** **US D544,774 S**
(45) **Date of Patent:** **** Jun. 19, 2007**

(54) **SAFETY CUTTER**

6,637,112 B2 * 10/2003 Davis 30/2
6,907,668 B2 * 6/2005 Polei 30/162

(75) Inventor: **G. Gerry Schmidt**, Newport Beach,
CA (US)

* cited by examiner

(73) Assignee: **Pacific Handy Cutter, Inc.**, Costa
Mesa, CA (US)

Primary Examiner—Philip S. Hyder
(74) *Attorney, Agent, or Firm*—Henricks, Slavin & Holmes
LLP

(**) Term: **14 Years**

(57) **CLAIM**

(21) Appl. No.: **29/253,727**

The ornamental design for a safety cutter, as shown.

(22) Filed: **Feb. 10, 2006**

DESCRIPTION

(51) **LOC (8) Cl.** **08-03**

(52) **U.S. Cl.** **D8/99**

(58) **Field of Classification Search** D8/99,
D8/98, 107, 105; 30/161, 162, 320, 329,
30/335, 337, 2

FIG. 1 is a front, top and right side perspective view of a
safety cutter showing my new design;

FIG. 2 is a rear, bottom and left side perspective view
thereof;

FIG. 3 is a left side elevational view thereof;

FIG. 4 is a right side elevational view thereof;

FIG. 5 is a rear elevation view thereof;

FIG. 6 is a top plan view thereof;

FIG. 7 is a front elevational view thereof; and,

FIG. 8 is a bottom plan view thereof.

See application file for complete search history.

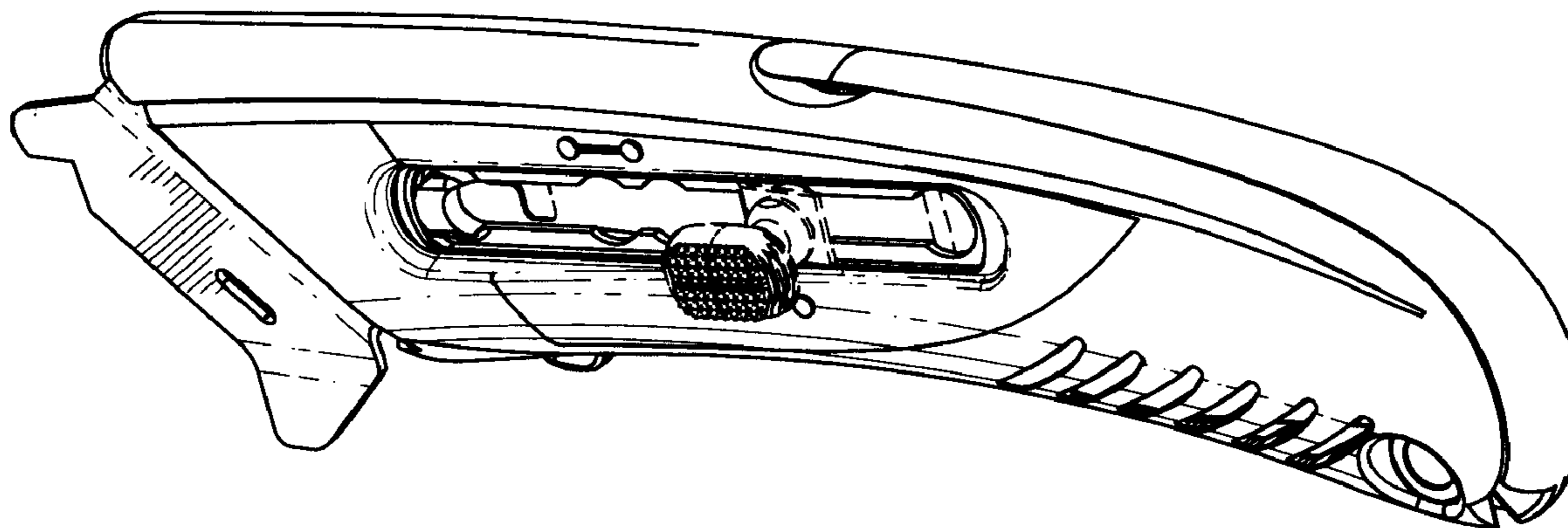
The broken line portions of the disclosure are for illustrative
purposes only and form no part of the claimed design.

(56) **References Cited**

U.S. PATENT DOCUMENTS

D349,444 S *	8/1994	Schmidt	D8/98
5,613,300 A *	3/1997	Schmidt	30/2
D433,304 S *	11/2000	Schmidt	D8/99
D435,419 S *	12/2000	Schmidt	D8/99
D442,054 S *	5/2001	Okada et al.	D8/99
6,314,646 B1 *	11/2001	Schmidt	30/162
D458,106 S *	6/2002	Chong	D8/99
D475,910 S *	6/2003	Schmidt	D8/99

1 Claim, 2 Drawing Sheets



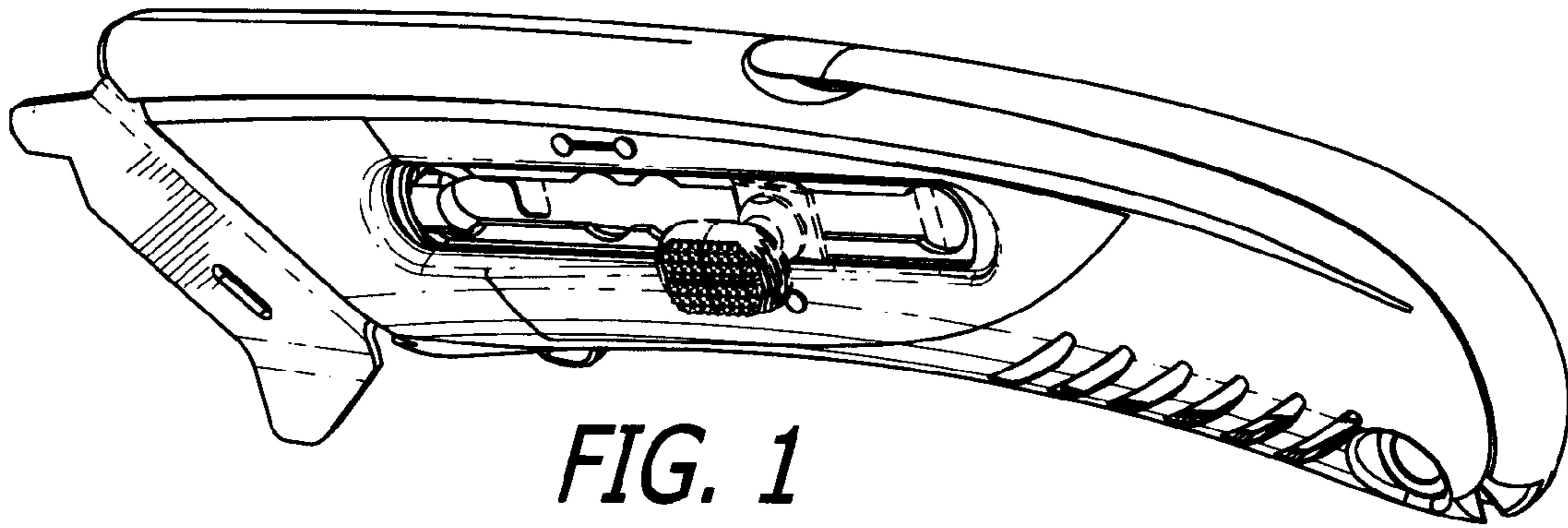


FIG. 1

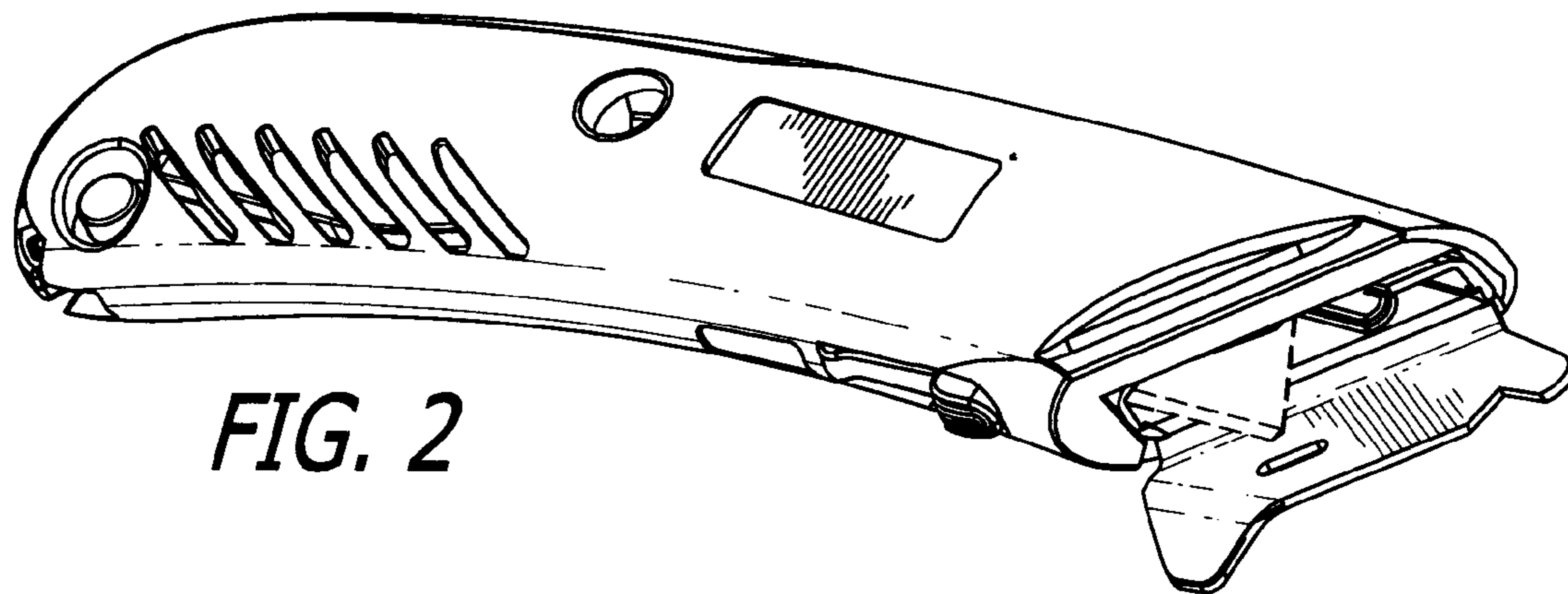


FIG. 2

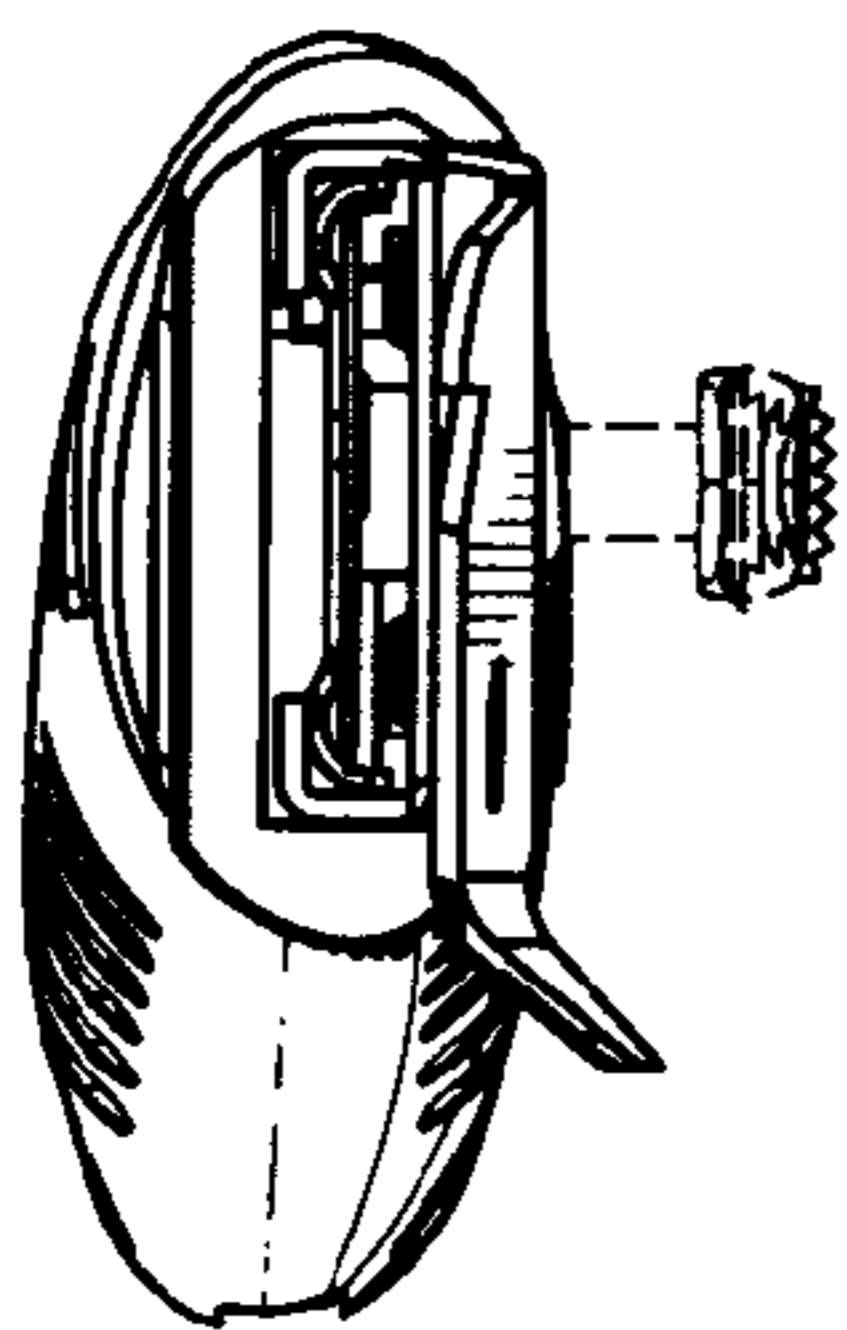


FIG. 3

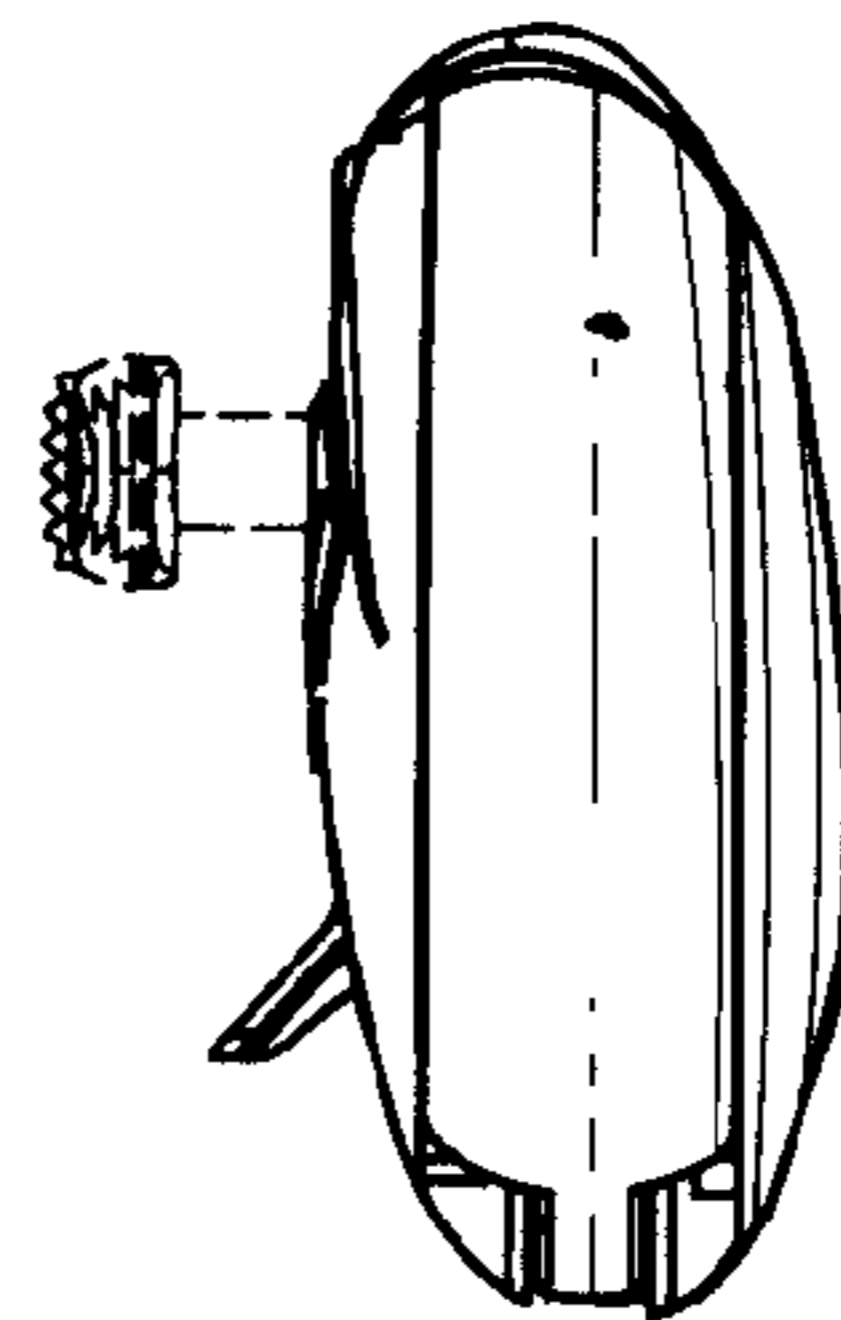


FIG. 4

FIG. 5

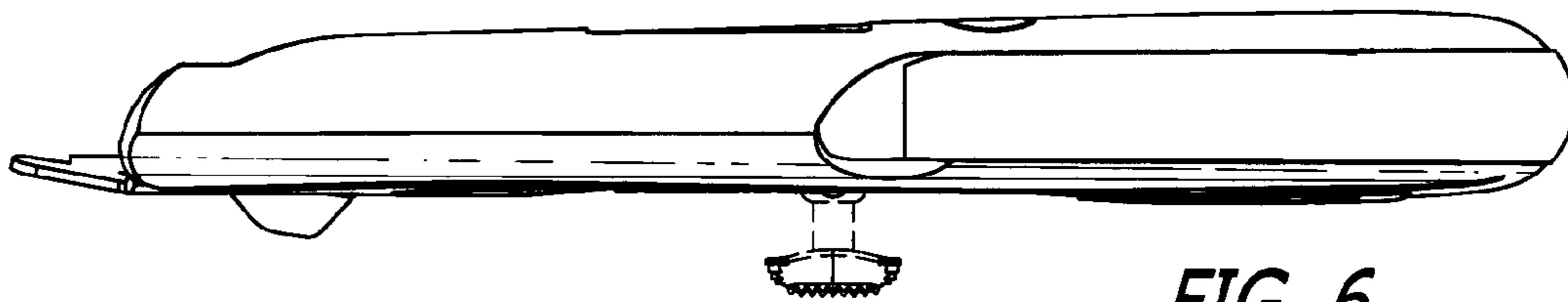
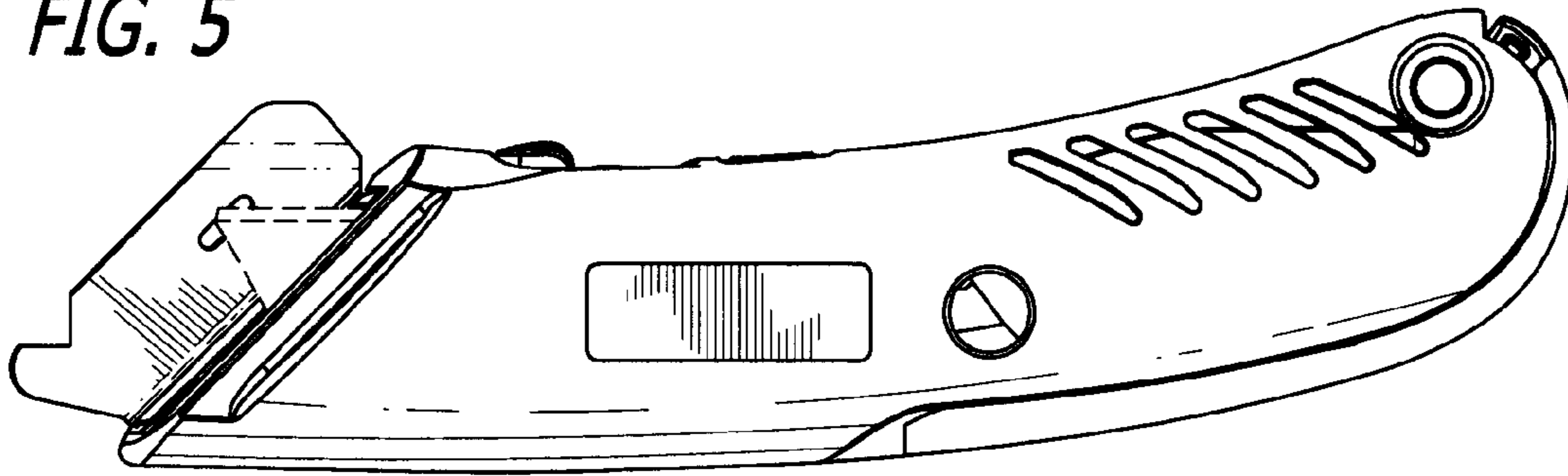


FIG. 6

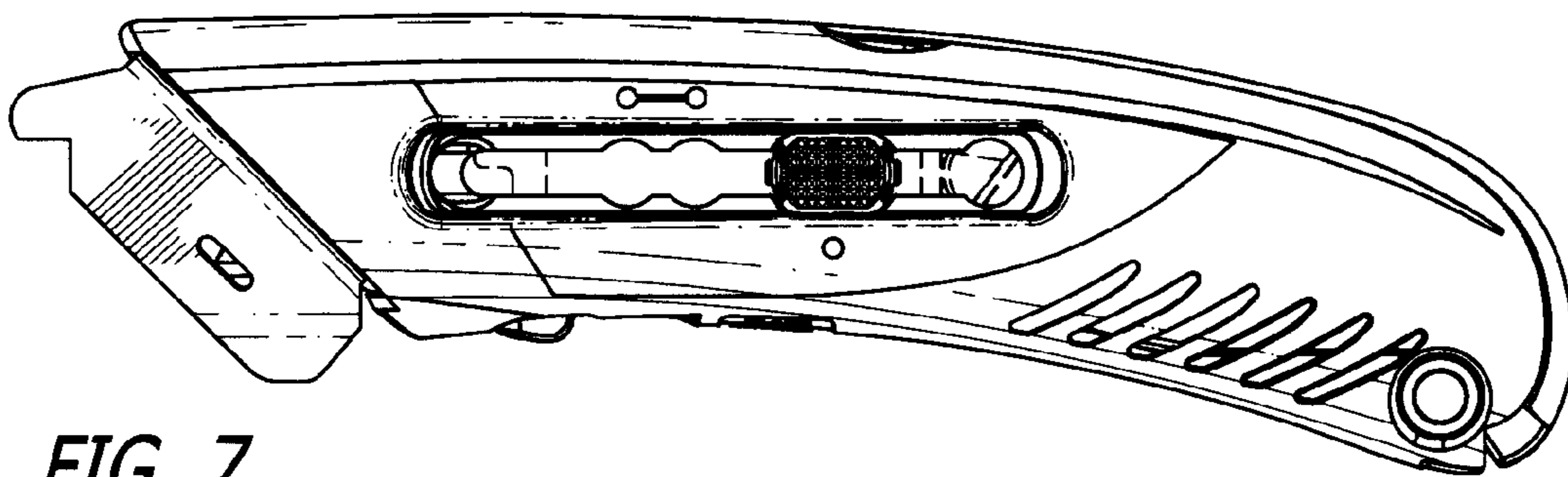


FIG. 7

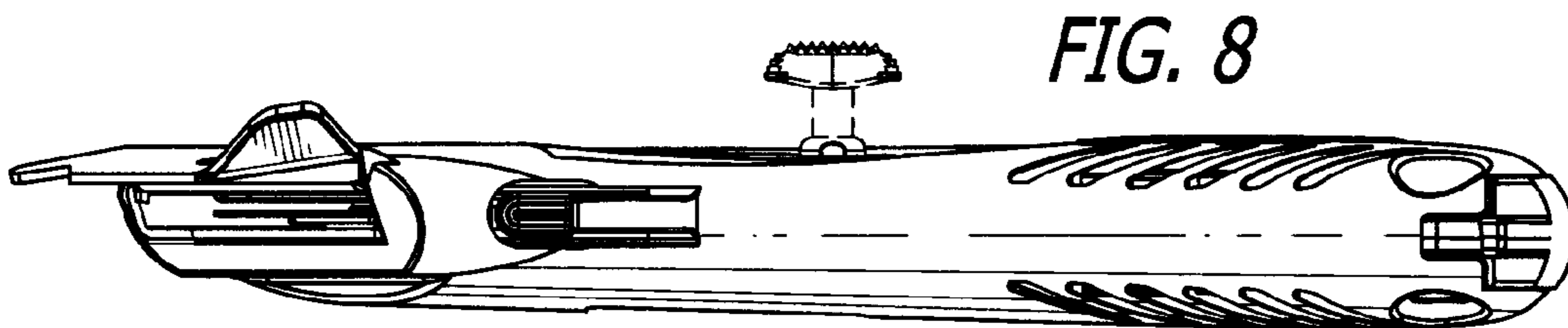


FIG. 8