

US00D544773S

(12) **United States Design Patent**
Sapper et al.

(10) **Patent No.: US D544,773 S**

(45) **Date of Patent: ** Jun. 19, 2007**

(54) **TOOL**

(75) Inventors: **Richard Sapper**, Schwabach (DE);
Sven Christoph, Wiesendorf/Neunbürg
(DE)

(73) Assignee: **Rehau AG & Co.** (DE)

(**) Term: **14 Years**

(21) Appl. No.: **29/263,213**

(22) Filed: **Jul. 19, 2006**

(30) **Foreign Application Priority Data**

Jan. 19, 2006 (EM) 000465968

(51) **LOC (8) Cl.** **08-05**

(52) **U.S. Cl.** **D8/68**

(58) **Field of Classification Search** 408/125,
408/234, 241 R, 20, 124; 451/358; 310/50;
227/8, 113, 114, 120, 130, 136, 142; D8/14.1,
D8/61, 62, 63, 64, 65, 66, 67, 68, 69, 70;
81/57.11, 429, 464, 465, 466, 469, 489; 173/13,
173/104, 114, 168, 169, 170, 171, 178, 201,
173/211, 213, 217

See application file for complete search history.

(56) **References Cited**

U.S. PATENT DOCUMENTS

D369,732 S * 5/1996 Rosier D8/68

D371,299 S * 7/1996 Rosier D8/68
D462,883 S * 9/2002 Steiner et al. D8/68
2006/0180630 A1* 8/2006 Lin 227/130

FOREIGN PATENT DOCUMENTS

GB 1025419 S * 3/1985
GB 2103796 S * 2/2001

* cited by examiner

Primary Examiner—T. Chase Nelson

(74) *Attorney, Agent, or Firm*—Venable LLP; Robert
Kinberg

(57) **CLAIM**

The ornamental design for a tool, as shown and described.

DESCRIPTION

FIG. 1 is a perspective view from the front-right-bottom side of the tool showing our new design;

FIG. 2 is a front view of the design shown in FIG. 1;

FIG. 3 is a rear view of the design shown in FIG. 1;

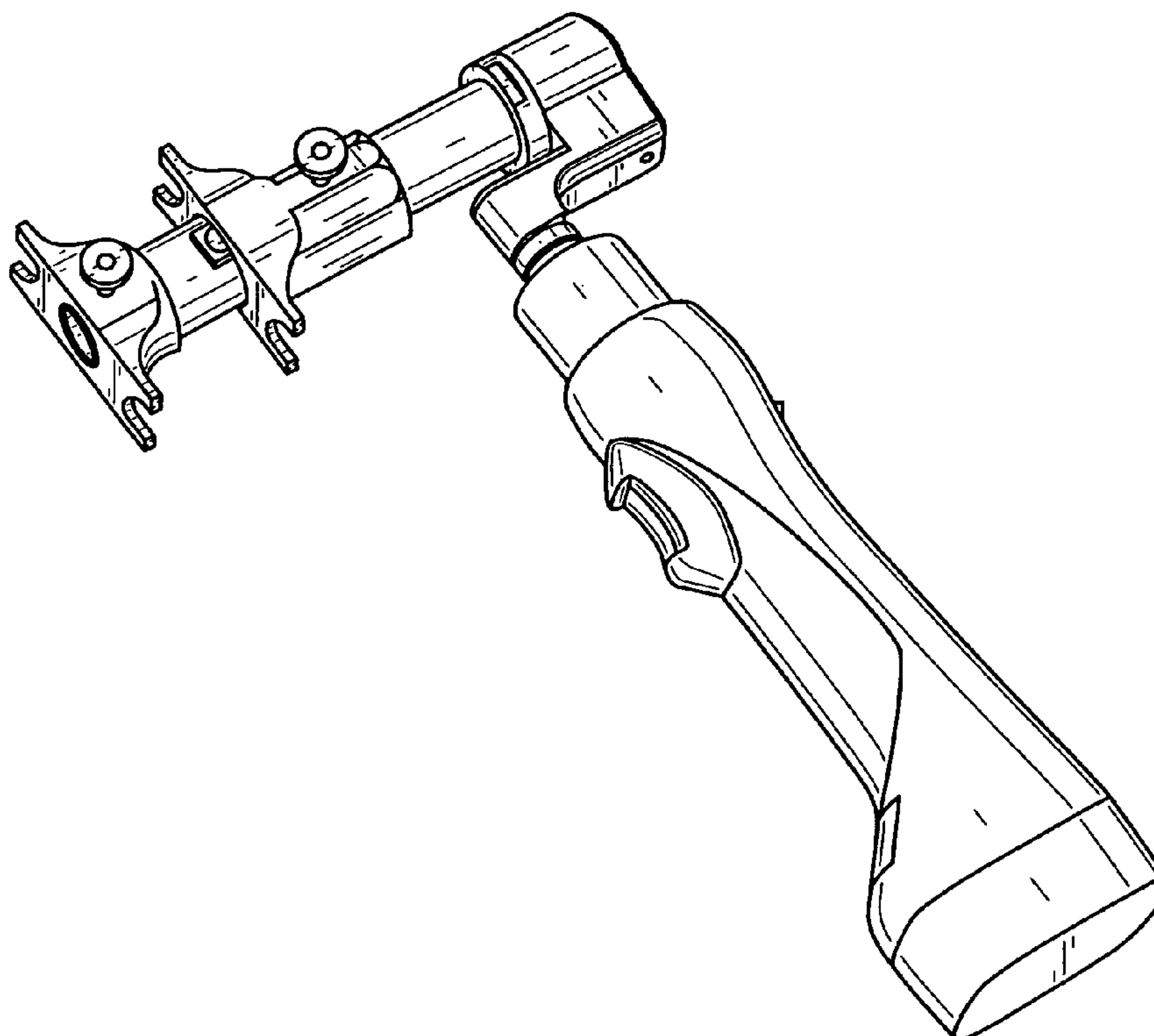
FIG. 4 is a left side view of the design shown in FIG. 1;

FIG. 5 is a right side view of the design shown in FIG. 1;

FIG. 6 is a top view of the design shown in FIG. 1; and,

FIG. 7 is a bottom view of the design shown in FIG. 1.

1 Claim, 5 Drawing Sheets



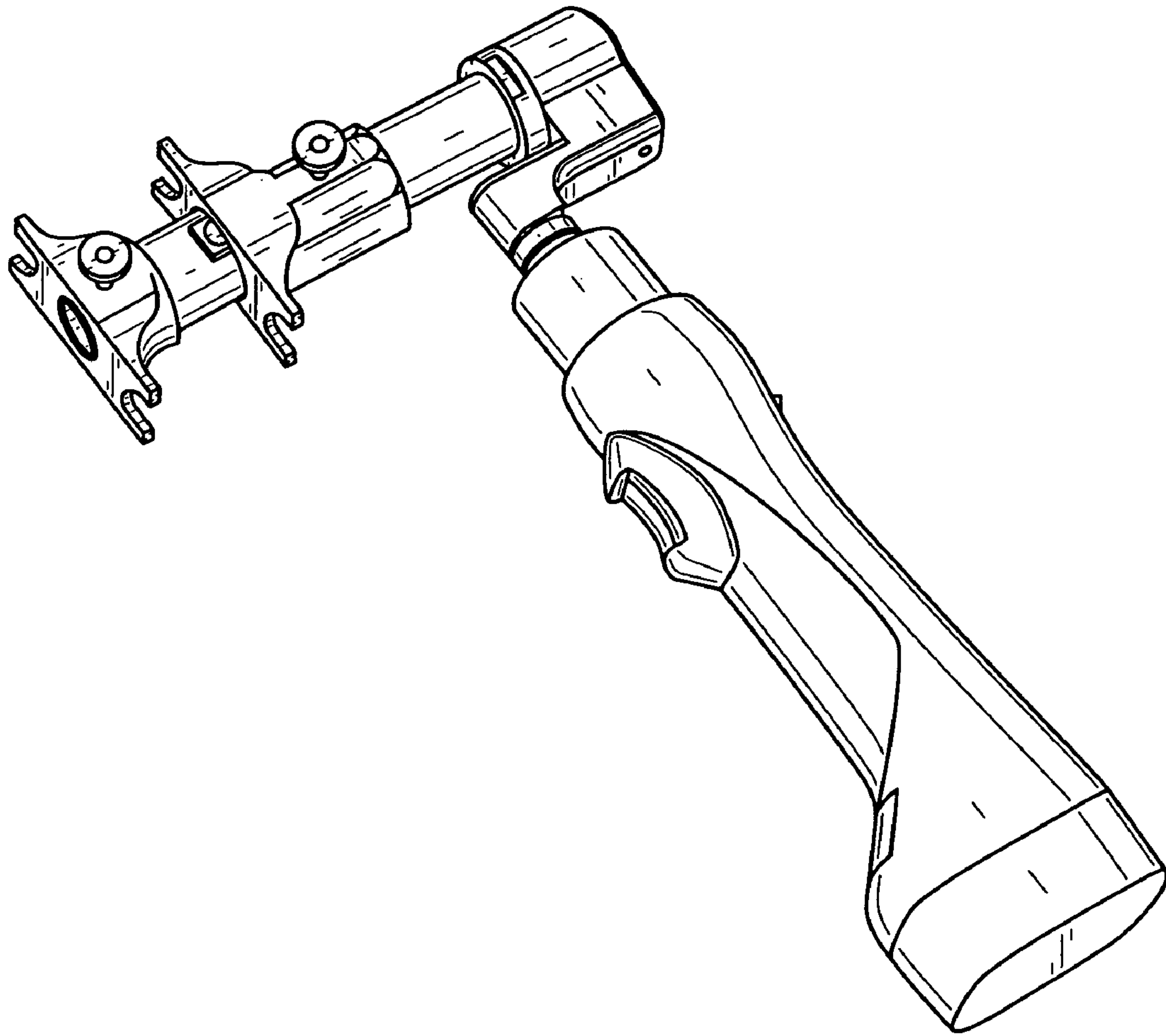


FIG. 1

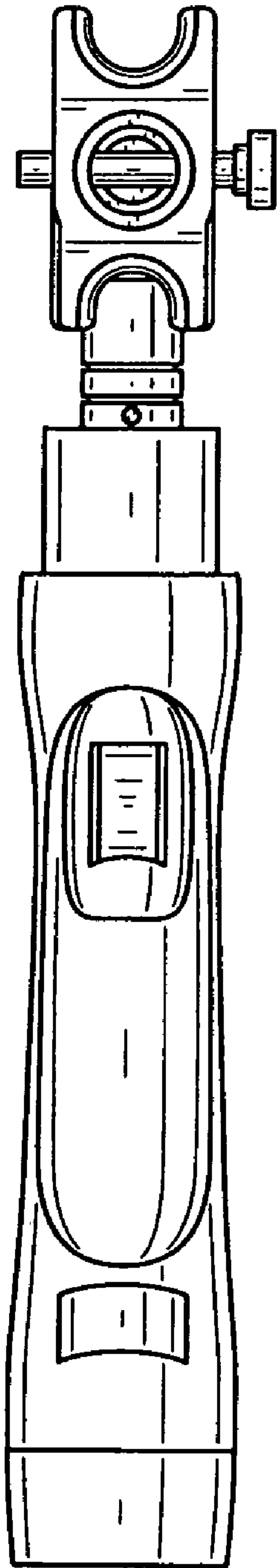


FIG. 2

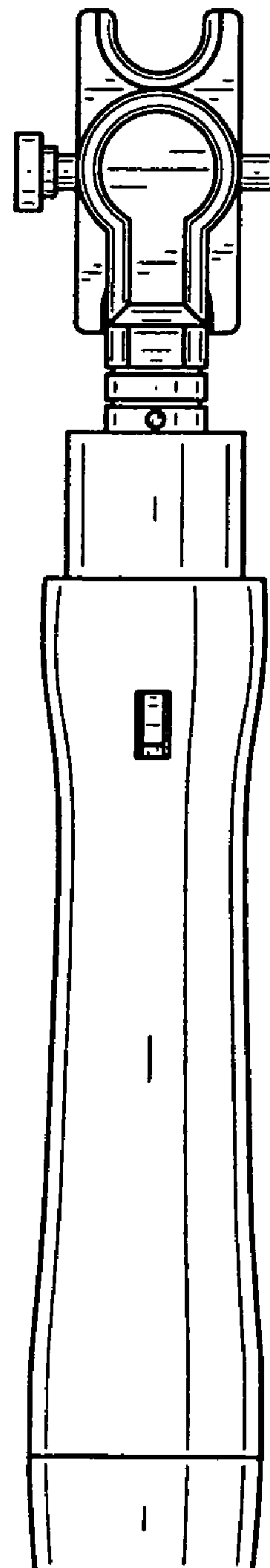


FIG. 3

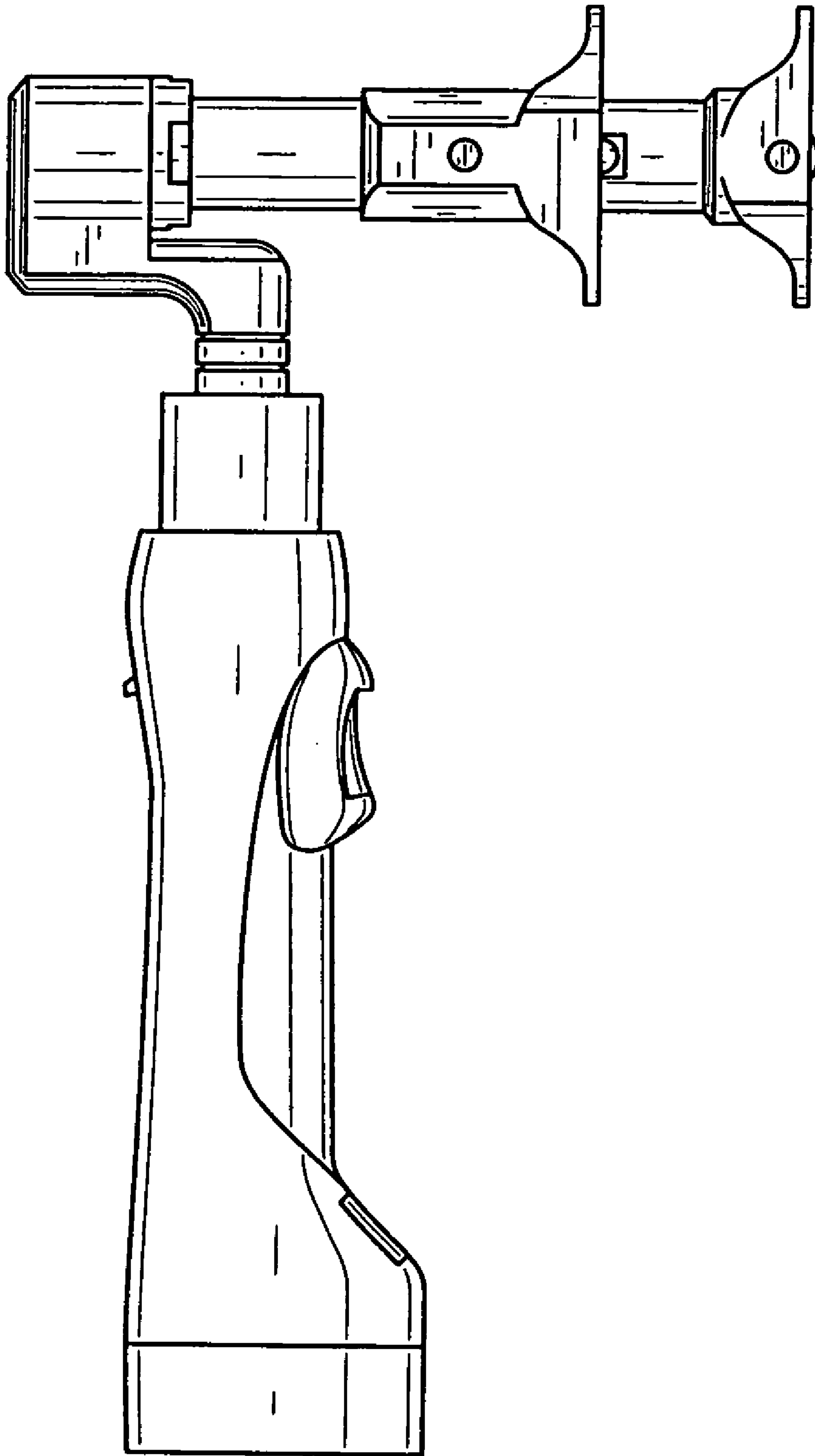


FIG. 4

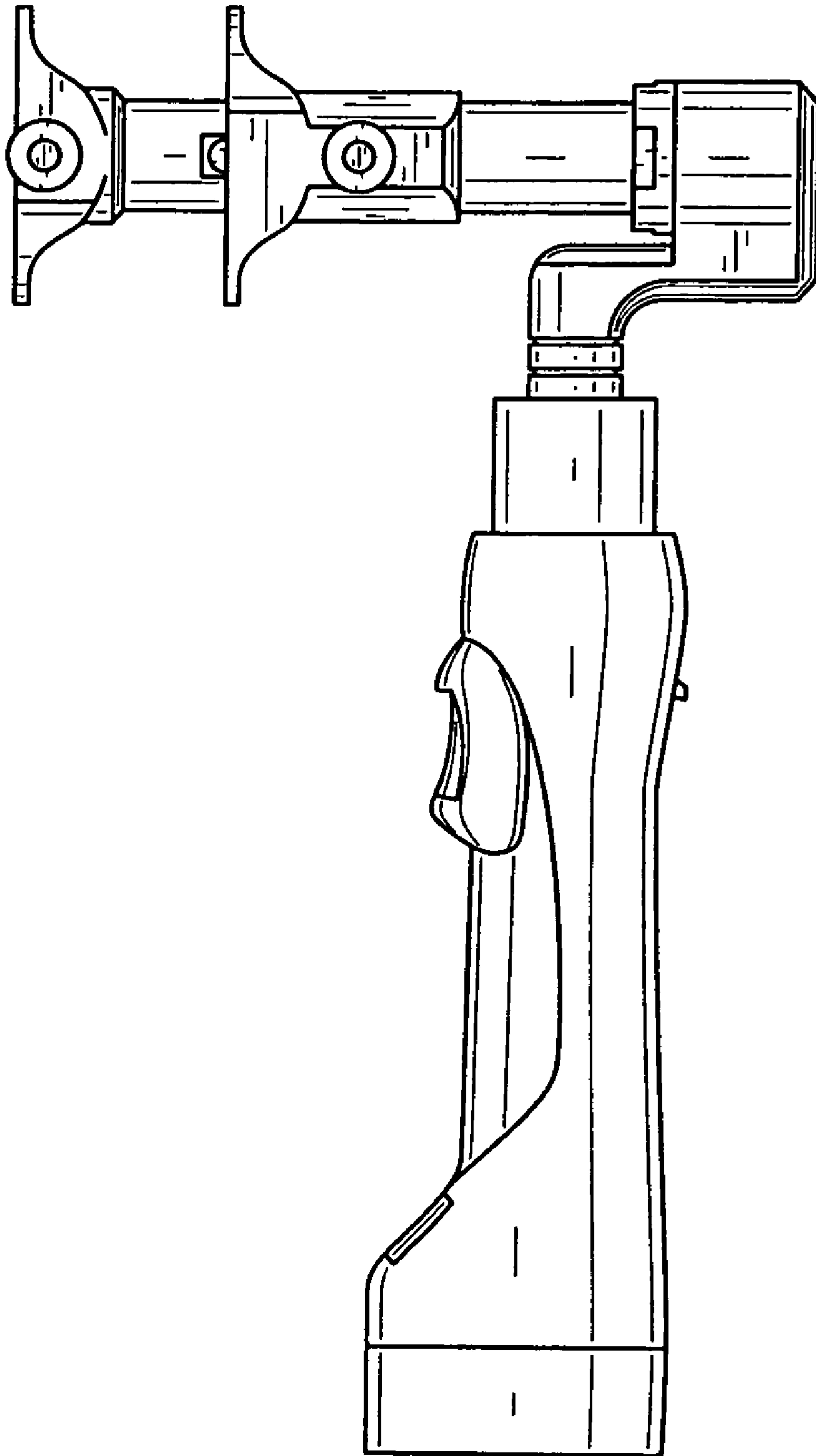


FIG. 5

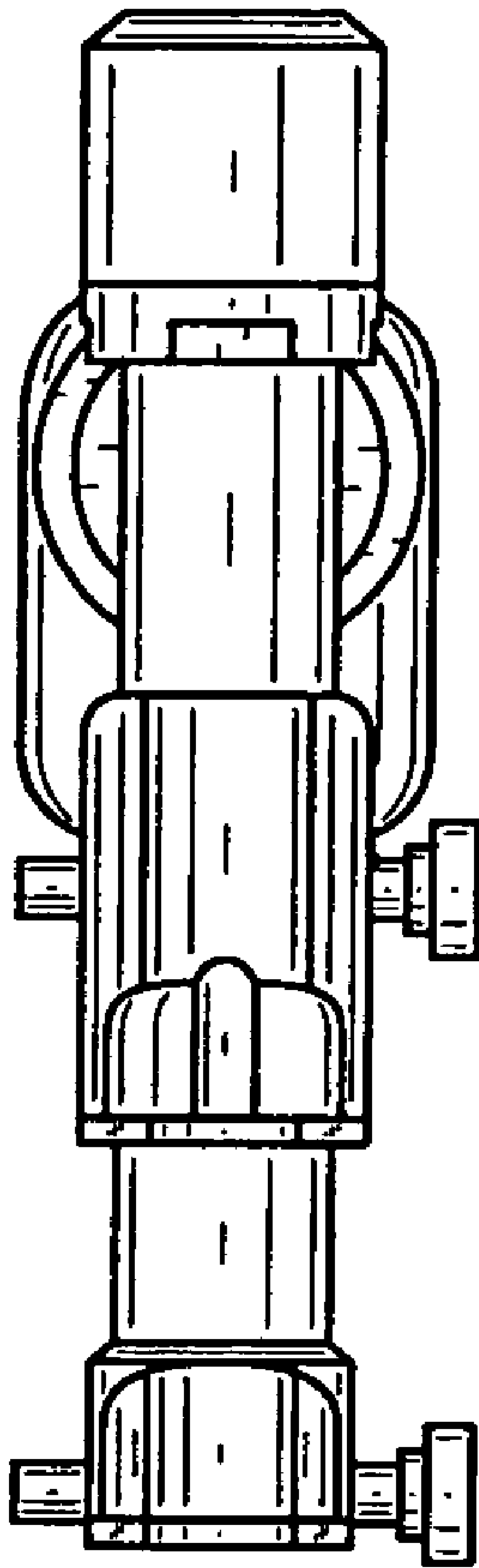


FIG. 6

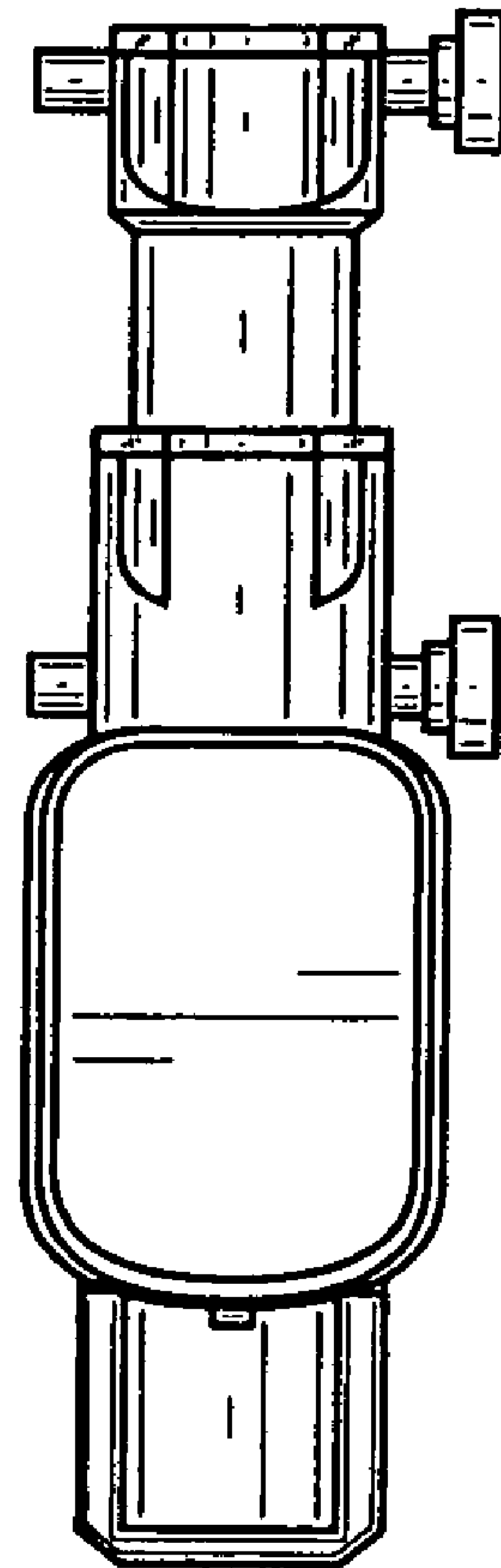


FIG. 7