

US00D544772S

(12) **United States Design Patent** (10) **Patent No.:** **US D544,772 S**
Staples (45) **Date of Patent:** **** Jun. 19, 2007**

- (54) **PORTION OF A TOOL HOUSING**
- (75) Inventor: **Michael R. Staples**, Mauldin, SC (US)
- (73) Assignee: **Professional Tool Products, LLC**, Greenville, SC (US)
- (**) Term: **14 Years**
- (21) Appl. No.: **29/247,525**
- (22) Filed: **Jun. 23, 2006**

Related U.S. Application Data

- (62) Division of application No. 29/218,350, filed on Dec. 1, 2004.
 - (51) **LOC (8) Cl.** **08-04**
 - (52) **U.S. Cl.** **D8/61**
 - (58) **Field of Classification Search** D8/61, D8/62, 68, 70, 80, 86, 107, 83; D9/500, D9/502, 562; 81/57.26, 57.29, 57.39, 57.42, 81/63.1, 429, 464, 467, 469, 470, 473; 173/168, 173/169, 170, 176, 177, 178, 181, 216, 217; 73/862.21; 310/50
- See application file for complete search history.

References Cited

U.S. PATENT DOCUMENTS

- D198,139 S * 5/1964 Edwards D7/532
- D214,776 S 7/1969 Schadler
- 3,995,572 A * 12/1976 Saunders 72/348
- D265,962 S 8/1982 Izumisawa
- D269,938 S 8/1983 Izumisawa
- D274,694 S * 7/1984 Denhoff D9/502
- D289,135 S 4/1987 Doman
- D300,296 S 3/1989 Krapowicz et al.
- 4,821,611 A 4/1989 Izumisawa
- D316,216 S 4/1991 Gierke et al.
- D321,643 S * 11/1991 Katada et al. D9/502
- D321,645 S * 11/1991 Katada et al. D9/502
- D323,603 S 2/1992 Fu
- D334,124 S 3/1993 Izumisawa
- D334,125 S 3/1993 Izumisawa

- D336,225 S 6/1993 Lin
- D340,628 S 10/1993 Chow
- D352,645 S 11/1994 Ichikawa
- D356,503 S * 3/1995 Mueller et al. D7/523
- D359,429 S 6/1995 Williamson
- D380,131 S 6/1997 Sung
- D380,949 S 7/1997 Sung
- D387,960 S 12/1997 Sung
- D389,025 S 1/1998 Sung
- D402,867 S 12/1998 Macor
- D404,625 S 1/1999 Giardino
- D408,243 S 4/1999 Izumisawa
- D429,979 S 8/2000 Chiang
- D431,763 S 10/2000 Liu
- D431,983 S 10/2000 Peters
- D432,014 S * 10/2000 Morrison et al. D9/502
- D439,121 S 3/2001 Hsu
- D439,480 S 3/2001 Hsu
- D441,624 S 5/2001 Hsu
- 6,298,753 B1 10/2001 Izumisawa
- D455,327 S 4/2002 Beer et al.

(Continued)

Primary Examiner—Cathron C. Brooks
Assistant Examiner—Austin Murphy
(74) *Attorney, Agent, or Firm*—Alston & Bird LLP

(57) **CLAIM**

The ornamental design for a portion of a tool housing, as shown and described.

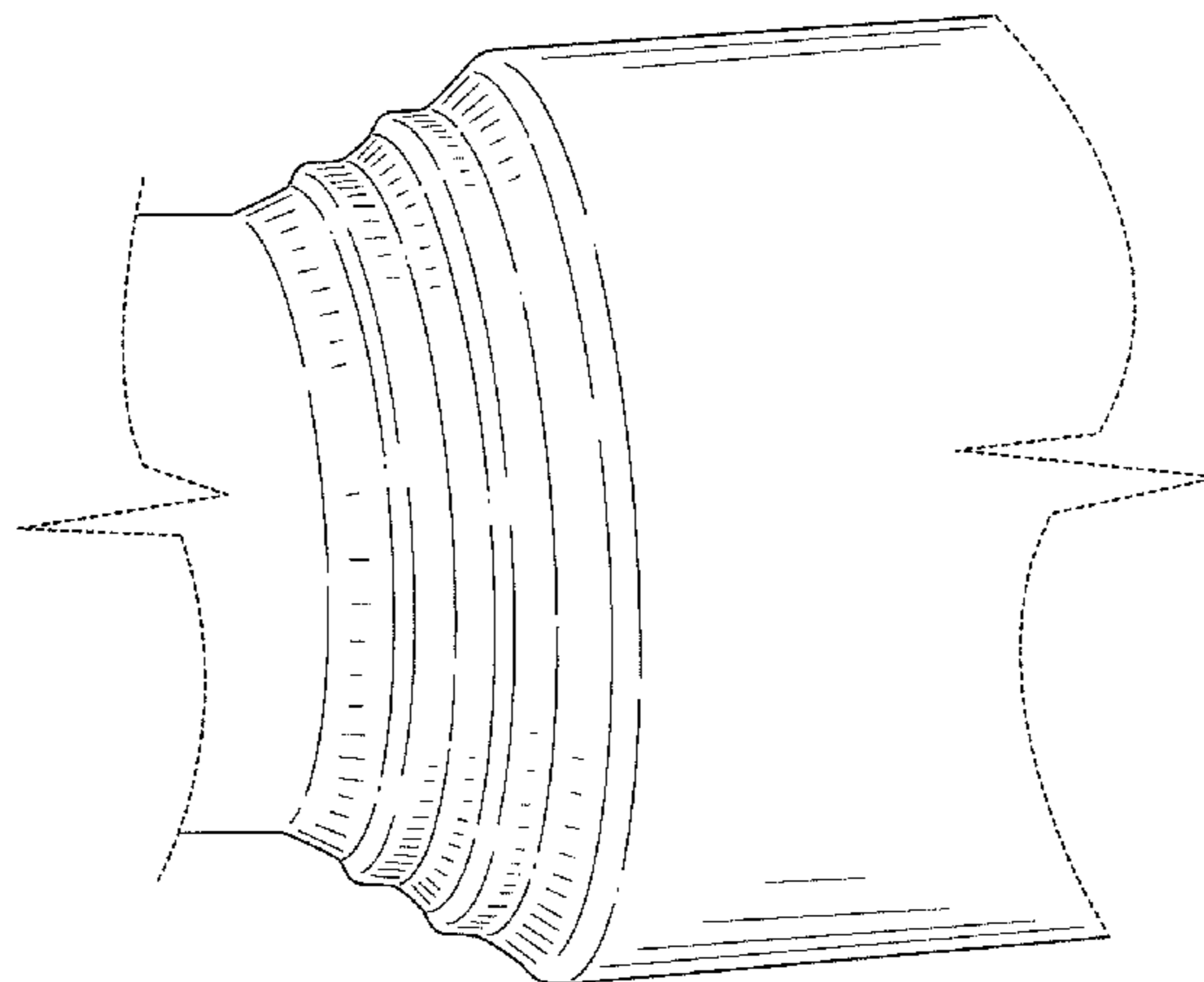
DESCRIPTION

FIG. 1 is a perspective view of a portion of a tool housing according to my new design; and,

FIG. 2 is a right side elevation view thereof, the left side elevation view being a mirror image thereof, the top and bottom views being identical thereto, and the rear elevation view is unornamented and forms no part of the claimed design.

The broken lines shown herein are for illustrative purposes only and form no part of the claimed design.

1 Claim, 2 Drawing Sheets



US D544,772 S

Page 2

U.S. PATENT DOCUMENTS

D456,232 S	4/2002	Chen	
D465,395 S	11/2002	Hung	
D468,174 S	1/2003	Morgan	
D468,175 S	1/2003	Morgan	
D471,411 S	3/2003	Hu	
D471,774 S	3/2003	Hu	
D472,115 S	3/2003	Davidson et al.	
D484,016 S	* 12/2003	Baker	D8/61
D490,680 S	6/2004	Levine et al.	
D492,556 S	7/2004	Barry et al.	
D493,341 S	7/2004	Chen	
D495,569 S	9/2004	Halstead	
D496,568 S	9/2004	Izumisawa	
D497,785 S	11/2004	Izumisawa	
D506,375 S	6/2005	Hsu et al.	
D508,387 S	8/2005	Hsu et al.	
D521,824 S	* 5/2006	Albertson et al.	D8/25
D525,502 S	* 7/2006	Chen	D8/61
7,080,578 B2	* 7/2006	Izumisawa	81/57.39
D529,355 S	* 10/2006	Su	D8/61
D530,207 S	* 10/2006	Brandt et al.	D9/500
2002/0139547	A1	10/2002	Nowak et al.
2005/0076745	A1	4/2005	Chen
2005/0132846	A1	6/2005	Lai
2005/0211026	A1	9/2005	Cheng
2005/0279191	A1	12/2005	Horvath
2006/0027048	A1	2/2006	Chen

* cited by examiner

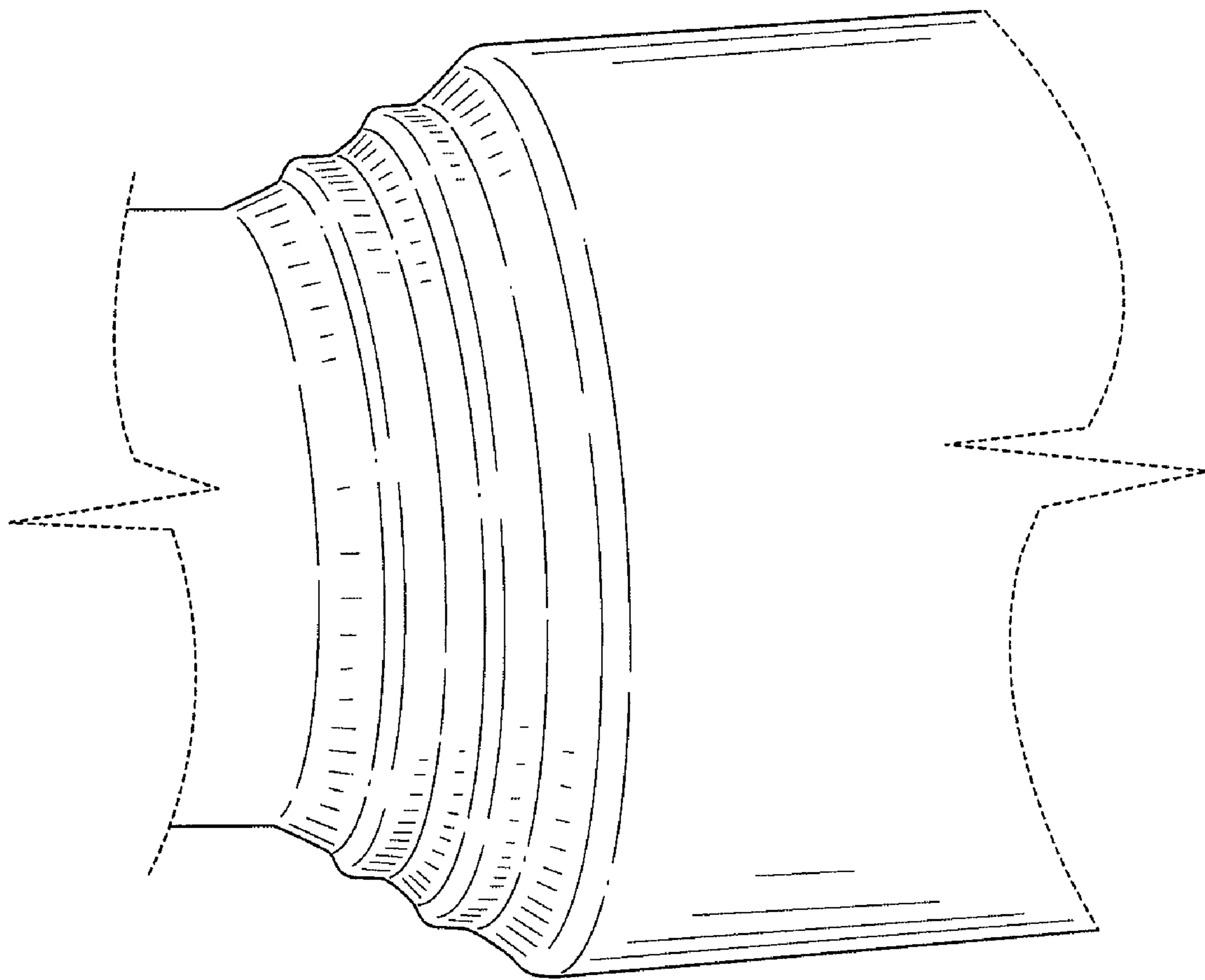


FIG. 1

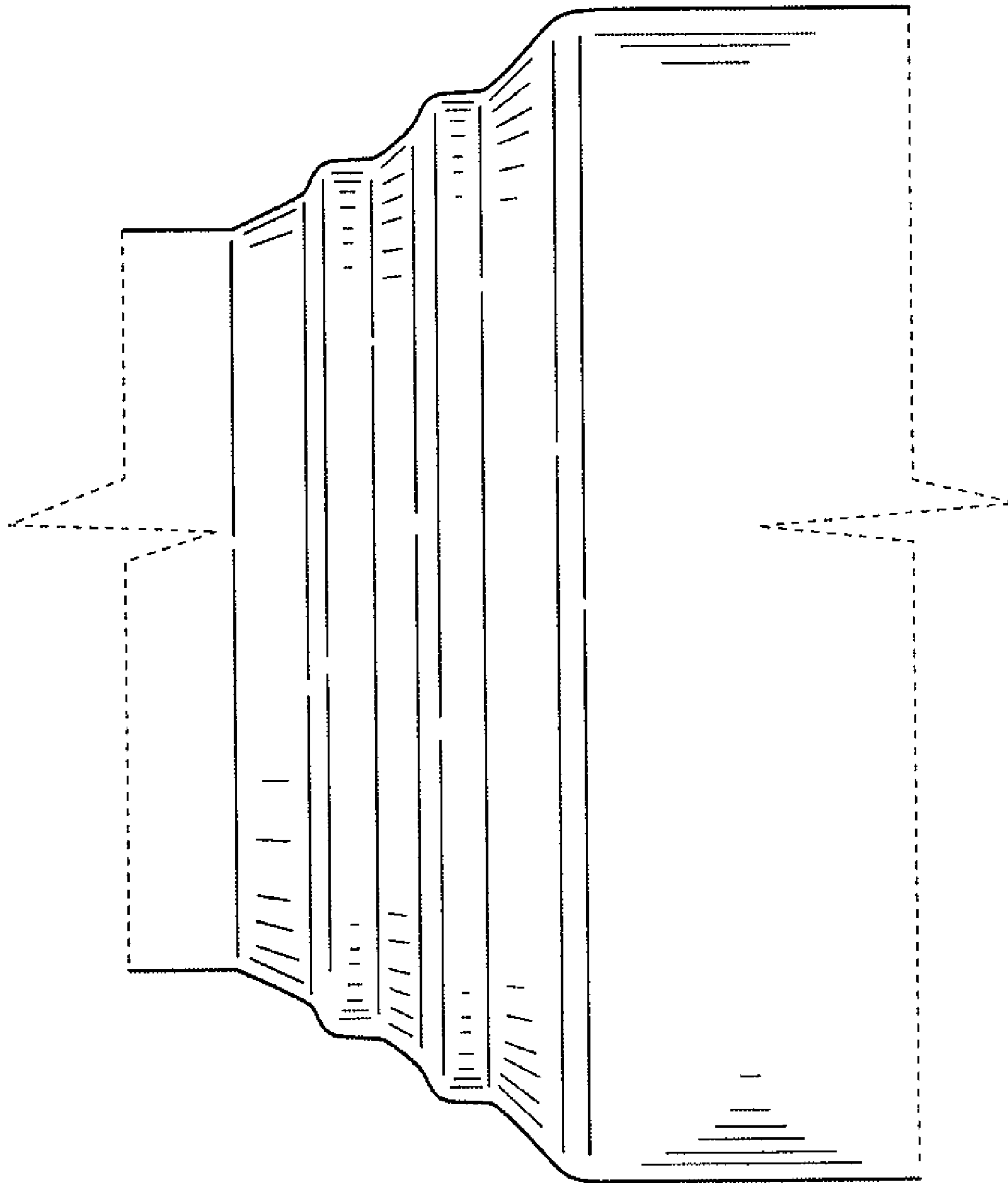


FIG. 2