

US00D544771S

(12) **United States Design Patent** (10) **Patent No.:** **US D544,771 S**
Duffy (45) **Date of Patent:** **** Jun. 19, 2007**

(54) **HAND PRESS**

(76) Inventor: **Glen Robert Duffy**, Unit 3/20
Lancashire Street, Acacia Ridge (AU)
4110

(**) Term: **14 Years**

(21) Appl. No.: **29/246,512**

(22) Filed: **Apr. 20, 2006**

(30) **Foreign Application Priority Data**

Oct. 21, 2005 (AU) 14642/2005

(51) **LOC (8) Cl.** **08-05**

(52) **U.S. Cl.** **D8/59; D8/51**

(58) **Field of Classification Search** D8/51,
D8/59, 60, 71-74; 29/244, 245, 256-266;
72/454; 269/240, 244-247, 249, 250
See application file for complete search history.

(56) **References Cited**

U.S. PATENT DOCUMENTS

2,072,359 A * 3/1937 Dobrick 72/454
3,237,291 A * 3/1966 Kelso 29/257
D245,394 S * 8/1977 Knecht D8/51
5,479,688 A * 1/1996 Rubino et al. 29/259
D375,239 S * 11/1996 Hall et al. D8/73
5,692,437 A * 12/1997 Tabain 72/454
5,898,985 A * 5/1999 Villarreal 29/257
6,684,472 B2 * 2/2004 Abdelmoula et al. 29/262
6,910,252 B2 * 6/2005 Draggie et al. 29/263

OTHER PUBLICATIONS

Author unknown, Kalyx.com Ball Joint & 4 Wheel Drive Service
Tool Kit, Web page, Oct. 19, 2005, Kalyx.com 642 Hillsboro Rd,
Camden, NY 13316.

Author unknown, Sealey Ball Joint Kit BMW3 Series, Web Page
Oct. 19, 2005, Cambridge Tool Supplies Ltd (Toolmix.com) Unit 1
Brookfield Business Centre, Twentypence Road, Cottenham, Cam-
bridge cb4 8ps.

* cited by examiner

Primary Examiner—Alan P. Douglas

Assistant Examiner—Deanna Fluegerman

(74) *Attorney, Agent, or Firm*—Stefan J. Kirchanski;
JoAnna M. Esty; Venable LLP

(57) **CLAIM**

The ornamental design for a hand press, as shown and
described.

DESCRIPTION

FIG. 1 is an isometric view of applicant's hand press;

FIG. 2 is a left side view of applicant's hand press;

FIG. 3 is a front view of applicant's hand press;

FIG. 4 is a right side view of applicant's hand press;

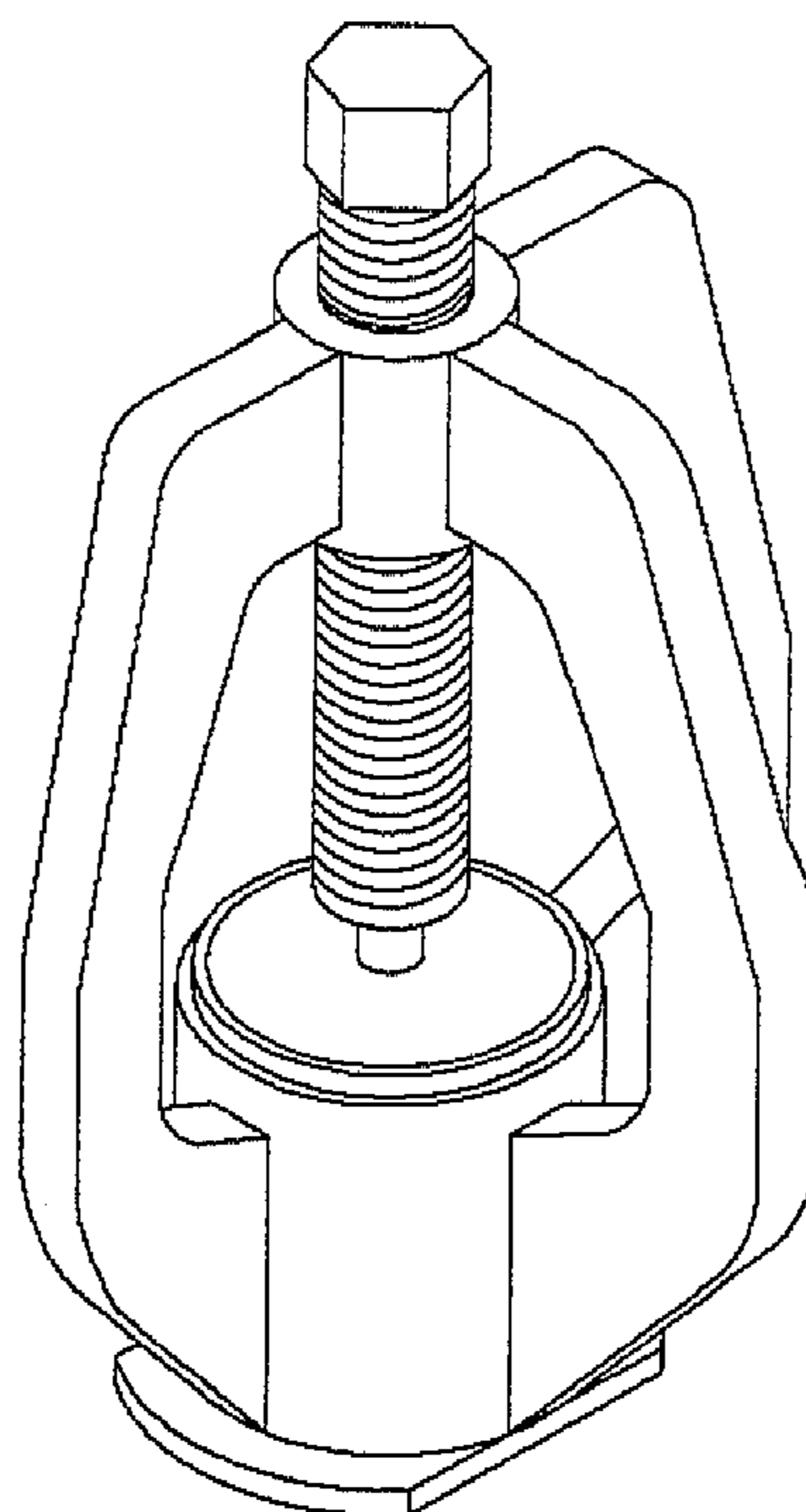
FIG. 5 is a rear view of applicant's hand press;

FIG. 6 is a top view of applicant's hand press; and,

FIG. 7 is a bottom view of applicant's hand press.

The threads of FIG. 1 have been omitted from FIGS. 2-5 for
ease of illustration.

1 Claim, 2 Drawing Sheets



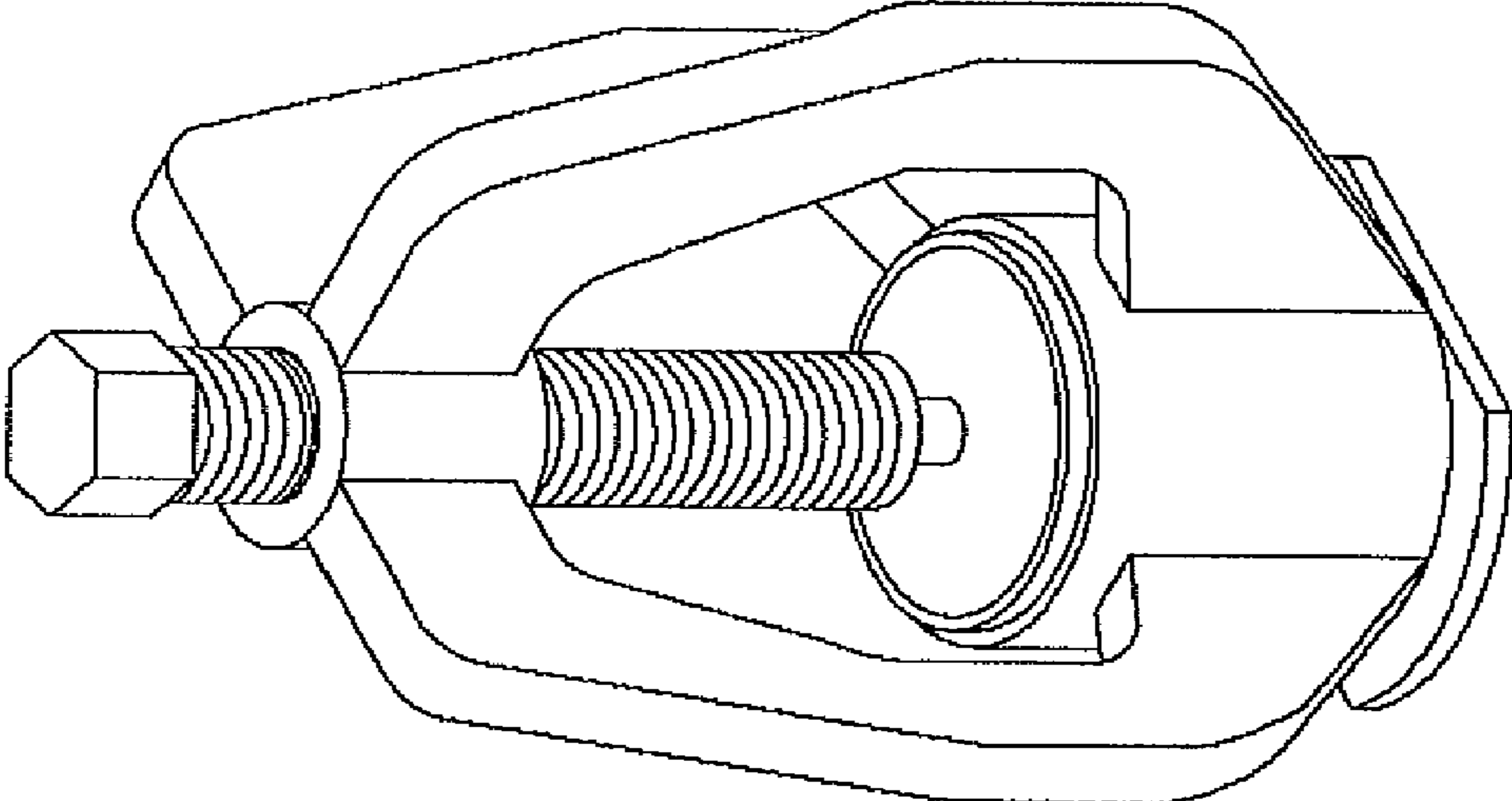


FIG. 1

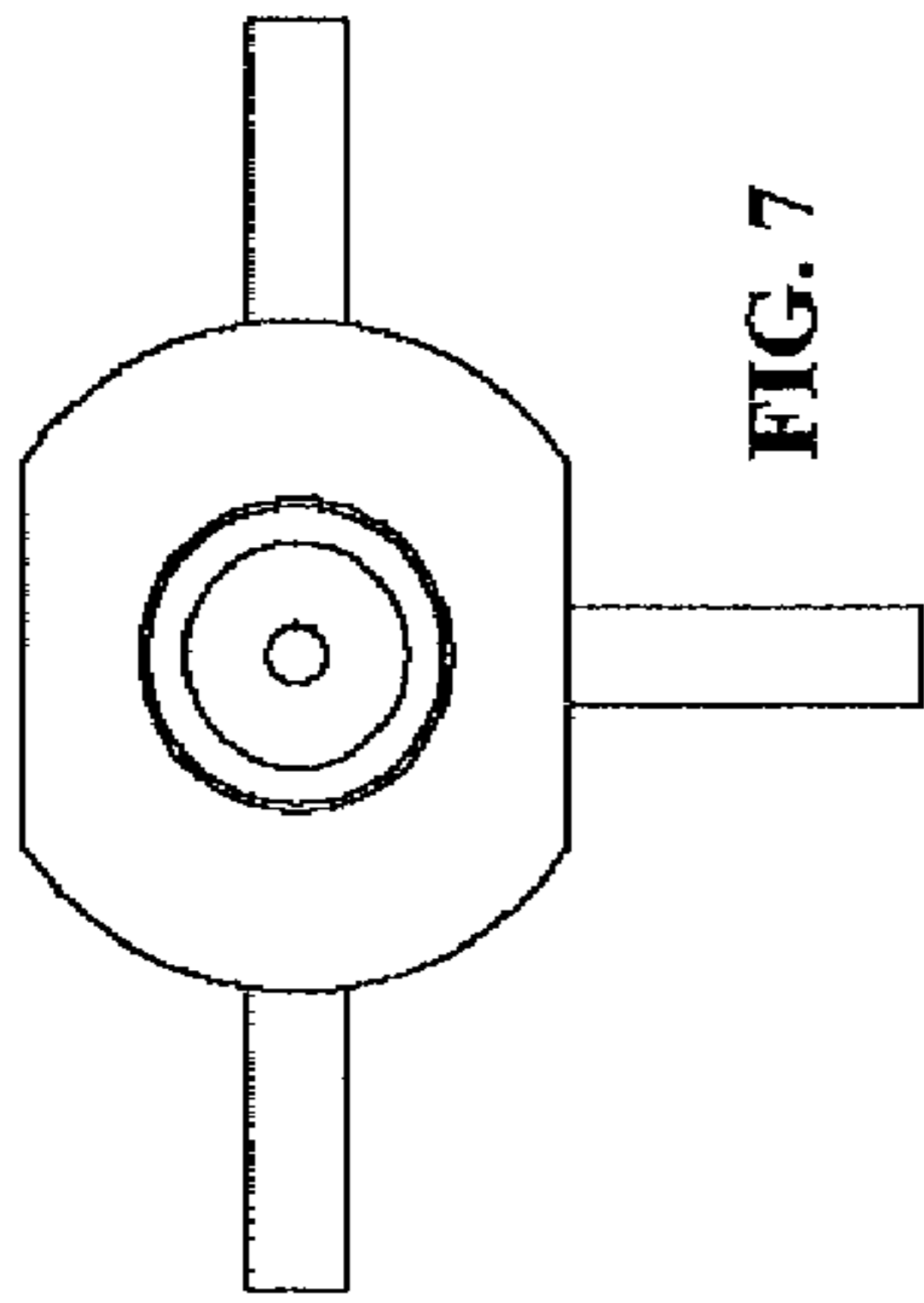


FIG. 7

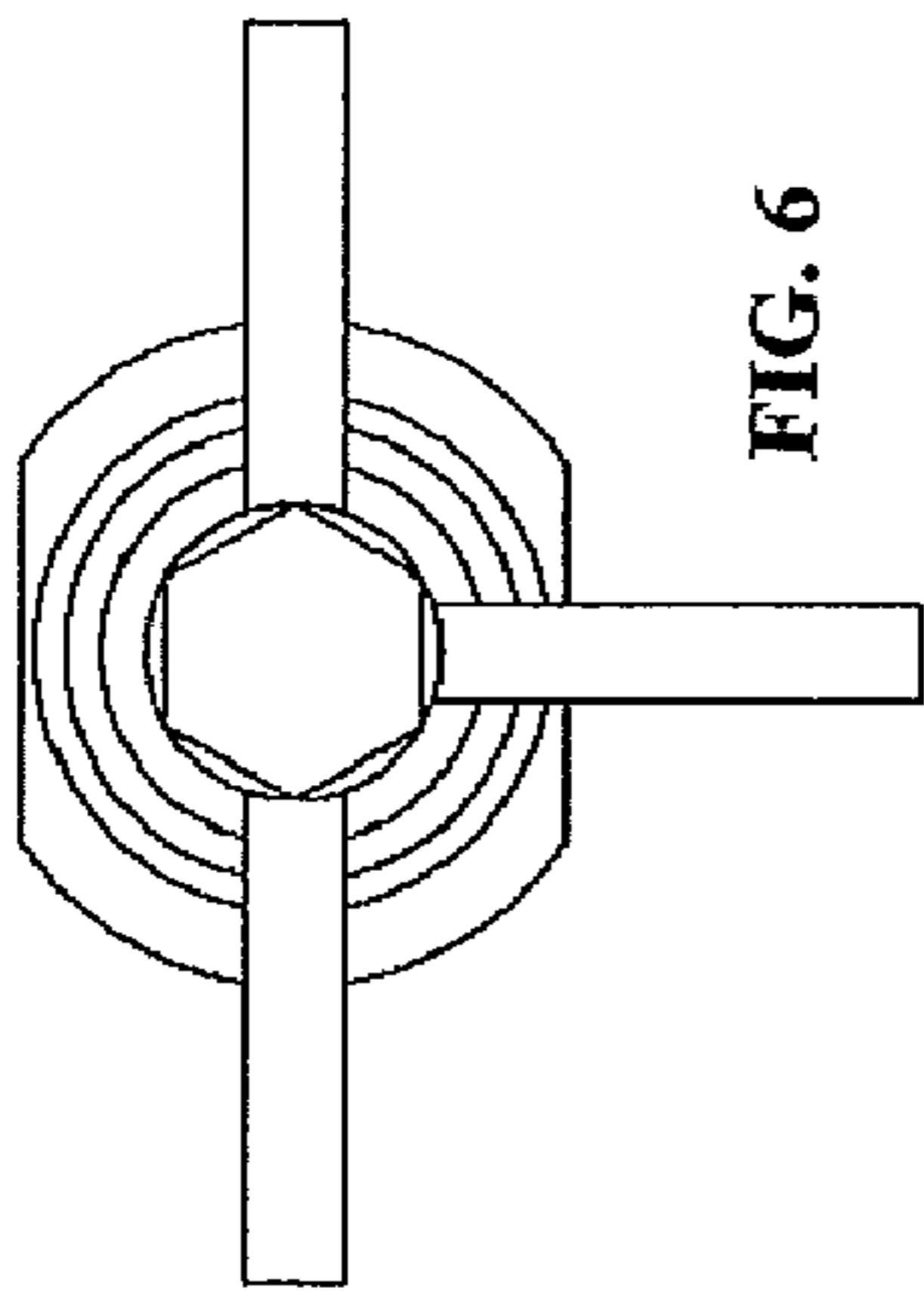


FIG. 6

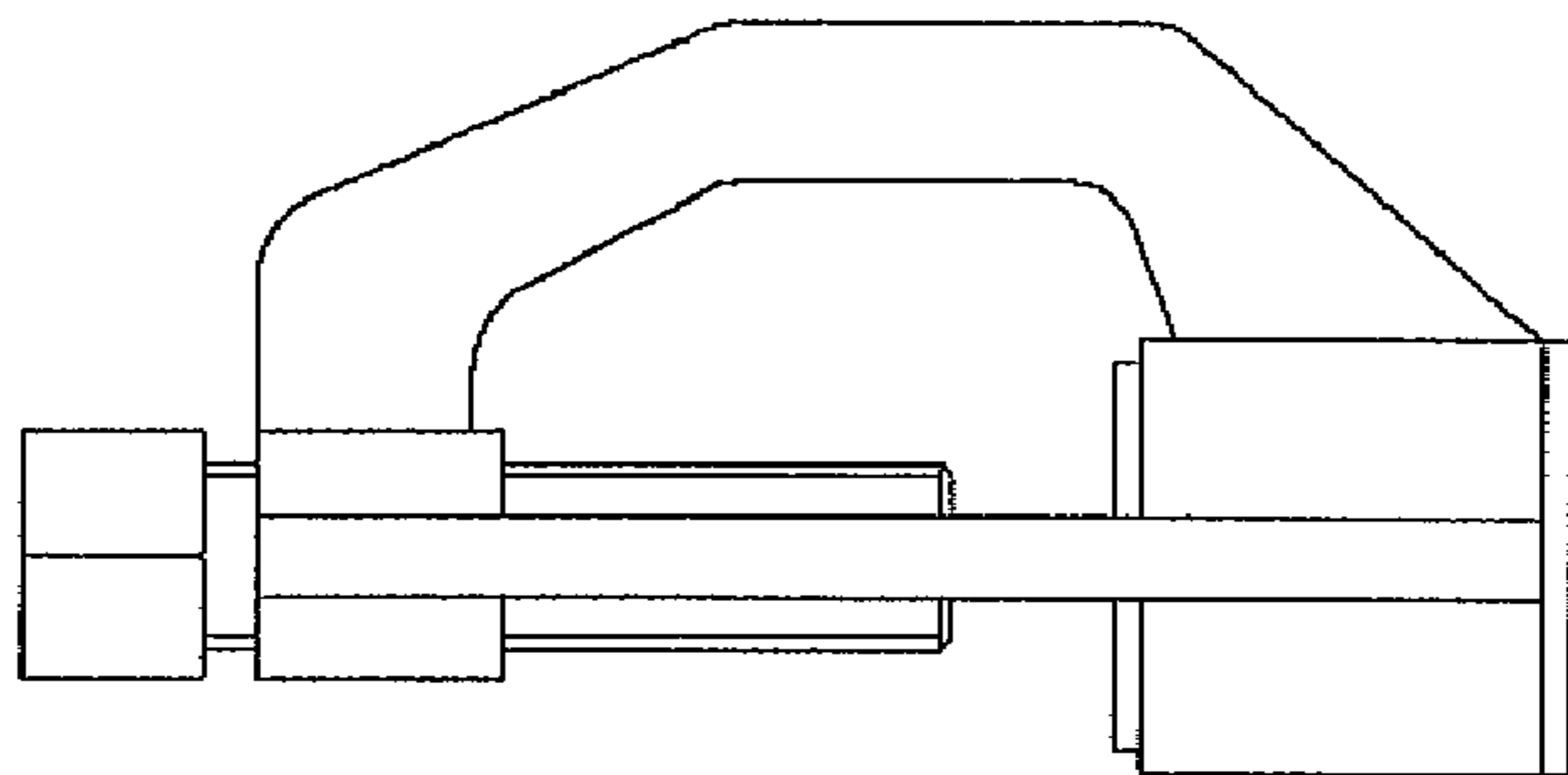


FIG. 2

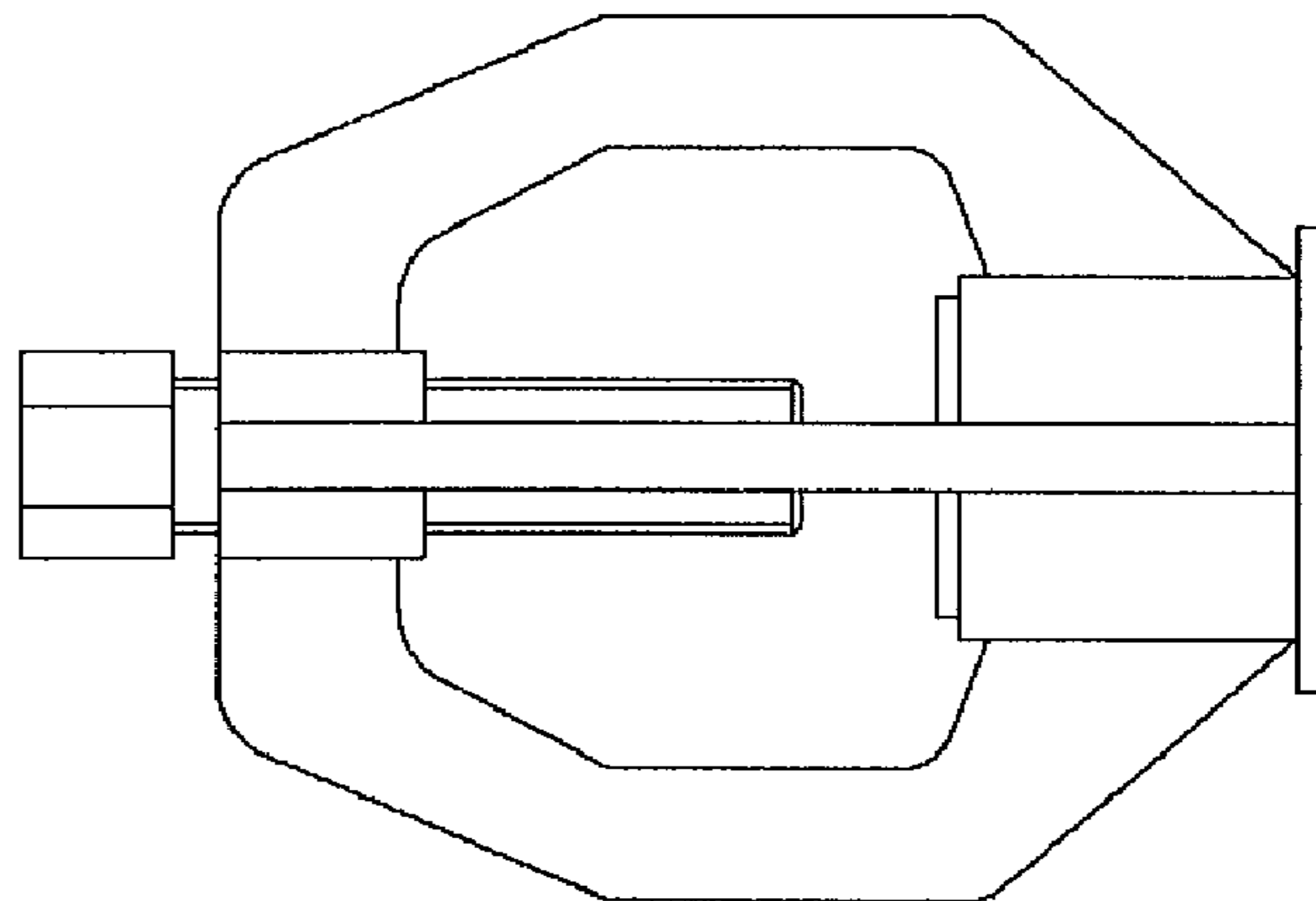


FIG. 3

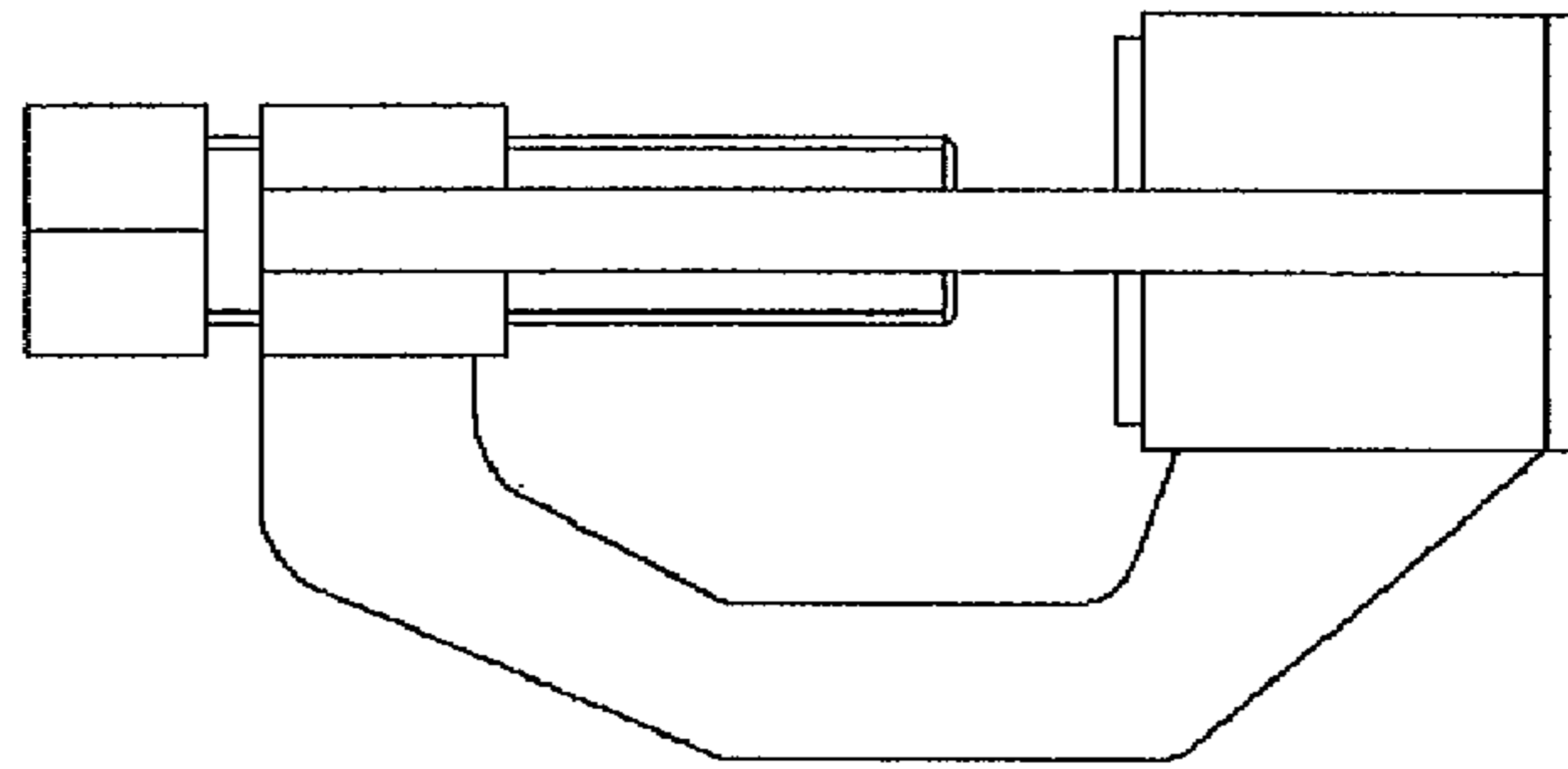


FIG. 4

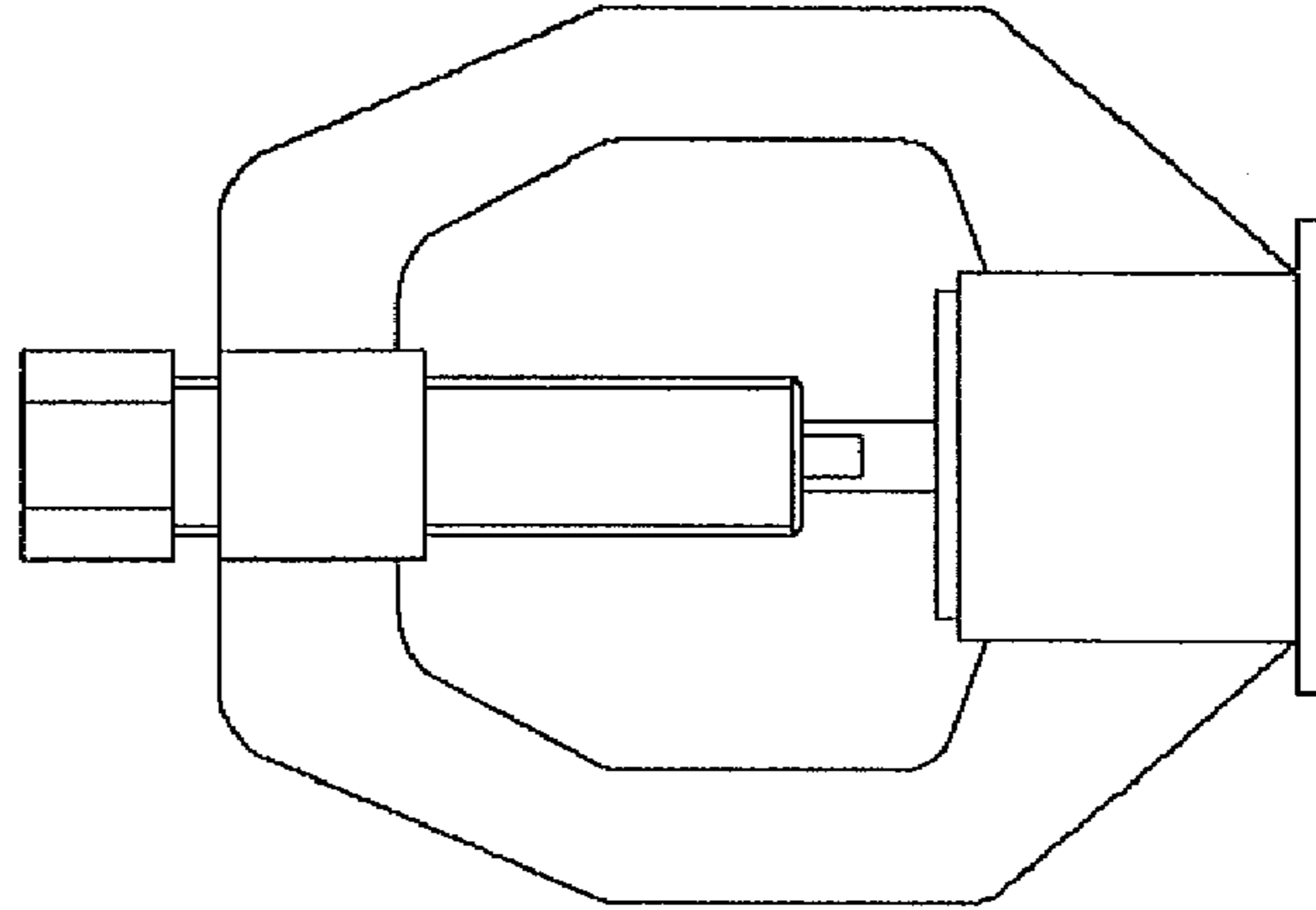


FIG. 5