

US00D544769S

(12) **United States Design Patent**
Bhavnani

(10) **Patent No.:** **US D544,769 S**

(45) **Date of Patent:** **** Jun. 19, 2007**

(54) **STAPLER WITH CLEAR WINDOW**

(75) Inventor: **Dilip Bhavnani**, Beverly Hills, CA
(US)

(73) Assignee: **Sun Coast Merchandise Corporation**,
Commerce, CA (US)

(**) Term: **14 Years**

(21) Appl. No.: **29/245,175**

(22) Filed: **Dec. 19, 2005**

(51) **LOC (8) Cl.** **19-02**

(52) **U.S. Cl.** **D8/50**

(58) **Field of Classification Search** D8/49,
D8/50, 61; D19/72; 227/120, 127, 128,
227/131, 132, 134, 156

See application file for complete search history.

(56) **References Cited**

U.S. PATENT DOCUMENTS

D248,920 S *	8/1978	Jalk et al.	D8/50
4,778,096 A *	10/1988	Ebihara	227/155
D302,377 S *	7/1989	Ancona et al.	D8/50
D306,684 S *	3/1990	Chan	D8/50
D333,957 S *	3/1993	Chan	D8/50
D350,677 S *	9/1994	Khan et al.	D8/50
D350,679 S *	9/1994	Khan et al.	D8/50
D369,729 S *	5/1996	Herbst et al.	D8/50

D431,167 S *	9/2000	Brown	D8/50
D503,877 S *	4/2005	Adams et al.	D8/50
D506,659 S *	6/2005	Bodum	D8/50
D534,776 S *	1/2007	Hong	D8/50

OTHER PUBLICATIONS

U.S. Appl. No. 29/214,244, Dilip Bhavnani.

U.S. Appl. No. 29/209,337, Dilip Bhavnani.

* cited by examiner

Primary Examiner—Cathron C. Brooks

Assistant Examiner—Austin Murphy

(74) *Attorney, Agent, or Firm*—The Soni Law Firm

(57) **CLAIM**

The ornamental design for a stapler with clear window, as shown and described.

DESCRIPTION

FIG. 1 is a front side perspective view of the present invention showing my new design;

FIG. 2 is a side view thereof;

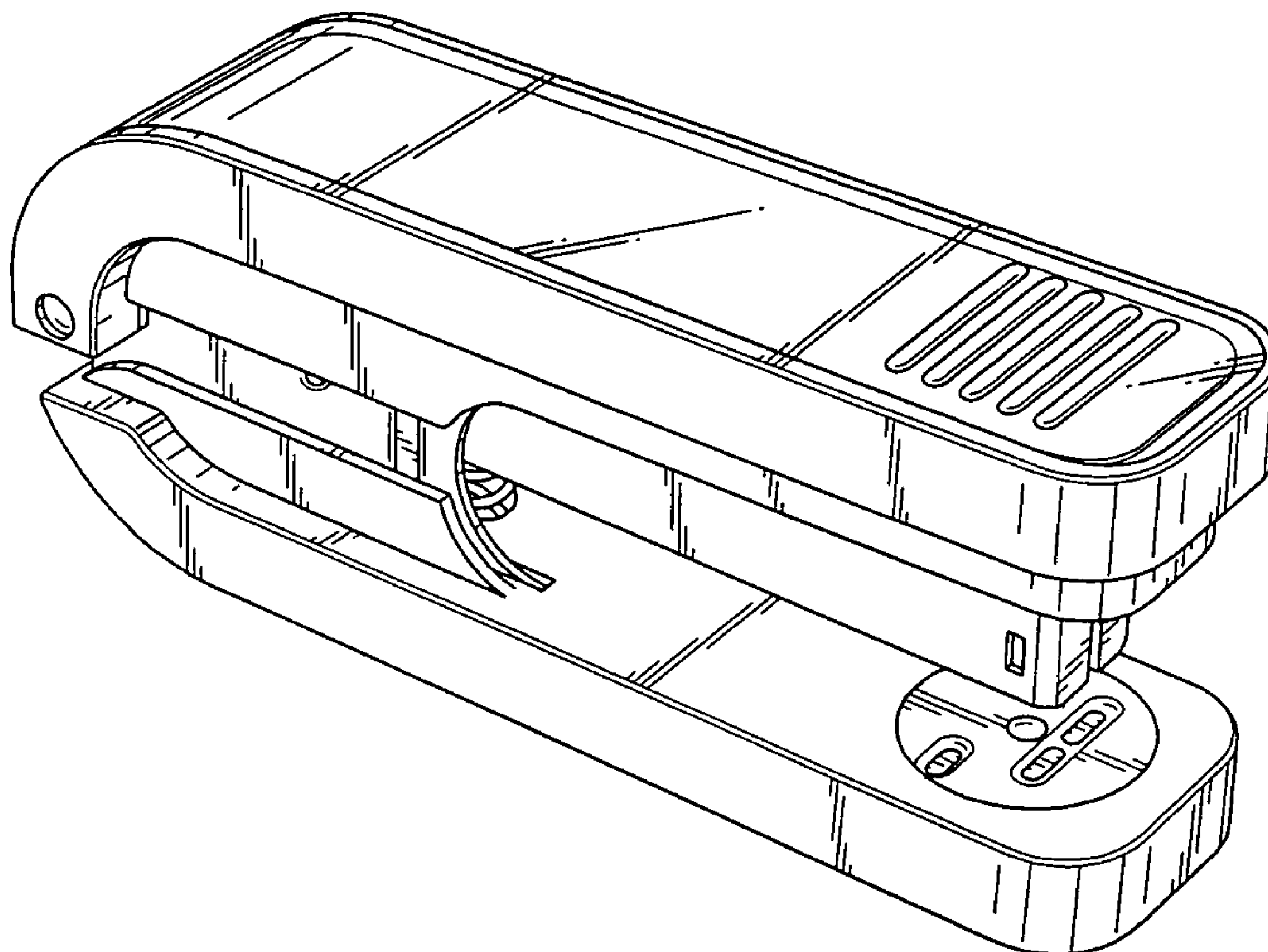
FIG. 3 is a top view thereof;

FIG. 4 is a front view thereof;

FIG. 5 is a back view thereof; and,

FIG. 6 is a bottom view thereof.

1 Claim, 2 Drawing Sheets



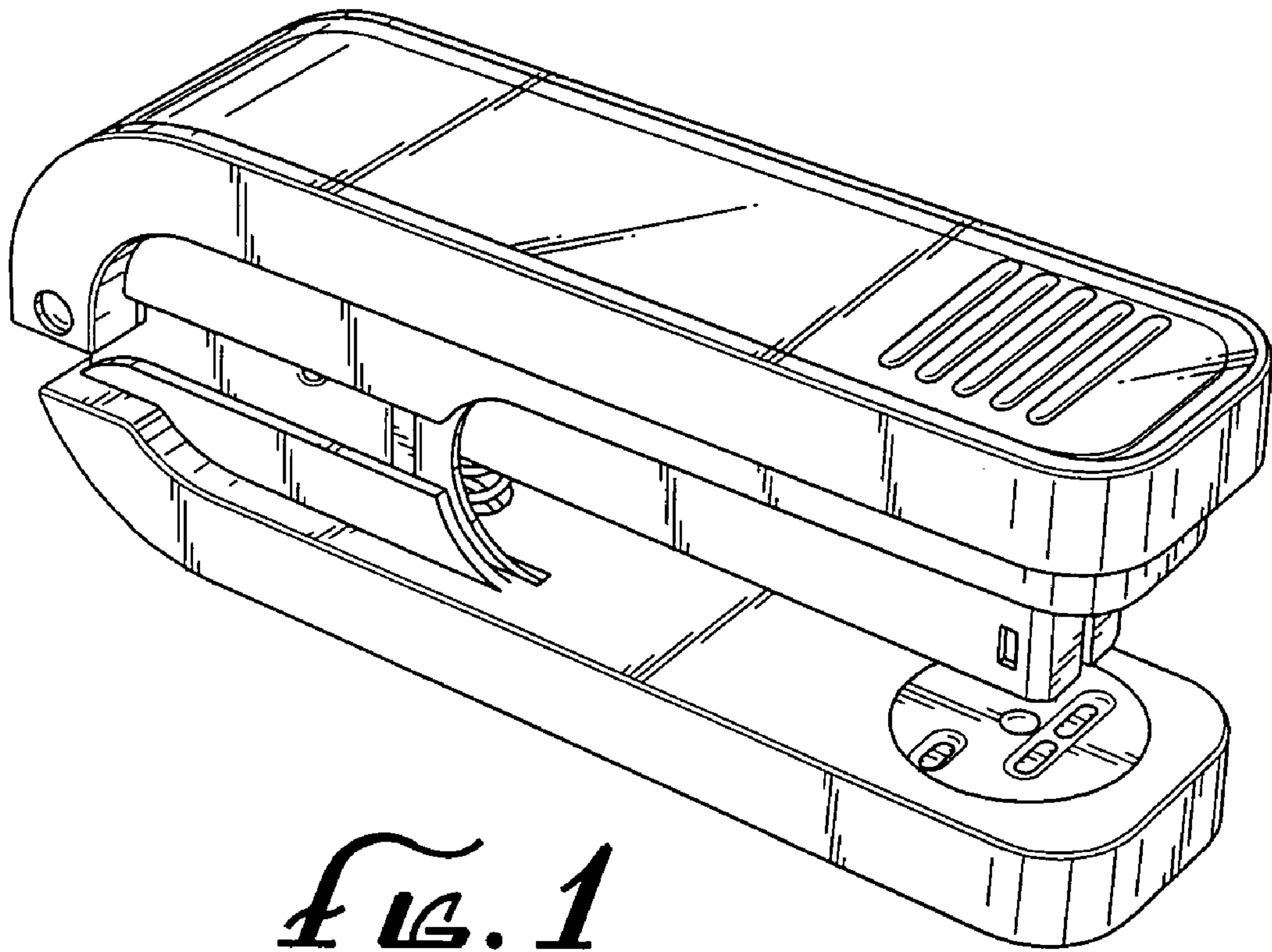


FIG. 1

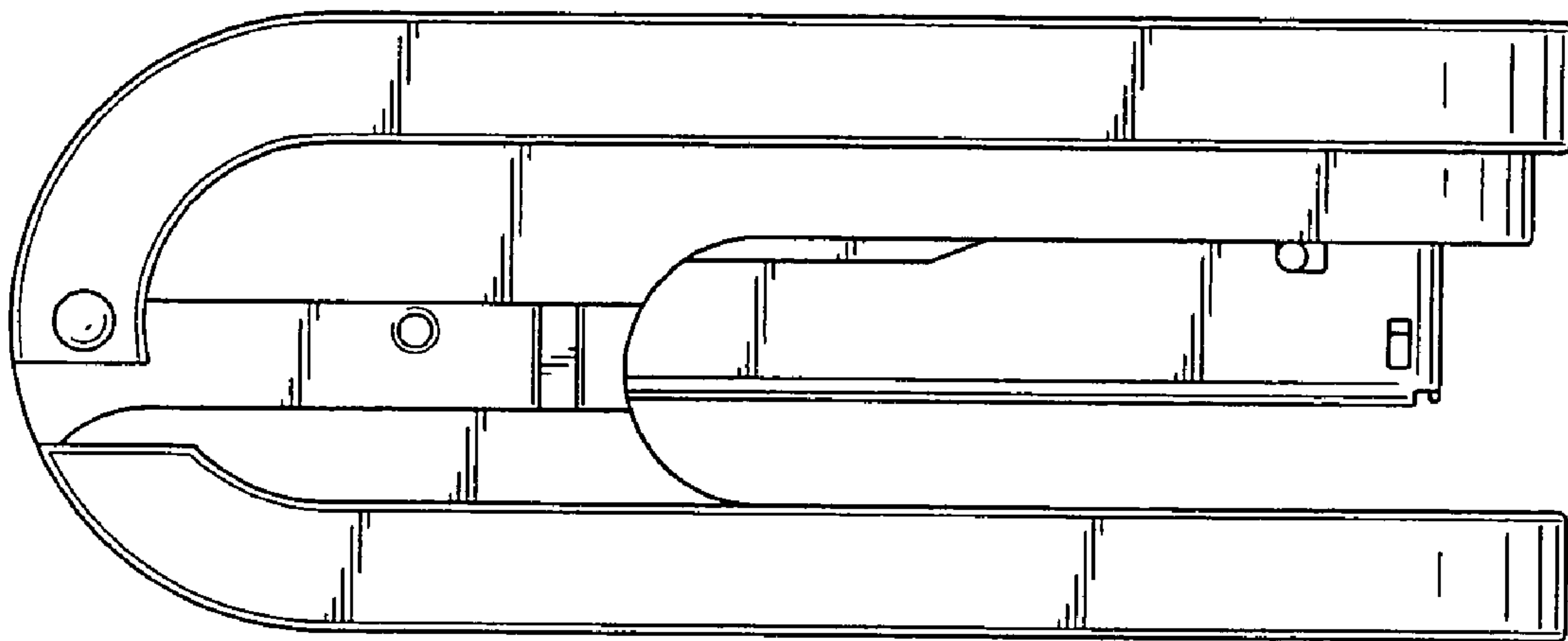


FIG. 2

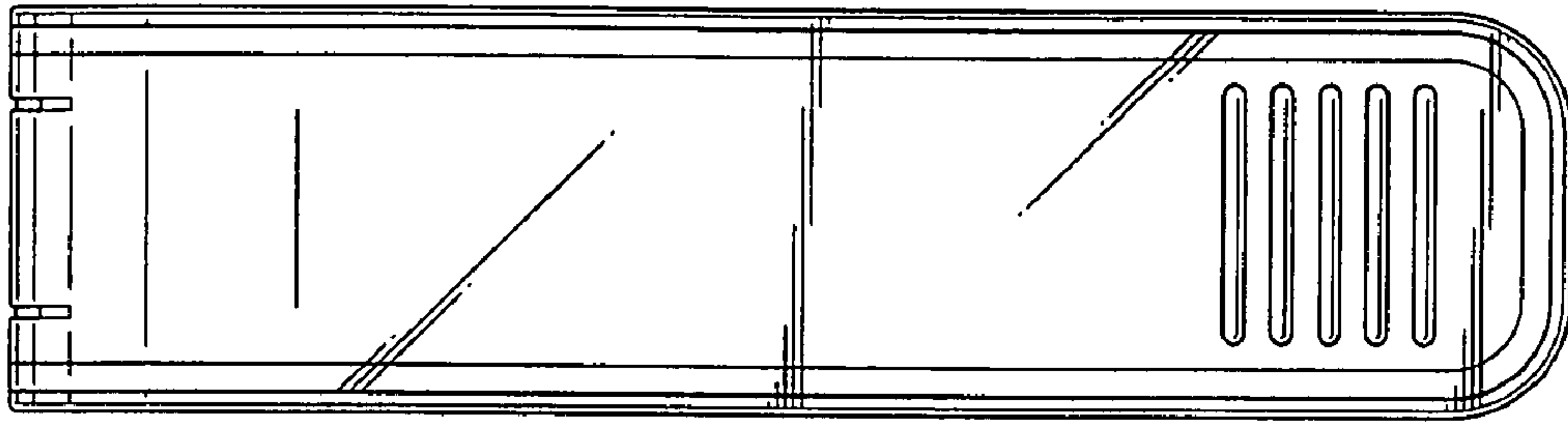


FIG. 3

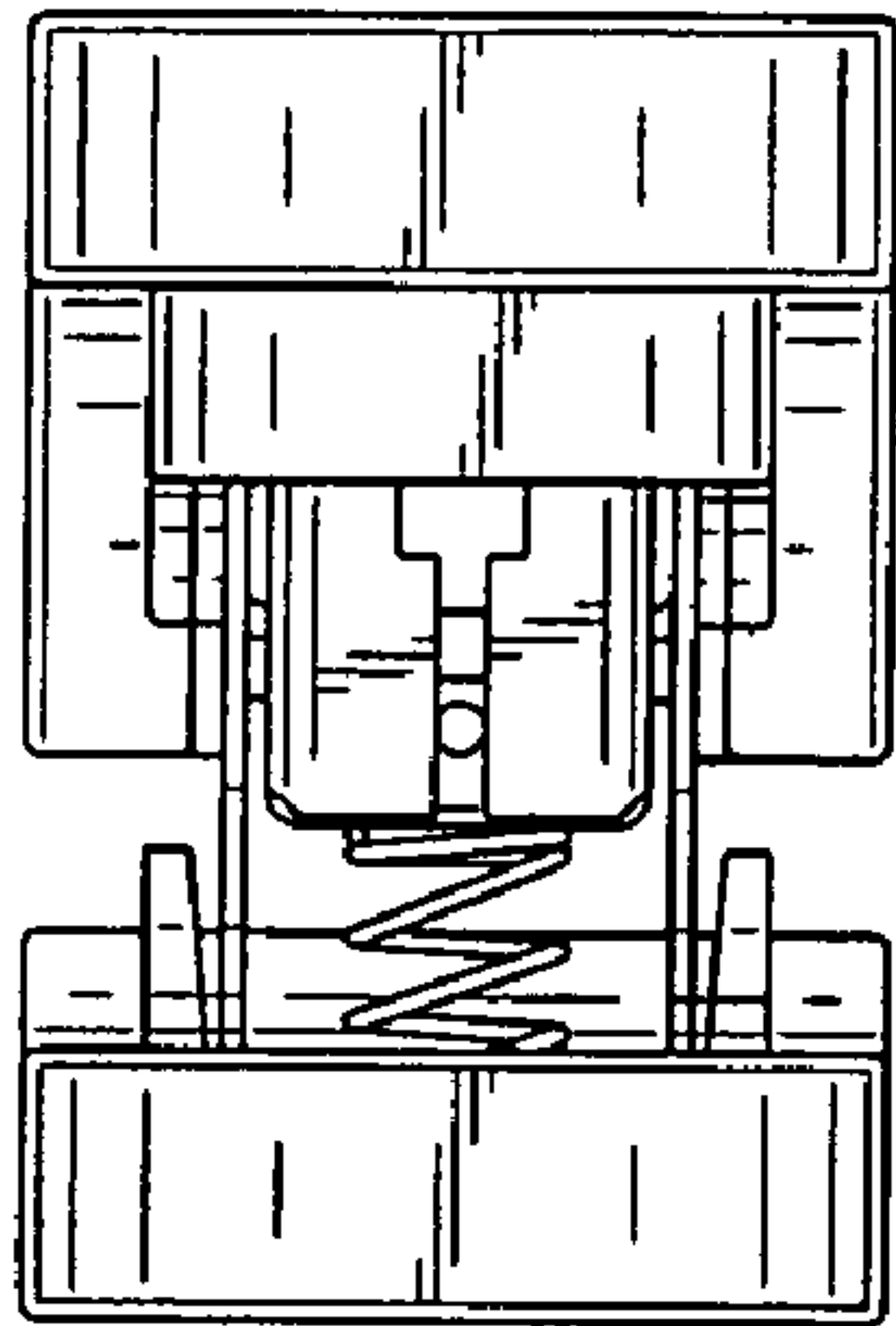


FIG. 4

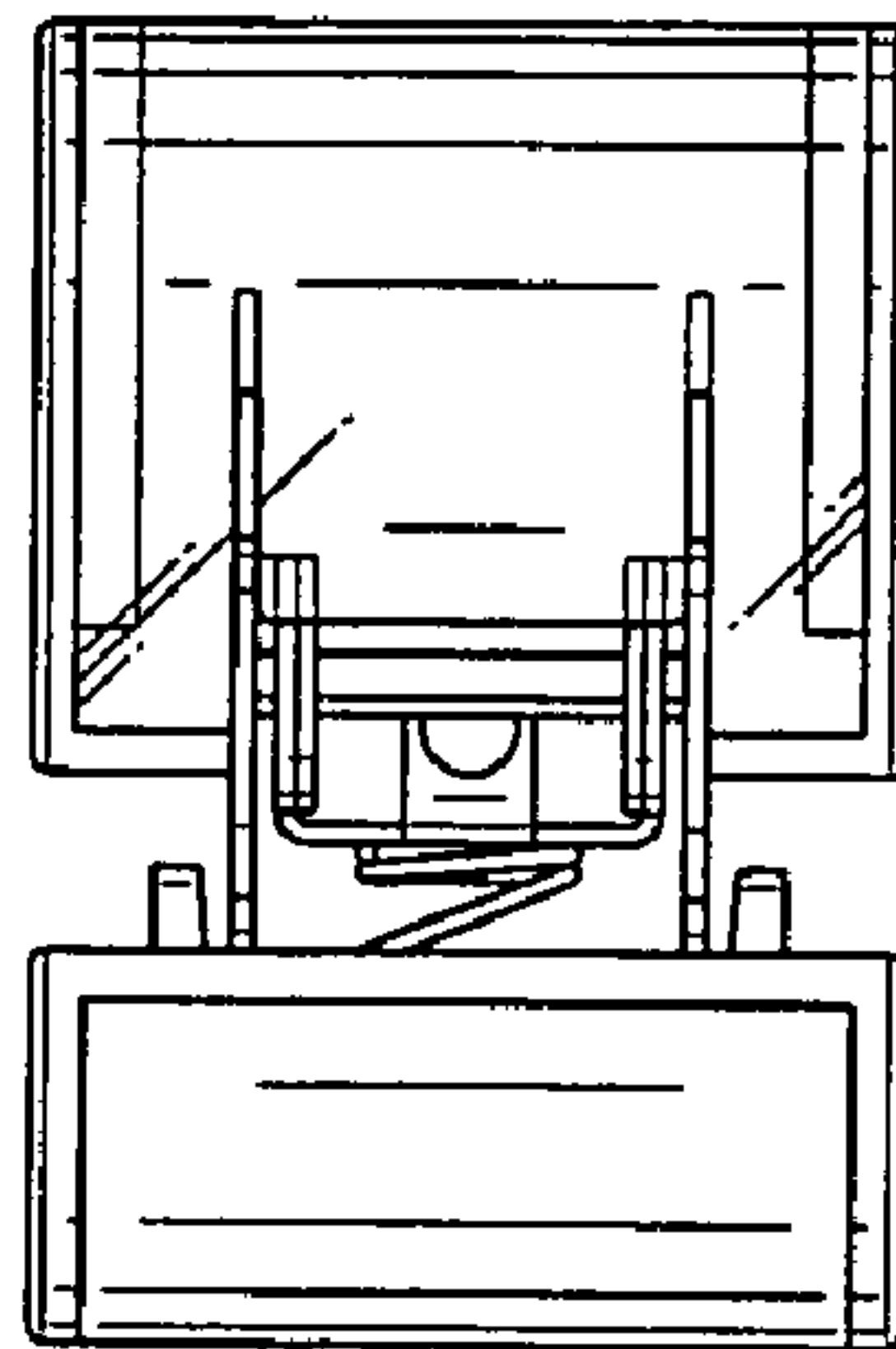


FIG. 5

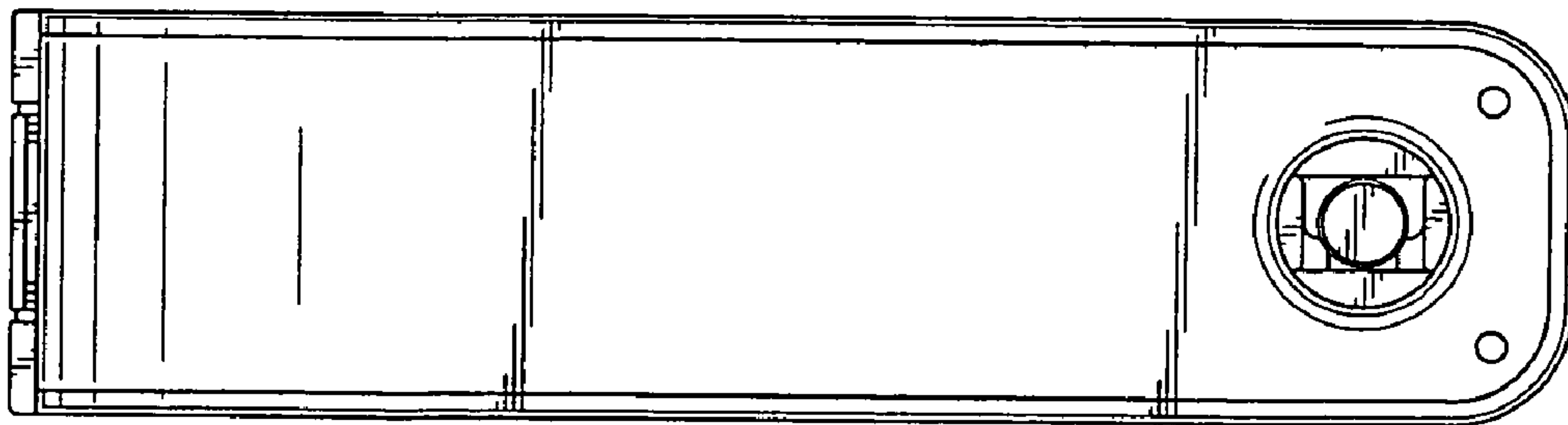


FIG. 6