

US00D544766S

(12) **United States Design Patent**
Hayes et al.

(10) **Patent No.:** **US D544,766 S**
(45) **Date of Patent:** **** Jun. 19, 2007**

(54) **REMOVABLE, COOLER-MOUNTED BOTTLE OPENER**

D468,998 S * 1/2003 Zadak D8/19

(76) Inventors: **Broderick R. Hayes**, 23010 Vermont Ave., Torrance, CA (US) 90502;
Richard Fugate, 4274 Camellia Ave., Studio City, CA (US) 91604

(**) Term: **14 Years**

(21) Appl. No.: **29/246,546**

(22) Filed: **Apr. 21, 2006**

(51) **LOC (8) Cl.** **07-99**

(52) **U.S. Cl.** **D8/37**

(58) **Field of Classification Search** D7/386,
D7/669, 680; D8/14, 16, 18, 19, 33-43,
D8/88, 98; 7/151-156; 30/1.5, 113.1-113.3,
30/408, 409; 81/3.07, 3.25, 3.27, 3.31, 3.35,
81/3.36, 3.4, 3.44, 3.45, 3.47-3.49, 3.55-3.57
See application file for complete search history.

(56) **References Cited**

U.S. PATENT DOCUMENTS

1,029,645	A *	6/1912	Vaughan	81/3.27
1,561,519	A *	11/1925	Mathews	81/3.27
1,711,678	A *	5/1929	Harding	81/3.27
1,880,985	A *	10/1932	Saunders	81/3.25
2,593,053	A *	4/1952	Porter, Jr.	81/3.27
2,599,462	A *	6/1952	Kowarsch	81/3.44
2,694,324	A *	11/1954	Goldsmith	81/3.27
D277,546	S *	2/1985	Trotta	D8/16
D289,972	S *	5/1987	Fogelman	D8/371

OTHER PUBLICATIONS

Assorted Wall-Mounted Openers: "Soda Advertising Openers," p. 85 by Donald A Bull & John R. Stanely, © 2000, ISBN: 0-7643-1056-9.*

* cited by examiner

Primary Examiner—Robert M. Spear

Assistant Examiner—Garth Rademaker

(74) *Attorney, Agent, or Firm*—Norton R. Townsley; Belasco Jacobs & Townsley, LLP

(57) **CLAIM**

The ornamental design for a removable, cooler-mounted bottle opener, as shown and described.

DESCRIPTION

FIG. 1 is a perspective view of a removable, cooler-mounted bottle opener, the broken line showing of environmental matter being for illustrative purposes only and forming no part of the claimed design;

FIG. 2 is a front elevational view thereof;

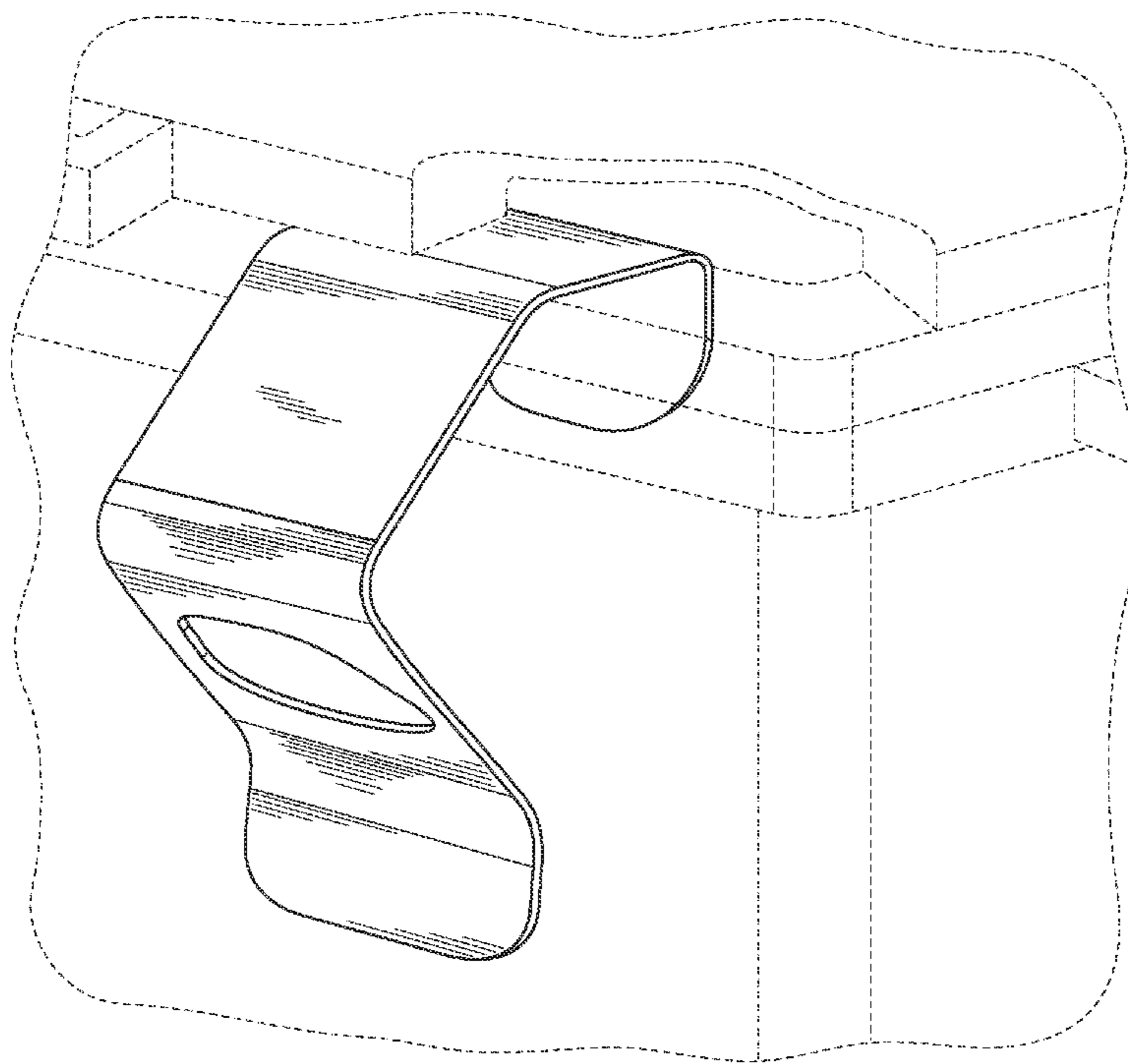
FIG. 3 is a rear elevational view thereof;

FIG. 4 is a left side elevational view thereof, the right side elevational view being a mirror image thereof;

FIG. 5 is a top plan view thereof; and,

FIG. 6 is a bottom plan view thereof.

1 Claim, 4 Drawing Sheets



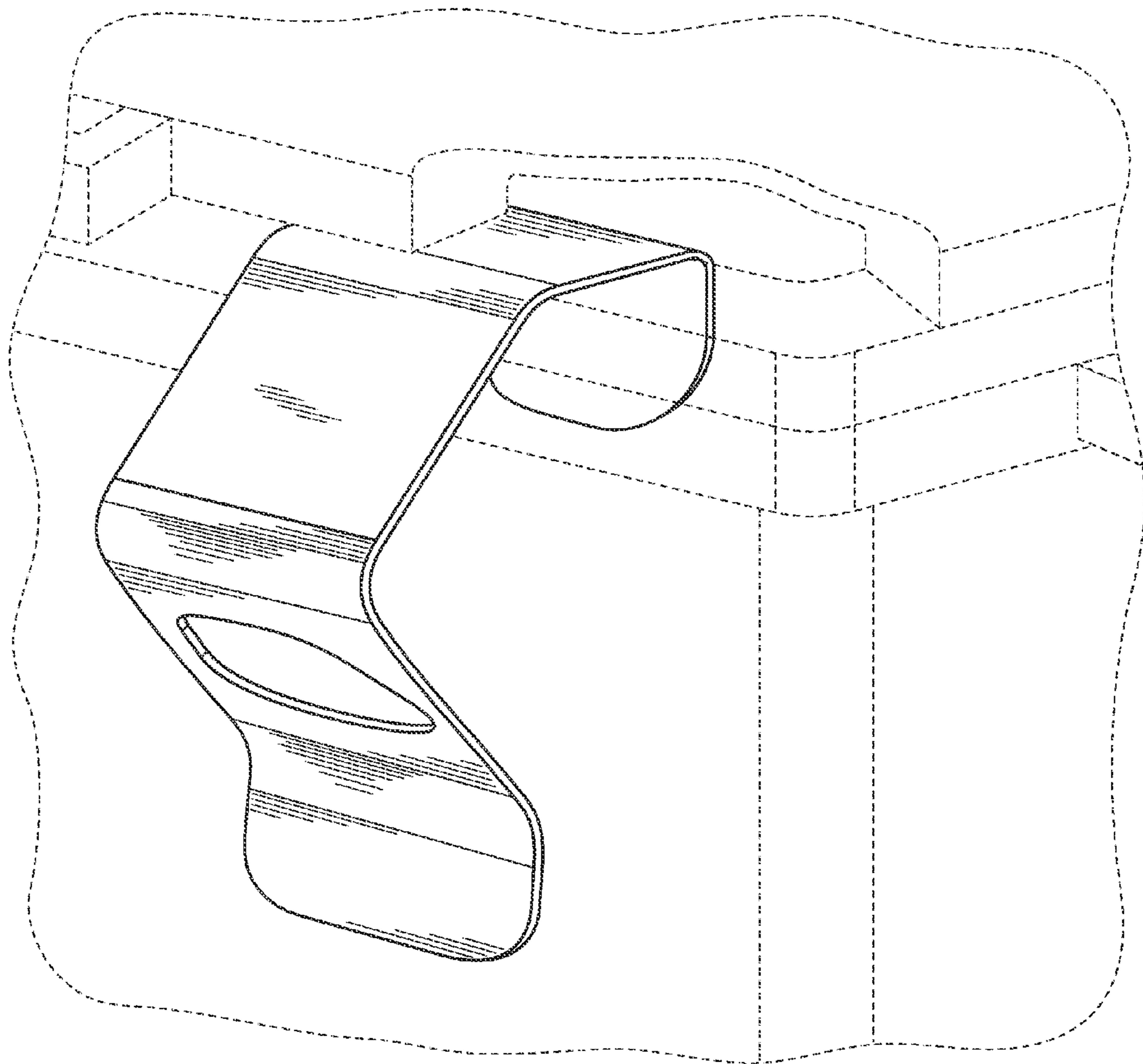


FIG. 1

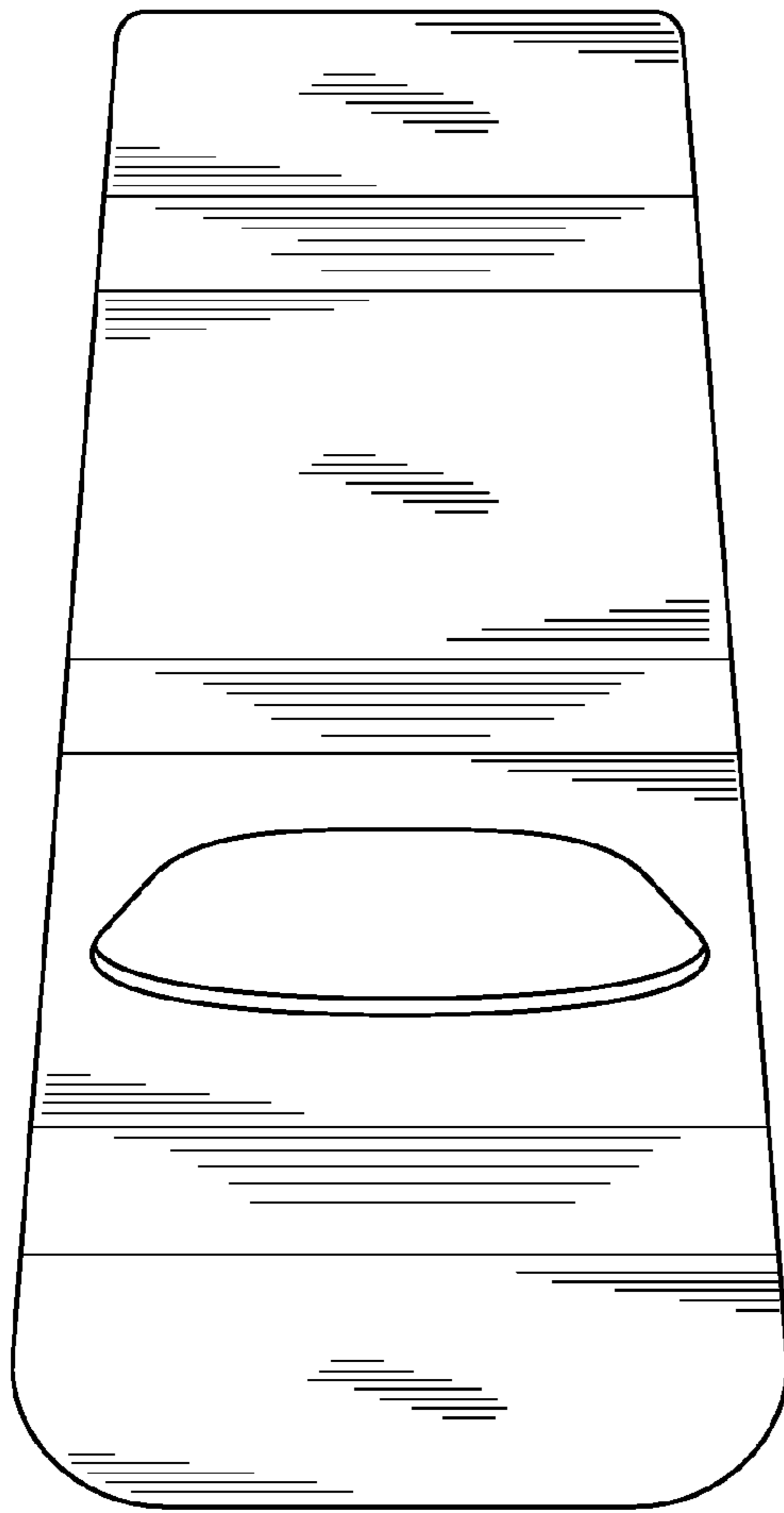


FIG. 2

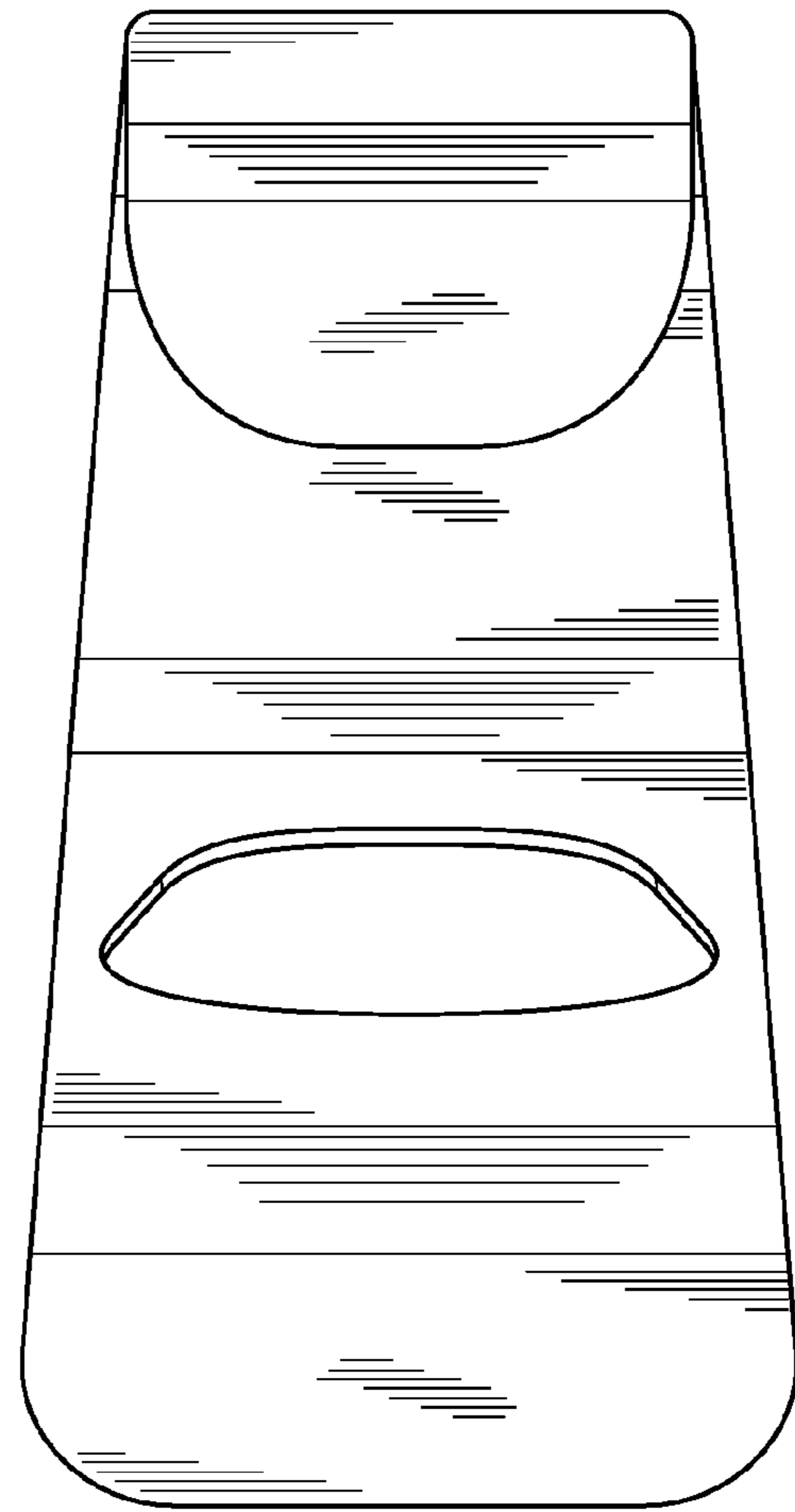


FIG. 3

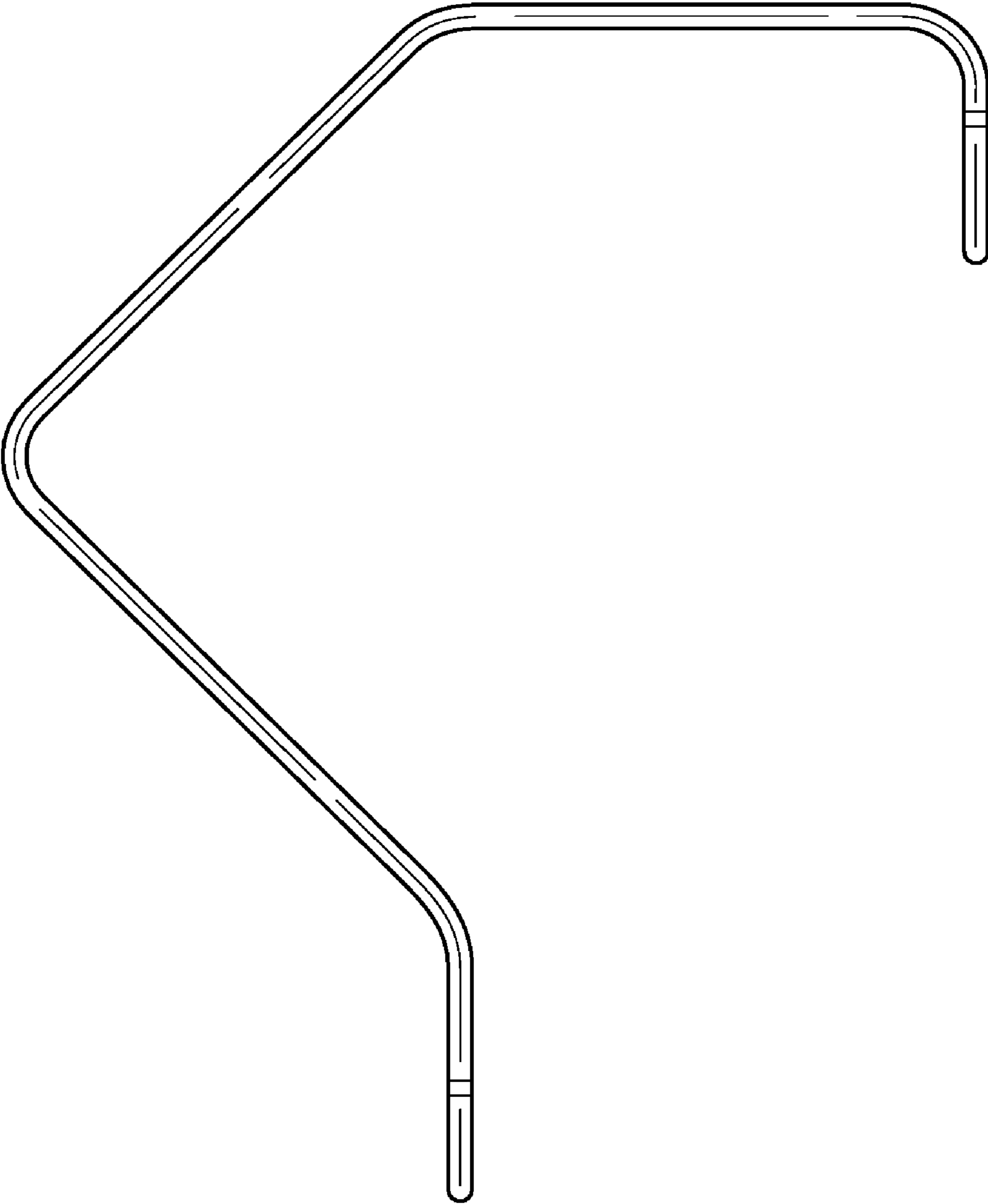


FIG. 4

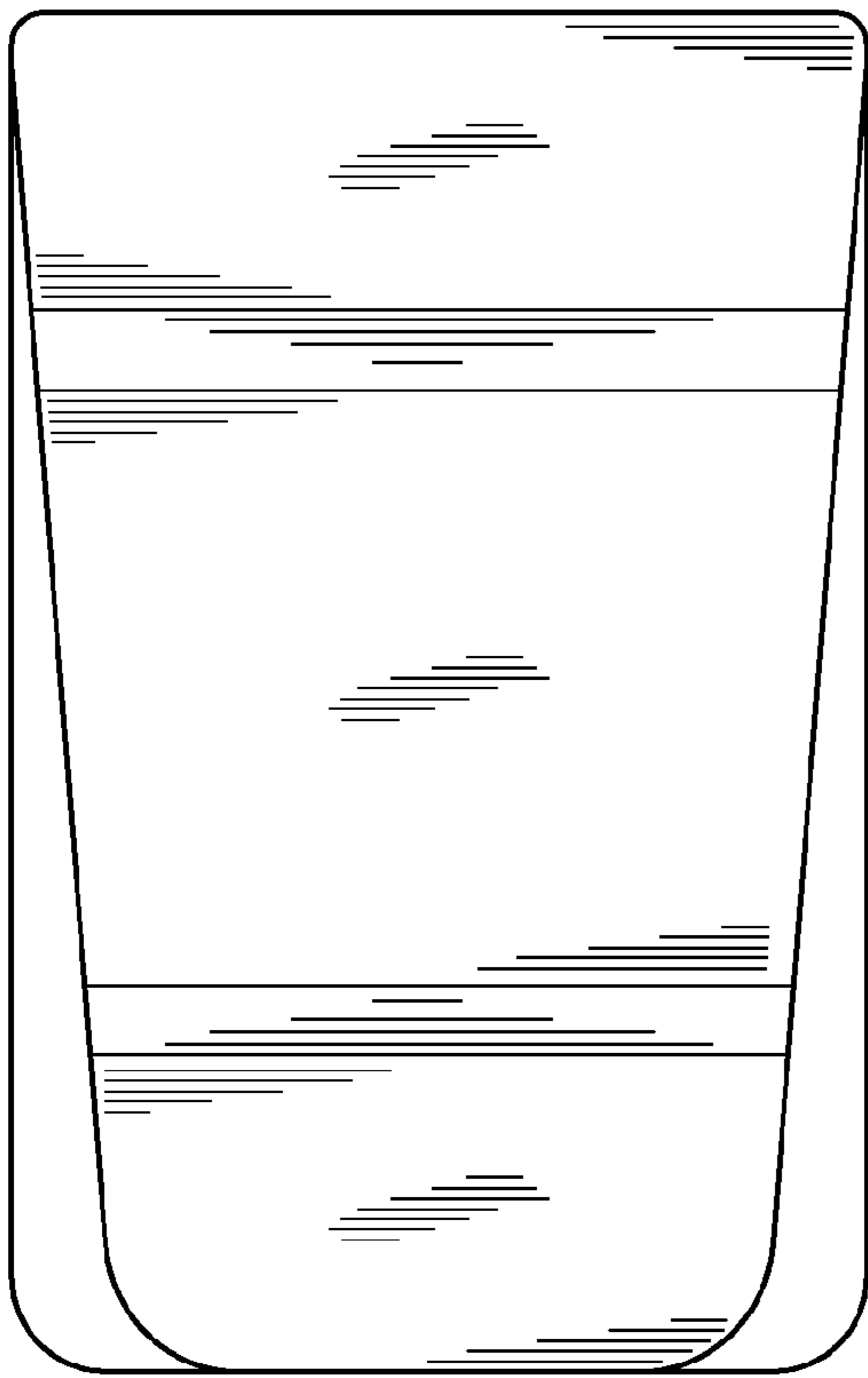


FIG. 5

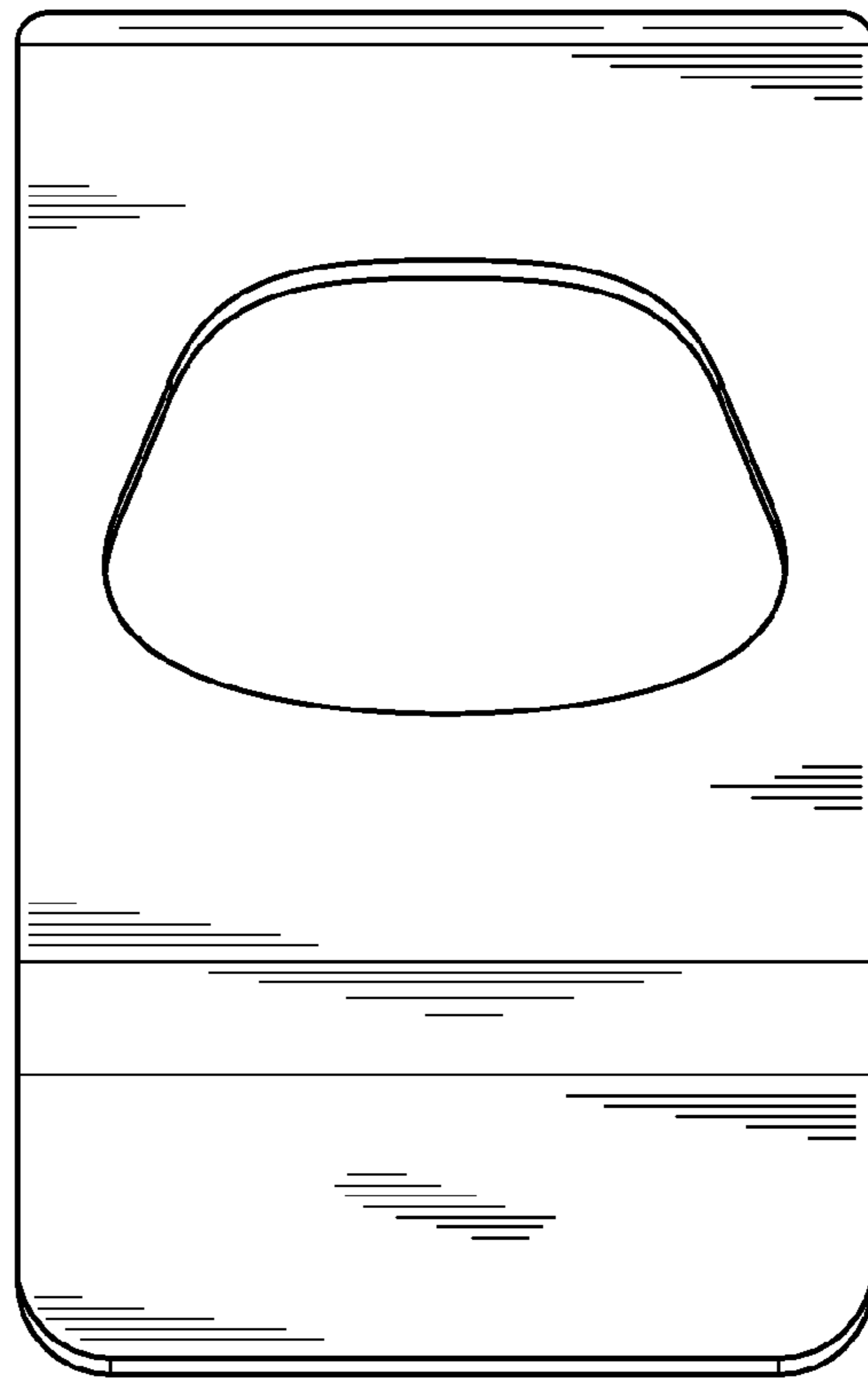


FIG. 6