



US00D544763S

(12) **United States Design Patent**
Hine

(10) **Patent No.:** **US D544,763 S**

(45) **Date of Patent:** **** Jun. 19, 2007**

(54) **CUTLERY SET**

(76) Inventor: **Andrew Hine**, 16 Glenview Rd.,
Boxmoor, Hemel Hempstead HP1 1TE
(GB)

(**) Term: **14 Years**

(21) Appl. No.: **29/216,892**

(22) Filed: **Nov. 9, 2004**

(30) **Foreign Application Priority Data**

May 11, 2004 (EM) 000180211

(51) **LOC (8) Cl.** **07-03**

(52) **U.S. Cl.** **D7/642**

(58) **Field of Classification Search** D7/393,
D7/395, 401.2, 642, 645, 649, 650, 652, 653,
D7/662-664; D8/75, 80, 83, 87, 98, 99, 102,
D8/107, 300, 303; 30/142, 346, 147-150,
30/329, 340, 342-345; D22/117, 118

See application file for complete search history.

(56) **References Cited**

U.S. PATENT DOCUMENTS

D166,407 S * 4/1952 Nevelson D7/663
D177,740 S * 5/1956 Latham D7/652
D180,760 S * 8/1957 Baer D7/649
D189,913 S * 3/1961 Quistgaard D7/649
D202,892 S * 11/1965 Centa D7/649
D208,036 S * 7/1967 Toffolon D7/663
4,317,284 A * 3/1982 Prindle 30/340
D403,559 S * 1/1999 Terenzio D7/650
D410,176 S * 5/1999 Stokes D7/649
D470,021 S * 2/2003 Jalet D7/649
D483,991 S * 12/2003 Poupel D7/401.2
D490,664 S * 6/2004 Shane-Schuldt D7/662
D491,026 S * 6/2004 Welch D7/652

FOREIGN PATENT DOCUMENTS

GB 3023423 * 12/2005

* cited by examiner

Primary Examiner—Cathron C. Brooks

Assistant Examiner—Ricky Pham

(74) *Attorney, Agent, or Firm*—Bradley N. Ruben

(57) **CLAIM**

The ornamental design for a cutlery set, as shown.

DESCRIPTION

FIG. 1 is a perspective view as seen from the left-hand side of a knife for the cutlery set of my new design;

FIG. 2 is a bottom elevation view of the knife;

FIG. 3 is a left side elevation view of the knife;

FIG. 4 is a rear elevation view of the knife;

FIG. 5 is a front elevation view of the knife;

FIG. 6 is a sectional view taken along the line 6-6 in FIG. 2;

FIG. 7 is a sectional view taken along the line 7-7 in FIG. 2;

FIG. 8 is a sectional view taken along the line 8-8 in FIG. 2;

FIG. 9 is a sectional view taken along the line 9-9 in FIG. 2;

FIG. 10 is a sectional view taken along the line 10-10 in FIG. 2;

FIG. 11 is a sectional view taken along the line 11-11 in FIG. 2; and

FIG. 12 is a sectional view taken along the line 12-12 in FIG. 2;

FIG. 13 is a bottom elevation view of a fork for the cutlery set of my new design;

FIG. 14 is a right side elevation view of the fork;

FIG. 15 is a sectional view taken along the line 15-15 in FIG. 13;

FIG. 16 is a sectional view taken along the line 16-16 in FIG. 13;

FIG. 17 is a sectional view taken along the line 17-17 in FIG. 13;

FIG. 18 is a sectional view taken along the line 18-18 in FIG. 13;

FIG. 19 is a sectional view taken along the line 19-19 in FIG. 13;

FIG. 20 is a bottom elevation view of a spoon for the cutlery set of my new design;

FIG. 21 is a right side elevation view of the spoon;

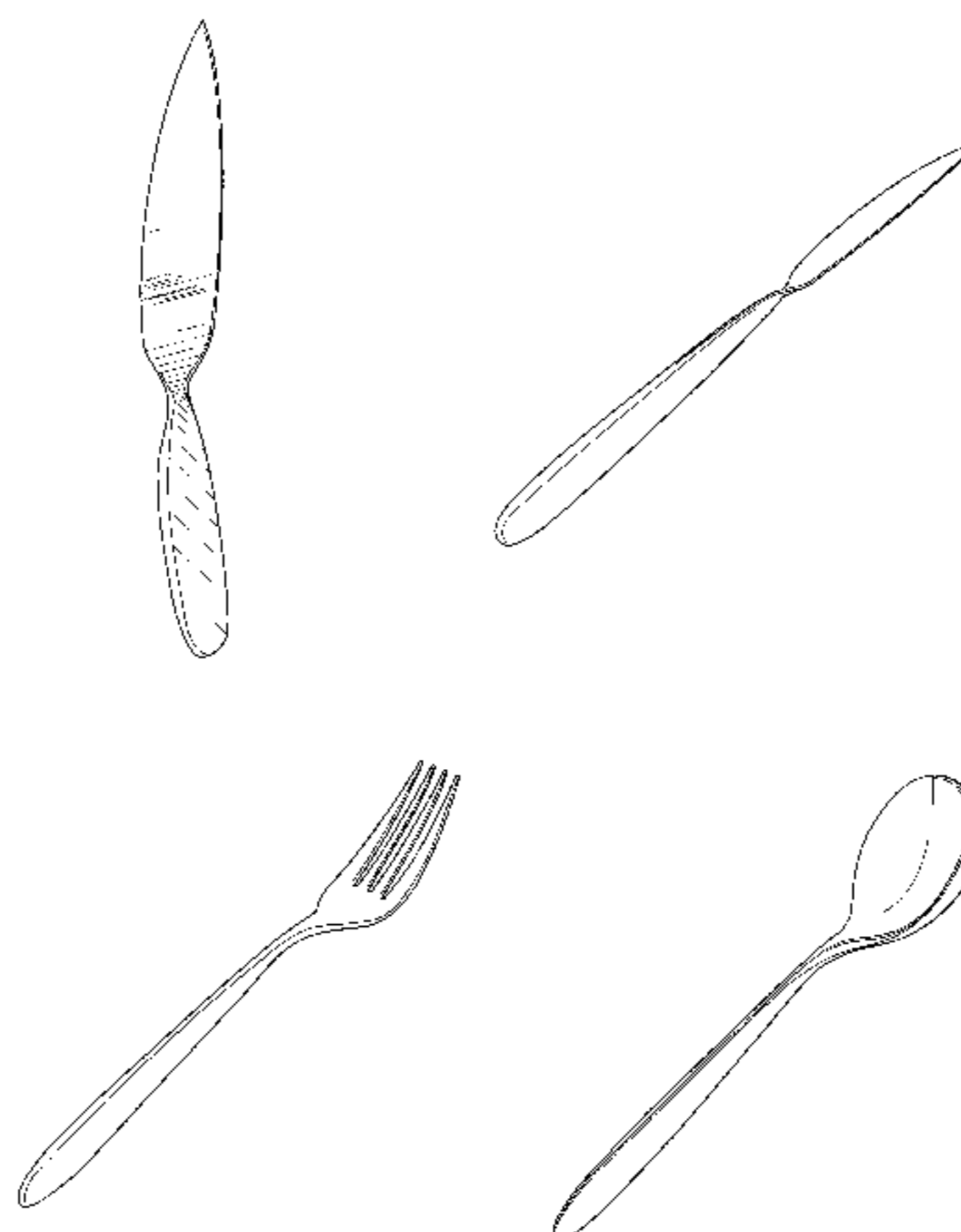


FIG. 22 is a sectional view taken along the line 22-22 in FIG. 20;
FIG. 23 is a sectional view taken along the line 23-23 in FIG. 20;
FIG. 24 is a sectional view taken along the line 24-24 in FIG. 20;
FIG. 25 is a sectional view taken along the line 25-25 in FIG. 20;
FIG. 26 is a sectional view taken along the line 26-26 in FIG. 20;
FIG. 27 is a bottom elevation view of a second knife for the cutlery set of my new design;
FIG. 28 is a left side elevation view of the knife of FIG. 27;
FIG. 29 is a top elevation view of the knife of FIG. 27;
FIG. 30 is a sectional view taken along the line 30-30 in FIG. 27;
FIG. 31 is a sectional view taken along the line 31-31 in FIG. 27;

FIG. 32 is a sectional view taken along the line 32-32 in FIG. 27;
FIG. 33 is a sectional view taken along the line 33-33 in FIG. 27;
FIG. 34 is a sectional view taken along the line 34-34 in FIG. 27;
FIG. 35 is a sectional view taken along the line 35-35 in FIG. 27;
FIG. 36 is a perspective view of the second knife as it lies on its right side;
FIG. 37 is a perspective view of the fork viewed from the right side; and,
FIG. 38 is a perspective view of the spoon as viewed from the right side.

1 Claim, 8 Drawing Sheets

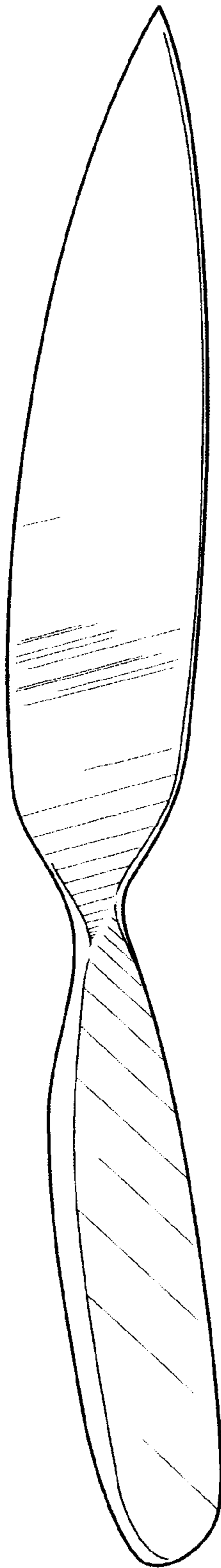


Fig. 1

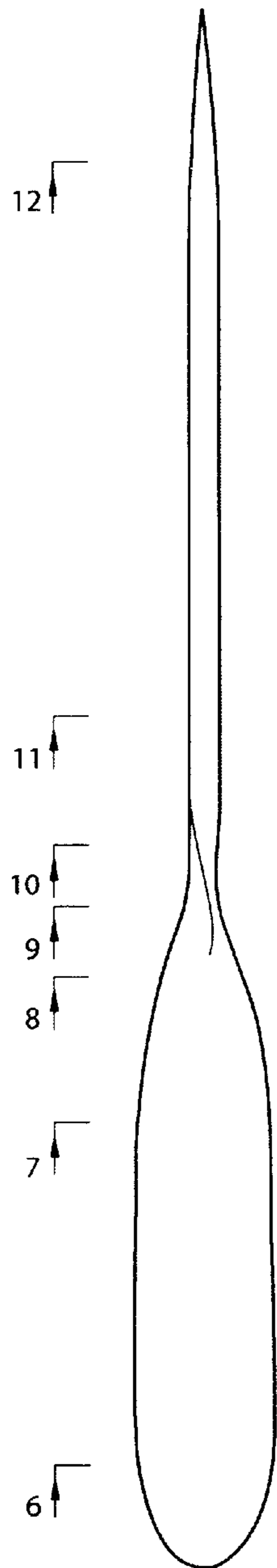


Fig.2

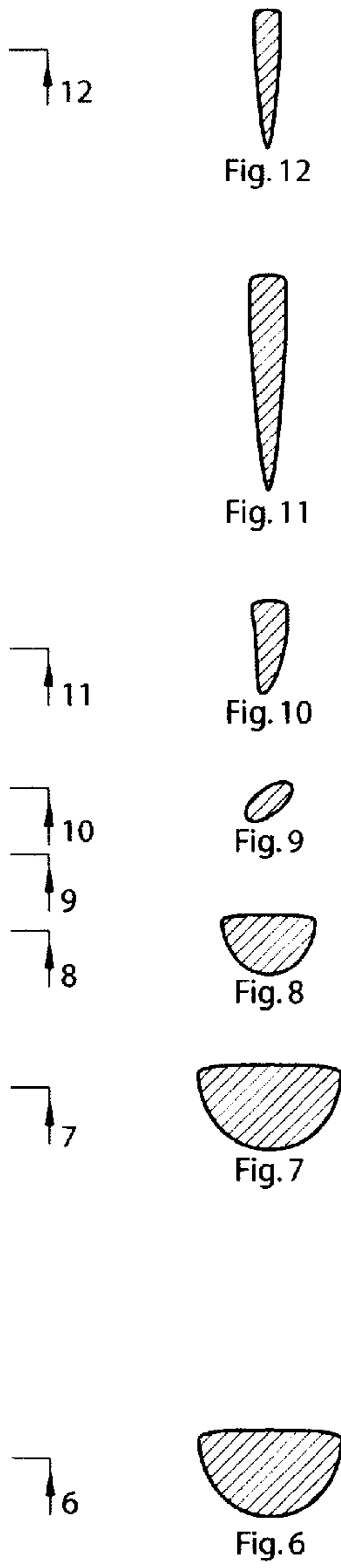


Fig.6

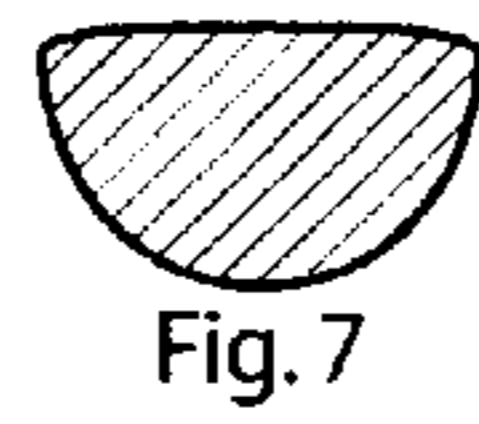


Fig.7



Fig.8



Fig.9



Fig.10

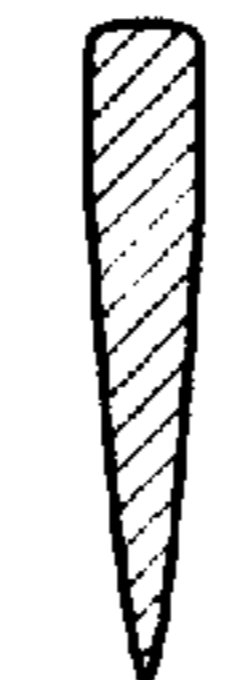


Fig.11



Fig.12

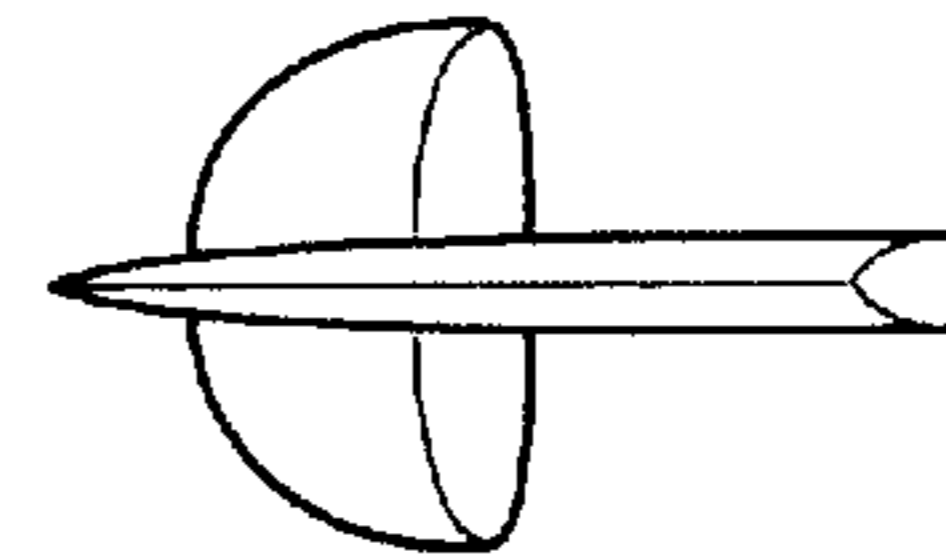


Fig.5

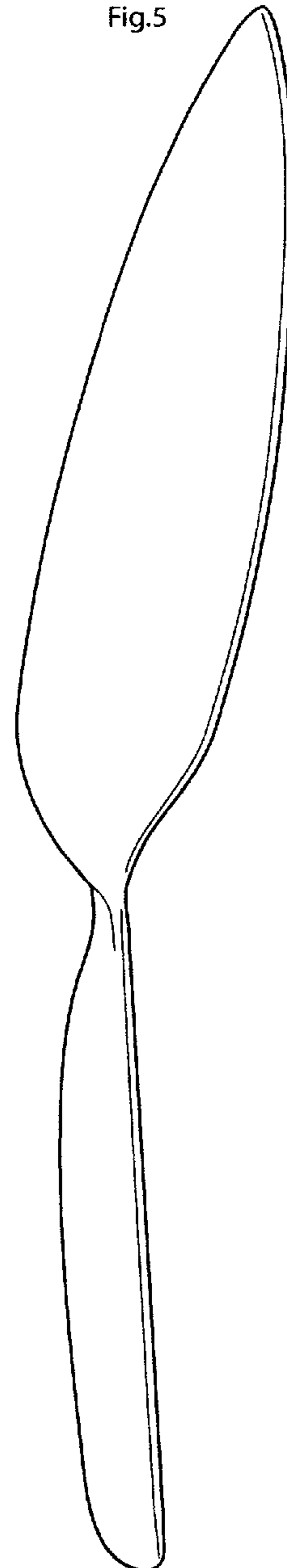


Fig.3

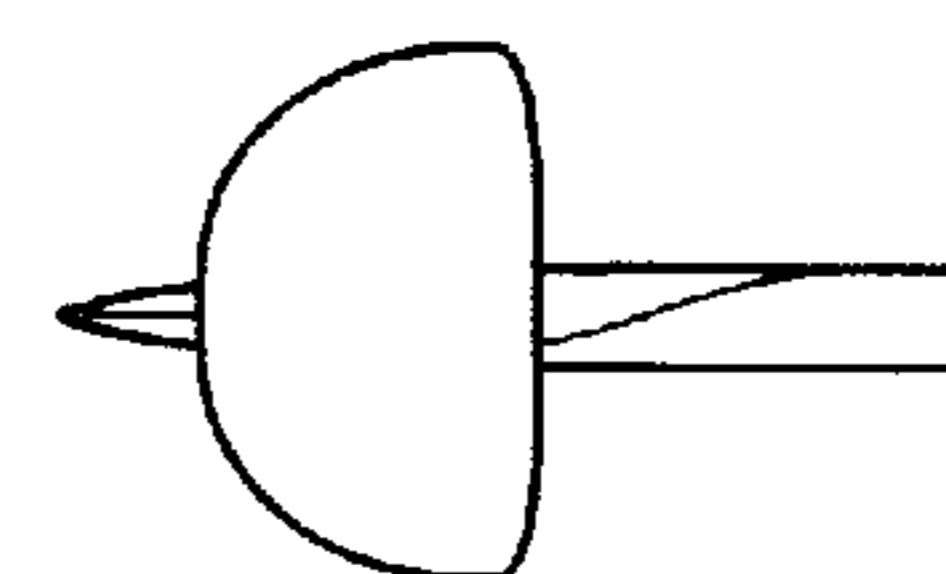


Fig.4

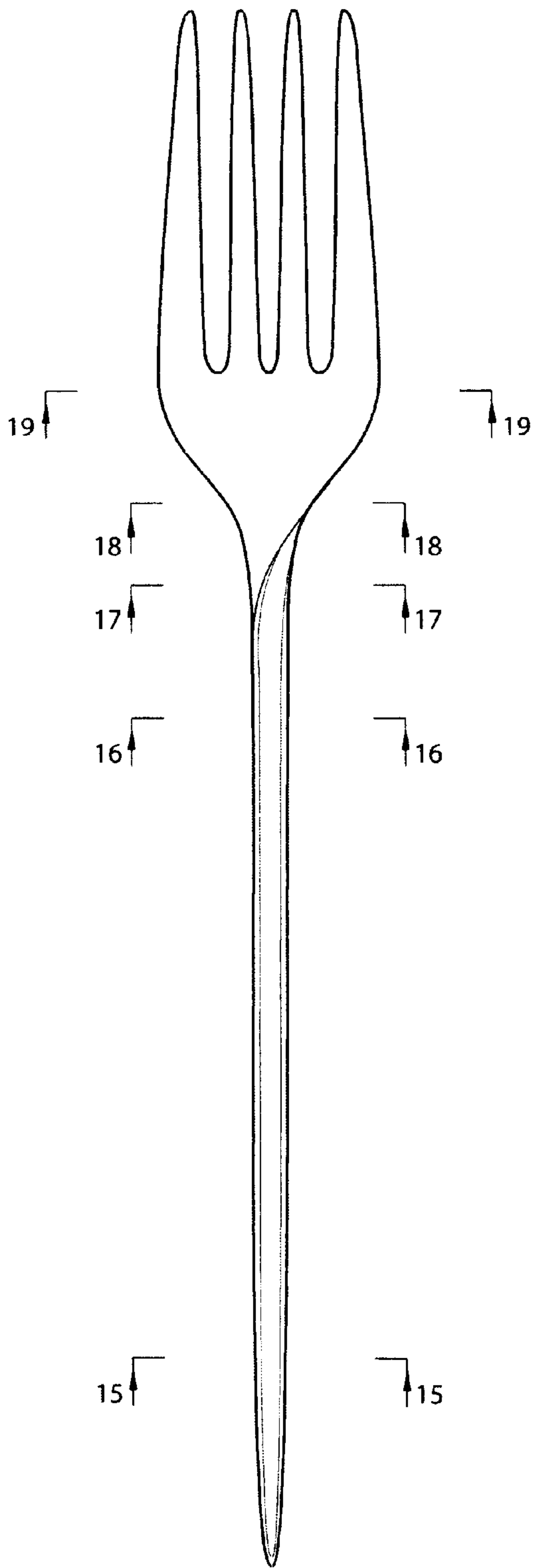


Fig.13



Fig.19



Fig.18



Fig.17



Fig.16



Fig.15

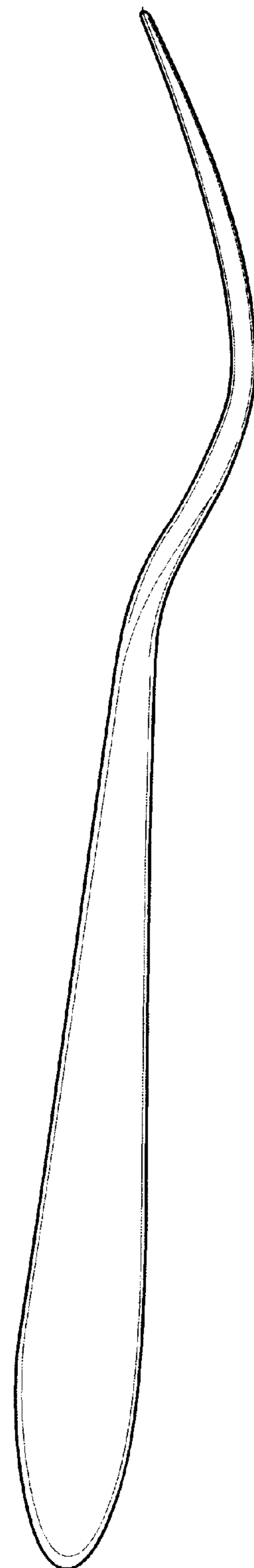


Fig.14

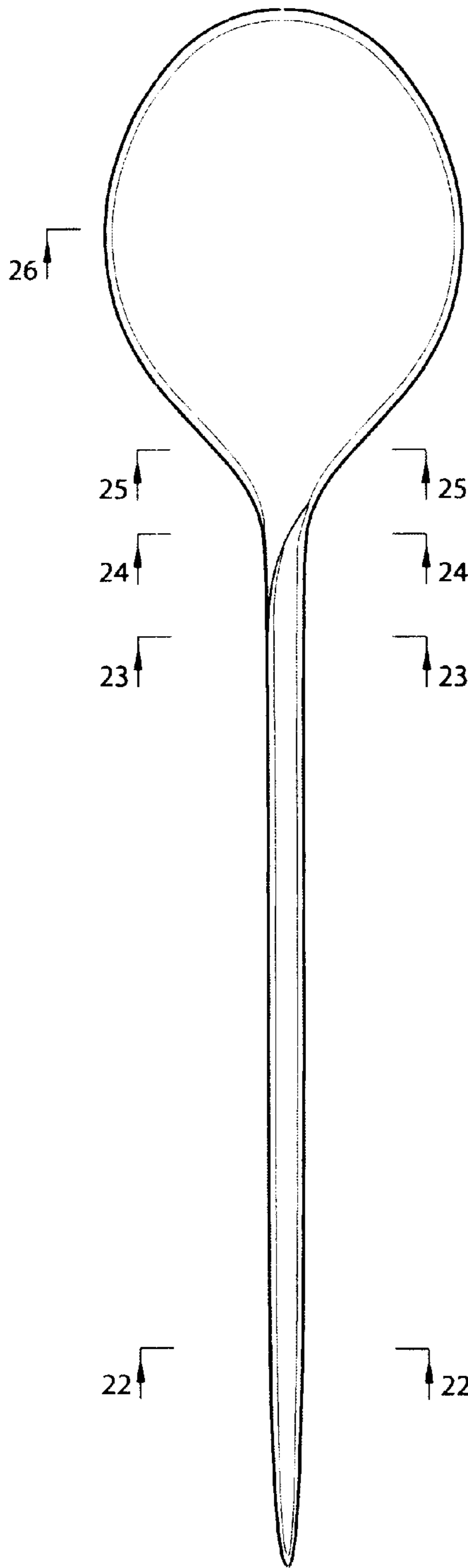


Fig.20



Fig.26



Fig.25



Fig.24



Fig.23



Fig.22

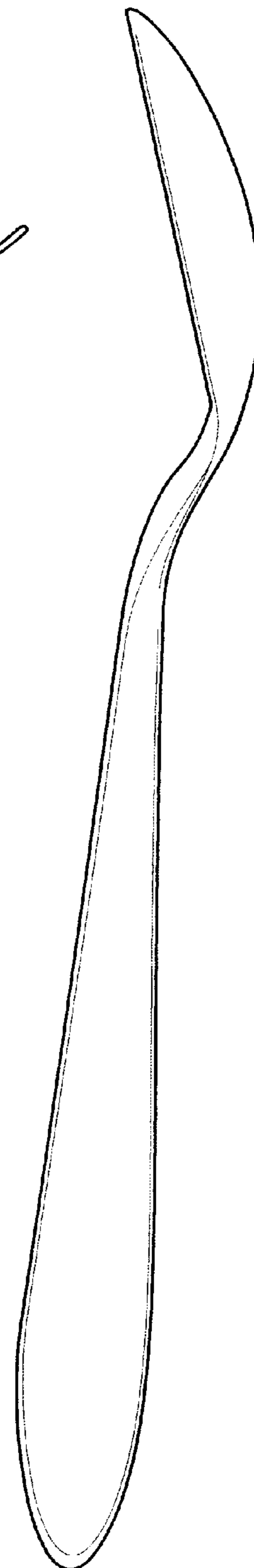


Fig.21

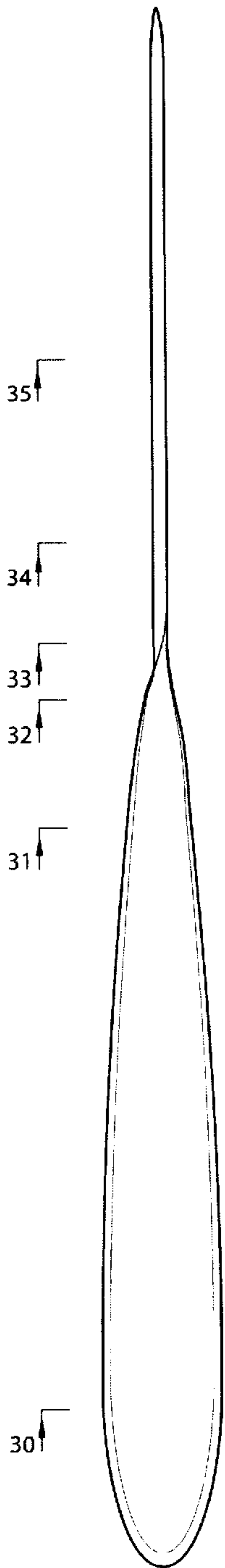


Fig.27

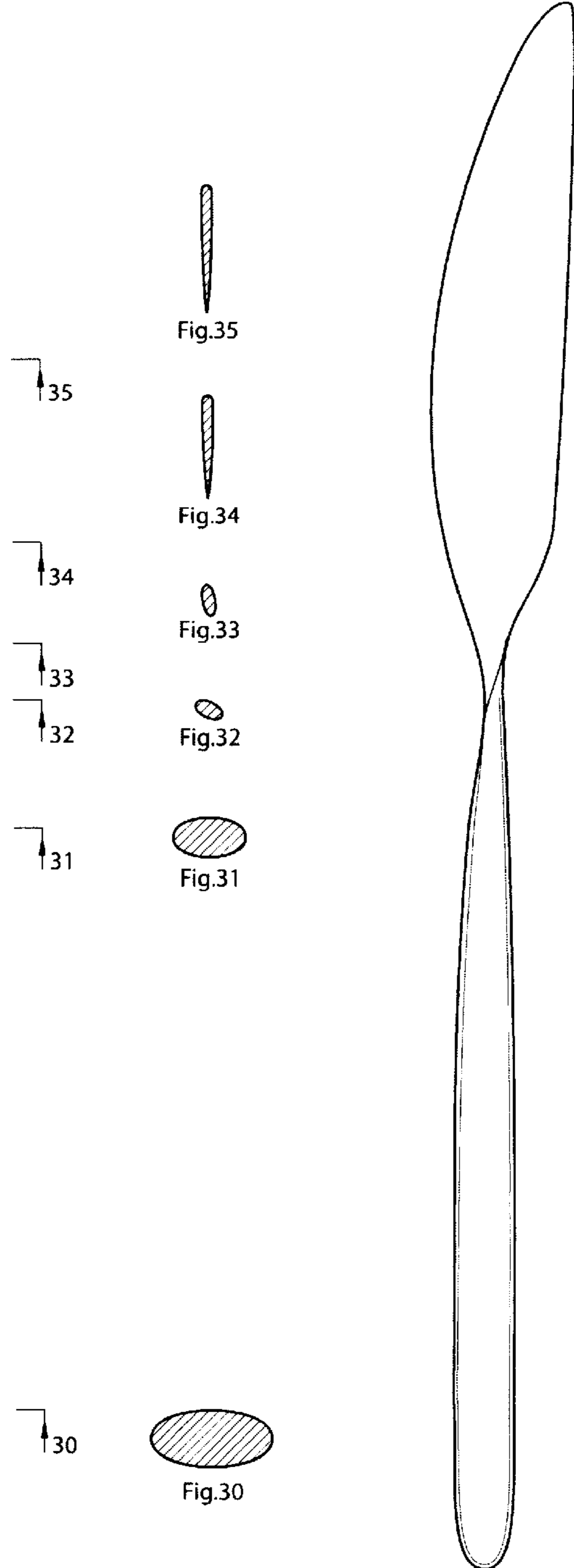


Fig.28

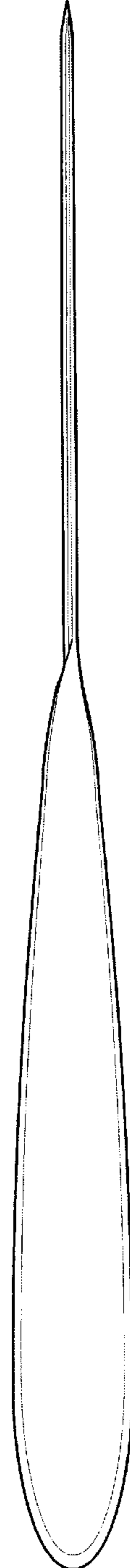


Fig.29

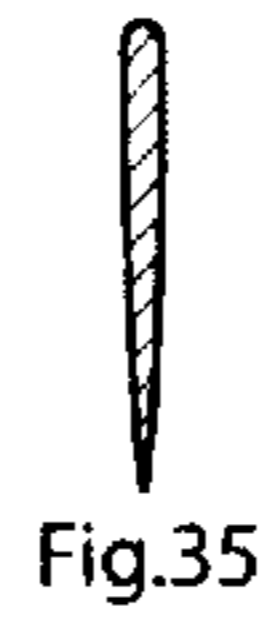


Fig.35



Fig.34

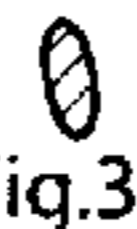


Fig.33



Fig.32



Fig.31



Fig.30

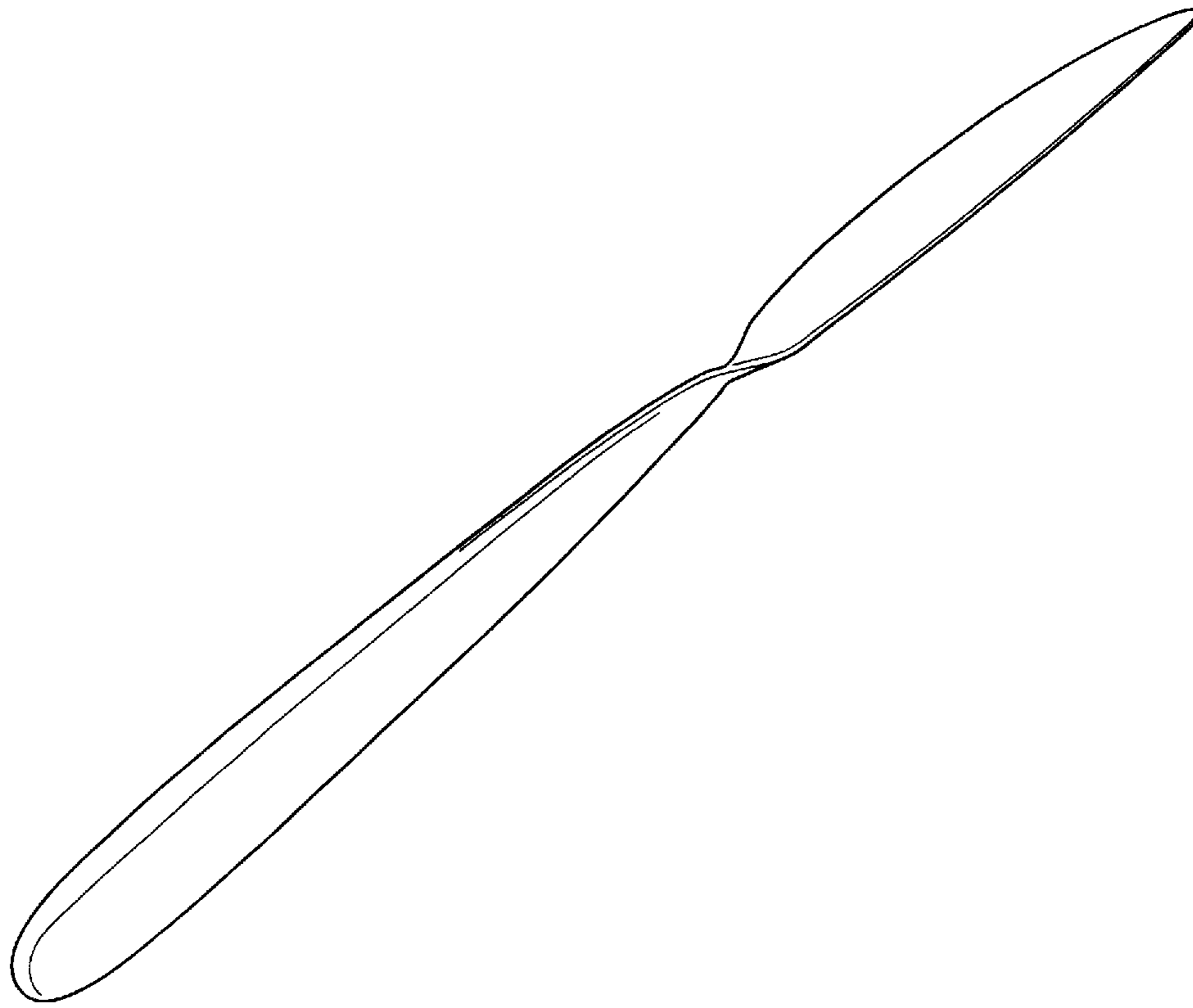


Fig.36

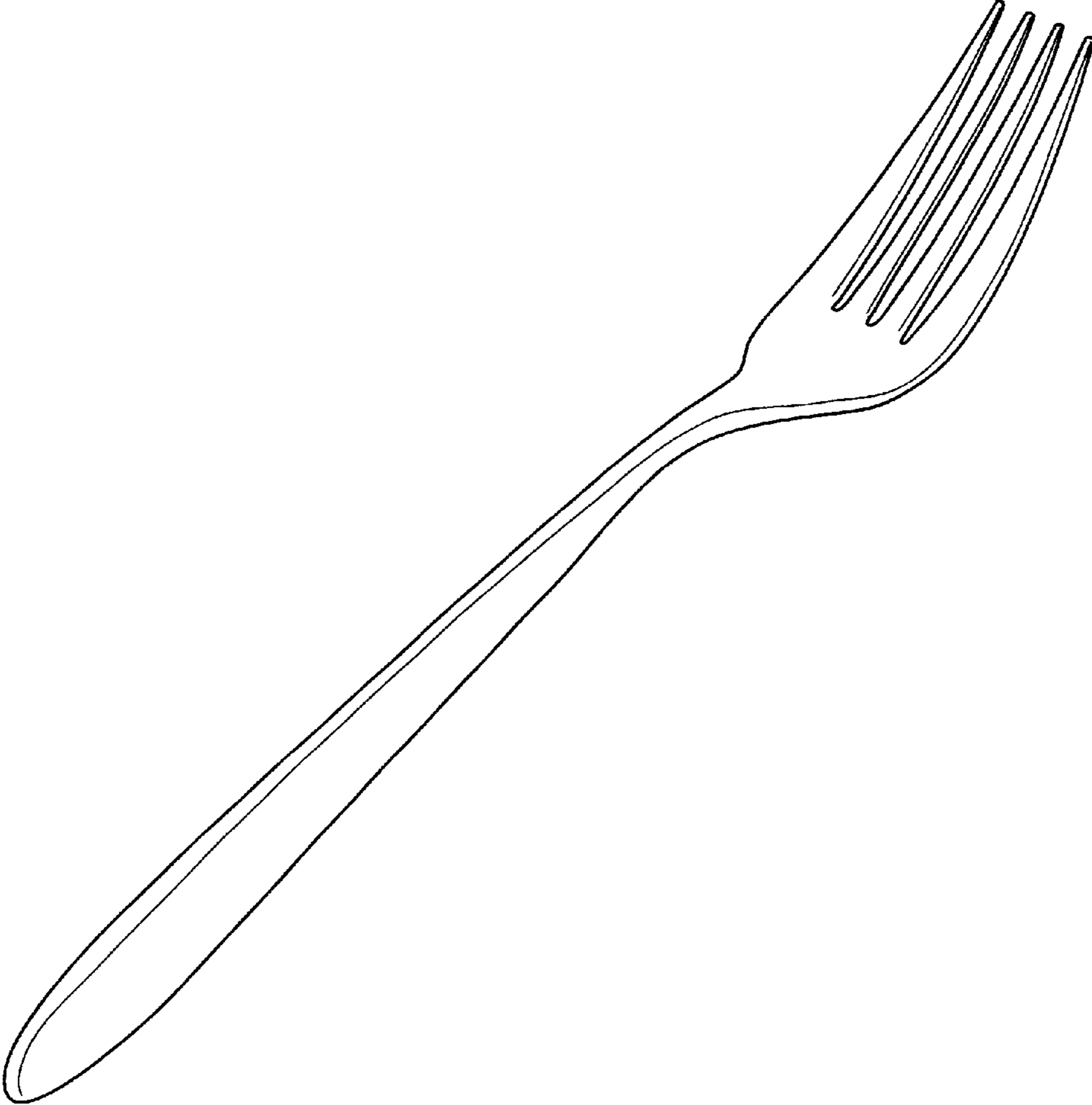


Fig.37



Fig.38